

Machine Guarding Safety Products

GK-1 Catalog | 12th edition



AD-TECH

MA CCI, INC

 **SCHMERSAL**



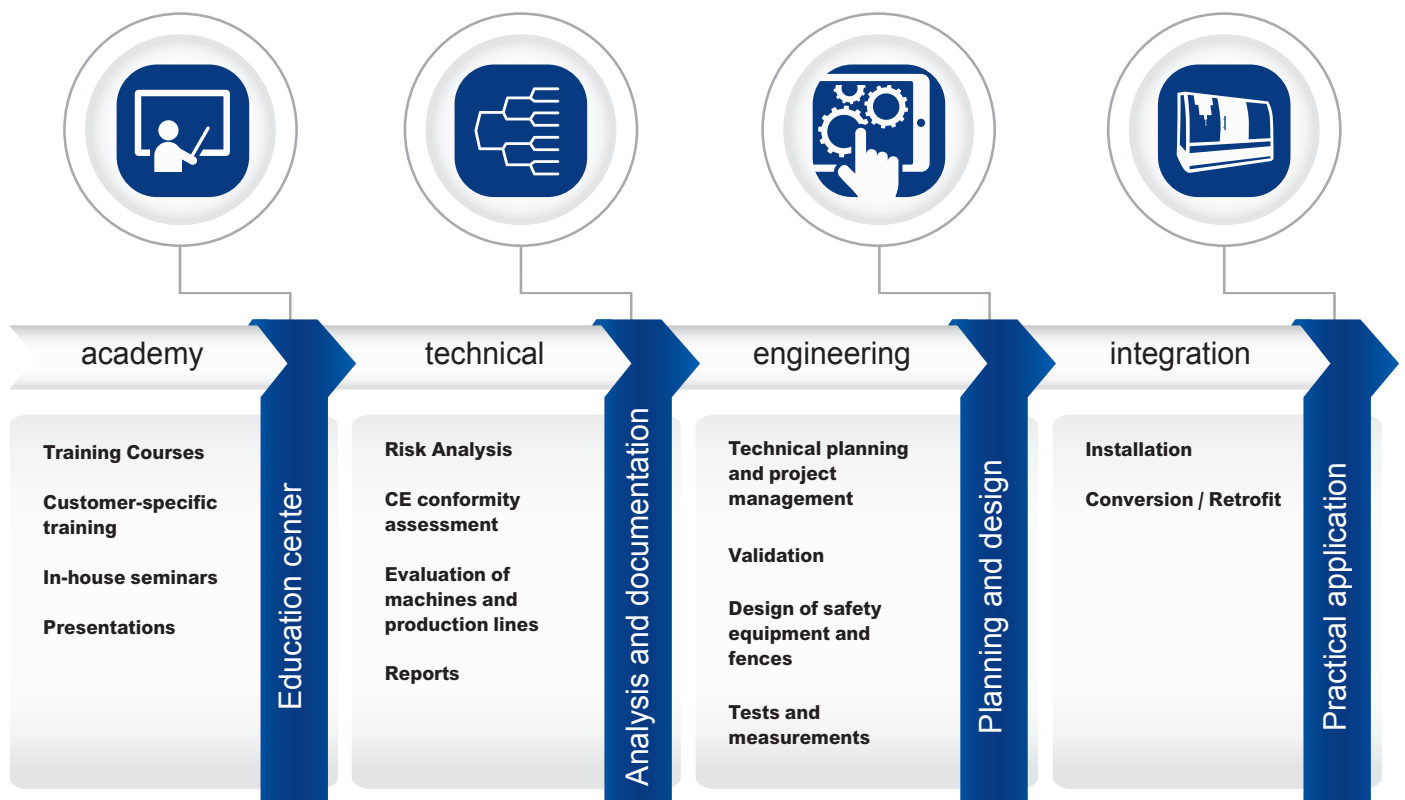
tec.nicum
excellence in safety

Safety services from Schmersal tec.nicum

Machine safety is a challenging and multi-layered topic, which presents real challenges not only to machine builders but also safety engineers. During the selection of safety equipment, consideration has to be given to technical aspects as well as applicable regulations and substantiated standards. This complexity often requires extensive specialist knowledge.

tec.nicum offers product and manufacturer-neutral consultation on important matters relating to machine safety and worker protection.

The four pillars of tec.nicum



Content

Introduction	Introduction and notices	Product overview	I-2	
		Schmersal – Safe Solutions for your industry	I-5	
		Efficient Safety: AS-I and Electronic switches	I-12	
		Innovations and new products	I-14	
Safe switching and monitoring	Guard door monitoring	Safety switches with separate actuator	1-1	
		Solenoid interlocks	1-2	
		Electronic solenoid interlocks	1-27	
		Electronic safety sensors	1-53	
		Coded magnet safety sensors	1-69	
		Safety rated limit switches	1-98	
		Safety switch for hinged guards	1-113	
		Control devices with safety function		2-1
			Pull-wire emergency stop switches	2-2
			Emergency stop pushbuttons	2-9
	Control panel		2-14	
	Enabling switches		2-22	
	Safety foot switches		2-24	
	Two-hand control panels		2-26	
	Program extension		2-30	
	Tactile safety devices		3-1	
		Safety edges	3-2	
		Safety mats	3-12	
		Program extension	3-16	
	Optoelectronic safety devices		4-1	
		Safety light grids and safety light curtains	4-2	
		Safety light barriers	4-18	
	Safety modules	Safety monitoring modules and safety control modules		5-1
			Safety Controller selection guides	5-2
			PROTECT SRB-E Controllers	5-7
			Programmable Safety Controllers	5-15
			Appendix	Reference materials
Glossary of Common Safety Terms	A-2			
Safety Standards	A-5			
Selected conversion factors	A-8			
Ingress protection ratings	A-9			
Safety distance calculations	A-10			
General Terms and Conditions of Sale	A-12			
Product index - alphabetical	A-13			

Product overview

Introduction

Guard door monitoring

Safety switches with separate actuator



as of page 1-2

Solenoid interlocks



as of page 1-27

Control devices with safety function

Pull-wire emergency stop switches



as of page 2-2

Emergency stop pushbuttons



as of page 2-9

Tactile safety devices

Optoelectronic safety devices

Safety-monitoring modules and safety control modules

Appendix

Important note!

The devices found in this catalog are intended to be selected, installed, integrated and maintained by trained professionals with an understanding of electrical mechanical principles and machine safe guarding standards to insure proper intended use for the specific application for which the product(s) are selected.

The technical information found in this catalog was reviewed and found to be current at the time of printing. However since product technical data can change it is always recommended to refer to the complete technical data found on the Schmersal website www.usa.schmersal.net there you will find the most current mounting and wiring instructions, wiring diagrams and detailed product drawings.

Introduction
Innovations and new products

as of page I-4

Electronic solenoid
interlock



as of page 1-53

Electronic and
magnetic safety
sensors



as of page 1-69

Safety rated limit
switches and Safety
switches for hinged
guards



as of page 1-113

Enabling switches
and control panel



as of page 2-14

Safety foot
switches



as of page 2-24

Two-hand control
panels



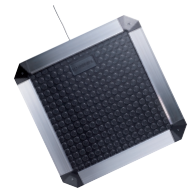
as of page 2-26

Safety edges



as of page 3-2

Safety mats



as of page 3-12

Safety light
curtains and grids



as of page 4-2

Safety light
barriers



as of page 4-18

Safety Controllers
Selection guides



as of page 5-2

Reference
Glossary, Safety
Standards, Terms and
Conditions of sale,
product index

as of page A-2

Schmersal North America

Always Available

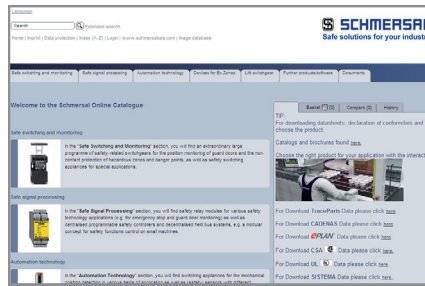
In the United States and Canada, Schmersal is represented from locations in Hawthorne, NY and Brampton, ON. From these two warehouse locations Schmersal supports and distributes products through our established distribution network. Utilizing the combination of stocking distributors and the knowledgeable engineering sales team at Schmersal, we are always available to supply products and support customer applications.

Our vast working knowledge of local and international standards has allowed Schmersal North America to lead the way in helping customers understand the requirements for specific applications. Our trained machine safety engineers are available to guide customers through the maze of safety standards that are seen today. Whether it is a simple application or a complex safety system Schmersal can help you understand the applicable safety standards to help guide you to the appropriate product selection which is best suited for your machine or process.



Schmersal USA Website
www.schmersalusa.com
www.schmersalcanada.ca

Our home page is the place to find information on local distributors, company and product news, technical articles, videos and other resources.



Online Product Catalog
www.usa.schmersal.net

The online catalog allows users to view or download technical data, declarations of conformity, test certificates, and mounting & wiring instructions - in many different languages



Application Finder
www.applicationfinder.net/us/home

Explore an interactive animated packaging plant floor to discover which Schmersal safety switching devices are optimal for the particular application.

Schmersal products are available through over 120 authorized distributors throughout the US and Canada. Check our website for the distributor in your area.

Safe Solutions for your industry

Safety in system – Protection for man and machine



Following this principle Schmersal has become a leader in the design and manufacture of safe switching products and systems for various industries. In almost every field of work or industrial application there are inherent risks and different requirements for safety for man and machine.

At Schmersal we realize that every application is different and that there are specific risks and specific environmental conditions that should be considered when selecting safe guarding products. By understanding this Schmersal has developed industry specific solutions to help guide you to the best suited product or system for your application.

Innovations

For over 70 years Schmersal has developed a reputation for the design and manufacture of reliable quality products. Today with over 25,000 products in the Schmersal product portfolio, innovation remains paramount as Schmersal continuously designs and develops products to meet the demands of the never ending evolution of industry. From precision electro-mechanical position switches to patented leading edge Pulse Echo and enhanced RFID technology, Schmersal continues to lead the way in machine safety product solutions and systems.



AZM400 Motorized Safety Bolt Lock



SLB440 Safety Light Barrier



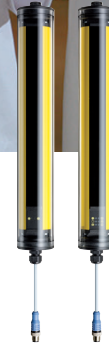
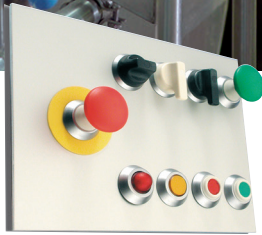
PROTECT SRB-E Electronic Safety Controllers



TESK Hinged Safety Switch

Industrial Solutions

Food



Industries

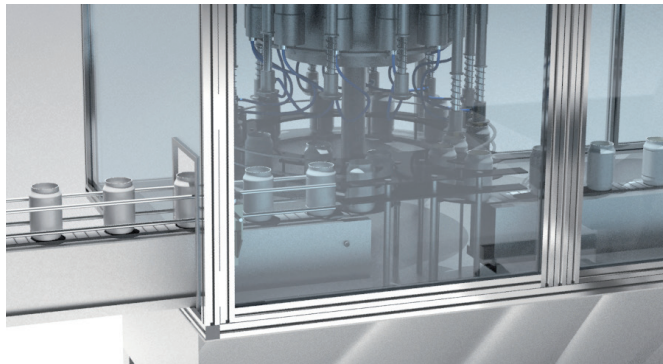
Harvesting, drying, filleting, heating, grinding, mixing, bottling and packaging: food production involves a lot of process steps, most of which are run by machines. Not only do machine safety standards and guidelines need to be followed during these processes, safety switchgear or controlgear at the human-machine interface also have to meet strict hygiene requirements. In other areas, a high degree of temperature resistance or resistance to moisture is required. Explosion protection also plays a role in the processing of powdered raw materials or products.

Products

Schmersal has developed several products which meet protection class IP69K and use stainless steel and other ECOLAB certified materials for their enclosures: The AZM300 Solenoid interlock, safety sensors like the BNS40S, CSS30S, RSS36, our Safety Light Curtain SLC420..69, and our K series of industrial grade joysticks.

Another product group dedicated to food production is the N series of command and signalling devices. They meet the requirements of EN 1672-2 (Food processing machinery: Basic concepts - Hygiene requirements), are IP69K rated, and are now certified for use in clean rooms.

Applications



Industrial Solutions Packaging



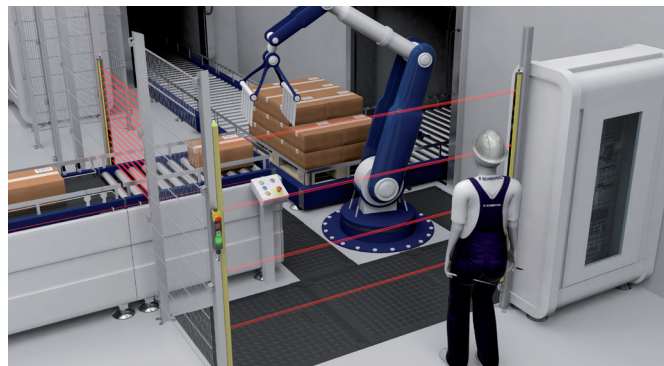
Industries

Machines and systems used in the packaging industry are often operated at high speed and with short cycle times. They are frequently part of the entire production and/or packaging lines. For this reason, guard systems should only interrupt production processes or negatively influence system productivity when absolutely necessary. They must also work with extreme accuracy on a 24/7 basis.

Products

Many safety switchgears from the Schmersal Group preferred in the packaging machine building industry are designed so that unplanned stoppages of machinery are avoided. Safety switchgears with an integrated AS safety at work interface and our compact safety control PROTECT SELECT are also often used in this industry. New and innovative solenoid interlocks such as the MZM 100 and AZM 300 were also developed with the special needs of the packaging industry in mind.

Applications



Industrial Solutions Elevators and Escalators



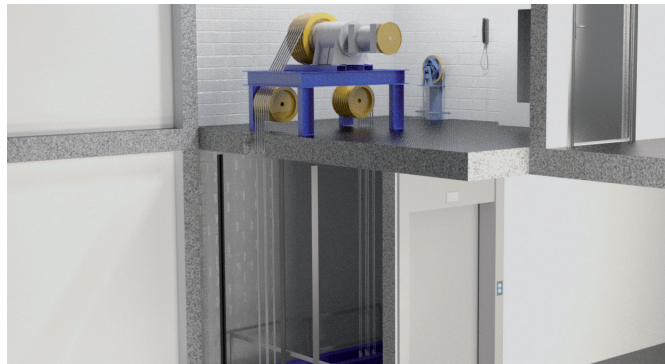
Industries

The Schmersal Group has a hand in the fact that elevators are the safest transport device in the world. For many decades now we have been one of the world's leading makers of switchgears for elevators and escalators, offering these industries a wide range of products. All lift switchgears meet relevant international requirements and operate fault-free and failproof even under adverse conditions.

Products

We have developed specific products used for locking and safely monitoring elevator doors and in the safety circuits of elevator control systems. The product line includes floor and fine-adjustment switches, positive-break door contacts, position switches, solenoid switches, emergency call systems, custom assembled top of car/ inspection control boxes, as well as the USP non-contact positioning system. We have also developed custom switchgear for special tasks such as the electric shutdown of the lift system upon actuation of the speed limiter. In addition, through the merger of Böhne & Partner with the Schmersal Group, we can offer complete control technology at the highest level of engineering and quality

Applications



Industrial Solutions Heavy industry



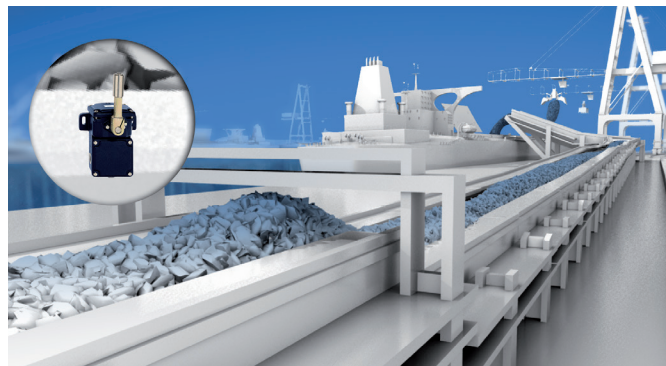
Industries

We have more than seven decades of experience with heavy industry as the Schmersal Group was originally a manufacturer of high-grade switchgear. Today our products are used everywhere where special requirements exist in difficult and harsh operating environments mining, construction machinery, ship engineering, various types of cranes and hoisting devices as well as power generation

Products

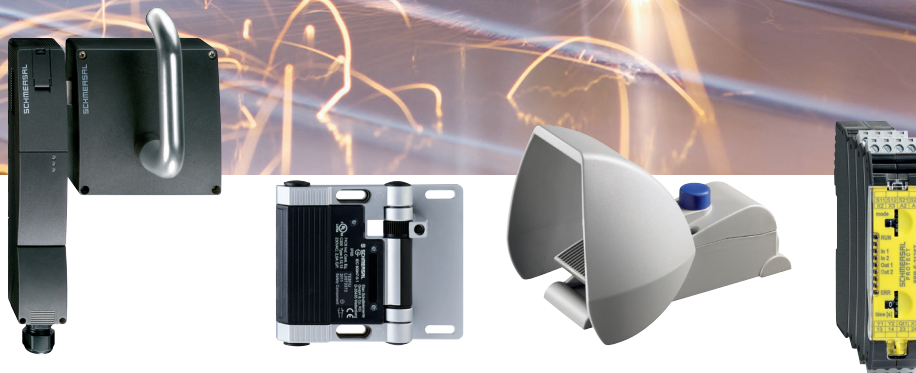
Many of the switchgears we have developed for heavy industry, differ from other series. They are very robust, oftentimes even significantly larger, and are radically designed for high durability even at extreme stresses. This product group includes our heavy position switches, foot switches, heavy-duty command devices, belt alignment switches and pull-wire emergency stop switches.

Applications



Industrial Solutions

Machine tools



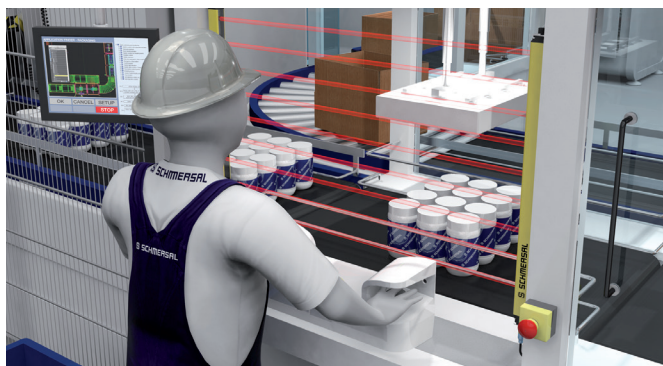
Industries

Machines in the metal processing industry operate with extremely high accuracy requirements at ever increasing speeds and need to be as flexible as possible. Safety switches used here should not affect machine productivity or flexibility. In addition, they must be easy to retrofit and must allow quick trouble-shooting. Protection against tampering must always be in the forefront.

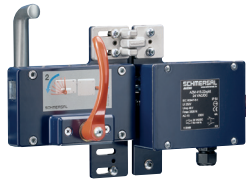
Products

Solenoid interlocks are often used in machine tool building to prevent the interruption of processes or to protect against hazards arising due to overrunning. The Schmersal Group offers a wide product range for the most diverse requirements, covering even special operating modes such as process monitoring and setting mode.

Applications



Industrial Solutions Automobile



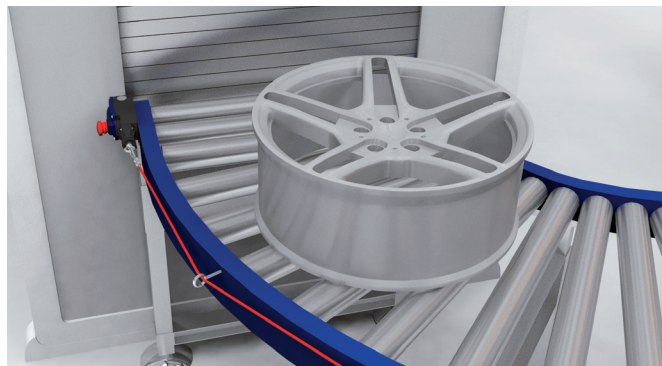
Industries

High degree of automation, interruption-free processes, high degree of standardization, great importance of factory standards: these, in brief, are the key features of automobile manufacturing in terms of machine safety. Another characteristic is the intensive use of robots and interlinked production lines.

Products

Our solenoid interlock program includes systems that were specifically developed for accessible hazardous areas and offer options such as an emergency exit with emergency handle. In the control engineering field we have also developed solutions that make it almost impossible for persons to be shut inside a hazardous area. In addition, we have extensive experience in the design of safe robot workstations with or without perimeter guarding.

Applications





AS-i Safety At Work

Safety system with simple structure



Safety with system:

This system has a simple structure: at field level, safety switchgear with integrated AS-Interface Safety at Work (AS-i Safety) interface are used. They are wired to a master-monitor combination or Safety Gateway modules, which can process up to 60 safe dual-channel input and output signals, through the cost-efficient installation system AS-Interface. The status and diagnostic signals can be processed by higher-level control systems and from there on transmitted to control or visualization systems.

This system has many distinct advantages:

- Scalable safety solution for different machine sizes
- Smooth, fail-safe installation
- Drag & Drop configuration of the system through the ASIMON software
- Complete diagnostics of the entire safety circuit by the control system
- High operational safety through individually configurable safety-monitoring modules
- The safety functions can be effortlessly changed or extended at a later date.
- Cost-advantageous versus parallel wiring
- Complete solutions including all accessories
- Certified up to PL/c category 4 or SIL 3

AS-i Safety as basis

The basis of the Schmersal System are the tried-and-tested safety switchgear with integrated AS-i safety interface. All essential ranges of the Schmersal program are available with AS-i nodes - for instance:

- Keyed interlock switches
- Solenoid interlocks
- Safety sensors
- Emergency stop button
- Control panels
- Pull-wire emergency stop switches
- Safety foot switches.

If the desired safety switchgear is not available with integrated AS-i Safety interface, it can be simply integrated into the AS-i Safety circuit through an external input module.



More information on this system is available in our **Schmersal - system solution** catalog or online at www.usa.schmersal.net.



Efficient Safety: Electronic safety devices

Safety with system:

Increased productivity has always been a major focus of real world industrial applications. Machine start up, troubleshooting, and maintenance requirements are definite costs that must be considered and minimized in order to reduce downtime and improve efficiency – and today it needs to be done while preserving the highest level of machine safety. As a leader in the world of machine safety, Schmersal realizes efficient safety is an important consideration of the design engineer and maintenance personnel.

Our latest electronic safety devices are a key in achieving efficient machine safety. At the heart of these devices is an integrated dual monitoring microprocessor which provides continuous internal function tests. Because of this, only one switch is needed per guard to meet the requirements of the highest level of safety – PLe per ISO 13849-1 or SIL3 per IEC 62061. They maintain these safety levels even when wired in series (up to 200 meters), which results in reduced cabling expense and installation time. They feature LEDs for status indication to quickly troubleshoot faults which reduces machine downtime. These devices are often available with Serial Diagnostic to communicate status via serial data packages for use in various network protocols.

Sensing technologies

Pulse Echo is a Schmersal-patented non-contact microprocessor-based technology. As the actuator approaches the sensor, the sensor excites the actuator at a predetermined resonant frequency and the reads back the actuator oscillation. The sensor evaluates the actuator frequency and its distance to the actuator. Identification of the actuator is interpreted as a closed guard by the safety sensor, and the safety outputs are enabled. Pulse Echo is used in our CSS sensors, AZ200 keyed interlock, AZM200 solenoid lock, and MZM100 electromagnetic lock

Our RSS sensors, AZM300, and AZM400 use enhanced Radio Frequency Identification (RFID) technology. This RFID system operates on a unique frequency, so sensors will disregard non-actuator RFID signals and the passive RFID tag in the actuator will not interfere with other RFID systems such as product trackers. The RFID system is also difficult to by-pass because actuators are individually coded: The basic version of the sensor responds to any RST target actuator; The “I1” version only accepts the coded ID number of the specific target actuator which is taught in during the first start-up; The “I2” version allows the teach-in process to be repeated, allowing replacement of a lost or damaged actuator.

The non-contact operating principle of these two systems limits wear since components do not move against each other. The sensors are also tolerant of gaps and misalignments. Since the sensors and actuators are matched pairs, the technology is highly tamper resistant to ISO14119.



More information on this system is available in our **Electronic Safety Sensors and Solenoid Interlocks** catalog or online at www.usa.schmersal.net.

Innovations and new products for 2017



Installation accessories

Passive distribution module PDM:

The passive distribution module PDM is small and compact, can be mounted easily in existing terminal boxes and is especially suitable for higher demands in hygiene with food and packaging machines.

- Can be configured easily via DIP switches
- Spring-type terminals for simple and low-cost installation
- Compact design with a width of only 45 mm on the profile rail

Passive field box PFB:

The passive field box PFB is a plug & play solution for multiple areas of applications.

- Mixed series connection possible of up to 4 electronic safety sensors or solenoid interlocks with M12, 8-pin connectors, per box
- Robust IP67 version for installation in the field
- Compact field box with dimensions 63 mm x 156 mm



Joysticks

The new intermediate switches of the NK / RK series have a diverse range of applications: The NK version is suitable for the food processing industry thanks to its hygiene-orientated design. The RK intermediate switches, on the other hand, are ideal for use in outdoor areas and under inclement weather conditions, e. g. for systems in processing technology, aeroplane tractors or elevating work platforms.

A special feature of the NK / RK series is the new sealing system: Should there be a defect in the boot, fluid is passed through the device without the device being damaged. This contributes towards greater system availability.

- High levels of protection with IP69K and IP67
- Easily to clean thanks to hygienic design
- Quick to install with central nut and M12 plug connection



Programmable Safety Controller

The PSC1 is the latest generation of fully programmable safety controller.

- Safe logic control according to the Machinery Directive 2006/42/EC
- Safe axis monitoring according to EN 61800-5-2 for up to 12 axes
- Universal communication module:
 - Supports standard field bus systems including the safety protocols with only one hardware
 - Setting and resetting the field bus protocols by software
 - Safety protocols are enabled by a Safety Protocol Card
 - integrated, local, safe communication (Ethernet SDDC) for connecting safe remote IOs and for a safe cross-communication
- Integrated Schmersal SD Bus connection including gateway functionality to standard field bus systems
- Acceptance of safety functionality SIL 3 according to IEC 61508 / IEC 62061, PL e and Cat 4 according to EN ISO 13849-1, EN 50178.

Solenoid interlock with integrated RFID sensor

The new AZM201 is similar in design to the AZM200, but uses RFID which makes individual coding possible (coding stage "high" in accordance with ISO 14119).

Owing to the large actuator inlet, the solenoid interlocks AZM201 are capable of compensating for a vertical offset between the actuating element and locking mechanism. This simplifies assembly and reduces the amount of time required for maintenance and adjustment of the protection device.

- Fewer additional measures necessary to prevent overriding locking devices, such as positioning out of reach or in a concealed position
- Three different coding levels from family coded to individually coded
- Suitable for applications up to Cat. 4 / PL e / SIL 3

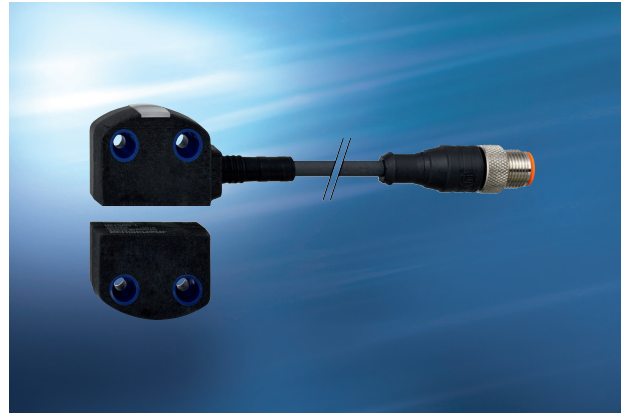


Compact safety sensor with prewired cable with connector end (LST)

The RSS260 is one of the smallest RFID safety sensors available on the market and can be deployed in a variety of ways on account of its small size and variety of target actuators. With its very small dimensions (40 x 18 x 30 mm), it is suitable not only for installation on aluminium profiles but can also be used with many other door formats such as Plexiglas doors and panels.

Now, the RSS260 can be supplied with a connection cable with M12 plug – thereby facilitating simple connection even in areas that are difficult to reach.

- Enhanced protection against tampering to ISO 14119 through RFID technology
- Informative diagnosis function enhances availability
- Suitable for applications up to Cat. 4 / PL e / SIL 3



Solutions for your industry.



Application Finder

www.applicationfinder.net/us/home/

The Application Finder displays an interactive animated packaging plant floor. Users can click on one of the work areas which will open a window with a selection of Schmersal safety switching devices that are optimal for the particular application.

Each selection ultimately links to the Schmersal online product catalog website, where users can see technical data on the selected components.

There are many product-specific animations available throughout, explaining the operation of the switch or providing recommendations for the integration of safety technology into the processes of the machine.

Also available as an app for the iPad.
Download from iTunes: search *Schmersal*

Safe switching and monitoring
Safety switch with separate actuator



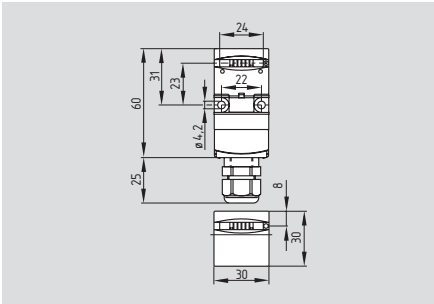
Keyed interlock switches are used on sliding, hinged and removable guard doors that must be closed for operator safety. It is a two part system consisting of a switch body, mounted to the guard frame, and a separate actuator key, mounted to the door.

Models are available in a several mounting profiles and housing materials. Each model has a variety of actuator key options: straight, right angle mounting, floating head, and keys integrated into door handle assemblies.

Thermoplastic housing	
AZ17	1-2
AZ15	1-7
AZ16	1-8
TZG	1-14
Metal housings	
AZ3350	1-16
AZ415	1-21
Door handle actuators	
AZ17-B25	1-6
AZ16-ST30	1-11
AZ3350-ST30	1-18
AZ200	1-20
AZ415-ST30	1-25
Further products and program extensions	1-26

Safety switch with separate actuator

AZ 17



- Thermoplastic enclosure
- Small body
- Long life
- Double insulated □
- Including cable gland M16
- Slot sealing plug included
- High level of contact reliability with low voltages and currents
- Not sensitive to dirty conditions by virtue of patented roller system
- 8 actuating planes
- Cut clamp terminals (IDC method) or connector
- EX version available

Technical data

Standards: IEC/EN 60947-5-1
BG-GS-ET-15
Enclosure: glass fiber reinforced thermoplastic, self-extinguishing
Actuator: stainless steel 1.4301
Protection class: IP67 to EN 60529
Contact material: silver
Contact type: change-over contact with double break, type Zb or 2 NC contacts, with galvanically separated contact bridges

Switching principle: ⊖ IEC 60947-5-1 slow action, NC contact with positive break
Connection: cut clamp terminals (IDC method) or connector M12, 4-pole

Cable section: 0.75 - 1.0 mm², flexible
U_{imp}: 4 kV
U_i: 250 V
I_{the}: 10 A
Utilization category: AC-15
I_e/U_e: 4 A / 230 VAC
Max. fuse rating: 6 A gG D-fuse
Positive break travel: 11 mm
Positive break force: 17 N for each NC contact fitted

Ambient temperature: -30 °C ... +80 °C
Mechanical life: > 1 million operations
Latching force: 30 N for ordering suffix R

Classification:
Standards: EN ISO 13849-1
B_{10d} (NC): 2,000,000
B_{10d} (NO): 1,000,000
for max. 10% ohmic contact load

Mean time to failure: 20 years

$$MTTF_d = \frac{B_{10d}}{0,1 \times n_{op}} \quad n_{op} = \frac{d_{op} \times h_{op} \times 3600 \text{ s/h}}{t_{cycle}}$$

Contact variants

1 NO / 1 NC

2 NC

Connector
1 NO / 1 NC

2 NC



Front cable output
1 NO / 1 NC

2 NC

Rear cable output
1 NO / 1 NC

2 NC

Approvals

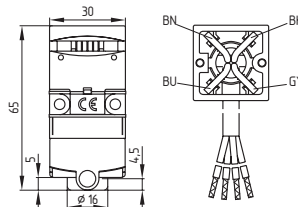


Ordering details

AZ 17-①Z②K-③-④-⑤

No.	Option	Description
①	11 02	1 NO / 1 NC 2 NC
②	R	Latching force 5 N Latching force 30 N
③	2243	Cable gland M16 front
	2243-1	rear
	ST	Connector M12
④	1637	Gold-plated contacts
⑤	5M 6M	Cable length 5 m Cable length 6 m

Note



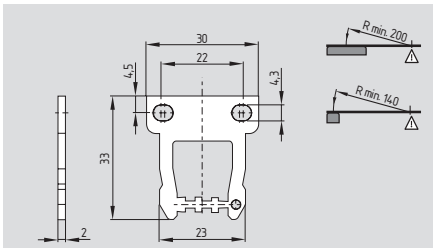
- Front cable output, ordering suffix -2243
- Rear cable output, ordering suffix -2243-1

Note

Actuators must be ordered separately.

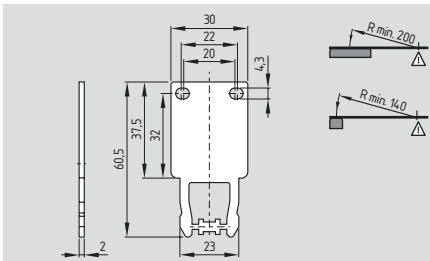
Safety switch with separate actuator

System components



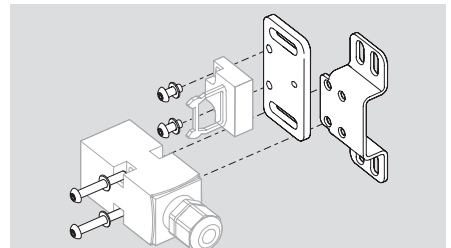
Straight actuator AZ 17/170-B1

System components

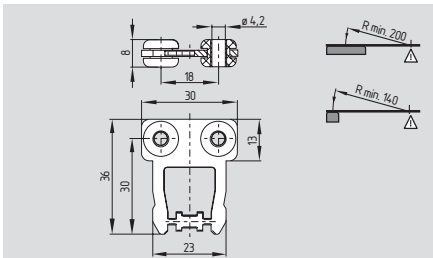


Long straight actuator AZ 17/170-B11

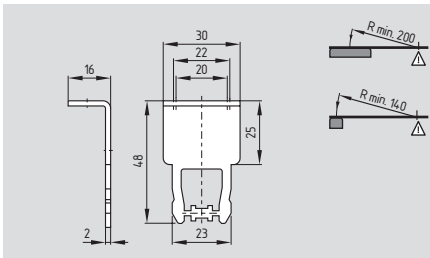
System components



Mounting set MS AZ 17



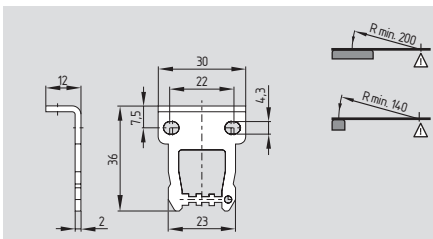
With rubber mounting AZ 17/170-B1-2245



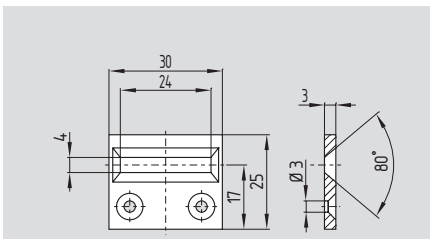
Long angled actuator AZ 17/170-B15



Connector plug



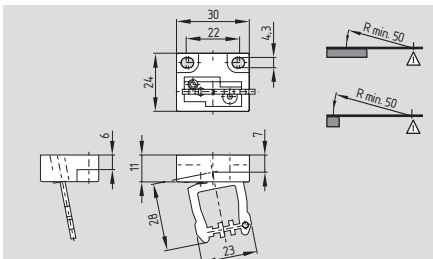
Angled actuator AZ 17/170-B5



Centering guide AZM 170-B



Tamperproof screws



Flexible actuator AZ 17-B6

Ordering details

Straight actuator **AZ 17/170-B1**
 with rubber mounting **AZ 17/170-B1-2245**
 Angled actuator **AZ 17/170-B5**
 Flexible actuator **AZ 17-B6**

Ordering details

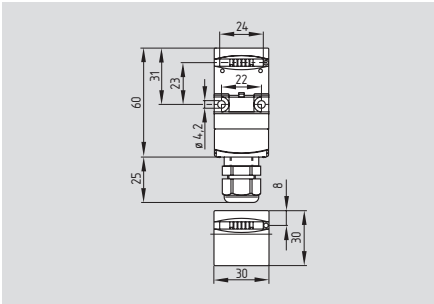
Long straight actuator **AZ 17/170-B11**
 Long angled actuator **AZ 17/170-B15**
 Centering guide **AZM 170-B**
 Centering device
 Mounting outside **TFA-020**
 Mounting inside **TFI-020**
 (Product information see page 1-52)

Ordering details

Mounting set **MS AZ 17 P**
MS AZ 17 R/P
 Connector plug M12, 4-pole
 without cable **101209950**
 with cable 5 m **101208523**
 Tamperproof screws with
 unidirectional slots M4 x 8
 (Quantity 2 pcs) **101147463**

Safety switch with separate actuator

AZ 17-...I



- With individual coding, up to 200 combinations
- Thermoplastic enclosure
- Small body
- Long life
- Double insulated □
- Including cable gland M16
- Slot sealing plug included
- High level of contact reliability with low voltages and currents
- Not sensitive to dirty conditions by virtue of patented roller system
- 8 actuating planes
- Cut clamp terminals (IDC method) or connector

Technical data

Standards: IEC/EN 60947-5-1
BG-GS-ET-15

Enclosure: glass fiber reinforced thermoplastic, self-extinguishing

Actuator: stainless steel 1.4301

Protection class: IP67 to EN 60529

Contact material: silver

Contact type: change-over contact with double break, type Zb or 2 NC contacts, with galvanically separated contact bridges

Switching principle: ⊖ IEC 60947-5-1 slow action, NC contact with positive break

Connection: cut clamp terminals (IDC method) or connector M12, 4-pole

Cable section: 0.75 - 1.0 mm², flexible

U_{imp} : 4 kV

U_i : 250 V

I_{the} : 10 A

Utilization category: AC-15

I_g/U_e : 4 A / 230 VAC

Max. fuse rating: 6 A gG D-fuse

Positive break travel: 11 mm

Positive break force: 17 N for each NC contact fitted

Ambient temperature: -30 °C ... +80 °C

Mechanical life: > 1 million operations

Latching force: 30 N for ordering suffix R

Classification:

Standards: EN ISO 13849-1

B_{10d} (NC): 2,000,000

B_{10d} (NO): 1,000,000

for max. 10% ohmic contact load

Mission time: 20 years

$MTTF_d = \frac{B_{10d}}{0,1 \times n_{op}}$ $n_{op} = \frac{d_{op} \times h_{op} \times 3600 \text{ s/h}}{t_{cycle}}$

Contact variants

1 NO / 1 NC

2 NC

Connector

1 NO / 1 NC

2 NC



Approvals



Ordering details

AZ 17-1Z2I-3-4-5

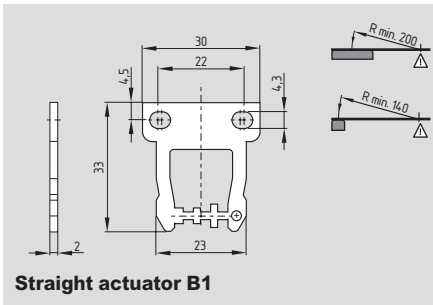
No.	Option	Description
①	11 02	1 NO / 1 NC 2 NC
②	R	Latching force 5 N Latching force 30 N
③	ST	Cable gland M16 Connector M12
④	B1 B5 B6L B6R	Incl. actuator B1 Incl. actuator B5 Incl. actuator B6L Incl. actuator B6R
⑤	1637	Gold-plated contacts

Note

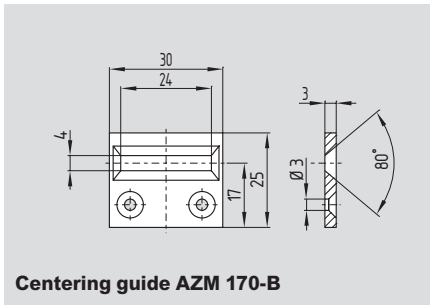
The part number of the actuator is appended to the part number of the switch. The actuators are **not individually** available.

Safety switch with separate actuator

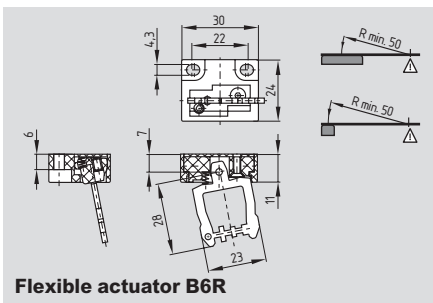
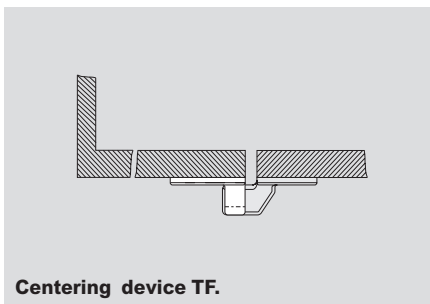
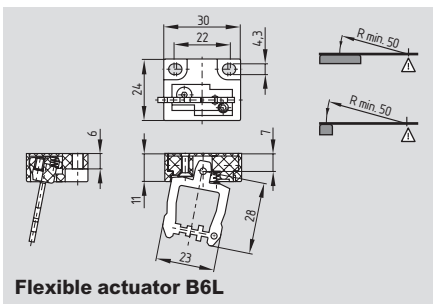
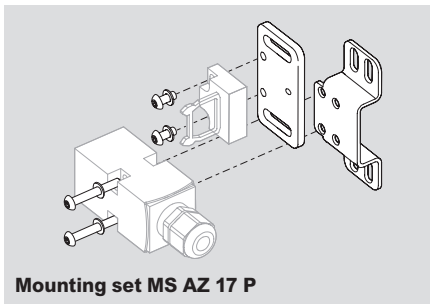
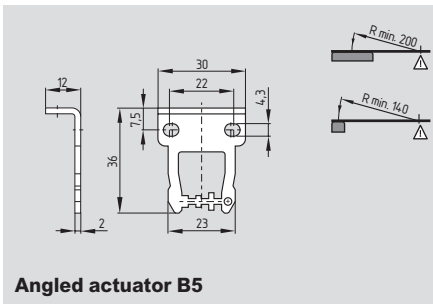
System components



System components



System components



Ordering details

Straight actuator
 Angled actuator
 Flexible actuator left
 Flexible actuator right

B1 Centering guide
B5 Mounting set
B6L
B6R **Centering device**

AZM 170-B
MS AZ 17 P
MS AZ 17 R/P
TFA-020
TFI-020
 Mounting outside
 Mounting inside
 (Product information see page 1-52)

Ordering details

Connector plug M12, 4-pole
 without cable
 with cable 5 m

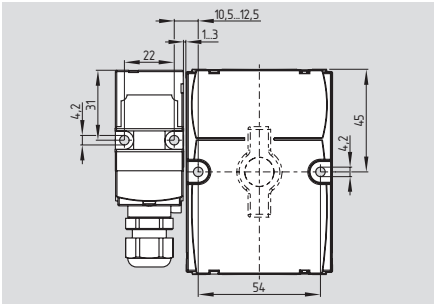
101209950
101208523

Tamperproof screws with
 unidirectional slots M4 x 8
 (Quantity 2 pcs)

101147463

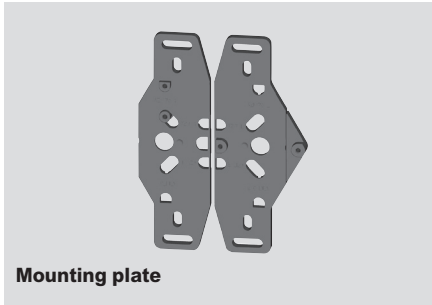
Safety switch with separate actuator

Actuator AZ 17-B25

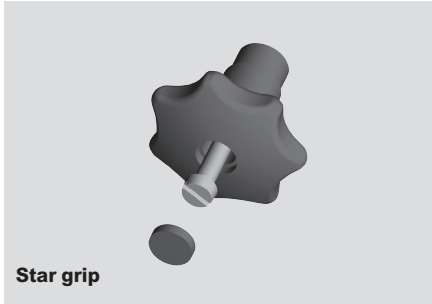


- Door-handle actuator for safety switches with separate actuator AZ 17-...ZRK (latching)
- Ergonomic operation
- No supplementary door-handle required
- No protruding actuator
- Simple mounting
- Several door-handles available
- Possibility to mount custom handles using a default square screw (8mm)
- Mounting plate for fitting to standard profiles optionally available

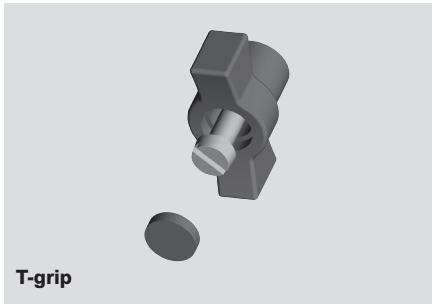
System components



Mounting plate



Star grip



T-grip

Note

The safety switch or solenoid interlock is not included in delivery and must be ordered separately.

Please note that you need a device with latching (R).

The technical data of the AZ 17-...ZRK safety switch can be found in this main catalog page 1-2 or in the online catalog at www.usa.schmersal.net

Approvals



Ordering details

AZ 17-B25-①-②

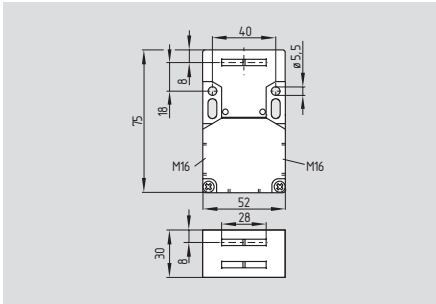
No.	Option	Description
①	L	Door hinge left
	R	Door hinge right (View directed towards the inside of the hazardous area)
②	G0	Actuator without handle
	G1	Star grip
	G2	T-grip

Ordering details

Mounting plate	MP AZ 17/170-B25
Star grip	G1
T-grip	G2

Safety switch with separate actuator

AZ 15



- Long life
- Multiple coding
- Thermoplastic enclosure
- Double insulated
- 3 cable entries M20
- Large wiring compartment
- High level of contact reliability with low voltages and currents
- Not sensitive to dirty conditions by virtue of patented roller system
- Slotted holes for adjustment, circular holes for location

Technical data

Standards: IEC/EN 60947-5-1
 BG-GS-ET-15

Enclosure: glass fiber reinforced thermoplastic, self-extinguishing

Actuator: stainless steel 1.4301

Protection class: IP67 to EN 60529

Contact material: silver

Contact type: 1 NC contact

Switching principle: \ominus IEC 60947-5-1 slow action, NC contact with positive break

Connection: screw terminals or connector M12, 4-pole

Cable section: max. 2.5 mm² min. 0.25 mm² (incl. conductor ferrules)

Cable entry: 3 x M20

U_{imp} : 6 kV

U_i : 500 V

I_{the} : 10 A

Utilization category: AC-15, DC-13

I_e/U_e : 4 A / 230 VAC
 4 A / 24 VDC

Max. fuse rating: 6 A gG D-fuse

Positive break travel: 8 mm

Positive break force: 10 N for each NC contact fitted

Ambient temperature: -30 °C ... +80 °C

Mechanical life: > 1 million operations

Latching force: 30 N for ordering suffix R

Actuating speed: max. 2 m/s

Max. switching frequency: 4,000 operations/h

Classification:

Standards: EN ISO 13849-1

B_{10d} NC: 2,000,000

B_{10d} NO: 1,000,000

for max. 10% ohmic contact load

Mission time: 20 years

$MTTF_d = \frac{B_{10d}}{0,1 \times n_{op}}$ $n_{op} = \frac{d_{op} \times h_{op} \times 3600 \text{ s/h}}{t_{cycle}}$

Contact variants



Approvals



Ordering details

AZ15-ZV①K-②-③

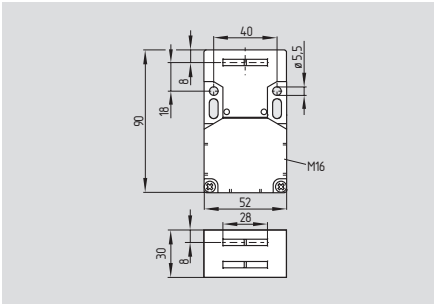
No.	Option	Description
①	R	Ejection force Latching force 30 N
②	ST	Cable entry M20 Connector M12
③	2254	Latching force 5 N
	1762	Front mounting
	1637	Gold-plated contacts

Note

Actuators must be ordered separately.
 see page 1-9 for actuators

Safety switch with separate actuator

AZ 16



- Thermoplastic enclosure
- Long life
- Double insulated □
- 3 cable entries M20
- Large wiring compartment
- High level of contact reliability with low voltages and currents
- Not sensitive to dirty conditions by virtue of patented roller system
- Available with LED
- Slotted holes for adjustment, circular holes for location
- EX version available
- AS-Interface Safety at Work available

Approvals



Ordering details

AZ16-①ZV②K-③-④-⑤

No.	Option	Description
①		1 NO / 1 NC
	02	2 NC
	03	3 NC
	12	1 NO / 2 NC
②	R	Ejection force 30 N
	G24	With LED
④		Cable entry M20
	M16	Cable entry M16
	ST	Connector M12 bottom
	STL	Connector M12 left
	STR	Connector M12 right

Technical data

Standards: IEC/EN 60947-5-1
BG-GS-ET-15

Enclosure: glass fiber reinforced thermoplastic, self-extinguishing

Actuator: stainless steel 1.4301

Protection class: IP67 to EN 60529

Contact material: silver

Contact type: change-over contact with double break, type Zb or 2 NC or 3 NC contacts, with galvanically separated contact bridges

Switching principle: ⊖ IEC 60947-5-1 slow action, NC contact with positive break

Connection: screw terminals or connector M12, 4-pole

Cable section: max. 2.5 mm² min. 0.25 mm² (incl. conductor ferrules)

Cable entry: 3 x M20

U_{imp}: 6 kV

U_i: 500 V

I_{the}: 10 A

Utilization category: AC-15, DC-13

I_e/U_e: 4 A / 230 VAC
4 A / 24 VDC

Max. fuse rating: 6 A gG D-fuse

Positive break travel: 8 mm

Positive break force: 10 N for each NC contact fitted

Ambient temperature: -30 °C ... +80 °C

Mechanical life: > 1 million operations

Latching force: 30 N for ordering suffix R

Actuating speed: max. 2 m/s

Max. switching frequency: 4,000 operations/h

Classification:

Standards: EN ISO 13849-1

B_{10d} (NC): 2,000,000

B_{10d} (NO): 1,000,000

for max. 10% ohmic contact load

Mission time: 20 years

$$MTTF_d = \frac{B_{10d}}{0,1 \times n_{op}} \quad n_{op} = \frac{d_{op} \times h_{op} \times 3600 \text{ s/h}}{t_{cycle}}$$

Contact variants

1 NO / 1 NC

2 NC

3 NC

1 NO / 2 NC

Connector 1 NO / 1 NC



2 NC

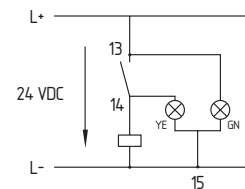
Ordering details

AZ16-①ZV②K-③-④-⑤

No.	Option	Description
⑤	2254	Latching force 5 N
	1762	Front mounting
	1637	Gold-plated contacts

Note

Actuators must be ordered separately.

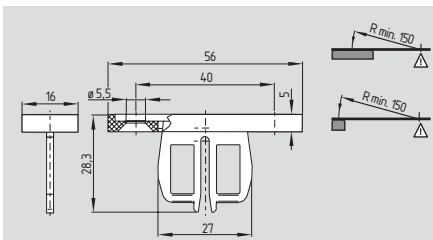


LED version:

Ordering suffix G24, only available for version with one NO and one NC contact. Protected against incorrect polarity and voltage spikes.

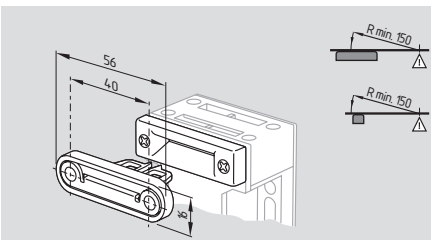
Safety switch with separate actuator

System components



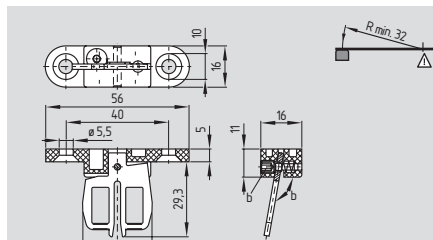
Straight actuator AZ 15/16-B1

System components

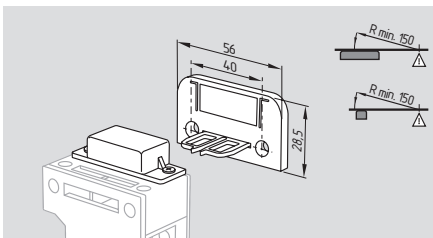


AZ 15/16-B1-2177 with centering guide

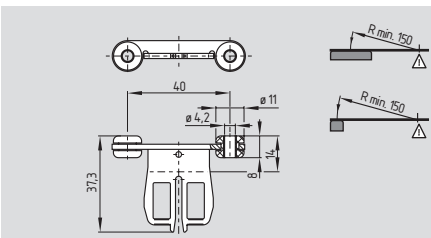
System components



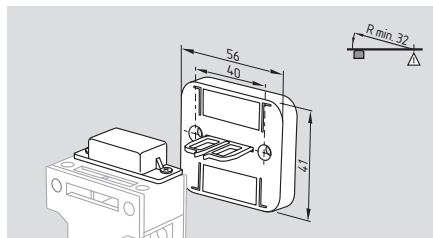
Flexible actuator AZ 15/16-B3



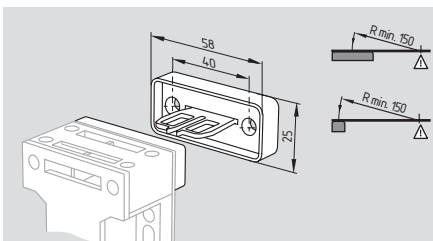
AZ 15/16-B1-1747 with magnetic latch



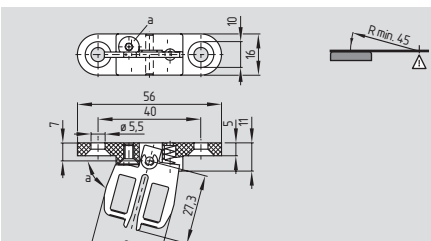
AZ 15/16-B1-2245 with rubber mounting



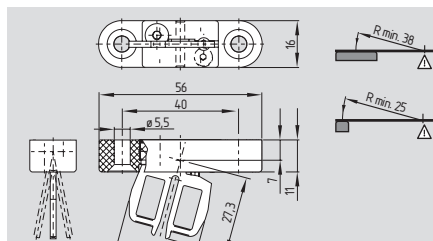
AZ 15/16-B3-1747 with magnetic latch



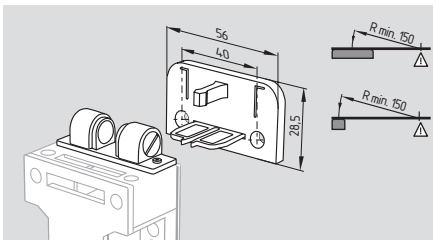
AZ 15/16-B1-2024 with slot lip-seal



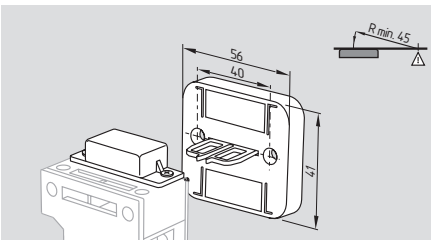
Flexible actuator AZ 15/16-B2



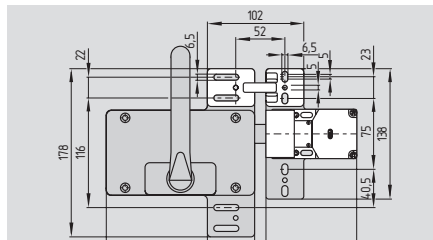
Flexible actuator AZ 15/16-B6



AZ 15/16-B1-2053 with ball latch



AZ 15/16-B2-1747 with magnetic latch



Actuator AZ 16-STS30

Ordering details

Straight actuator with magnetic latch
with slot lip-seal
with ball latch

AZ 15/16-B1
AZ 15/16-B1-1747
AZ 15/16-B1-2024
AZ 15/16-B1-2053

Straight actuator with centering guide with rubber mounting
Flexible actuator with magnetic latch

AZ 15/16-B1-2177
AZ 15/16-B1-2245
AZ 15/16-B2
AZ 15/16-B2-1747

Ordering details

Flexible actuator with magnetic latch
Flexible actuator with centering guide

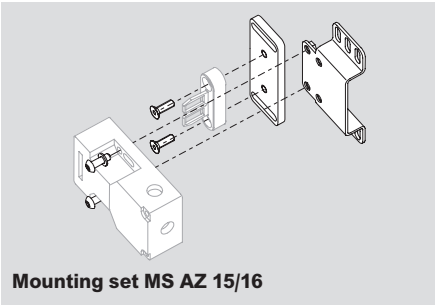
AZ 15/16-B3
AZ 15/16-B3-1747
AZ 15/16-B6
AZ 15/16-B6-2177

Door handle actuator with or without emergency handle
A detailed product description can be found on page 1-11

AZ 16-STS30

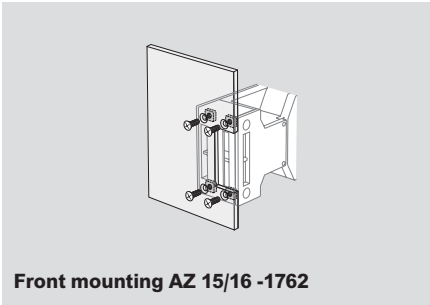
Safety switch with separate actuator

System components

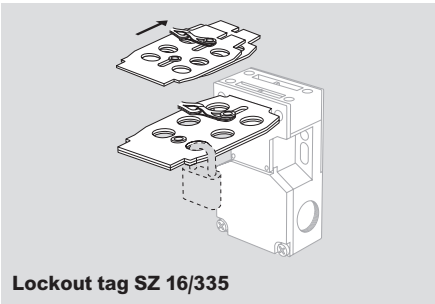


Mounting set MS AZ 15/16

System components



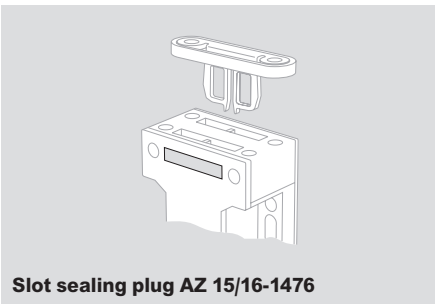
Front mounting AZ 15/16 -1762



Lockout tag SZ 16/335



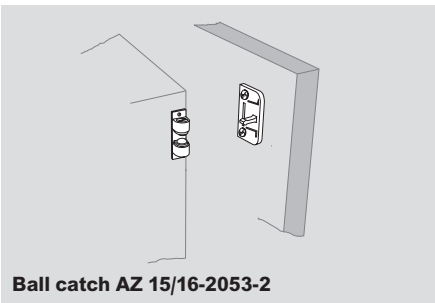
Connector plug



Slot sealing plug AZ 15/16-1476



Tamperproof screws



Ball catch AZ 15/16-2053-2



AZ15/16-B1-KRH

Ordering details

Mounting set	MS AZ 15/16 P
	MS AZ 15/16 R/P
Lockout tag	SZ 16/335
Slot sealing plug	AZ 15/16-1476
Ball catch	AZ 15/16-2053-2

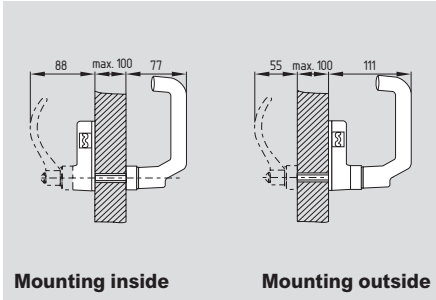
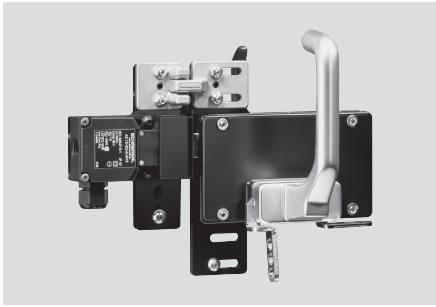
Ordering details

Front mounting with M5 nuts	-1762
Connector plug M12, 4-pole without cable	101209950
with cable 5 m	101208523
Connector plug M12, 8-pole with cable 5 m	103011412
Tamperproof screws with unidirectional slots	
M5 x 12	101135338
M5 x 16	101135339
M5 x 20	101135340
(Quantity 2 pcs)	

Key removal handle assembly **AZ15/16-B1-KRH**

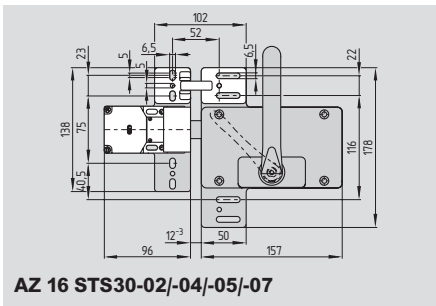
Safety switch with separate actuator

AZ 16-ST30-...

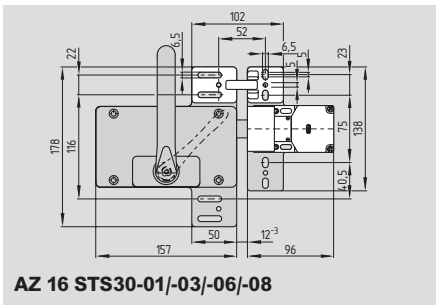


Mounting inside

Mounting outside



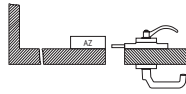
AZ 16 STS30-02/-04/-05/-07



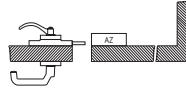
AZ 16 STS30-01/-03/-06/-08

System variants

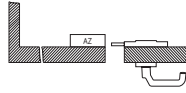
AZ 16-ST30-01



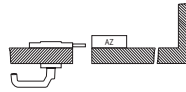
AZ 16-ST30-02



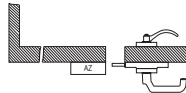
AZ 16-ST30-03



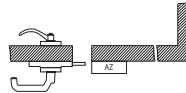
AZ 16-ST30-04



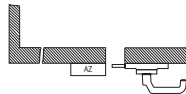
AZ 16-ST30-05



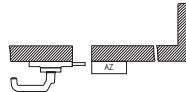
AZ 16-ST30-06



AZ 16-ST30-07

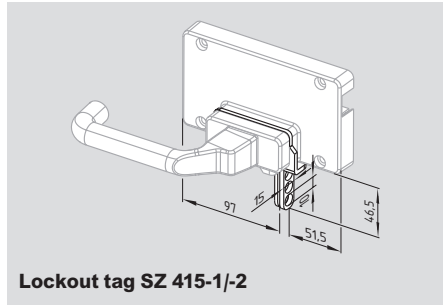


AZ 16-ST30-08

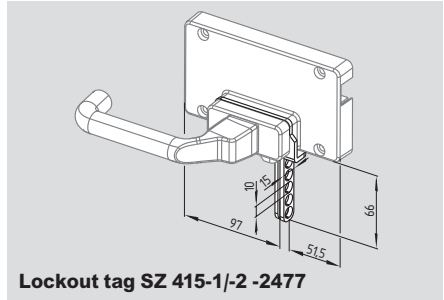


The drawings are always shown with a view to the switch.

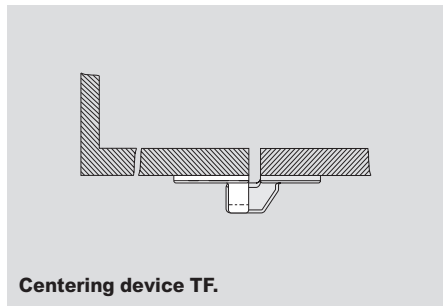
System components



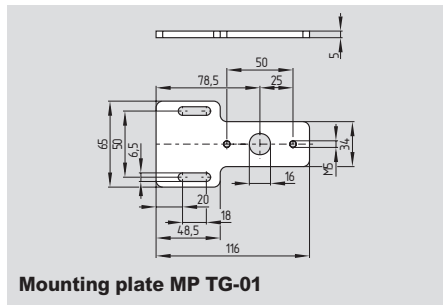
Lockout tag SZ 415-1/-2



Lockout tag SZ 415-1/-2 -2477



Centering device TF.



Mounting plate MP TG-01

Ordering details

Included in delivery

- Mounting plate for safety switch
- Actuator incl. mounting plate
- Emergency handle (for variant -05 and -06 incl. mounting plate)

Ordering example

To order, first choose the desired safety switch and then the door handle system:
for example AZ 16-02ZVRK-ST and
AZ 16-ST30-01.

Ordering details

Mounting inside

with emergency handle

door hinge right

AZ 16-ST30-01

door hinge left

AZ 16-ST30-02

without emergency handle

door hinge right

AZ 16-ST30-03

door hinge left

AZ 16-ST30-04

Mounting outside

with emergency handle

door hinge right

AZ 16-ST30-05

door hinge left

AZ 16-ST30-06

without emergency handle

door hinge right

AZ 16-ST30-07

door hinge left

AZ 16-ST30-08

Ordering details

Lockout tag

for ...STS30-01/-03/-06/-08

SZ 415-1

for ...STS30-02/-04/-05/-07

SZ 415-2

Lockout tag with 5 circular holes

for ...STS30-01/-03/-06/-08

SZ 415-1-2477

for ...STS30-02/-04/-05/-07

SZ 415-2-2477

Centering device only for AZ 16-ST30...

and AZM 161-ST30....:

Mounting outside

TFA-020

Mounting inside

TFI-020

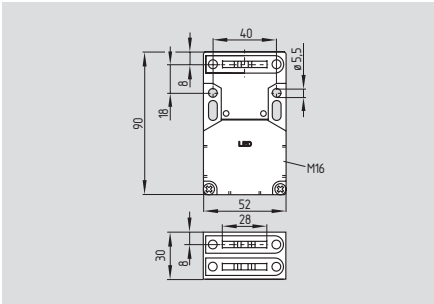
(Product information see page 1-52)

Mounting plate

MP TG-01

Safety switch with separate actuator

AZ 16-...I



- With individual coding, up to 600 combinations
- Thermoplastic enclosure
- Long life
- Double insulated
- 3 cable entries M16
- Large wiring compartment
- High level of contact reliability with low voltages and currents
- Not sensitive to dirty conditions by virtue of patented roller system
- Slotted holes for adjustment, circular holes for location

Technical data

Standards: IEC/EN 60947-5-1
BG-GS-ET-15

Enclosure: glass fiber reinforced thermoplastic, self-extinguishing

Actuator: stainless steel 1.4301

Protection class: IP67 to EN 60529

Contact material: silver

Contact type: change-over contact with double break, type Zb or 2 NC or 3 NC contacts, with galvanically separated contact bridges

Switching principle: \ominus IEC 60947-5-1 slow action, NC contact with positive break

Connection: screw terminals or connector M12, 4-pole

Cable section: max. 2.5 mm²
min. 0.25 mm²
(incl. conductor ferrules)

Cable entry: 3 x M20

U_{imp} : 6 kV

U_i : 500 V

I_{the} : 10 A

Utilization category: AC-15, DC-13

I_e/U_e : 4 A / 230 VAC
4 A / 24 VDC

Max. fuse rating: 6 A gG D-fuse

Positive break travel: 8 mm

Positive break force: 10 N for each NC contact fitted

Ambient temperature: -30 °C ... +80 °C

Mechanical life: > 1 million operations

Latching force: 30 N for ordering suffix R

Actuating speed: max. 0.2 m/s

Max. switching frequency: 4,000 operations/h

Classification:

Standards: EN ISO 13849-1

B_{10d} (NC): 2,000,000

B_{10d} (NO): 1,000,000
for max. 10% ohmic contact load

Mission time: 20 years

$$MTTF_d = \frac{B_{10d}}{0,1 \times n_{op}} \quad n_{op} = \frac{d_{op} \times h_{op} \times 3600 \text{ s/h}}{t_{cycle}}$$

Contact variants



Approvals



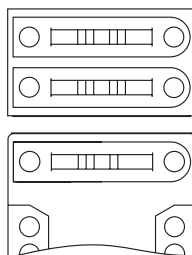
Ordering details

AZ16-①ZI-②-③-④

No.	Option	Description
①	03	3 NC
	12	1 NO / 2 NC
②	B1	Incl. actuator B1
	B1-1747	Incl. actuator B1-1747
	B1-2024	Incl. actuator B1-2024
	B1-2053	Incl. actuator B1-2053
	B1-2177	Incl. actuator B1-2177
③	1762	Front mounting
④	M16	Cable entry M16
	M20	Cable entry M20

Note

The actuating direction of the actuator is identified by means of the marking on the enclosure.

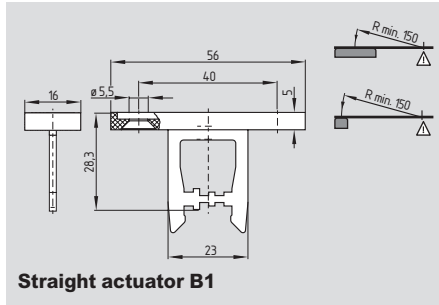


Note

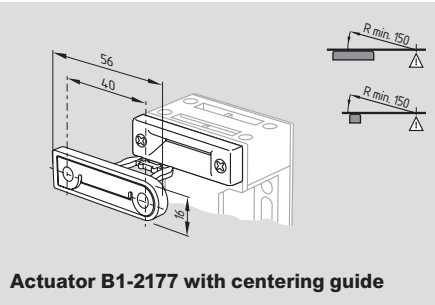
The part number of the actuator is appended to the part number of the switch. The actuators are **not individually** available.

Safety switch with separate actuator

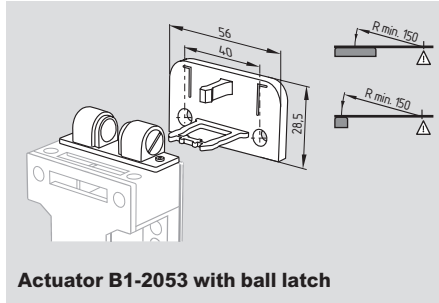
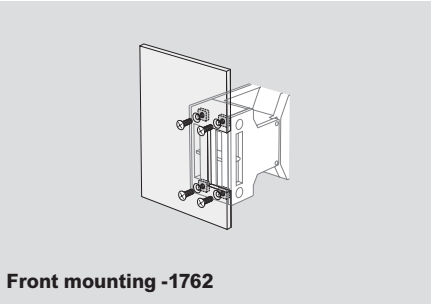
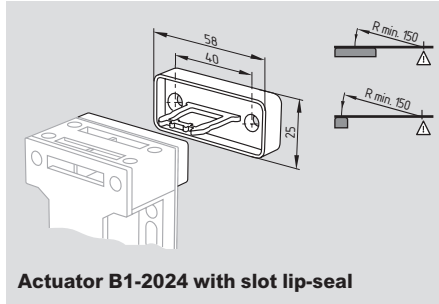
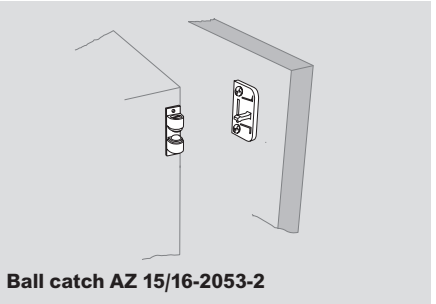
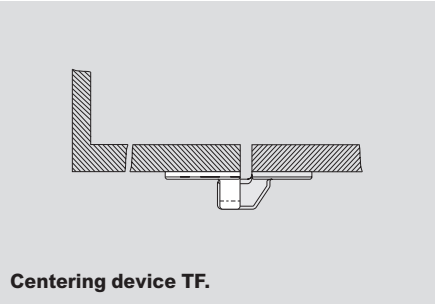
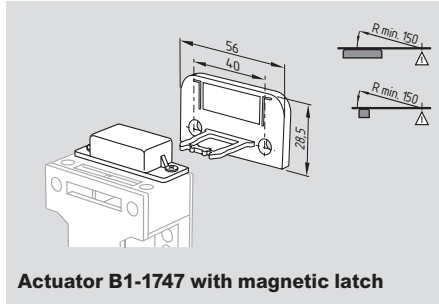
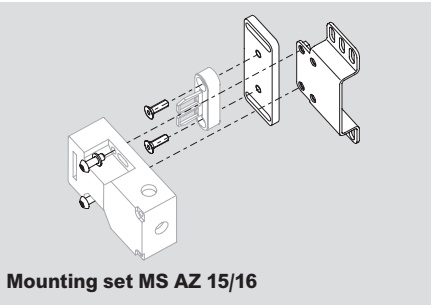
System components



System components



System components



Ordering details

Straight actuator with magnetic latch
 with slot lip-seal
 with ball latch

Ordering details

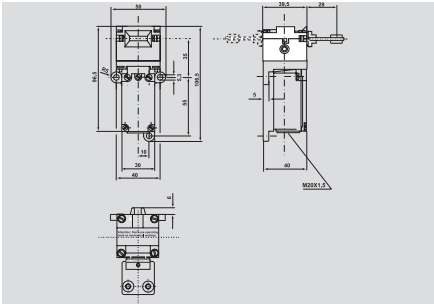
Straight actuator with centering guide
Centering device
 Mounting outside
 Mounting inside
 (Product information see page 1-52)

Ordering details

Mounting set
 Ball catch
 Front mounting with M5 nuts
 Tamperproof screws with unidirectional slots
 M5 x 12
 M5 x 16
 M5 x 20
 (Quantity 2 pcs)

Safety switch with separate actuator

TZG



- Thermoplastic enclosure
- 2 contacts
- Long life
- High level of contact reliability with low voltages and currents
- Mounting details to EN 50041
- Actuator heads can be repositioned in steps 4 x 90°
- Can be mounted on a flat surface
- 1 cable entry M20
- Funnel shaped key entry
- Padlockable actuator key

Technical data

Standards: IEC/EN 60947-5-1
 BG-GS-ET-15
 Enclosure: glass fiber reinforced thermoplastic
 Actuator: galvanized steel
 Protection class: IP67
 Contact material: silver
 Contact type: double pole, double break
 with electrically separated contact bridges
 Switching principle: ⊖ IEC 60947-5-1

slow action,
 NC contact with positive break
 Connection: screw terminals
 Cable section: max. 2.5 mm²,
 min. 0.75 mm²
 (incl. conductor ferrules)

Cable entry: M20
 U_{imp}: 4 kV
 U_i: 250 V
 I_{thp}: 10 A
 Utilization category: AC-15; DC-13
 I_e/U_e: 4 A / 230 VAC
 4 A / 24 VDC
 Max. fuse rating: 10 A gG D-fuse
 Positive break travel: 12.5 mm
 Positive break force: 20 N
 Ambient temperature: -13 deg F ... +158 deg F
 Mechanical life: > 1 million operations
 Latching force: 20 N
 Actuating speed: max. 0.2 m/s
 Max. switching frequency: 1,200 operations/h

Classification:
 Standards: EN ISO 13849-1
 B_{10d} (NC): 2,000,000
 B_{10d} (NO): 1,000,000
 for max. 10% ohmic contact load
 Mission time: 20 years

$$MTTF_d = \frac{B_{10d}}{0,1 \times n_{op}} \quad n_{op} = \frac{d_{op} \times h_{op} \times 3600 \text{ s/h}}{t_{cycle}}$$

Contact variants

1 NO / 1 NC

2 NC

Approvals



Ordering details

TZG01-①

No.	Option	Description
①	103	1 NO & 1 NC
	110	2 NC

Note

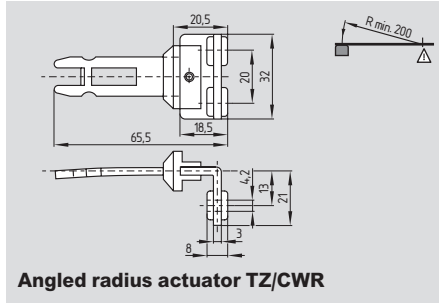
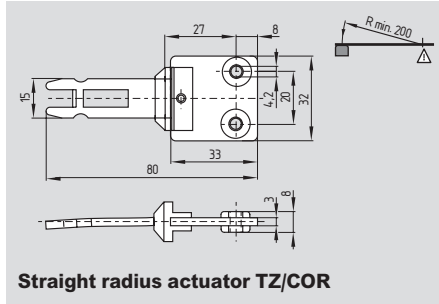
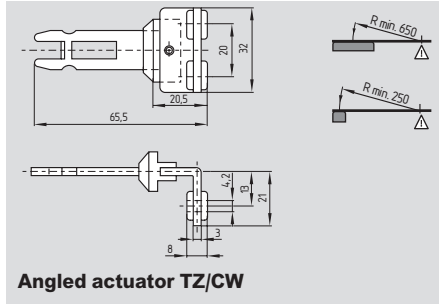
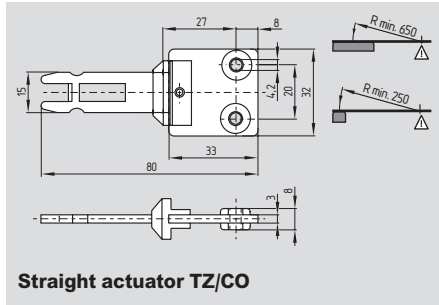
Actuators must be ordered separately.

Note

By turning the head in 4 x 90° steps, 4 actuating planes are possible. A Torx T15 screwdriver is needed for this purpose.

Solenoid interlocks

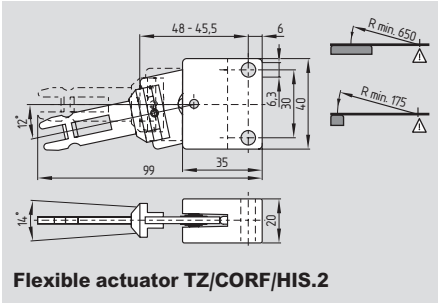
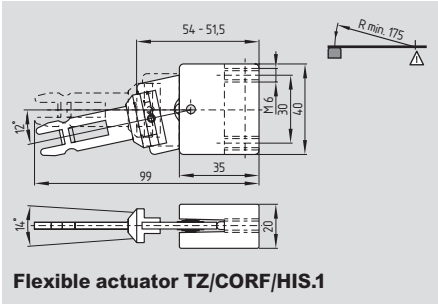
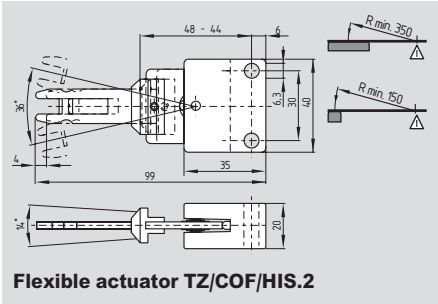
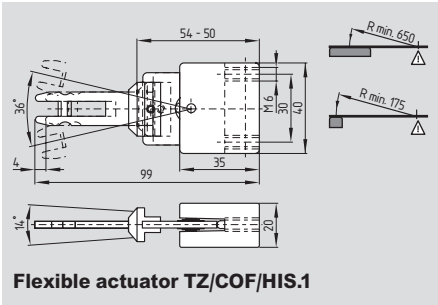
System components



Ordering details

Straight actuator **TZ/CO**
 Angled actuator **TZ/CW**
 Straight radius actuator **TZ/COR**
 Angled radius actuator **TZ/CWR**

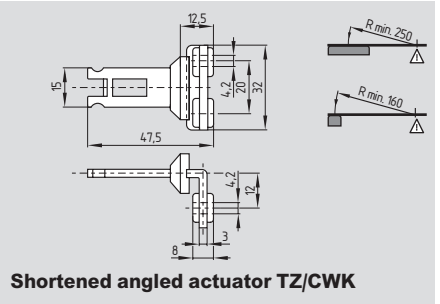
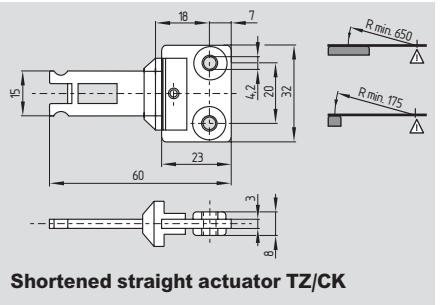
System components



Ordering details

Flexible actuator **TZ/COF/HIS.1**
 Flexible actuator **TZ/COF/HIS.2**
 Flexible actuator **TZ/CORF/HIS.1**
 Flexible actuator **TZ/CORF/HIS.2**

System components

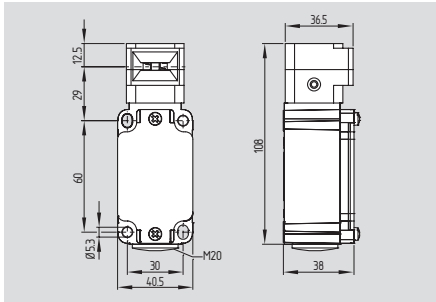


Ordering details

Shortened straight actuator **TZ/CK**
 Shortened angled actuator **TZ/CWK**
Centering device
 Mounting outside **TFA-020**
 Mounting inside **TFI-020**
 (Product information see page 1-52)

Safety switch with separate actuator

AZ 3350



- Metal enclosure
- 3 contacts
- Long life
- High level of contact reliability with low voltages and currents
- Mounting details to EN 50041
- Actuator heads can be repositioned in steps 4 x 90°
- Can be mounted on a flat surface
- 1 cable entry M20
- Slotted holes for adjustment, circular holes for location
- EX version available

Technical data

Standards: IEC/EN 60947-5-1
BG-GS-ET-15

Enclosure: light-alloy diecast, paint finish

Actuator: steel

Protection class: IP67

Contact material: silver

Contact type: change-over contact with double break, type Zb or 3 NC contacts, with galvanically separated contact bridges

Switching principle: ⊖ IEC 60947-5-1 slow action, NC contact with positive break

Connection: screw terminals

Cable section: max. 2.5 mm², min. 0.75 mm² (incl. conductor ferrules)

Cable entry: M20

U_{imp}: 4 kV

U_i: 250 V

I_{the}: 10 A

Utilization category: AC-15; DC-13

I_e/U_e: 4 A / 230 VAC
4 A / 24 VDC

Max. fuse rating: 6 A gG D-fuse

Positive break travel: 10.7 mm

Positive break force: 5 N for each NC contact fitted

Ambient temperature: -30 °C ... +90 °C

Mechanical life: > 1 million operations

Latching force: 5 N

Actuating speed: max. 0.2 m/s

Max. switching frequency: 1,200 operations/h

Classification:

Standards: EN ISO 13849-1

B_{10d} (NC): 2,000,000

B_{10d} (NO): 1,000,000

for max. 10% ohmic contact load

Mission time: 20 years

$$MTTF_d = \frac{B_{10d}}{0,1 \times n_{op}} \quad n_{op} = \frac{d_{op} \times h_{op} \times 3600 \text{ s/h}}{t_{cycle}}$$

Contact variants

1 NO / 2 NC



3 NC



Approvals



Ordering details

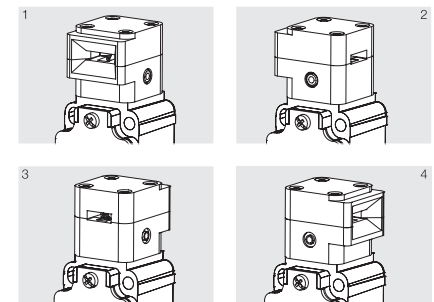
AZ 3350-①-②-③

No.	Option	Description
①	03ZK	3 NC
	12ZUEK	1 NO / 2 NC
②	1637	Gold-plated contacts
③	U90	Actuator head forward Actuating head rotated 90° for door hinge left
	U270	Actuating head rotated 270° for door hinge right

Note

Actuators must be ordered separately.

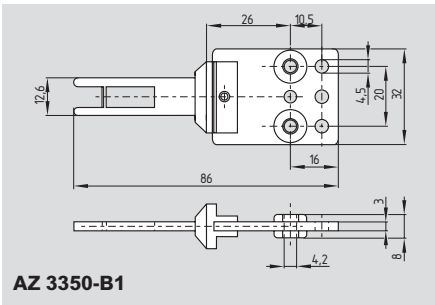
Note



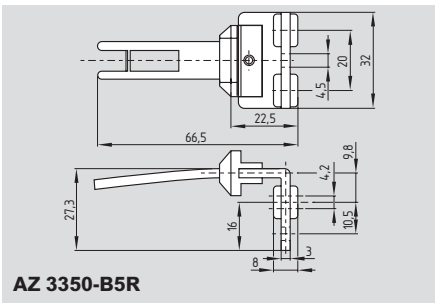
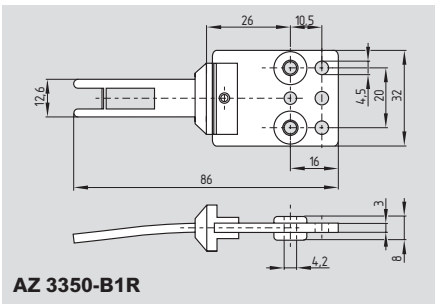
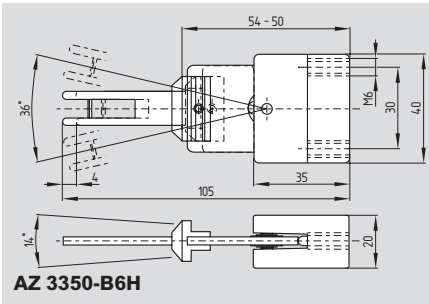
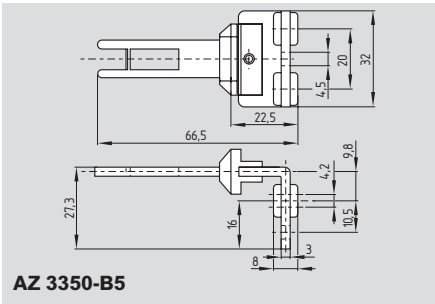
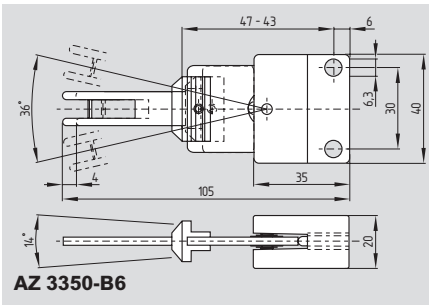
By turning the head in 4 x 90° steps, 4 actuating planes are possible. A Torx T15 tool is needed for this purpose.

Safety switch with separate actuator

System components



System components



Ordering details

Actuator **AZ 3350-B1**
 Actuator **AZ 3350-B5**
 Actuator **AZ 3350-B1R**
 Actuator **AZ 3350-B5R**

The actuators are not suitable for explosive areas.

Ordering details

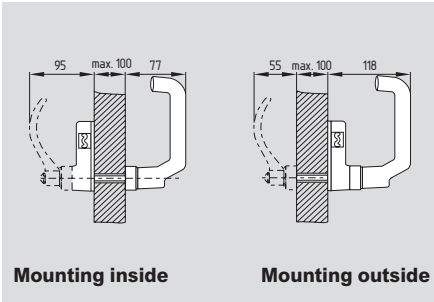
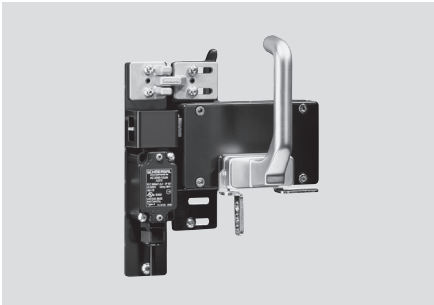
Actuator **AZ 3350-B6**
 Actuator **AZ 3350-B6H**

The actuators are not suitable for explosive areas.

Centering device
 Mounting outside **TFA-020**
 Mounting inside **TFI-020**
 (Product information see page 1-52)

Safety switch with separate actuator

AZ 3350-ST30-...



- Metal enclosure
- Long life
- High level of contact reliability with low voltages and currents
- 1 cable entry M20
- Shearing force 15,000 N
- Door handle latching
- Lockout tag against unintentional locking available
- Centering device available
- EX version available

Technical data

Standards: IEC/EN 60947-5-1, EN ISO 13849-1, EN 1088, BG-GS-ET-15

Enclosure: light-alloy diecast, paint finish

Protection class: IP67

Contact material: silver

Contact type: change-over contact with double break Zb or 3 NC contacts, with galvanically separated contact bridges

Switching principle: \ominus IEC 60947-5-1; slow action, NC contact with positive break

Connection: screw terminals

Cable section (rigid/flexible): min. 0.75 mm², max. 2.5 mm² (incl. conductor ferrules)

Cable entry: M20

U_{imp}: 4 kV

U_i: 250 V

I_{the}: 10 A

Utilization category: AC-15, DC-13

I_e/U_e: 4 A / 230 VAC; 4 A / 24 VDC

Max. fuse rating: 6 A gG D-fuse (DIN EN 60269-1)

Ambient temperature: -30 °C ... +90 °C

Mechanical life: > 1 million operations

Actuating speed: max. 0.2 m/s

Switching frequency: 1,200 operations / h

Positive break travel: 10.7 mm

Positive break force: 5 N for each NC contact fitted

Classification:

Standards: EN ISO 13849-1

B_{10d} (NC): 2,000,000

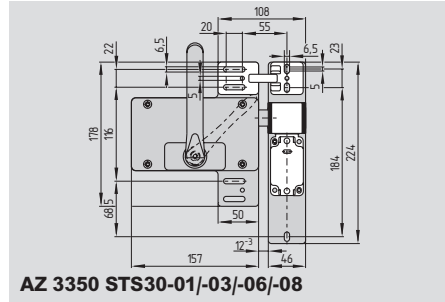
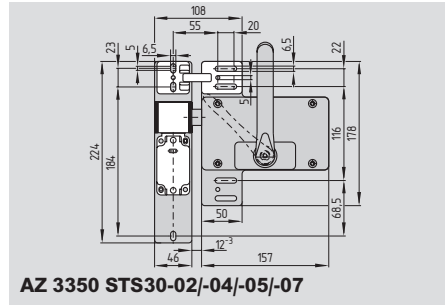
B_{10d} (NO): 1,000,000

for max. 10% ohmic contact load

Mission time: 20 years

$$MTTF_d = \frac{B_{10d}}{0,1 \times n_{op}} \quad n_{op} = \frac{d_{op} \times h_{op} \times 3600 \text{ s/h}}{t_{cycle}}$$

System variants



Approvals



Ordering details

AZ 3350-①-②-③

No.	Option	Description
①	03-ZK 12-ZUEK	3 NC 1 NO/2 NC
②	1637	Gold-plated contacts
③	U90	Actuating head can be rotated 90° for door hinge left
	U270	Actuating head can be rotated 270° for door hinge right

Note

Included in delivery

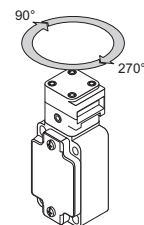
- Mounting plate for safety switch
- Actuator incl. mounting plate
- Emergency handle (for variant -05 and -06 incl. mounting plate)

Ordering example

To order, first choose the desired safety switch and then the door handle system: for example AZ 3350-12-ZUEK-U90 and AZ 3350-ST30-02

Note

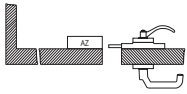
Actuator head:



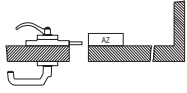
Safety switch with separate actuator

System variants

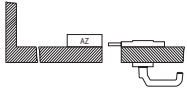
AZ 3350-ST30-01



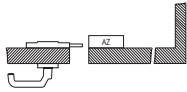
AZ 3350-ST30-02



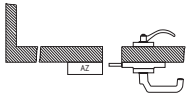
AZ 3350-ST30-03



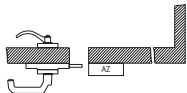
AZ 3350-ST30-04



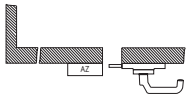
AZ 3350-ST30-05



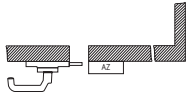
AZ 3350-ST30-06



AZ 3350-ST30-07

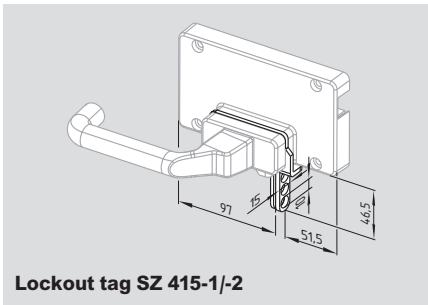


AZ 3350-ST30-08

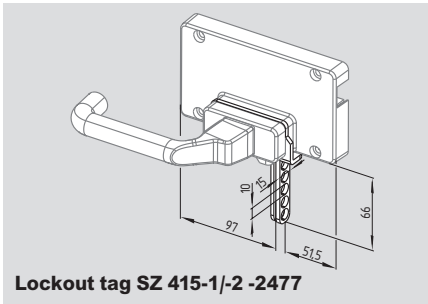


The drawings are always shown with a view to the switch.

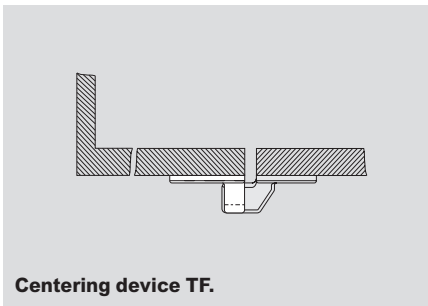
System components



Lockout tag SZ 415-1/-2



Lockout tag SZ 415-1/-2 -2477



Centering device TF.

Ordering details

Mounting inside

with emergency handle

door hinge right **AZ 3350-ST30-01**

door hinge left **AZ 3350-ST30-02**

without emergency handle

door hinge right **AZ 3350-ST30-03**

door hinge left **AZ 3350-ST30-04**

Mounting outside

with emergency handle

door hinge right **AZ 3350-ST30-05**

door hinge left **AZ 3350-ST30-06**

without emergency handle

door hinge right **AZ 3350-ST30-07**

door hinge left **AZ 3350-ST30-08**

Ordering details

Lockout tag

for ...ST30-01/-03/-06/-08 **SZ 415-1**

for ...ST30-02/-04/-05/-07 **SZ 415-2**

Lockout tag with 5 circular holes

for ...ST30-01/-03/-06/-08 **SZ 415-1-2477**

for ...ST30-02/-04/-05/-07 **SZ 415-2-2477**

Centering device:

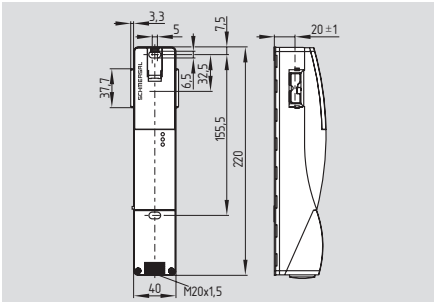
Mounting outside **TFA-010**

Mounting inside **TFI-010**

(Product information see page 1-52)

Electronic Safety switch with separate actuator

AZ 200



Safety switch

- Thermoplastic enclosure
- Sensor technology permits an offset of ± 5 mm between actuator and safety switch
- Intelligent diagnostic
- Accurate adjustment through slotted holes (refer to table)
- 3 LED's to show the operating status
- 2 safety outputs, 1 diagnostic output
- Holding force 30 N
- Available with AS-Interface Safety at Work

Suitable for applications

- (without additional second switch)
 - up to PL e/category 4 to EN ISO 13849-1
 - suitable for SIL 3 applications to IEC 61508
- Series-wiring of max. 31 components, without detriment to the category

Technical data

Standards: EN 60947-5-3, EN ISO 13849-1, IEC 61508

Enclosure: glass fiber reinforced thermoplastic, self-extinguishing

Mechanical life: ≥ 1 million operations

Holding force: 30 N

Protection class: IP67 to EN 60529

Protection class: II, □

Overvoltage category: III

Degree of pollution: 3

Connection: screw terminals or cage clamps or connector M12 or M23

Cable section: min. 0.25 mm², max. 1.5 mm² (incl. conductor ferrules)

Cable entry: M20

Series-wiring: max. 31 components

Cable length: max. 200m (Cable length and cable section alter the voltage drop depending on the output current)

Switching distances to EN 60947-5-3:

S_n: 6.5 mm

S_{ao}: 4.0 mm

S_{ar}: 30 mm

Hysteresis: max. 1.5 mm

Repeat accuracy: < 0.5 mm

Switching frequency f: 1 Hz

Ambient conditions:

Ambient temperature: -25 °C ... +70 °C

Storage and transport temperature: -25 °C ... +85 °C

Relative humidity: 30% ... 95%, non-condensing

Resistance to vibration: 10 ... 55 Hz, amplitude 1 mm

Resistance to shock: 30 g / 11 ms

Switching frequency f: 1 Hz

Response time: < 60 ms

Duration of risk: < 120 ms

Time to readiness: < 4 s

Actuating speed: ≤ 0.2 m/s

Technical data

Electrical data:

U_e: 24 VDC -15%/+10% (stabilised PELV)

I_e: 0.7 A

I₀: max. 0.1 A

U_{imp}: 800 V

U_i: 32 VDC

Fuse rating: - Screw terminals or cage clamps: ≤ 4 A when used to UL 508; - Connector M12 or M23: ≤ 2 A

Safety inputs X1 and X2: only for -1P2P and -SD2P

U_{e3/Low}: - 3 V ... 5 V

U_{e3/High}: 15 V ... 30 V

I_{e3}: typically 2 mA at 24 V

Safety outputs Y1 and Y2: p-type, short-circuit proof

U_{e1}: 0 V up to 4 V under U_e

I_{e1}: max. je 0.25 A

Utilization category: DC-13

Leakage current I_r: ≤ 0.5 mA

Diagnostic output OUT: p-type, short-circuit proof

U_{e2}: 0 V up to 4 V under U_e

I_{e2}: max. 0.05 A

Utilization category: DC-13

Wiring capacitance for serial diagnostic: max. 50 nF

LED functions:

Green: Supply voltage on

Yellow: Operating status

Red: Error (refer to flash codes)

Classification:

Standards: EN ISO 13849-1; IEC 61508

PL: e

Category: 4

PFH value: 4.0 x 10⁻⁹ /h

SIL: suitable for SIL 3 applications

Mission time: 20 years

Approvals



Ordering details

AZ 200①-T-②

No.	Option	Description
①	SK	Screw terminals
	CC	Cage clamps
	ST1	Connector M23, (8+1)-pole
	ST2	Stecker M12, 8-polig
②	1P2P	1 diagnostic output and 2 safety outputs, all p-type
	SD2P	serial diagnostic output and 2 safety outputs, p-type

Note

The safety switch and the actuator unit must be ordered separately! (refer to page 1-56 – 1-59)

Actuator	Page 1-56
SD Gateway	Page 1-92
Series-wiring accessories	Page 1-94
Diagnostic tables	Online
Suitable safety monitoring modules	Page 5-2

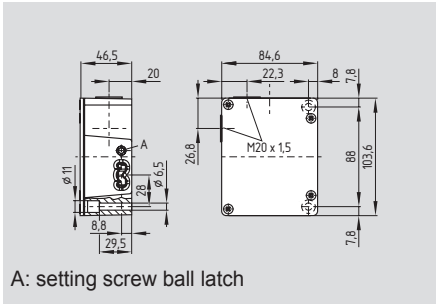
Connector

Connector Cables:

M23, 8+1 pole (IP67)	
Cable length 5 m	101209959
Cable length 10 m	101209958
M12, 8-pole (IP67)	
Cable length 2.5 m	103011411
Cable length 5 m	103011412
Cable length 10 m	103011413
M12, 8-pole (IP69K)	
Cable length 5 m	101210560
Cable length 5 m (angled)	101210561
Cable length 10 m	103001389

Safety switch with separate actuator

AZ 415



- Metal enclosure
- 2 switches with different actuating functions in a single enclosure
- Long life
- High level of contact reliability with low voltages and currents
- 2 cable entries M20
- Adjustable ball latch to 400 N
- Spring-loaded actuators
- EX version available

Technical data

Standards: IEC/EN 60947-5-1
BG-GS-ET-15

Enclosure: light-alloy diecast, paint finish

Actuator: zinc-plated brass/aluminum

Protection class: IP67 to EN 60529

Contact material: silver

Contact type: change-over contact with double break, type Zb or 2 NC contacts, with galvanically separated contact bridges

Switching principle: \ominus IEC 60947-5-1
slow action,
NC contact with positive break

Connection: screw terminals

Cable section: max. 1.5 mm²,
min. 0.75 mm²
(incl. conductor ferrules)

Cable entry: 2 x M20

U_{imp} : 4 kV

U_i : 250 V

I_{the} : 6 A

Utilization category: AC-15; DC-13
4 A / 230 VAC
4 A / 24 VDC

I_e/U_e : 6 A

Max. fuse rating: 6 A gG D-fuse

Positive break travel: 3.8 mm

Positive break force: min. 31 N

Ambient temperature: -25 °C ... +70 °C

Mechanical life: > 1 million operations

Latching force: 30 ... 400 N (adjustable)

Classification:

Standards: EN ISO 13849-1

B_{10d} (NC): 2,000,000

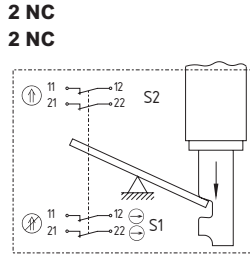
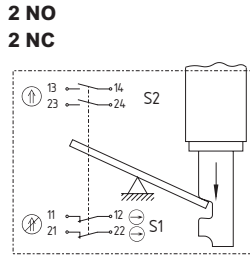
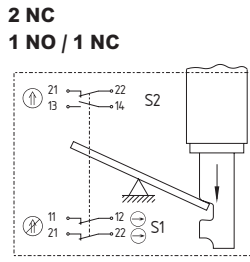
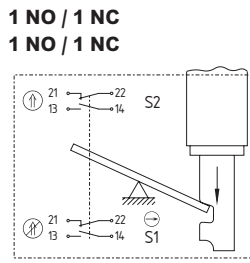
B_{10d} (NO): 1,000,000

for max. 10% ohmic contact load

Mission time: 20 years

$MTTF_d = \frac{B_{10d}}{0,1 \times n_{op}}$ $n_{op} = \frac{d_{op} \times h_{op} \times 3600 \text{ s/h}}{t_{cycle}}$

Contact variants



Approvals



Ordering details

AZ 415-①ZPK-②

No.	Option	Description
①	02/11	2NC / 1NO 1NC
	02/02	2NC / 2NC
	02/20	2NC / 2NO
	11/11	1NO 1NC / 1NO 1NC
②	1637	Gold-plated contacts

Note

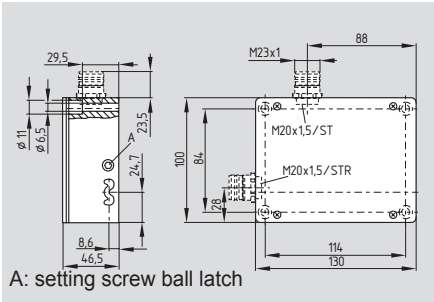
Actuators must be ordered separately (refer to page 1-24).

Note

Contact symbols shown for the closed condition of the guard device.

Safety switch with separate actuator

AZ 415-33



- Metal enclosure
- 3 switches with different actuating functions in one enclosure
- Long life
- High level of contact reliability with low voltages and currents
- 2 cable entries M20
- Adjustable ball latch to 400 N
- Spring-loaded actuators

Technical data

Standards: IEC/EN 60947-5-1
BG-GS-ET-15

Enclosure: light-alloy diecast, paint finish

Actuator: zinc-plated brass/aluminum

Protection class: IP67 to EN 60529

Contact material: silver

Contact type: change-over contact with double break, type Zb, with galvanically separated contact bridges

Switching principle: IEC 60947-5-1

slow action,
NC contact with positive break

Connection: screw terminals

Cable section: max. 1.5 mm²,
min. 0.75 mm²
(incl. conductor ferrules)

Cable entry: 2 x M20

U_{imp}: 4 kV

U_i: 250 V

I_{the}: 6 A

Utilization category: AC-15; DC-13

I_g/U_g: 4 A / 230 VAC
4 A / 24 VDC

Max. fuse rating: 6 A gG D-fuse

Positive break travel: 5.5 mm

Positive break force: min. 15 N

Ambient temperature: -25 °C ... +80 °C

Mechanical life: > 1 million operations

Latching force: 30 ... 400 N (adjustable)

Classification:

Standards: EN ISO 13849-1

B_{10d} (NC): 2,000,000

B_{10d} (NO): 1,000,000

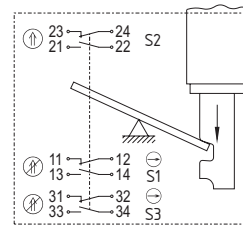
for max. 10% ohmic contact load

Mission time: 20 years

$$MTTF_d = \frac{B_{10d}}{0,1 \times n_{op}} \quad n_{op} = \frac{d_{op} \times h_{op} \times 3600 \text{ s/h}}{t_{cycle}}$$

Contact variants

3 NO
3 NC



Approvals



Ordering details

AZ 415-33ZPK-①

No.	Option	Description
①	1637	Gold-plated contacts

Note

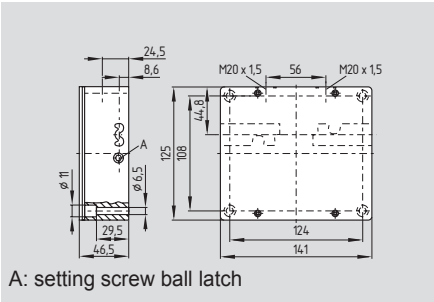
Actuators must be ordered separately (refer to page 1-24).

Note

Contact symbols shown for the closed condition of the guard device.

Safety switch with separate actuator

AZ 415-33 for double doors



- Metal enclosure
- 3 switches with different actuating functions in one enclosure
- for double doors
- Long life
- High level of contact reliability with low voltages and currents
- 2 cable entries M20
- Ball latch for each door, individually adjustable up to 400 N
- Spring-loaded actuators

Technical data

Standards: IEC/EN 60947-5-1
BG-GS-ET-15

Enclosure: light-alloy diecast, paint finish

Actuator: zinc-plated brass/aluminum

Protection class: IP67 to EN 60529

Contact material: silver

Contact type: change-over contact with double break, type Zb, with galvanically separated contact bridges

Switching principle: IEC 60947-5-1
slow action, NC contact with positive break

Connection: screw terminals

Cable section: max. 1.5 mm², min. 0.75 mm² (incl. conductor ferrules)

Cable entry: 2 x M20

U_{imp}: 4 kV

U_i: 250 V

I_{the}: 6 A

Utilization category: AC-15; DC-13

I_e/U_e: 4 A / 230 VAC
4 A / 24 VDC

Max. fuse rating: 6 A gG D-fuse

Positive break travel: 5.5 mm

Positive break force: min. 15 N

Ambient temperature: -25 °C ... +80 °C

Mechanical life: > 1 million operations

Latching force: 30 ... 400 N (adjustable)

Classification:

Standards: EN ISO 13849-1

B_{10d} (NC): 2,000,000

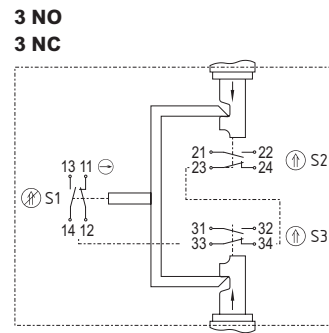
B_{10d} (NO): 1,000,000

for max. 10% ohmic contact load

Mission time: 20 years

$$MTTF_d = \frac{B_{10d}}{0,1 \times n_{op}} \quad n_{op} = \frac{d_{op} \times h_{op} \times 3600 \text{ s/h}}{t_{cycle}}$$

Contact variants



Approvals



Ordering details

AZ 415-33ZPDK-①

No.	Option	Description
①	1637	Gold-plated contacts

Note

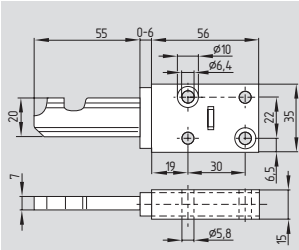
Actuators must be ordered separately (refer to page 1-24).

Note

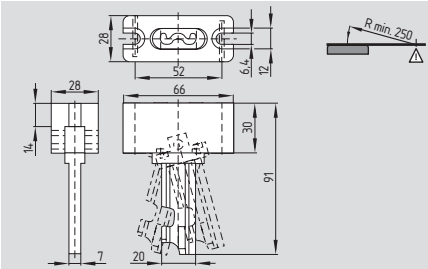
Contact symbols shown for the closed condition of the guard device.

Safety switch with separate actuator

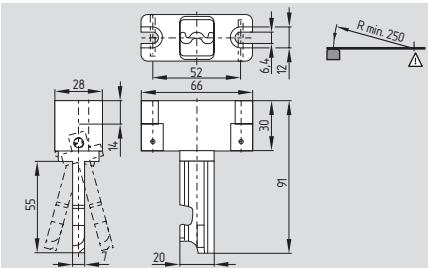
System components



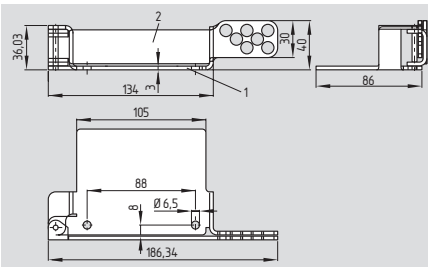
Straight actuator AZ/AZM 415-B1



Flexible actuator AZ/AZM 415-B2

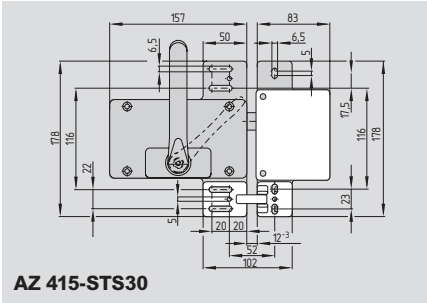


Flexible actuator AZ/AZM 415-B3



Lockout tag SZ 415-22-1/-2

System components



AZ 415-STS30

Ordering details

Straight actuator
Flexible actuator
Flexible actuator
Lockout tag

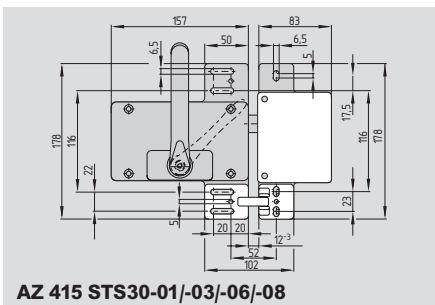
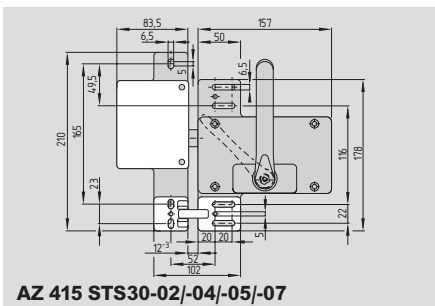
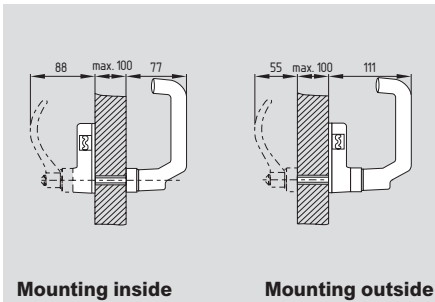
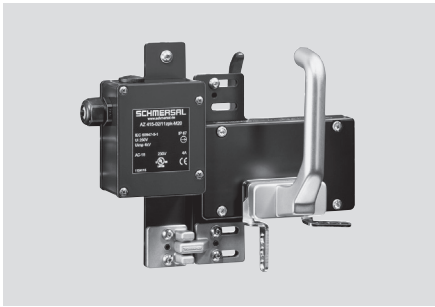
AZ/AZM 415-B1
AZ/AZM 415-B2
AZ/AZM 415-B3
SZ 415-22-1/-2

Ordering details

Safety door-handle system STS
Actuator with handle and without
or with emergency handle and
inclusive mounting plate **AZ 415-STS30**
(A detailed product description
can be found on page 1-25)

Safety switch with separate actuator

AZ 415-ST30-...



Ordering details

Included in delivery

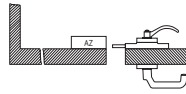
- Mounting plate for safety switch
- Actuator incl. mounting plate
- Emergency handle (for variant -05 and -06 incl. mounting plate)

Ordering example

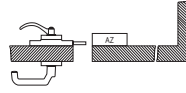
To order, first choose the desired safety switch and then the door handle system:
for example AZ 415-11/11ZPK and
AZ 415-ST30-05

System variants

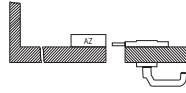
AZ 415-ST30-01



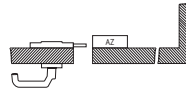
AZ 415-ST30-02



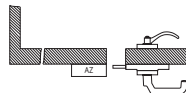
AZ 415-ST30-03



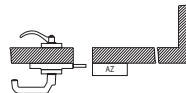
AZ 415-ST30-04



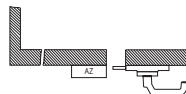
AZ 415-ST30-05



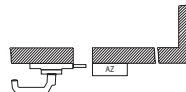
AZ 415-ST30-06



AZ 415-ST30-07



AZ 415-ST30-08



The drawings are always shown with a view to the switch.

Ordering details

Mounting inside

with emergency handle

door hinge right

AZ 415-ST30-01

door hinge left

AZ 415-ST30-02

without emergency handle

door hinge right

AZ 415-ST30-03

door hinge left

AZ 415-ST30-04

Mounting outside

with emergency handle

door hinge right

AZ 415-ST30-05

door hinge left

AZ 415-ST30-06

without emergency handle

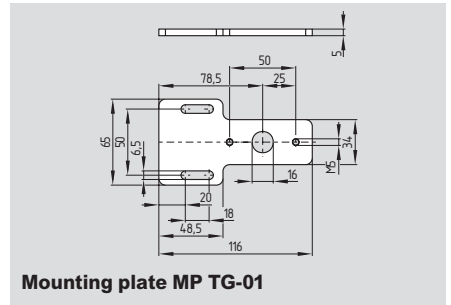
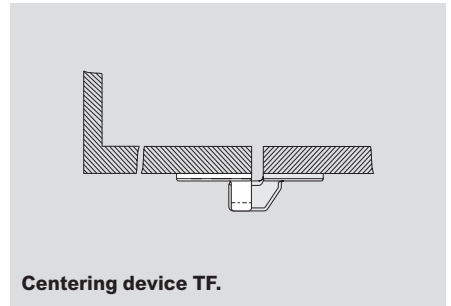
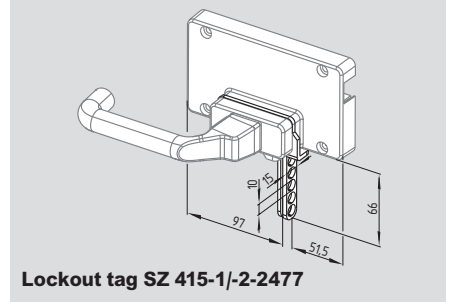
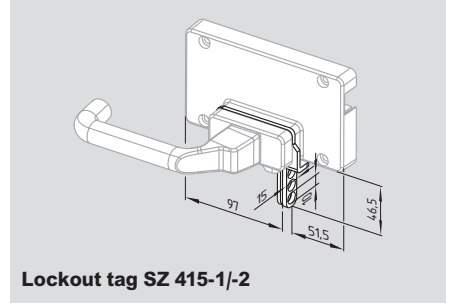
door hinge right

AZ 415-ST30-07

door hinge left

AZ 415-ST30-08

System components



Ordering details

Lockout tag

for ...STS30-01/-03/-06/-08

SZ 415-1

for ...STS30-02/-04/-05/-07

SZ 415-2

Lockout tag with 5 circular holes

for ...STS30-01/-03/-06/-08

SZ 415-1-2477

for ...STS30-02/-04/-05/-07

SZ 415-2-2477

Lockout tag with 7 circular holes

for ...STS30-01/-03/-06/-08

SZ AZ 415-1-2477

for ...STS30-02/-04/-05/-07

SZ AZ 415-2-2477

Centering device:

Mounting outside

TFA-010

Mounting inside

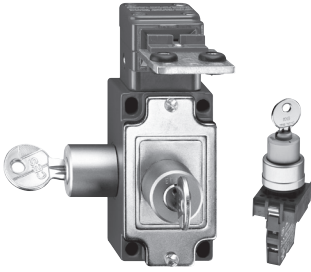
TFI-010

(Product information see page 1-52)

Mounting plate

MP TG-01

Further products and program extensions for guard door monitoring



SHGV cablefree guard door monitoring system

The SHGV trapped key system conforms to EN 1088 and is particularly suitable for the monitoring of maintenance and service doors.

The trapped key system consists of a keyed selector switch for the control panel and a mechanical interlock switch for the guard door which use the same lock key. This system eliminates wiring or cabling between the guard and the control cabinet.

Further info can be found in the online product catalog.



SVE key operated selector switch interlocking device

For use with the SHGV system in applications where hazardous movement may run longer than the time to reach the area and transfer the key. Used instead of the SHGV/ESS keyed selector switch.

The SVE allows up to three keys to power off the machine, but uses a solenoid to keep the keys trapped for the duration of machine rundown.

Further info can be found in the online product catalog.



SVM multiple key distribution station

For use with SHGV System. The selector switch key is used to free either 6 or 10 additional keys for multiple SHGV switch units. The selector switch key is trapped until all additional keys have been returned.

Available in a surface mounted aluminum housing or on a stainless steel plate for flush mounting.

Further info can be found in the online product catalog.

Safe switching and monitoring Solenoid Interlocks



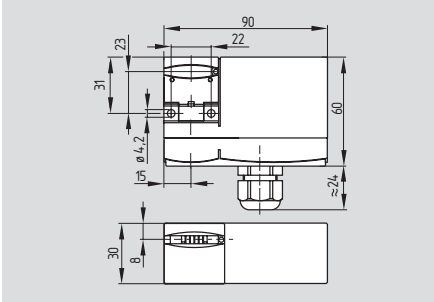
Solenoid locking switches are used on sliding, hinged and removable guard doors that must be closed and locked for operator safety. It is a two part system consisting of a switch body, mounted to the guard frame, and a separate actuator key, mounted to the door.

Models are available in a several mounting profiles and housing materials. Each model has a variety of actuator key options: straight, right angle mounting, floating head, and keys integrated into door handle assemblies.

Thermoplastic housing	
AZM170	1-28
AZM161	1-36
TZM/TZF	1-42
AZM190 (TZKF/TZKM)	1-44
Metal housings	
AZM415	1-46
Door handle actuators	
AZM170-B25	1-35
AZM161-ST30	1-41
AZM415-ST30	1-51
Electronic Solenoid locking switches	1-53

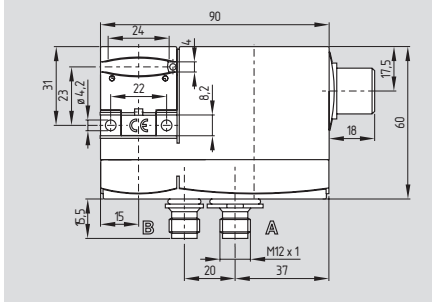
Solenoid interlocks

AZM 170 cut clamps



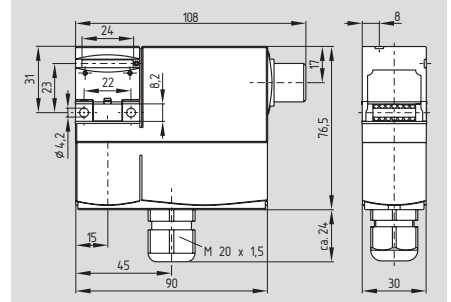
- **Cut clamps**
- Interlock with protection against incorrect locking
- Thermoplastic enclosure
- Compact design
- Manual release
- Long life
- Double insulated
- High holding force 1,000 N
- Power to unlock/power to lock principle
- 1 cable entry M20 cord grip

AZM 170 with connector



- **Connector**
- Interlock with protection against incorrect locking
- Thermoplastic enclosure
- Compact design
- Manual release
- Long life
- Double insulated
- High holding force 1,000 N
- Power to unlock/power to lock principle

AZM 170 screw terminals



- **Screw terminals**
- Interlock with protection against incorrect locking
- Thermoplastic enclosure
- Compact design
- Manual release
- Long life
- Double insulated
- High holding force 1,000 N
- Power to unlock/power to lock principle
- 1 cable entry M20 cord grip

Approvals



Ordering details

AZM 170①-②Z③K④-⑤-⑥⑦

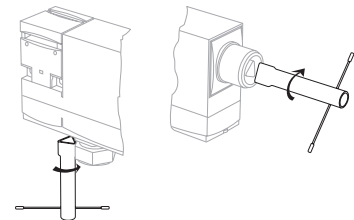
No.	Option	Description
①	SK	Cut clamp
②	11	Screw terminals
	02	1NO/1NC
③		2NC
	R	Latching force 5 N
④		Latching force 30 N
	A	Power to unlock
		Power to lock
⑤		Cable gland
	ST	Connector M12
	ST-2431	Connector M12, with individual solenoid monitoring

Ordering details

AZM 170①-②Z③K④-⑤-⑥⑦

No.	Option	Description
⑥	2197	Manual release
		Manual release from side (standard for connector and power to unlock principle)
⑦	1637	Gold-plated contacts
	24VAC/DC	Us 24 VAC/DC
	110VAC	Us 110 VAC
	230VAC	Us 230 VAC

Note



Manual release (left)

- Included on standard version
 - For manual release using M5 triangular key,
- #### Manual release from side (right)
- Additional manual release on side, ordering suffix -2197
 - Only available for power to unlock principle

Solenoid interlocks

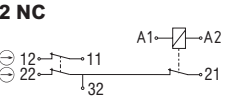
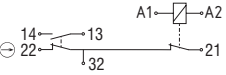
Technical data

Standards: IEC/EN 60947-5-1, EN ISO 13849-1, BG-GS-ET-19
 Enclosure: glass fiber reinforced thermoplastic, self-extinguishing
 Actuator and locking bolt: stainless steel 1.4301
 Protection class: IP67 to EN 60529
 Contact material: silver
 Contact type: change-over contact with double break, type Zb or 2 NC contacts, with galvanically separated contact bridges
 Switching principle: IEC 60947-5-1 slow action, NC contacts with positive break
 Cable type: flexible with insulated conductor ferrules
 Cable section:
 - cut clamp terminals: 0.75 ... 1.0 mm²
 - screw terminals: 0.25 ... 1.5 mm²
 U_{imp}: 4 kV
 U_i: 250 V
 I_{the}: 6 A
 Utilization category: AC-15, DC-13
 I_e/U_e: 4 A / 230 VAC
 4 A / 24 VDC
 Max. fuse rating: 6 A gG D-fuse
 Positive break travel: 11 mm
 Positive break force: 8.5 N for each NC contact fitted
 Magnet: 100% ED
 U_s: 24 VAC/DC
 110 VAC, 50/60 Hz
 230 VAC, 50/60 Hz
 Power consumption: max. 10 W
 Ambient temperature: -25 °C ... +60 °C
 Mechanical life: > 1 million operations
 F_{max}: 1,000 N
 Latching force: 30 N for ordering suffix R
 Actuating speed: max. 2 m/s

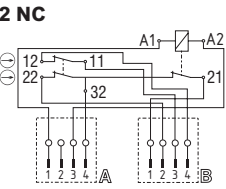
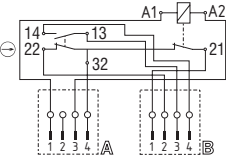
Classification:
 Standards: EN ISO 13849-1
 B_{10d} (NC): 2,000,000
 Mission time: 20 years
 $MTTF_d = \frac{B_{10d}}{0,1 \times n_{op}}$ $n_{op} = \frac{d_{op} \times h_{op} \times 3600 \text{ s/h}}{t_{cycle}}$

Contact variants

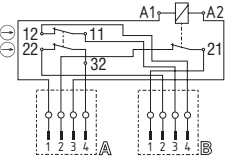
Power to unlock
1 NO / 1 NC



Connector
1 NO / 1 NC

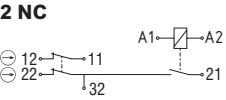
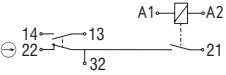


2 NC with individual solenoid monitoring (Ordering suffix -ST-2431)

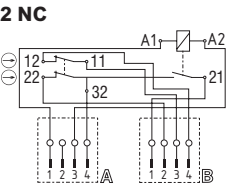
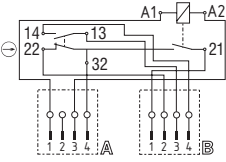


Contact variants

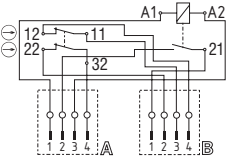
Power to lock
1 NO / 1 NC



Connector
1 NO / 1 NC



2 NC with individual solenoid monitoring (Ordering suffix -ST-2431)



Note

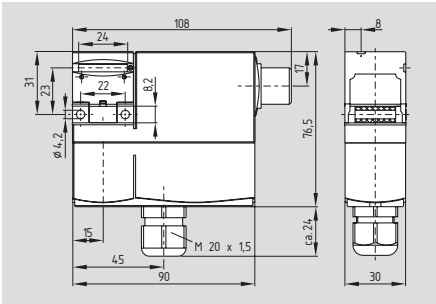
The contact 21-32 is actuated when A1-A2 is energized or de-energized.
 At least one magnetic contact with positive break ⊖ must be integrated in the safety circuit.
 Circuit diagrams show de-energized condition with actuator inserted.
 Interlocks with power to lock principle may only be used in special cases after a thorough evaluation of the accident risk, since the guarding device can immediately be opened on failure of the electrical power supply or when the main switch is opened.

Note

Actuators and connector plugs must be ordered separately. (refer to page 1-34)

Solenoid interlocks

AZM 170SK-../..



- **Screw terminals**
- Interlock with protection against incorrect locking.
- Thermoplastic enclosure
- Compact design
- Manual release from side
- Long life
- Double-insulated \square
- High holding force 1,000 N
- With latching force 30 N or 5 N
- Power to unlock / power to lock principle
- 1 cable entry M20 cord grip
- EX version available

Approvals

* under preparation



Ordering details

AZM 170SK-①Z②K③-④-⑤-024

No.	Option	Description
①	12/00	1NO 2NC / -
	11/11	1NO 1NC / 1NO 1NC
	11/02	1NO 1NC / 2NC
	02/01	2NC / 1NC
	02/10	2NC / 1NO
②		Latching force 5 N
	R	Latching force 30 N
③		Power to unlock
	A	Power to lock
④	1637	Gold-plated contacts
⑤	2197	Manual release for power to unlock principle

Technical data

Standards: IEC/EN 60947-5-1
EN ISO 13849-1
BG-GS-ET-19

Enclosure: glass fiber reinforced thermoplastic, self-extinguishing

Actuator and locking bolt: stainless steel 1.4301

Protection class: IP67 to EN 60529

Contact material: silver

Contact type: change-over contact with double break, type Zb with galvanically separated contact bridges

Switching principle: \ominus IEC 60947-5-1
slow action, NC contacts with positive break

Cable gland: M20

Connection: screw terminals

Cable type: flexible with insulated conductor ferrules

Cable section: min. 0.25 mm²
max. 1.5 mm²
(incl. conductor ferrules)

U_{imp} : 4 kV

U_i : 250 V

I_{the} : 6 A

Utilization category: DC-13

I_e/U_e : 4 A / 24 VDC

Max. fuse rating: 6 A gG D-fuse

Positive break travel: 11 mm

Positive break force: 8.5 N for each NC contact fitted

Magnet: 100% ED

U_s : 24 VDC

Power consumption: max. 10 W

Ambient temperature: -25 °C ... +60 °C

Mechanical life: > 1 million operations

F_{max} : 1,000 N

Latching force: 30 N for ordering suffix R

Actuating speed: max. 2 m/s

Classification:

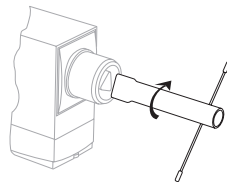
Standards: EN ISO 13849-1

B_{10d} (NC): 2,000,000

Mission time: 20 years

$$MTTF_d = \frac{B_{10d}}{0,1 \times n_{op}} \quad n_{op} = \frac{d_{op} \times h_{op} \times 3600 \text{ s/h}}{t_{cycle}}$$

Note



Manual release from side

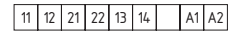
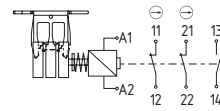
- For manual release using M5 triangular key, available as accessory
- Manual release available for power to unlock principle
- Ordering suffix -2197

Contact variants

Power to unlock

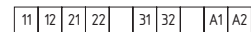
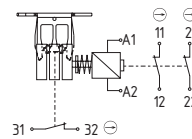
1 NO 2 NC

(Ordering suffix -12/00)



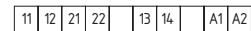
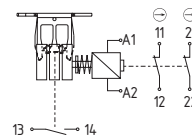
2 NC / 1 NC

(Ordering suffix -02/01)



2 NC / 1 NO

(Ordering suffix -02/10)



Note

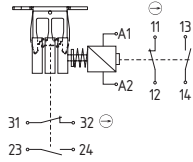
Circuit diagrams show de-energized condition with actuator inserted.

At least one magnetic contact with positive break \ominus must be integrated in the safety circuit.

Solenoid interlocks

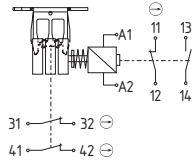
Contact variants

Power to unlock
1 NO 1 NC / 1 NO 1 NC
(Ordering suffix -11/11)



11	12	13	14	23	24	31	32	A1	A2
----	----	----	----	----	----	----	----	----	----

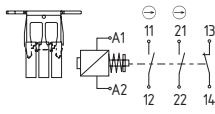
1 NO 1 NC / 2 NC
(Ordering suffix -11/02)



11	12	13	14	31	32	41	42	A1	A2
----	----	----	----	----	----	----	----	----	----

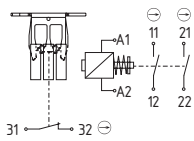
Contact variants

Power to lock
1 NO 2 NC
(Ordering suffix -12/00)



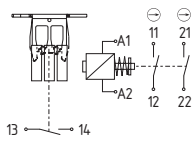
11	12	21	22	13	14	A1	A2
----	----	----	----	----	----	----	----

2 NC / 1 NC
(Ordering suffix -02/01)



11	12	21	22	31	32	A1	A2
----	----	----	----	----	----	----	----

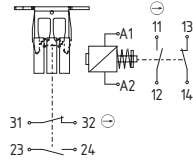
2 NC / 1 NO
(Ordering suffix -02/10)



11	12	21	22	13	14	A1	A2
----	----	----	----	----	----	----	----

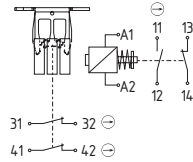
Contact variants

Power to lock
1 NO 1 NC / 1 NO 1 NC
(Ordering suffix -11/11)



11	12	13	14	23	24	31	32	A1	A2
----	----	----	----	----	----	----	----	----	----

1 NO 1 NC / 2 NC
(Ordering suffix -11/02)



11	12	13	14	31	32	41	42	A1	A2
----	----	----	----	----	----	----	----	----	----

Note

Interlocks with power to lock principle may only be used in special cases after a thorough evaluation of the accident risk, since the guarding device can immediately be opened on failure of the electrical power supply or when the main switch is opened.

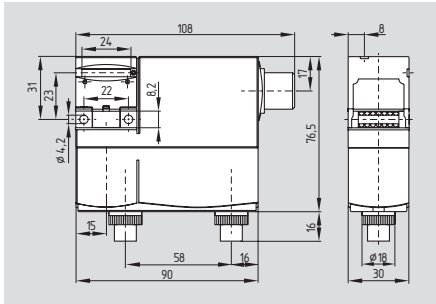
Note

Actuators must be ordered separately. (refer to page 1-34)

Note

Solenoid interlocks

AZM 170ST-.../..



- **Plug-in connector**
- Interlock with protection against incorrect locking.
- Thermoplastic enclosure
- Compact design
- Manual release from side
- Long life
- Double-insulated □
- High holding force 1,000 N
- With latching force 30 N or 5 N
- Power to unlock / power to lock principle
- Plug-in connector can be rotated
- Plug-in connectors required: 4- and 8-poles
- EX version available

Technical data

Standards: IEC/EN 60947-5-1
EN ISO 13849-1
BG-GS-ET-19

Enclosure: glass fiber reinforced
thermoplastic, self-extinguishing

Actuator and locking bolt: stainless steel 1.4301

Protection class: IP67 to EN 60529

Contact material: silver

Contact type: change-over contact with double break, type Zb with galvanically separated contact bridges

Switching principle: ⊖ IEC 60947-5-1
slow action, NC contacts with positive break

Connection: connector

U_{imp} : 0.8 kV

U_i : 60 V

I_{the} : 2 A

Utilization category: DC-13

I_e/U_e : 2 A / 24 VDC

Max. fuse rating: 2 A gG D-fuse

Positive break travel: 11 mm

Positive break force: 8.5 N for each NC contact fitted

Magnet: 100% ED

U_s : 24 VDC

Power consumption: max. 10 W

Ambient temperature: -25 °C ... +60 °C

Mechanical life: > 1 million operations

F_{max} : 1,000 N

Latching force: 30 N for ordering suffix R

Actuating speed: max. 2 m/s

Classification:

Standards: EN ISO 13849-1

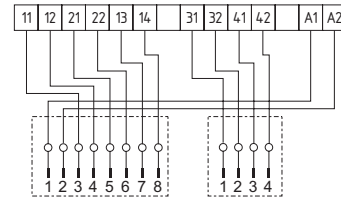
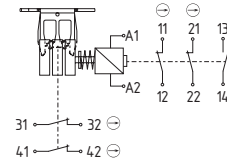
B_{10d} (NC): 2,000,000

Mission time: 20 years

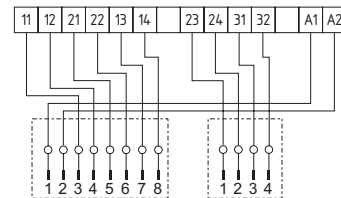
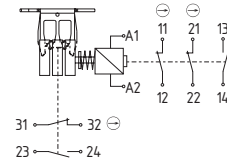
$$MTTF_d = \frac{B_{10d}}{0,1 \times n_{op}} \quad n_{op} = \frac{d_{op} \times h_{op} \times 3600 \text{ s/h}}{t_{cycle}}$$

Contact variants

Power to unlock
1 NO 2 NC / 2 NC
(Ordering suffix -12/02)



1 NO 2 NC / 1 NO 1 NC
(Ordering suffix -12/11)



Approvals

* * under preparation

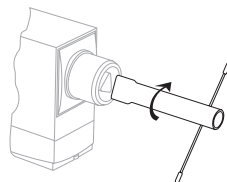


Ordering details

AZM 170ST-①Z②K③-④-⑤-024

No.	Option	Description
①	12/11	1NO 2NC / 1NO 1NC
	12/02	1NO 2NC / 2NC
	11/11	1NO 1NC / 1NO 1NC
	11/02	1NO 1NC / 2NC
②		Latching force 5 N
	R	Latching force 30 N
③		Power to unlock
	A	Power to lock
④	1637	Gold-plated contacts
⑤	2197	Manual release for power to unlock principle

Note



Manual release from side

- For manual release using M5 triangular key, available as accessory
- Manual release available for power to unlock principle
- Ordering suffix -2197

Note

Connector M12

4-pole



8-pole

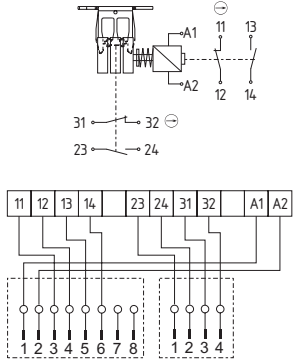


Actuators and connector plugs must be ordered separately. (refer to page 1-34)

Solenoid interlocks

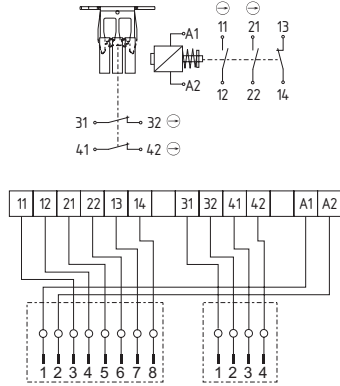
Contact variants

Power to unlock
1 NO 1 NC / 1 NO 1 NC
(Ordering suffix -11/11)



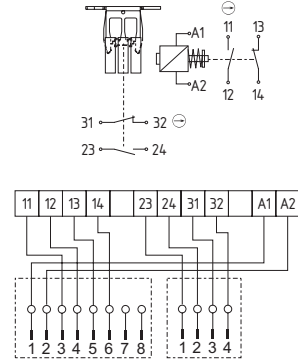
Contact variants

Power to lock
1 NO 2 NC / 2 NC
(Ordering suffix -12/02)

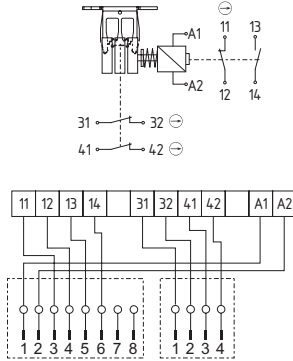


Contact variants

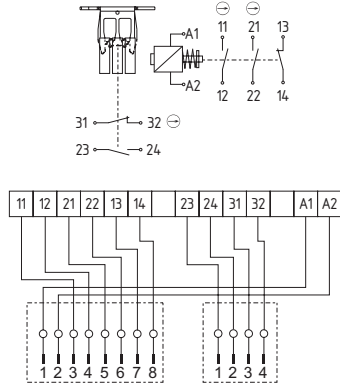
Power to lock
1 NO 1 NC / 1 NO 1 NC
(Ordering suffix -11/11)



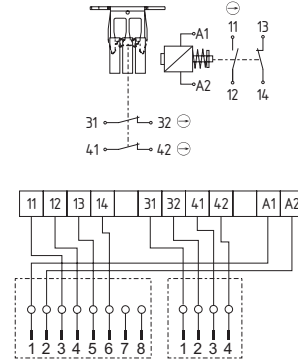
1 NO 1 NC / 2 NC
(Ordering suffix -11/02)



1 NO 2 NC / 1 NO 1 NC
(Ordering suffix -12/11)



1 NO 1 NC / 2 NC
(Ordering suffix -11/02)



Note

Circuit diagrams show de-energized condition with actuator inserted.

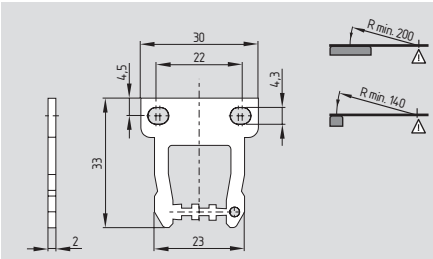
At least one magnetic contact with positive break \ominus must be integrated in the safety circuit.

Note

Interlocks with power to lock principle may only be used in special cases after a thorough evaluation of the accident risk, since the guarding device can immediately be opened on failure of the electrical power supply or when the main switch is opened.

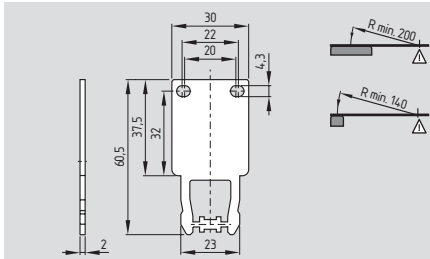
Solenoid interlocks

System components



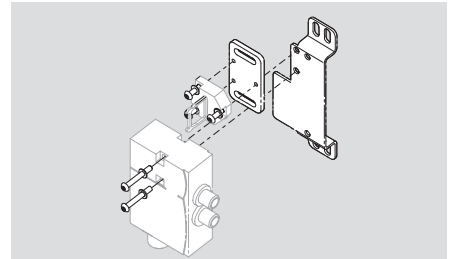
Straight actuator AZ 17/170-B1

System components

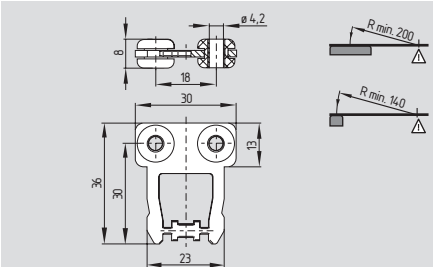


Long straight actuator AZ 17/170-B11

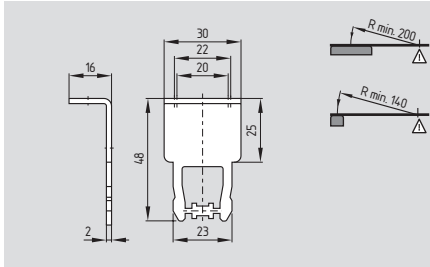
System components



Mounting set MS AZM 170



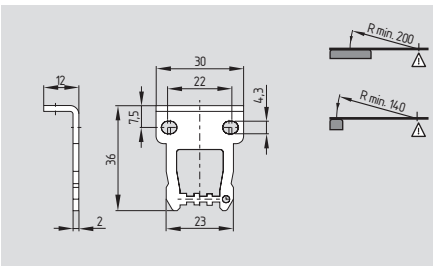
AZ 17/170-B1-2245 with rubber mounting



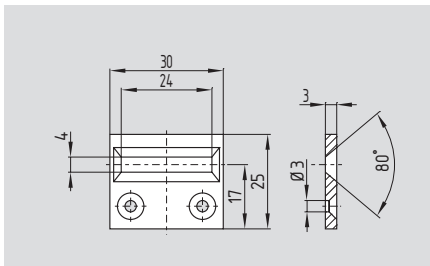
Long angled actuator AZ 17/170-B15



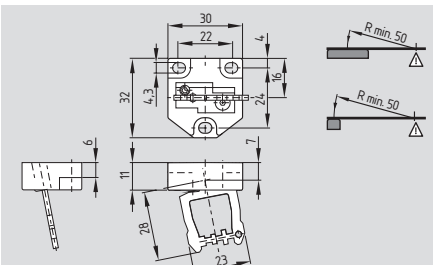
Connector plug



Angled actuator AZ 17/170-B5



Centering guide AZM 170-B



Flexible actuator AZM 170-B6

Ordering details

Straight actuator
with rubber mounting
Angled actuator
Flexible actuator

AZ 17/170-B1
AZ 17/170-B1-2245
AZ 17/170-B5
AZM 170-B6

Long straight actuator
Long angled actuator
Centering guide

AZ 17/170-B11
AZ 17/170-B15
AZM 170-B

Centering device

Mounting outside
Mounting inside
(Product information see page 1-52)

TFA-020
TFI-020

Ordering details

Mounting sets

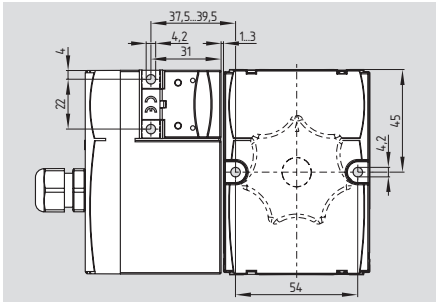
MS AZM 170 P
MS AZM 170 R/P

Connector plug M12

without cable, 4-poles: **101209950**
with 5m cable, 4-poles: **101208523**
with 5m cable, 8-poles: **103011412**
Without cable, 4-poles, B-code **101209976**
With 5m cable, 4-poles, B-code **101209938**
Tamperproof screws with unidirectional slots
(without drawing)
M4 x 8 **101147463**
(Quantity 2 pcs)

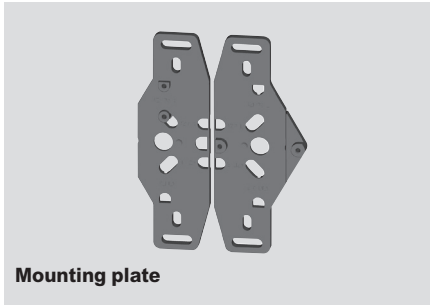
Solenoid interlocks

Actuator AZM 170-B25

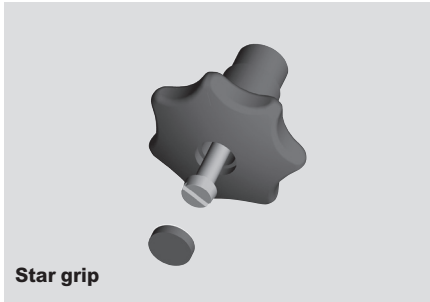


- Door-handle actuator for solenoid interlocks AZM 170-...ZRK (latching)
- Ergonomic operation
- No supplementary door-handle required
- No protruding actuator
- Simple mounting
- Several door-handles available
- Possibility to mount the own handles using a default square screw (8 mm)
- Mounting plate for fitting to standard profiles optionally available

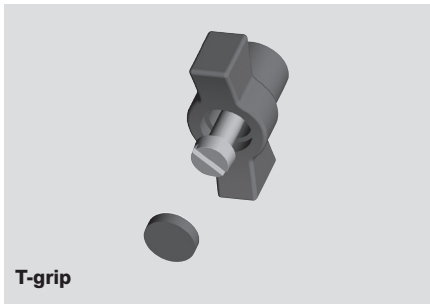
System components



Mounting plate



Star grip



T-grip

Note

The safety switch or solenoid interlock is not included in delivery and must be ordered separately.

Please note that you need a device with latching (R).

The technical data of the AZM 170-...ZRK solenoid interlock can be found in the main catalog page 1-28 or in the online catalog at www.usa.schmersal.net

Approvals



Ordering details

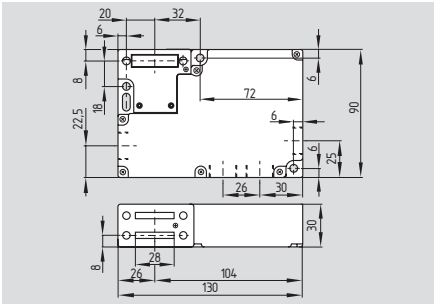
AZM 170-B25-①-②		
No.	Option	Description
①	L	Door hinge left
	R	Door hinge right (View directed towards the inside of the hazardous area)
②	G0	Actuator without handle
	G1	Star grip
	G2	T-grip

Ordering details

MP AZ 17/170-B25	
Description	Option
Mounting plate	
Star grip	G1
T-grip	G2

Solenoid interlocks

AZM 161



- Interlock with protection against incorrect locking
- Thermoplastic enclosure
- 6 contacts
- Manual release, emergency exit or emergency release
- Long life
- Double insulated \square
- High holding force 2,000 N
- Large wiring compartment
- Power to unlock/power to lock principle
- Screw terminals or cage clamps or connector
- 4 cable entries M16
- EX version available
- AS-Interface Safety at Work available

Approvals



Ordering details

AZM 161 ①-②③**K**④-⑤-⑥

No.	Option	Description
①	CC	Cage clamp
	SK	Screw terminals
	ST	Connector M12
②	11/03 *	1NO/4NC with connector
	11/12 *	2NO/3NC with connector
	12/03 *	1NO/5NC
	12/11 *	2NO/3NC with connector
③	12/12	2NO/4NC
	R	Latching force 5 N
④	R	Latching force 30 N
	A	Power to unlock Power to lock

Technical data

Standards: IEC/EN 60947-5-1;
EN ISO 13849-1;
EN 1088; BG-GS-ET-19

Enclosure: glass fiber reinforced
thermoplastic,
self-extinguishing

Actuator and locking bolt: stainless steel 1.4301

Protection class: IP67 to EN 60529

Contact material: silver

Contact type: change-over contact with
double break, type Zb, with
galvanically separated
contact bridges

Switching principle: \ominus IEC 60947-5-1
slow action, NC contacts
with positive break

Connection: screw terminals
or cage clamps
or connector

Cable type: flexible

Cable section: min. 0.25 mm²
max. 1.5 mm²
(incl. conductor ferrules)

Cable entry: 4 x M16

U_{imp} :
- screw terminals or cage clamps: 4 kV
- connector, 4-pole: 2.5 kV
- connector, 8-pole: 0.8 kV

U_i :
- screw terminals or cage clamps, connector, 4-pole: 250 V
- connector, 8-pole: 60 V

I_{the} :
- screw terminals or cage clamps: 6 A
- connector, 4-pole: 4 A
- connector, 8-pole: 2 A

Utilization category: AC-15, DC-13

I_e/U_e :
- connector, 4-pole: 4 A / 230 VAC
2.5 A / 24 VDC
- connector, 8-pole: 2 A / 60 VDC

Max. fuse rating: 6 A gG D-fuse

Positive break travel: 10 mm

Positive break force: 10 N for each
NC contact fitted

U_s : 24 VAC/DC,

Technical data

110/230 VAC, 50/60Hz

Magnet: 100% ED

Power consumption: max. 10 W

Ambient temperature: -25 °C ... +60 °C

Mechanical life: > 1 million operations

F_{max} : 2,000 N

Latching force: 30 N for ordering
suffix R

Classification:

Standards: EN ISO 13849-1

B_{10d} (NC): 2,000,000

Mission time: 20 years

$MTTF_d = \frac{B_{10d}}{0,1 \times n_{op}}$ $n_{op} = \frac{d_{op} \times h_{op} \times 3600 \text{ s/h}}{t_{cycle}}$

Ordering details

AZM 161 ①-②③**K**④-⑤-⑥

No.	Option	Description
⑤	ED	Manual release lateral on cover-side
	EU	at the rear
	T	Emergency exit lateral on cover-side
	TU	at the rear
	N	Emergency release
⑥	024	U_s 24 VAC/DC
	110/230	U_s 110/230 VAC

* only available in 24V AC/DC models

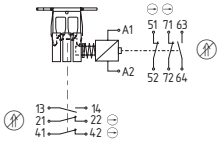
Actuators ordered separately
(refer to page 1-39)

Note: 24V AC/DC models available with inte-
grated LED. Add suffix G

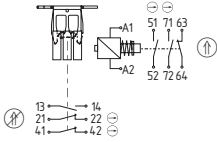
Solenoid interlocks

Contact variants

Power to unlock



Power to lock

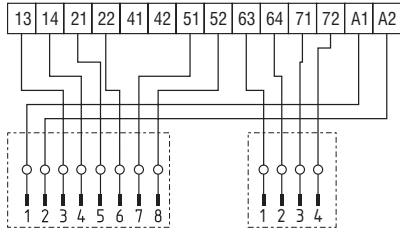


2 NO / 4 NC (12/12)

13	14	21	22	41	42	51	52	63	64	71	72	A1	A2
----	----	----	----	----	----	----	----	----	----	----	----	----	----

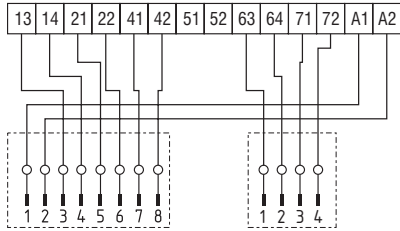
Connector

2 NO / 3 NC (12/11)



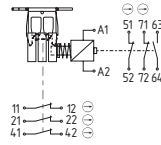
Connector

2 NO / 3 NC (11/12)

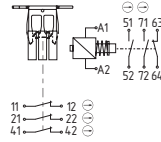


Contact variants

Power to unlock



Power to lock

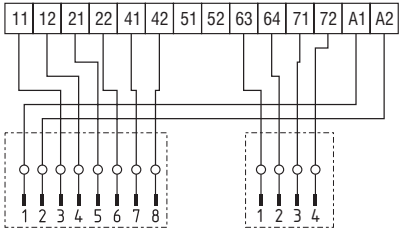


1 NO / 5 NC (12/03)

11	12	21	22	41	42	51	52	63	64	71	72	A1	A2
----	----	----	----	----	----	----	----	----	----	----	----	----	----

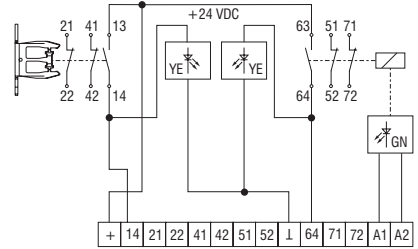
Connector

1 NO / 4 NC (11/03)



Contact variants with LED

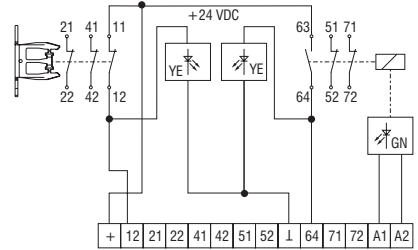
2 NO / 4 NC (12/12)



Legend

- 14 safety guard open / LED on
- + +24 VDC
- ⊥ 0 VDC
- 64 unlocked / LED on

1 NO / 5 NC (12/03)



Legend

- 12 safety guard closed / LED on
- + +24 VDC
- ⊥ 0 VDC
- 64 unlocked / LED on

Note

At least one magnetic contact with positive break \ominus must be integrated in the safety circuit.

Contact variants show de-energized condition with actuator inserted.

Note

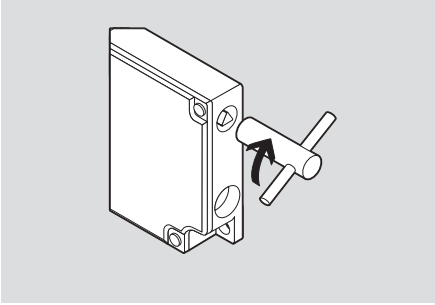
Interlocks with power to lock principle may only be used in special cases after a thorough evaluation of the accident risk, since the guarding device can immediately be opened on failure of the electrical power supply or when the main switch is opened.

Note

The contacts with LED are shown in closed and locked condition.

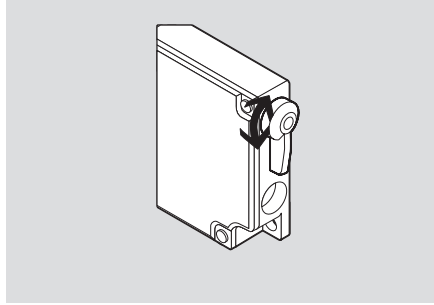
Solenoid interlocks

AZM 161..-12/12...



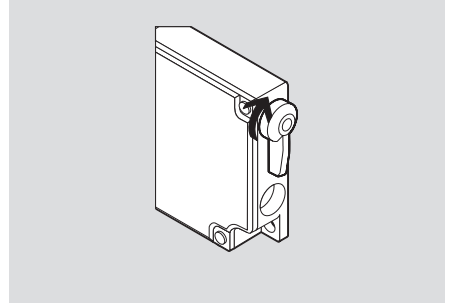
- **Manual release**
- For manual release using M5 triangular key, available as accessory
- For maintenance, setting-up, etc.

AZM 161..-12/12...T



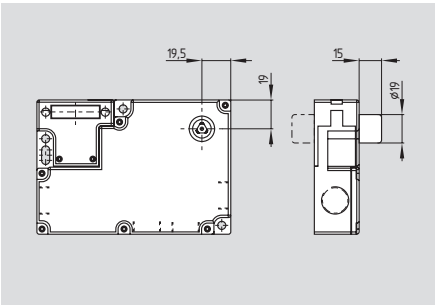
- **Emergency exit**
- For cases of danger
- Actuation from within the hazardous area

AZM 161..-12/12...N



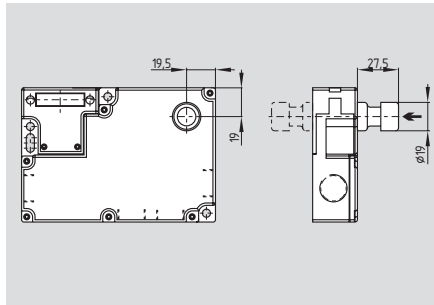
- **Emergency release**
- For cases of danger
- Mounting only outside the guarded area

AZM 161..-12/12...E.



- **Manual release**
- For manual release using M5 triangular key, available as accessory
- For maintenance, setting-up, etc.
- Cover-side fitting (ordering suffix **ED**) or rear fitting (ordering suffix **EU**) enabled

AZM 161..-12/12...T.



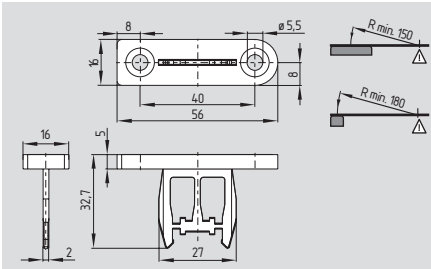
- **Emergency exit**
- The emergency exit is used if an already locked dangerous area needs to be evacuated
- Emergency exit by pressing the red push-button
- Reset by pulling on the red push-button
- Cover-side fitting (ordering suffix **TD**) or rear fitting (ordering suffix **TU**) enabled

Note

Combining the manual release and the emergency exit in different mounting directions is only possible with the following combination:
ED/TU and TD/EU

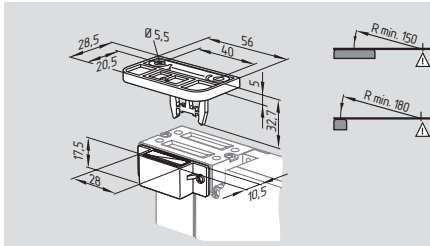
Solenoid interlocks

System components



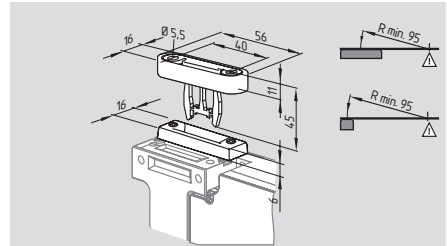
Straight actuator B1

System components

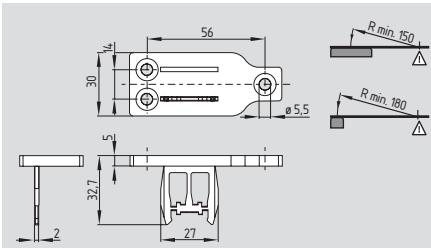


Actuator with magnetic latch B1-1747

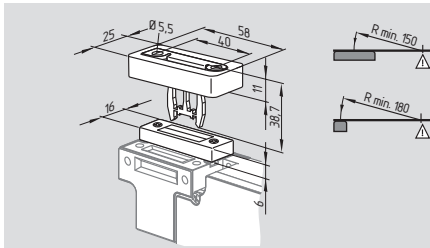
System components



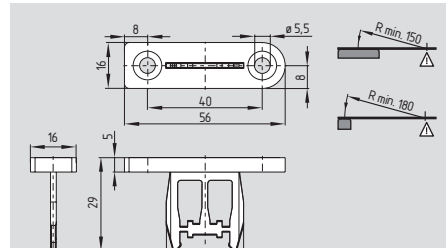
Actuator with centering guide B6-2177



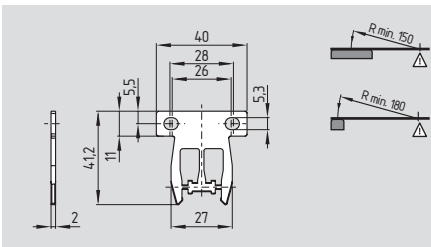
Straight actuator B1E



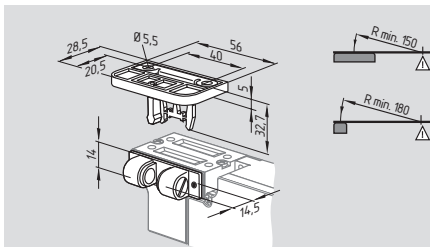
Actuator with slot lip-seal B1-2024



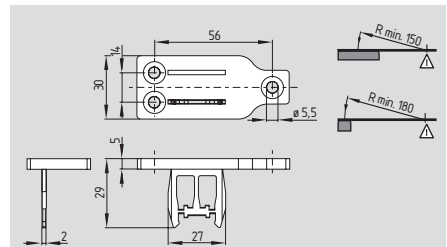
Shortened straight actuator B1S



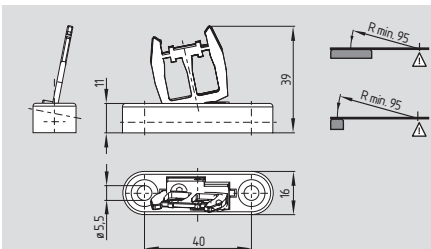
Straight actuator B1F



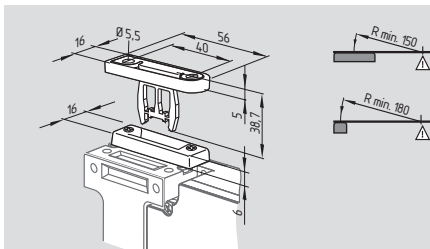
Actuator with ball latch B1-2053



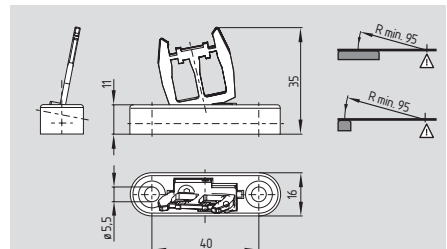
Shortened straight actuator B1ES



Flexible actuator B6



Actuator with centering guide B1-2177



Shortened angled actuator B6S

Ordering details

Straight actuator
Straight actuator
Straight actuator
Flexible actuator

AZM 161-B1
AZM 161-B1E
AZM 161-B1F
AZM 161-B6

Straight actuator
with magnetic latch
with slot lip-seal
with ball latch
with centering guide

AZM 161-B1-1747
AZM 161-B1-2024
AZM 161-B1-2053
AZM 161-B1-2177

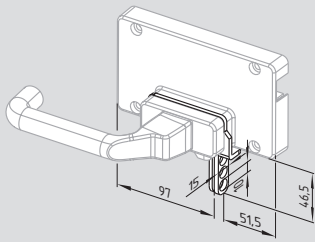
Ordering details

Flexible actuator
with centering guide
Shortened straight actuator
Shortened straight actuator
Shortened angled actuator

AZM 161-B6-2177
AZM 161-B1S
AZM 161-B1ES
AZM 161-B6S

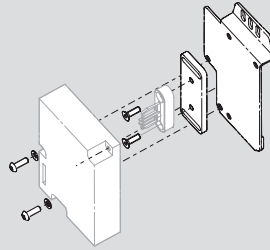
Solenoid interlocks

System components



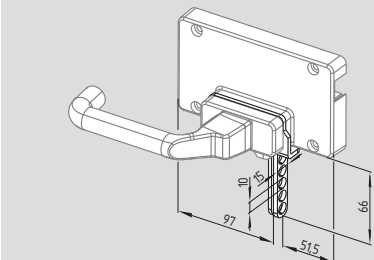
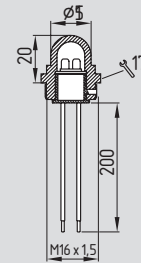
Lockout tag SZ 415-1/-2

System components

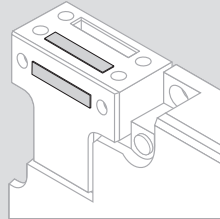


Mounting set MS AZM 161

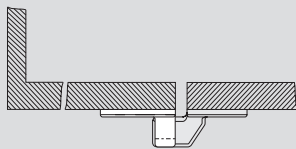
System components



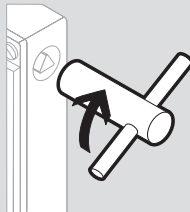
Lockout tag SZ 415-1/-2 -2477



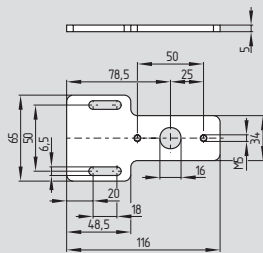
Slot sealing plug AZM 161



Centering device TF.



Triangular key AZM KEY



Mounting plate MP TG-01



Connector plug

Ordering details

Lockout tag
for ...STS30-01/-03/-06/-08 **SZ 415-1**
for ...STS30-02/-04/-05/-07 **SZ 415-2**
Lockout tag with 5 circular holes
for ...STS30-01/-03/-06/-08 **SZ 415-1-2477**
for ...STS30-02/-04/-05/-07 **SZ 415-2-2477**
**Centering device only for AZ 16-STS30...
and AZM 161-STS30...:**
Mounting outside **TFA-020**
Mounting inside **TFI-020**
(Product information see page 1-52)
Mounting plate **MP TG-01**

Ordering details

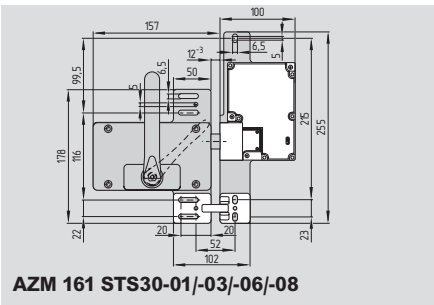
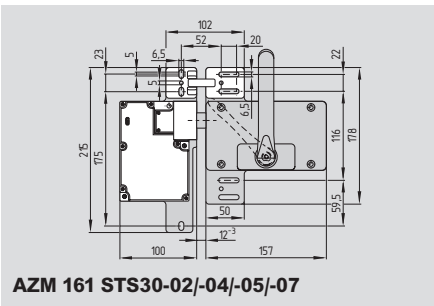
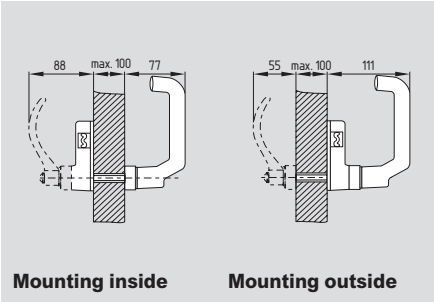
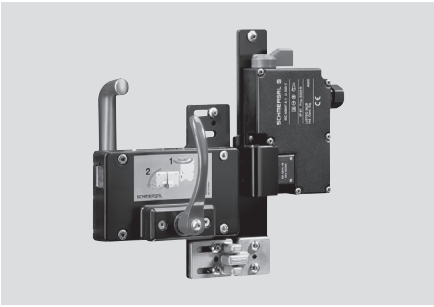
Mounting sets **MS AZM 161 P**
MS AZM 161 R/P
Slot sealing plug AZM 161 **101145379**
Triangular key M5 **AZM KEY**
Connector **plugs on request**
(with 8-pole connector only
24 VAC/DC variant possible!)
Tamperproof screws with
unidirectional slots (without drawing)
M5 x 12 **101135338**
M5 x 16 **101135339**
M5 x 20 **101135340**
(Quantity 2 pcs)

Ordering details

Signaling lamp PL-M16-24V **101150876**
(LED 24 VDC)
Signaling lamp PL-M16-120V **801000503**
(LED 120 VDC)

Solenoid interlocks

AZM 161-STS30...



Note

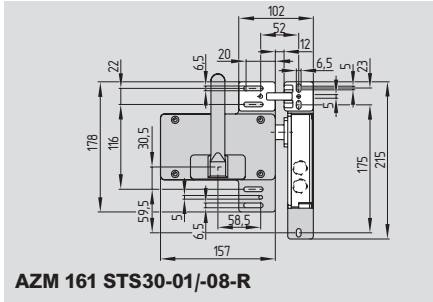
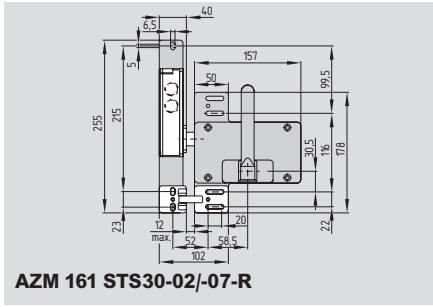
Included in delivery

- Mounting plate for safety switch
- Actuator incl. mounting plate
- Emergency handle (for variant -05 and -06 incl. mounting plate)

Ordering example

To order, first choose the desired safety switch and then the door handle system:
for example AZM SK-12/12RK-T-024 and
AZM 161-STS30-01

Mounting right-angled



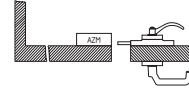
Ordering details

Mounting right-angled
to safety guard
(only STS30-01, -02, -07, 08)

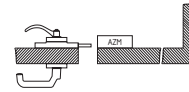
Ordering suffix -R

System variants

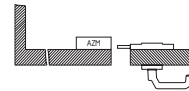
AZM 161-STS30-01



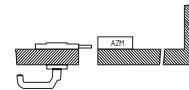
AZM 161-STS30-02



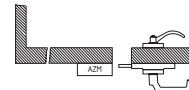
AZM 161-STS30-03



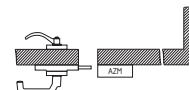
AZM 161-STS30-04



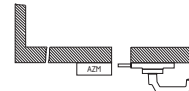
AZM 161-STS30-05*



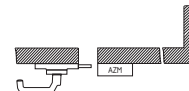
AZM 161-STS30-06*



AZM 161-STS30-07



AZM 161-STS30-08



The drawings are always shown with a view to the switch.

Ordering details

Mounting inside

with emergency handle

- | | |
|---------------------------------|-------------------------|
| door hinge right | AZM 161-STS30-01 |
| door hinge left | AZM 161-STS30-02 |
| without emergency handle | |
| door hinge right | AZM 161-STS30-03 |
| door hinge left | AZM 161-STS30-04 |

Mounting outside

with emergency handle

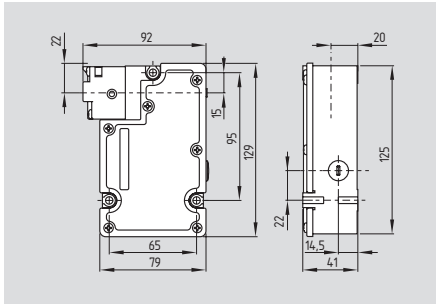
- | | |
|------------------|--------------------------|
| door hinge right | AZM 161-STS30-05* |
| door hinge left | AZM 161-STS30-06* |
- (* only for power to lock)

without emergency handle

- | | |
|------------------|-------------------------|
| door hinge right | AZM 161-STS30-07 |
| door hinge left | AZM 161-STS30-08 |

Solenoid interlocks

TZM/TZF



- Interlock with protection against incorrect locking
- Thermoplastic enclosure
- Manual release, emergency exit or emergency release
- Long life
- Double insulated □
- Holding force 1500 N
- Wiring compartment
- Power to unlock/power to lock principle
- 1 cable entry M20
- Actuating play 11 mm in direction of actuation
- With LED on request

Technical data

Standards: IEC/EN 60947-5-1
BG-GS-ET-19

Enclosure: glass fiber reinforced thermo-plastic, self-extinguishing

Actuator and locking bolt: zinc-plated steel / zinc diecast

Protection class: IP67;
Ordering suffix NF: IP65

Contact material: silver

Contact type: change-over contact with double break, type Zb or 2 NC contacts, with galvanically separated contact bridges

Switching principle: ⊖ IEC 60947-5-1
slow action,
NC contact with positive break

Connection: self-opening screw terminals

Cable section: max. 2.5 mm²
(incl. conductor ferrules)

Cable entry: M20

U_{imp}: 2.5 kV

U_i: 320 V

I_{the}: 4 A

Utilization category: AC-15, DC-13

I_e/U_e: 4 A / 230 VAC
4 A / 24 VDC

Max. fuse rating: 4 A gG D-fuse

Positive break travel: 2 x 3.5 mm

Positive break force: 20 N

Magnet: 100% ED

U_s: 24 VDC

110 VAC, 50/60 Hz
230 VAC, 50/60 Hz

Power consumption: max. 8.5 W

Ambient temperature: 0 °C ... + 50 °C

Mechanical life: 1 million operations

F_{max}: 1,500 N

Latching force: 20 N

Classification:

Standards: EN ISO 13849-1

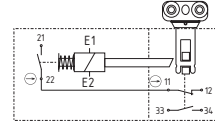
B_{10d} (NC): 2,000,000

Mission time: 20 years

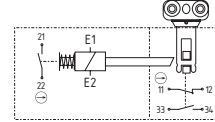
$$MTTF_d = \frac{B_{10d}}{0,1 \times n_{op}} \quad n_{op} = \frac{d_{op} \times h_{op} \times 3600 \text{ s/h}}{t_{cycle}}$$

Contact variants

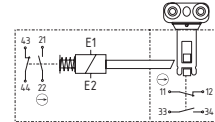
Magnet-operated 2 NC in series / 1 NO



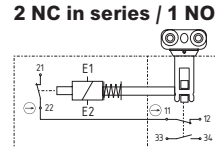
2 NC / 1 NO



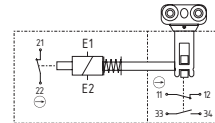
2 NO / 2 NC



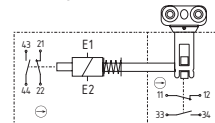
Spring-operated 2 NC in series / 1 NO



2 NC / 1 NO



2 NO / 2 NC



Approvals



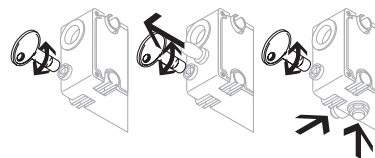
Ordering details

TZ ① ② ③ ④

No.	Option	Description
①	F	Spring-operated
	M	Magnet-operated
②	W	2 NC in series / 1 NO
	CW*	2 NC / 2 NO
③	S	Manual release
	N	Emergency release
	NF	Emergency exit and manual release
④	24VDC	24 VDC
	110VAC	110 VAC
	230VAC	230 VAC

* available in 24VDC only

Note



Manual release (left)

- For manual unlocking using triangular key TZ-69 (included in delivery)
- For maintenance, setting-up, etc.

Emergency release (middle)

- For cases of danger
- Mounting only outside the guarded area

Emergency exit (right)

- For cases of danger
- Actuation from within the hazardous area

Note

Contact 21-22 must be integrated in the safety circuit. Contact symbols shown for the closed condition of the guard device.

Interlocks with power to lock principle may only be used in special cases after a thorough evaluation of the accident risk, since the guarding device can immediately be opened on failure of the electrical power supply or when the main switch is opened.

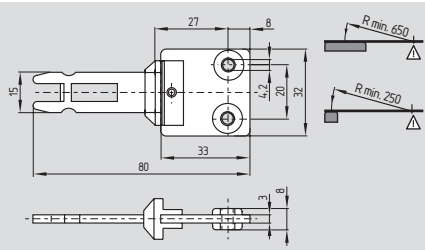
For the version with LED, the monitoring contacts are not potential-free

The actuator TZ/CO is included in delivery.

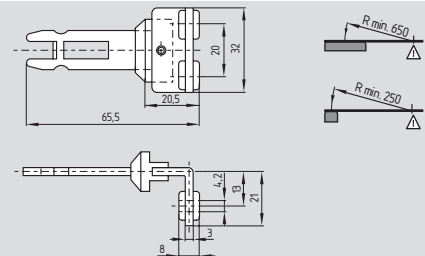
Other contacts variants on request

Solenoid interlocks

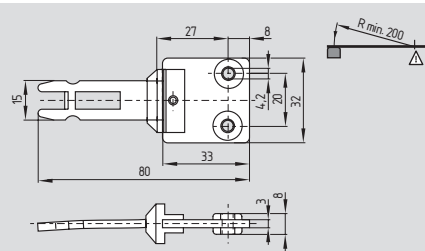
System components



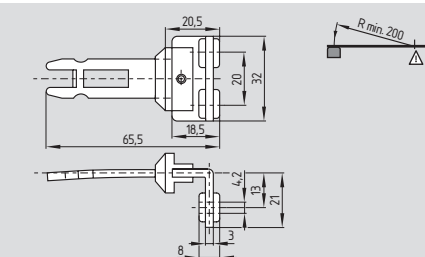
Straight actuator TZ/CO



Angled actuator TZ/CW



Straight radius actuator TZ/COR

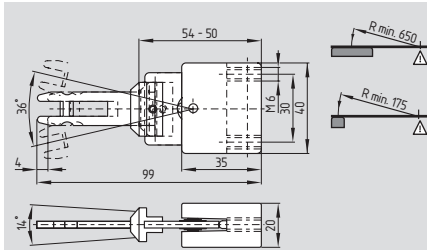


Angled radius actuator TZ/CWR

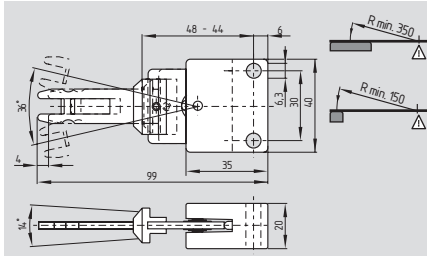
Ordering details

Straight actuator **TZ/CO**
 Angled actuator **TZ/CW**
 Straight radius actuator **TZ/COR**
 Angled radius actuator **TZ/CWR**

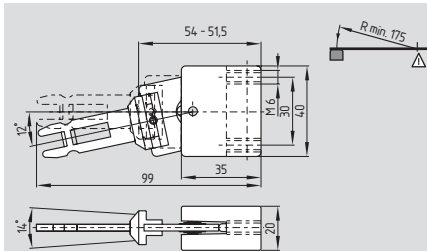
System components



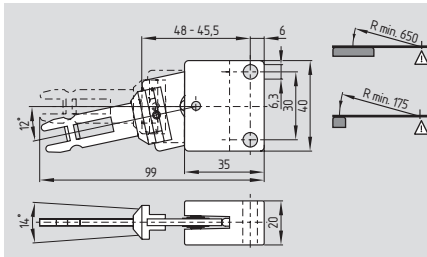
Flexible actuator TZ/COF/HIS.1



Flexible actuator TZ/COF/HIS.2



Flexible actuator TZ/CORF/HIS.1

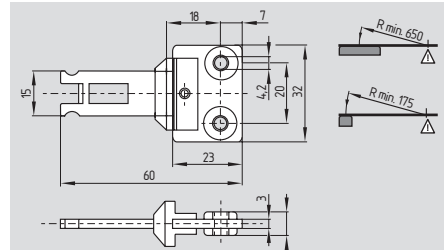


Flexible actuator TZ/CORF/HIS.2

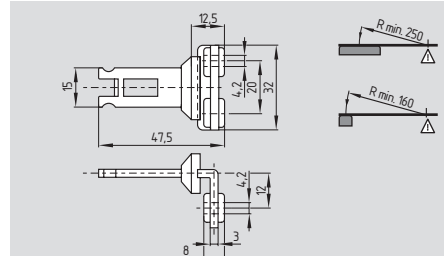
Ordering details

Flexible actuator **TZ/COF/HIS.1**
 Flexible actuator **TZ/COF/HIS.2**
 Flexible actuator **TZ/CORF/HIS.1**
 Flexible actuator **TZ/CORF/HIS.2**

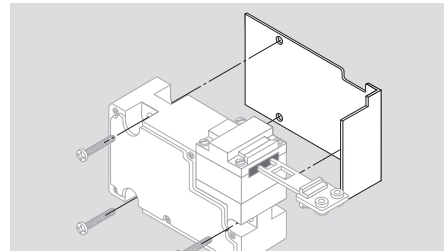
System components



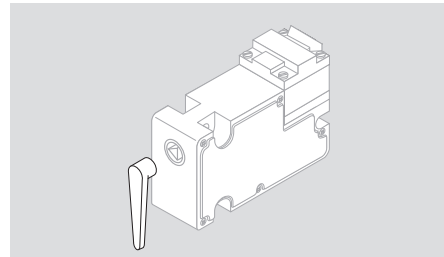
Shortened straight actuator TZ/CK



Shortened angled actuator TZ/CWK



Mounting plate TZ-44



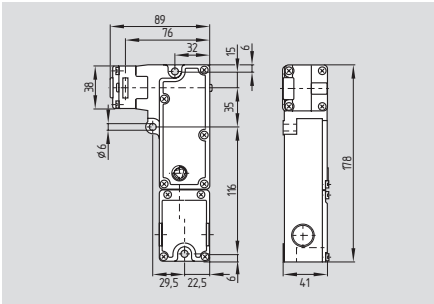
Angled triangular key TZ-75

Ordering details

Shortened straight actuator **TZ/CK**
 Shortened angled actuator **TZ/CWK**
 Mounting plate **TZ-44**
 Triangular key, angled **TZ-75**
 (TZ-69 triangular key is included in delivery for S and N executions)
 Centering device
 Mounting outside **TFA-020**
 Mounting inside **TFI-020**
 (Product information see page 1-52)

Solenoid interlocks

AZM 190 (TZKF/TZKM)



- Interlock with protection against incorrect locking
- Thermoplastic enclosure
- Manual or Emergency release
- Long life
- Power to unlock/power to lock principle
- Slim design, particularly suitable for fitting on hinged doors, aluminum profiles and fencing
- Actuating head can be repositioned by 4 x 90°
- Sealing mechanism to prevent the ingress of dirt
- 2 cable entries M20
- Wiring compartment
- Holding force 1950 N

Technical data

Standards: IEC/EN 60947-5-1
BG-GS-ET-19

Enclosure: glass fiber reinforced thermoplastic

Actuator and locking bolt: zinc-plated steel / zinc diecast

Protection class: IP67;
Ordering suffix N: IP65

Contact material: silver

Contact type: change-over contact, double break, galvanically separated contact bridges

Switching principle: \ominus IEC 60947-5-1
slow action,
NC contact with positive break

Connection: screw terminals,
solid or multi-strand lead

Cable section: min. 0.5 mm²,
max. 2.5 mm²;
incl. conductor ferrules: max. 1.5 mm²

U_{imp} : 4 kV

U_j : 250 V

I_{the} : 4 A

Utilization category: AC-15, DC-13
4 A / 230 VAC
4 A / 24 VDC

I_e/U_e :

Max. fuse rating: 4 A gG D-fuse
(DIN EN 60269-1)

Positive break travel: 2 x 3.5 mm

Positive break force: 20 N

Magnet: 100% ED
max. 8.5 W

Power consumption: max. 8.5 W

Actuating speed: max. 20 m/min

Max. actuating frequency: 1.200 s/h

Ambient temperature: 0 °C ... +50 °C

Mechanical life: 1 million operations

F_{max} : 1950 N

Latching force: 20 N

Classification:

Standards: EN ISO 13849-1

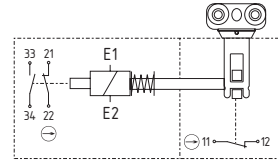
B_{10d} NC (NC): 2.000.000

Mission time: 20 years

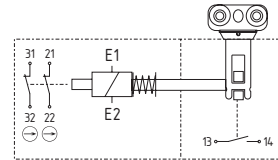
$MTTF_d = \frac{B_{10d}}{0,1 \times n_{op}}$ $n_{op} = \frac{d_{op} \times h_{op} \times 3600 \text{ s/h}}{t_{cycle}}$

Contact variants

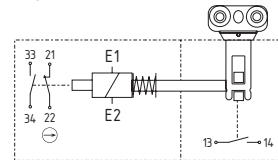
Power to unlock 11/01



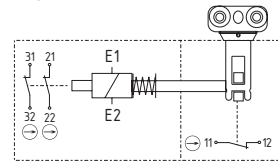
02/10



11/10



02/01



Approvals

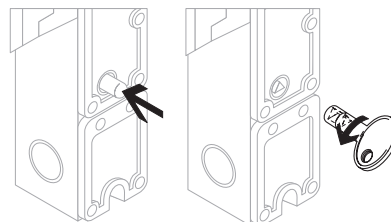


Ordering details

AZM 190-1RK②③-④

No.	Option	Description
①	11/01	Magnet: 1 NO / 1 NC Actuator: 1 NC
	11/10	1 NO / 1 NC 1 NO
	02/10	2 NC 1 NO
	02/01	2 NC 1 NC
	②	A
③	N	Emergency release
	N	Emergency release
④	24VDC	U_s 24 VDC
	24VAC	U_s 24 VAC
	48VAC	U_s 48 VAC
	110VAC	U_s 110 VAC
	230VAC	U_s 230 VAC

Note



Emergency release button (left), suffix N

- For cases of danger
- Mounting only within the guarded area

Manual release (right)

- For manual release using triangular key TZ-69
- For maintenance, setting-up, etc.

Note

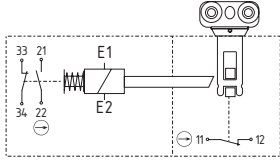
Other product variants:

- for safety fences in aluminum profile systems
- actuator with reduced mounting depth
- preferably for inside mounting
- with emergency exit
- 4 monitoring contacts
- for left-hand and right-hand hinged guard doors
- Crosses from TZKF and TZKM part numbers available on request.

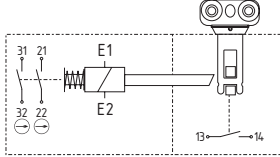
Solenoid interlocks

Contact variants

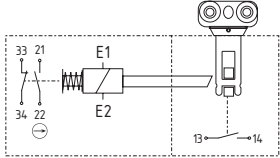
Power to lock 11/01



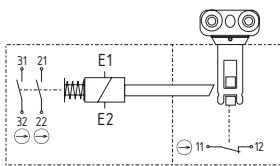
02/10



11/10



02/01



Note

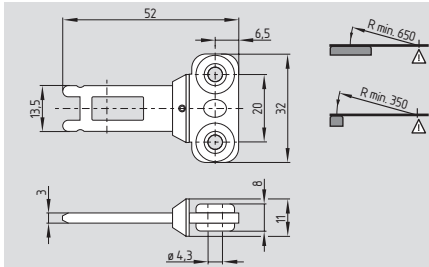
Contact symbols shown for the closed and de-energized condition of the guard device.

At least one magnetic contact with positive break \ominus must be integrated in the safety circuit.

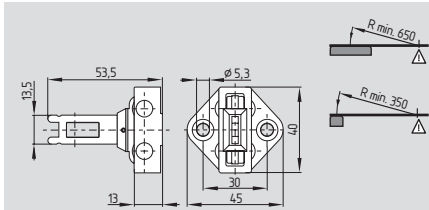
Interlocks with power to lock principle may only be used in special cases after a thorough evaluation of the accident risk, since the guarding device can immediately be opened on failure of the electrical power supply or when the main switch is opened.

Actuators and connector plugs must be ordered separately.

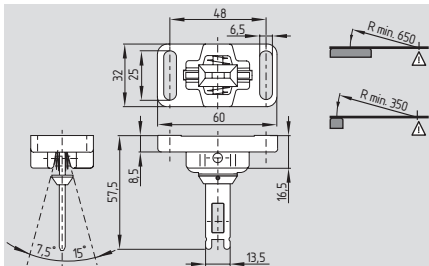
System components



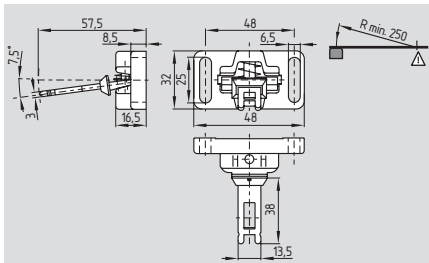
Straight actuator AZM 190-B1



Actuator to front mounting AZM 190-B5

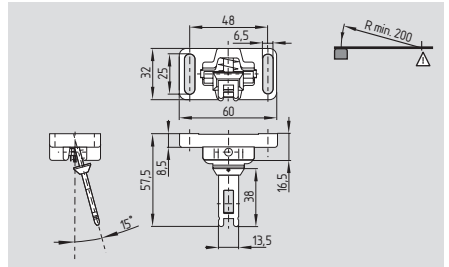


Flexible actuator AZM 190-B3/2x15

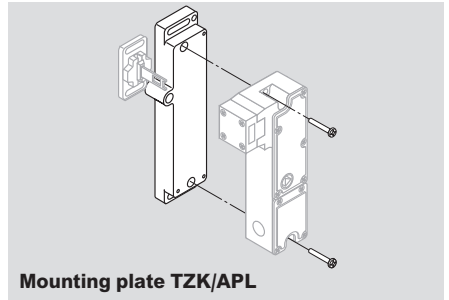


Flexible actuator AZM 190-B3/7,5

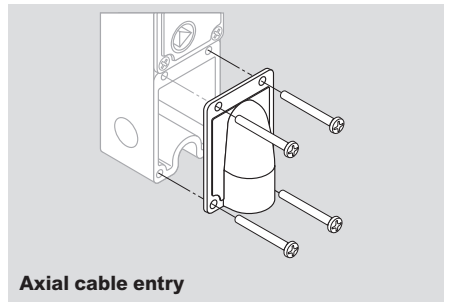
System components



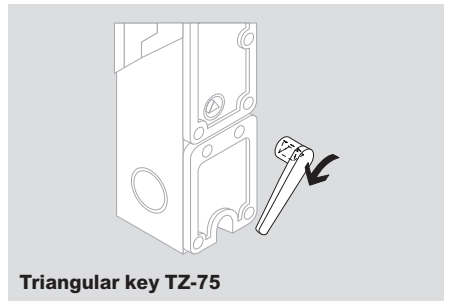
Flexible actuator AZM 190-B3/15



Mounting plate TZK/APL



Axial cable entry



Triangular key TZ-75

Ordering details

Straight actuator
to front mounting
Flexible actuator
Flexible actuator

AZM 190-B1
AZM 190-B5
AZM 190-B3/2x15
AZM 190-B3/7,5

Flexible actuator

AZM 190-B3/15

Mounting plate
Axial cable entry
Triangular key TZ-75
(TZ-69 triangular key is included in delivery)

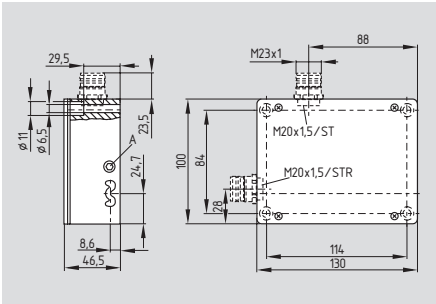
TZK/APL
TZK/PG
101028565

Centering device
Mounting outside
Mounting inside
(Product information see page 1-52)

TFA-020
TFI-020

Solenoid interlocks

AZM 415-../..



A: setting screw ball latch

- Interlock with protection against incorrect locking
- Metal enclosure
- Two switches in one enclosure
- Problem-free opening of stressed doors by means of bell-crank system
- Robust design
- Long life
- High holding force 3500 N
- Adjustable ball latch to 400 N
- Various manual and emergency releases available
- Power to unlock/power to lock principle
- 2 cable entries M20 or connector M23 (only for 24 VAC/DC)
- EX version available

Approvals



Technical data

Standards: IEC/EN 60947-5-1
BG-GS-ET-19
Enclosure: light-alloy die-cast, enamel finish
Actuator and locking bolt: zinc-plated metal / aluminum
Protection class: IP67
Contact material: silver
Contact type: change-over contact with double break, type Zb or 2 NC contacts, with galvanically separated contact bridgesOrdering suffix NS, RS: IP54

Switching principle: IEC 60947-5-1
slow action, NC contact with positive break screw terminals or connector M23
Cable section: min. 0.75 mm² max. 2.5 mm² (incl. conductor ferrules)

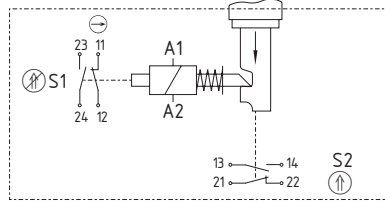
U_{imp} : 4 kV
 U_i : 250 V
 I_{the} : 6 A
Utilization category: AC-15
 I_e/U_e : 4 A / 230 VAC
Max. fuse rating: 6 A gG D-fuse
Positive break travel: 5 mm
Positive break force: min. 15 N (depending on the setting of the ball latch)
Magnet: 100% ED
Power consumption: max. 10 W
Ambient temperature: -25 °C ... +50 °C
Actuating speed: max. 0.2 m/s
Switching frequency: max. 2.000 / h
Mechanical life: > 1 million operations
 F_{max} : 3500 N
Holding force: 30 - 400 N (adjustable)

Classification:
Standards: EN ISO 13849-1
 B_{10d} NC (NC): 2.000.000
Mission time: 20 years

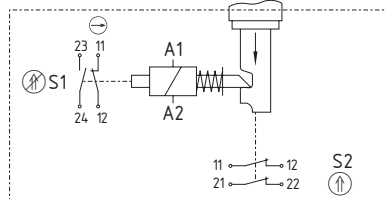
$$MTTF_d = \frac{B_{10d}}{0,1 \times n_{op}} \quad n_{op} = \frac{d_{op} \times h_{op} \times 3600 \text{ s/h}}{t_{cycle}}$$

Contact variants

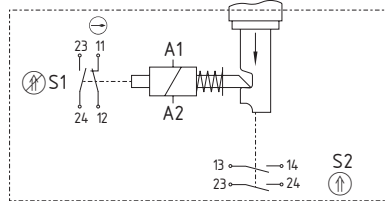
Power to unlock
11/11 2 NC/2 NO



11/02 3 NC/1 NO



11/20 1 NC/3 NO



Ordering details

AZM 415-①②PK③④ ⑤-⑥-⑦

No.	Option	Description
①	11/11	2 NC / 2 NO
	11/02	3 NC / 1 NO
	11/20	1 NC / 3 NO
	02/11	3 NC / 1 NO
	02/20	2 NC / 2 NO
	02/02	4 NC
②	X	Protection class IP54
	Z	Protection class IP67
③	ST	Connector M23 bottom
	STR	Connector M23 right
④		Power to unlock
	A	Power to lock

Ordering details

No.	Option	Description
⑤		Without manual release
	E	Manual release using triangular key
	F	Manual release using triangular key (secured with locking screw)
	FE	Manual release using triangular key (cover-side fitting)
	RS	Manual release with key
	T *	Emergency exit using latched pushbutton

Ordering details

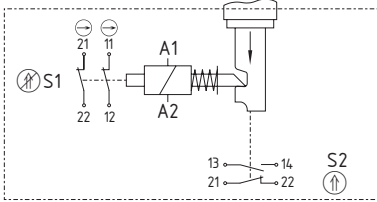
No.	Option	Description
	TE *	Emergency exit + manual release, mounting outside
	TEI *	Emergency exit + manual release, mounting inside
	NS	Emergency release using lock button
⑥	24 VAC/DC	U_s 24 VAC/DC
	110 VAC	U_s 110 VAC
	230 VAC	U_s 230 VAC
⑦	1637	Gold-plated contacts

* only for power to unlock principle

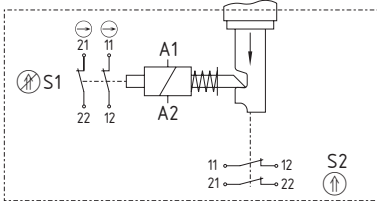
Solenoid interlocks

Contact variants

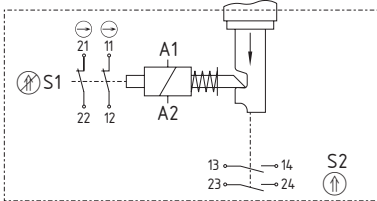
Power to unlock
02/11 3 NC/1 NO



02/02 4 NC

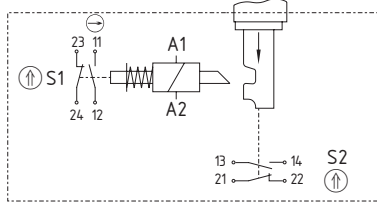


02/20 2 NC/2 NO

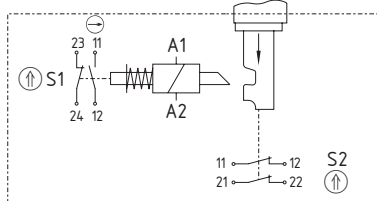


Contact variants

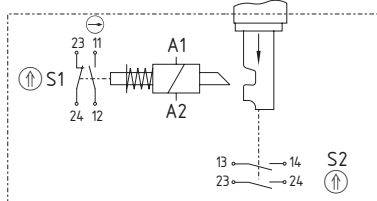
Power to lock
11/11 2 NC/2 NO



11/02 3 NC/1 NO

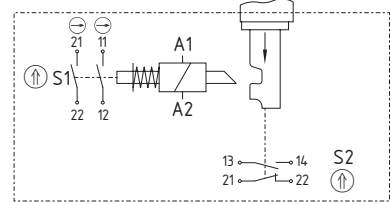


11/20 1 NC/3 NO

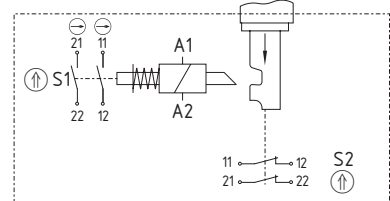


Contact variants

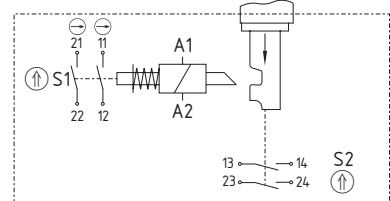
Power to lock
02/11 3 NC/1 NO



02/02 4 NC



02/20 2 NC/2 NO



Note

Contacts diagrams show de-energized condition with actuator inserted.

The magnetic contacts S1 are actuated when the solenoid A1-A2 is energized or de-energized.

At least one magnetic contact with positive break \ominus must be integrated in the safety circuit.

Actuators must be ordered separately (refer to page 1-50).

Note

Interlocks with power to lock principle may only be used in special cases after a thorough evaluation of the accident risk, since the guarding device can immediately be opened on failure of the electrical power supply or when the main switch is opened.

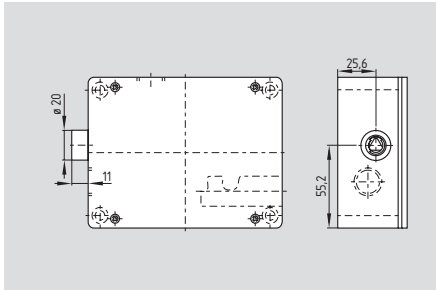
Note

PIN number of the connectors ST and STR

PIN	Contacts					
	11/11	11/02	11/20	02/11	02/02	02/20
1	A1	A1	A1	A1	A1	A1
2	A2	A2	A2	A2	A2	A2
3	11	11	11	11	11	11
4	12	12	12	12	12	12
5	23	23	23	21	21	21
6	24	24	24	22	22	22
7	13	11	13	13	11	13
8	14	12	14	14	12	14
9	21	21	23	21	21	23
10	22	22	24	22	22	24
11	-	-	-	-	-	-
12	GND	GND	GND	GND	GND	GND

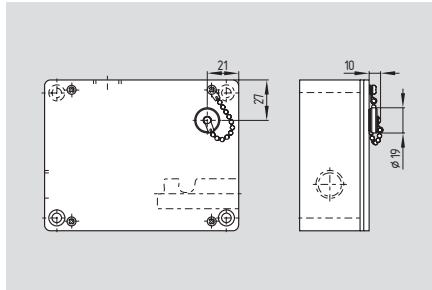
Solenoid interlocks

AZM 415-...ZPK E



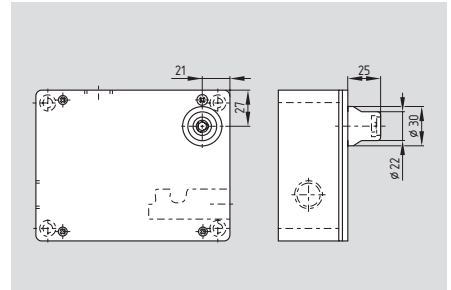
- **Manual release**
- Manual release by means of M5 triangular key
- M5 triangular key, available as accessory
- For maintenance, installation, etc.
- Only used on units with power to unlock principle

AZM 415-...ZPK F



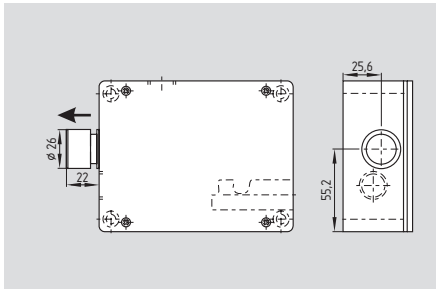
- **Manual release**
- Release by means of M5 triangular key
- After removing the sealing screw, manual release can be carried out using a M5 triangular key
- M5 triangular key, available as accessory
- A chain secures the sealing plug against loss
- Only used on units with power to unlock principle

AZM 415-...ZPK FE



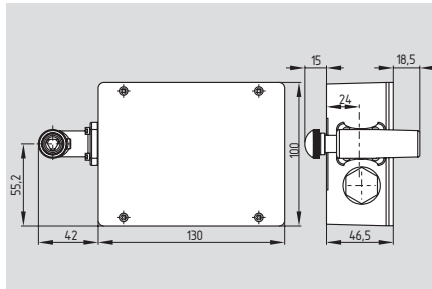
- **Manual release (cover-side fitting)**
- Release by means of M5 triangular key
- M5 triangular key, available as accessory
- Only used on units with power to unlock principle

AZM 415-...ZPK T



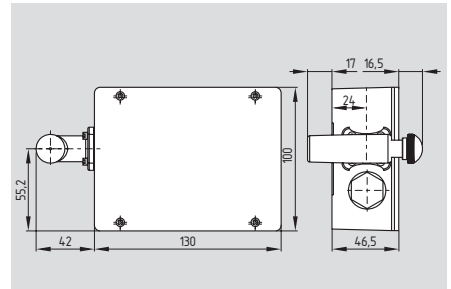
- **Emergency exit**
- Emergency exit is used where an „inadvertently locked-in“ person must leave a dangerous, already interlocked area
- Escape release by pressing the red push button
- Reset is carried out by pressing the latching pin
- In unlocked position the guard device is protected against unintended closing

AZM 415-...ZPK TE



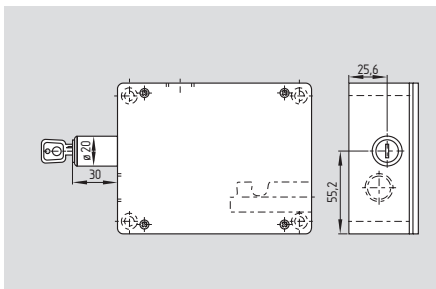
- **Manual release**
- Release and resetting using M5 triangular key
- Emergency exit by pressing the red push button
- Resetting by pulling on the red latched button
- In unlocked position the guard device is protected against unintended closing
- Interlock mounting **outside**

AZM 415-...ZPK TEI



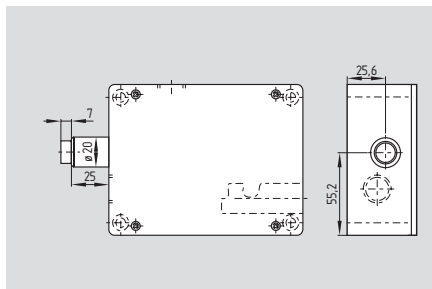
- **Manual release**
- Release and resetting using M5 triangular key
- Emergency exit by pressing the red push button
- Resetting by pulling on the red latched button
- In unlocked position the guard device is protected against unintended closing
- Interlock mounting **inside**

AZM 415-...XPK RS



- **Manual release**
- Release by means of cylinder lock
- Resetting can only be carried out by authorized personnel using key
- Only used on units with power to unlock principle
- In unlocked position the guard device is protected against unintended closing

AZM 415-...XPK NS



- **Emergency release**
- The emergency release is used where an intervention in an already locked hazardous area is required
- Release by pressing in the lock button
- Resetting can only be carried out by authorized personnel using key
- In unlocked position the guard device is protected against unintended closing

Note

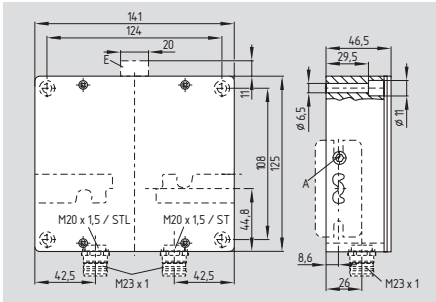
The IP protection class depends on the type of release and is indicated by an X or Z in the ordering suffix.

Example:

Protection class IP54 AZM 415-11/11XPKNS
Protection class IP67 AZM 415-11/11ZPKF

Solenoid interlocks

AZM 415 for double doors



A: setting screw ball latch
E: manual release using triangular key

- Interlock with protection against incorrect locking for double doors
- Metal enclosure
- 3 switches in one enclosure
- Robust design
- Long life
- High holding force 2500 N per door
- Ball latch for each door, individually adjustable up to 400 N
- Manual release available
- Power to unlock/power to lock principle
- 2 cable entries M20 or connector M23 (only for 24 VAC/DC)
- Spring-loaded actuators

Approvals



Ordering details

AZM 415-33ZPDK ①② ③④

No.	Option	Description
①		Power to unlock
	A	Power to lock
②	ST	Connector M23 bottom
	STR	Connector M23 right
③		Without manual release
	E	Manual release using triangular key (only with power to unlock)
④	1637	Gold-plated contacts

Technical data

Standards: IEC/EN 60947-5-1
BG-GS-ET-19
Enclosure: light-alloy die-cast, enamel finish

Actuator and locking bolt: zinc-plated metal / aluminum
Protection class: IP67
Contact material: silver
Contact type: change-over contact with double break, type Zb, with galvanically separated contact bridges

Switching principle: \ominus IEC 60947-5-1 slow action, NC contact with positive break

Connection: screw terminals or connector M23

Cable section: min. 0.75 mm² max. 2.5 mm² (incl. conductor ferrules)

Cable entry: 2x M20

U_{imp}: 4 kV
U_i: 250 V

I_{the}: 6 A

Utilization category: AC-15

I_e/U_e: 4 A / 230 VAC

Max. fuse rating: 6 A gG D-fuse

Positive break travel: 4.5 mm

Positive break force: min. 15 N (depending on the setting of the ball latch)

Magnet: 100% ED

U_s: 24 VAC/DC

110 VAC, 50/60 Hz

230 VAC, 50/60 Hz

Power consumption: max. 10 W

Ambient temperature: -25 °C ... +50 °C

Actuating speed: max. 0.2 m/s

Switching frequency: max. 2.000 / h

Mechanical life: > 1 million operations

F_{max}: 2500 N (for each guard)

Holding force: 30 - 400 N (adjustable)

Classification:

Standards: EN ISO 13849-1

B_{10d} NC (NC): 2.000.000

Mission time: 20 years

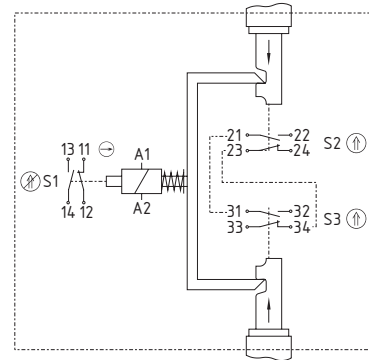
$$MTTF_d = \frac{B_{10d}}{0,1 \times n_{op}} \quad n_{op} = \frac{d_{op} \times h_{op} \times 3600 \text{ s/h}}{t_{cycle}}$$

Contact variants

Power to unlock

3 NO

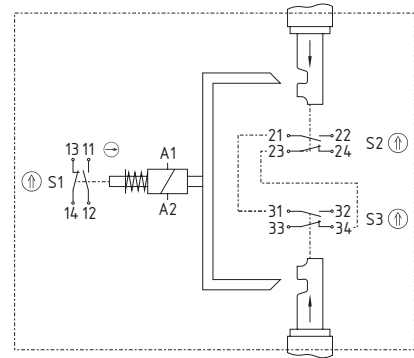
3 NC



Power to lock

3 NO

3 NC



Note

Actuators must be ordered separately (refer to page 1-50).

Note

Contact symbols shown for the closed condition of the guard device.

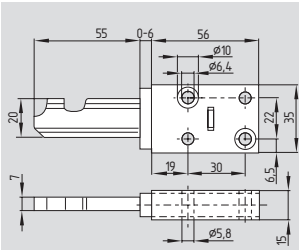
The contacts 11-12 and 13-14 are actuated when the solenoid A1-A2 is energized or de-energized.

At least one magnetic contact with positive break \ominus must be integrated in the safety circuit.

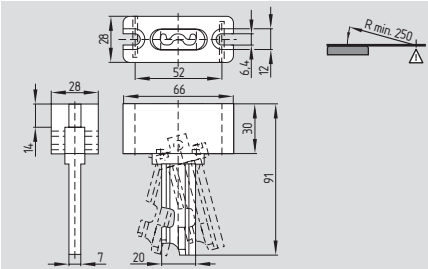
Interlocks with power to lock principle may only be used in special cases after a thorough evaluation of the accident risk, since the guarding device can immediately be opened on failure of the electrical power supply or when the main switch is opened.

Solenoid interlocks

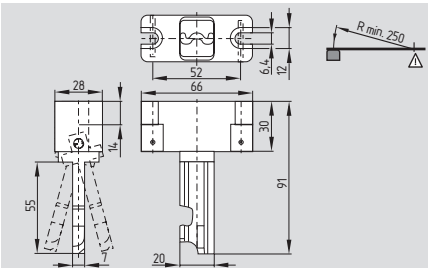
System components



Straight actuator B1

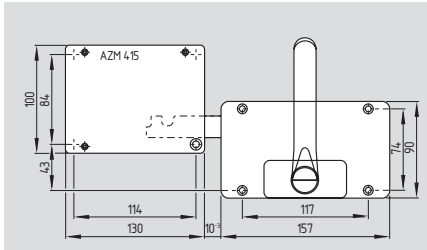


Flexible actuator B2

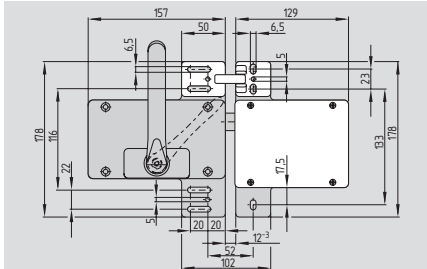


Flexible actuator B3

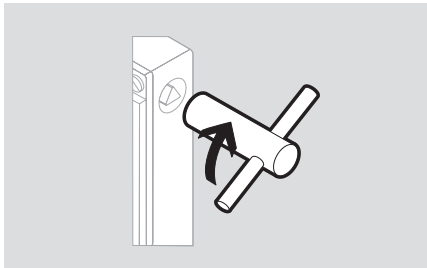
System components



AZM 415-B30



AZM 415-ST30



Triangular key M5

Ordering details

Straight actuator **AZ/AZM 415-B1**
 Flexible actuator **AZ/AZM 415-B2**
 Flexible actuator **AZ/AZM 415-B3**

Ordering details

Actuator with handle **AZM 415-B30**
 without or with emergency handle
 (A detailed product description
 can be found on page 1-69)

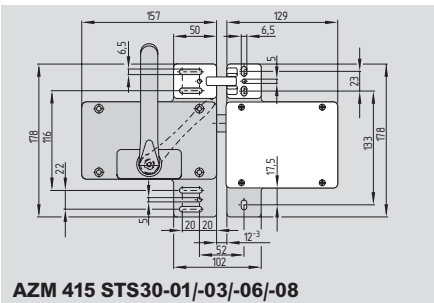
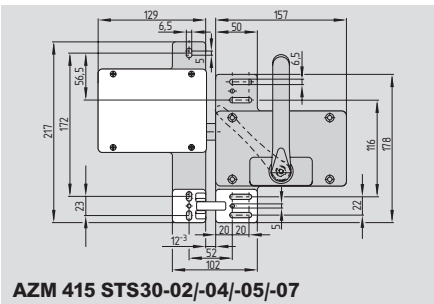
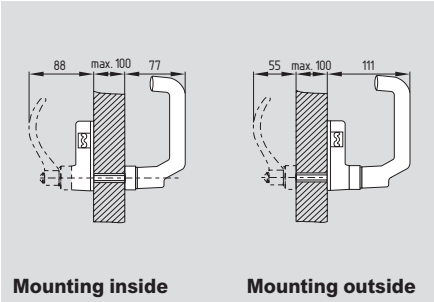
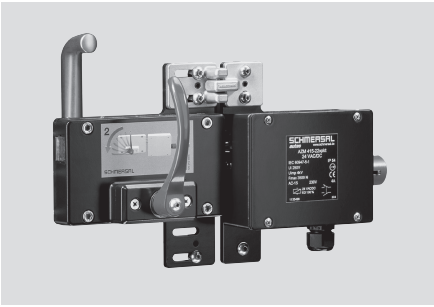
Safety door-handle system STS

Actuator with handle **AZM 415-ST30**
 without or with emergency handle
 inclusive mounting plate
 (A detailed product description
 can be found on page 1-51)

Triangular key M5 **AZM KEY**

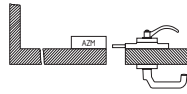
Solenoid interlocks

AZM 415-ST30...

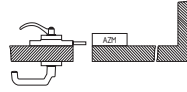


System variants

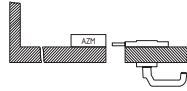
AZM 415-ST30-01



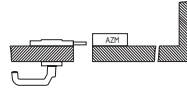
AZM 415-ST30-02



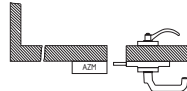
AZM 415-ST30-03



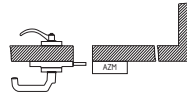
AZM 415-ST30-04



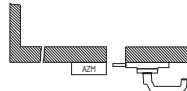
AZM 415-ST30-05



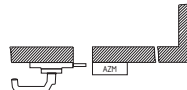
AZM 415-ST30-06



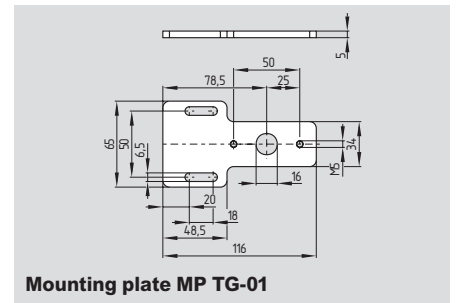
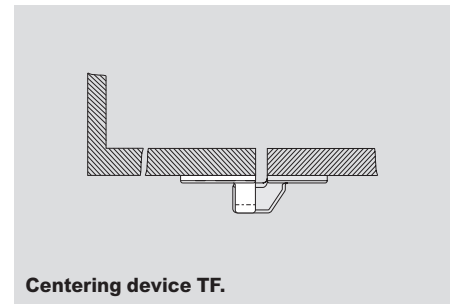
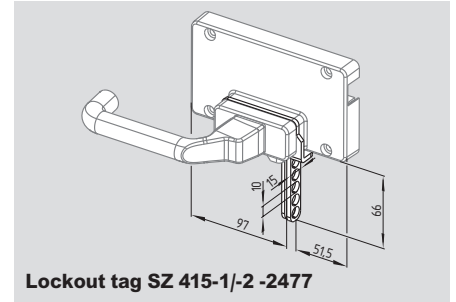
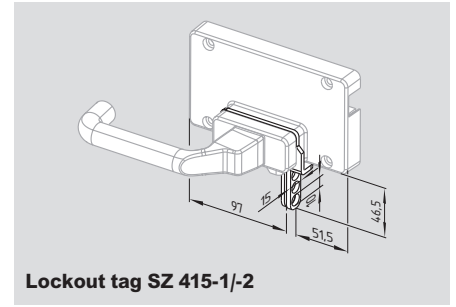
AZM 415-ST30-07



AZM 415-ST30-08



System components



Ordering details

Included in delivery

- Mounting plate for safety switch
- Actuator incl. mounting plate
- Emergency handle (for variant -05 and -06 incl. mounting plate)

Ordering example

To order, first choose the desired safety switch and then the door handle system:
for example AZM 415-02/02ZPK F-230VAC
and AZM 415-ST30-07

Ordering details

Mounting inside

with emergency handle

door hinge right **AZM 415-ST30-01**

door hinge left **AZM 415-ST30-02**

without emergency handle

door hinge right **AZM 415-ST30-03**

door hinge left **AZM 415-ST30-04**

Mounting outside

with emergency handle

door hinge right **AZM 415-ST30-05**

door hinge left **AZM 415-ST30-06**

without emergency handle

door hinge right **AZM 415-ST30-07**

door hinge left **AZM 415-ST30-08**

Ordering details

Lockout tag

for ...STS30-01/-03/-06/-08 **SZ 415-1**

for ...STS30-02/-04/-05/-07 **SZ 415-2**

Lockout tag with 5 circular holes

for ...STS30-01/-03/-06/-08 **SZ 415-1-2477**

for ...STS30-02/-04/-05/-07 **SZ 415-2-2477**

Centering device

Mounting outside **TFA-010**

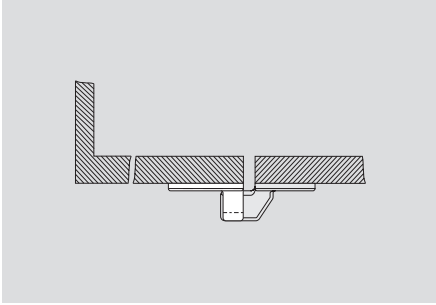
Mounting inside **TFI-010**

(A detailed product description can be found on page 1-52)

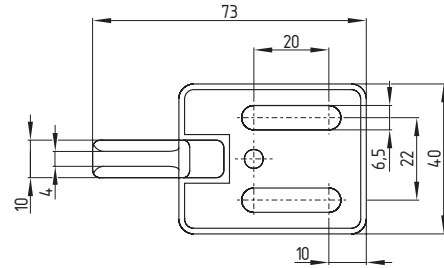
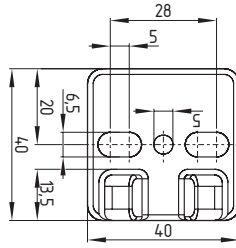
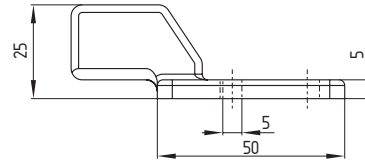
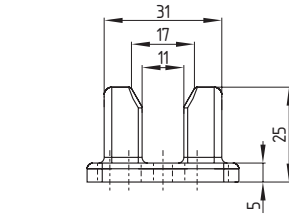
Mounting plate **MP TG-01**

Solenoid interlocks

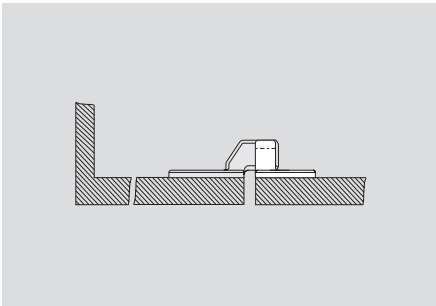
Centering device TFA



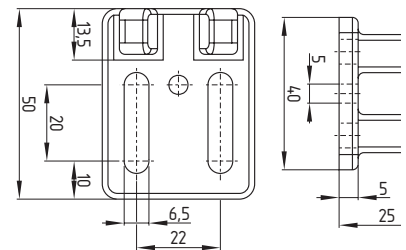
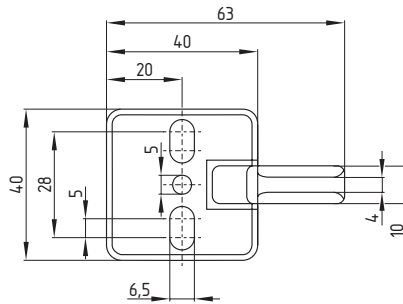
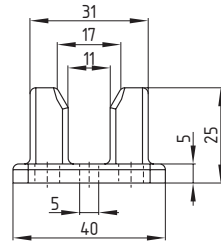
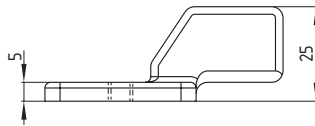
- **Mounting outside**
- Self-centering of the guard door
- End stop
- Suitable for all types of actuators
- Actuator can be easily inserted or extracted



Centering device TFI

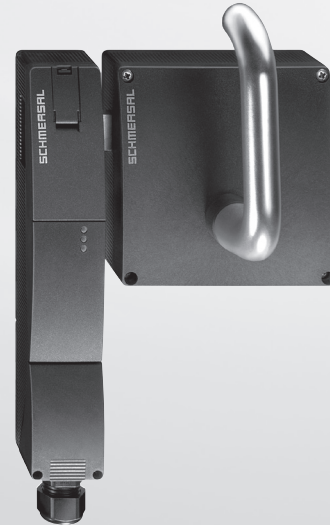


- **Mounting inside**
- Self-centering of the guard door
- End stop
- Suitable for all types of actuators
- Actuator can be easily inserted or extracted



Safe switching and monitoring

Electronic Solenoid and electromagnetic interlocks



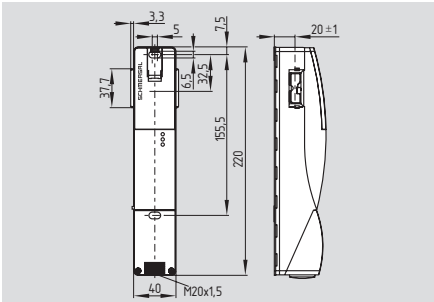
Solenoid locking switches are used on sliding, hinged and removable guard doors that must be closed and locked for operator safety. It is a two part system consisting of a switch body, mounted to the guard frame, and a separate actuator key, mounted to the door.

These models feature an integrated electronic safety sensor to detect guard door closure independently of the solenoid lock. These sensors use non-contact operating principles (pulse echo or RFID) that limits wear on components, and tolerates misalignment. A microprocessor provides continuous internal function tests and monitors the safety outputs, meeting PLe to ISO13849-1 and SIL 3 to IEC61508, even when wired in series. Three color LEDs on the sensor indicate status, various errors, and misalignment. For more advanced indication these models are also available with serial diagnostics to connect to commercial field bus systems.

Solenoid interlock with door handle actuator	1-54
Magnetic locking	1-60
Solenoid interlock with RFID sensor	1-64
Safety Bus Gateways	1-92
Accessories	1-94

Electronic Solenoid interlocks

AZM 200



Safety switch with interlocking function (Solenoid interlock monitoring)

- Thermoplastic enclosure
- Sensor technology permits an offset of ± 5 mm between actuator and interlock
- Intelligent diagnostic
- Accurate adjustment through slotted holes
- 3 LED's to show the operating status
- Manual release
- 2 safety outputs, 1 diagnostic output
- Latching force 30 N
- Available with AS-Interface Safety at Work
- **Suitable for applications** (without additional second switch)
 - up to PL e/category 4 to EN ISO 13849-1
 - suitable for SIL 3 applications to IEC 61508
- Series-wiring of max. 31 components, without detriment to the category

Approvals



Ordering details

AZM 200①-T-②③

No.	Option	Description
①	SK	Screw terminals
	CC	Cage clamps
	ST1	Connector M23, (8+1)-pole
	ST2	Connector M12, 8-pole
	②	1P2PW
③	SD2P	Serial diagnostic output and 2 safety outputs, p-type
	A	Power to unlock Power to lock

Technical data

Standards:	IEC/EN 60947-5-1, EN ISO 13849-1, IEC 61508, IEC 60947-5-3
Enclosure:	glass fiber reinforced thermoplastic, self-extinguishing
Mechanical life:	≥ 1 million operations
F_{max} :	2000 N
Latching force:	30 N
Protection class:	IP67 to EN 60529
Protection class:	II, \square
Overvoltage category:	III
Degree of pollution:	3
Connection:	screw terminals or cage clamps or connector M12 or M23
Cable section:	min. 0.25 mm ² max. 1.5 mm ² (incl. conductor ferrules)
Cable entry:	M20
Series-wiring:	max. 31 components
Cable length:	max. 200m (Cable length and cable section alter the voltage drop depending on the output current)
Ambient conditions:	
Ambient temperature:	-25 °C ... +60 °C
Storage and transport temperature:	-25 °C ... +85 °C
Relative humidity:	30% ... 95%, non-condensing
Resistance to vibration:	10...55 Hz, amplitude 1mm
Resistance to shock:	30 g / 11 ms
Switching frequency f:	1 Hz
Response time:	< 60 ms
Duration of risk:	< 120 ms
Time to readiness:	< 4 s
Actuating speed:	≤ 0.2 m/s

Technical data

Electrical data:	
U_e :	24 VDC -15% / +10% (stabilised PELV)
I_e :	1.2 A
I_0 :	max. 0.5 A
U_{imp} :	800 V
U_i :	32 VDC
Fuse rating:	
- Screw terminals or cage clamps:	≤ 4 A
when used to UL 508;	
- Connector M12 or M23:	≤ 2 A
Safety inputs X1 and X2:	
$U_{e3/Low}$:	-3 V ... 5 V
$U_{e3/High}$:	15 V ... 30 V
I_{e3} :	typically 2 mA at 24 V
Safety outputs Y1 and Y2:	
	p-type, short-circuit proof
U_{e1} :	0 V up to 4 V under U_e
I_{e1} :	max. je 0.25 A
Utilization category:	DC-13
Leakage current I_l :	≤ 0.5 mA
Diagnostic output OUT:	
	p-type, short-circuit proof
U_{e2} :	0 V up to 4 V under U_e
I_{e2} :	max. 0.05 A
Utilization category:	DC-13
Wiring capacitance for serial diagnostic:	max. 50 nF
Solenoid control IN:	
$U_{e4/Low}$:	-3 V ... 5 V
$U_{e4/High}$:	15 V ... 30 V
I_{e4} :	typically 10 mA at 24 V, dynamically 20 mA
Solenoid:	100% ED
LED functions:	
Green	Supply voltage on
Yellow	Operating status
Red	Error (refer to flash codes)
Classification:	
Standards:	EN ISO 13849-1; IEC 61508
PL:	e
Category:	4
PFH value:	4.0×10^{-9} /h
SIL:	suitable for SIL 3 applications
Mission time:	20 years

Note

The solenoid interlocks and the actuator unit must be ordered separately!

As long as the actuator unit is inserted in the solenoid interlock, the unlocked safety guard can be relocked. In this case, the safety outputs are re-enabled; **opening the safety guard is not required.**

Additional Accessories:

SD Gateway	Page 1-92
Series-wiring accessories	Page 1-94
Diagnostic tables	Online
Suitable safety controllers	Page 5-2

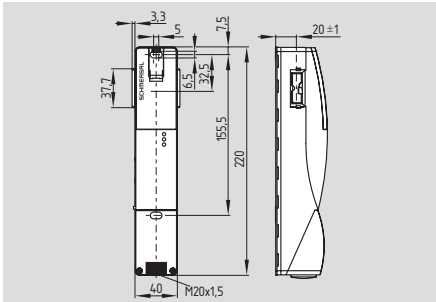
Connection

Connector Cables:

M23, 8+1 pole (IP67)	
Cable length 5 m	101209959
Cable length 10 m	101209958
M12, 8-pole (IP67)	
Cable length 2.5 m	103011411
Cable length 5 m	103011412
Cable length 10 m	103011413
M12, 8-pole (IP69K)	
Cable length 5 m	101210560
Cable length 5 m (angled)	101210561
Cable length 10 m	103001389

Electronic Solenoid interlocks

AZM 200 B



Safety switch with interlocking function (Actuator monitoring)

- Thermoplastic enclosure
- Sensor technology permits an offset of ± 5 mm between actuator and interlock
- Intelligent diagnostic
- Accurate adjustment through slotted holes
- 3 LED's to show the operating status
- Manual release
- 2 safety outputs, 1 diagnostic output
- Latching force 30 N
- Available with AS-Interface Safety at Work
- **Suitable for applications** (without additional second switch)
 - up to PL e/category 4 to EN ISO 13849-1
 - suitable for SIL 3 applications to IEC 61508
- Series-wiring of max. 31 components, without detriment to the category

Approvals



Ordering details

AZM 200 B ①-T-②③

No.	Option	Description
①	SK	Screw terminals
	CC	Cage clamps
	ST1	Connector M23, (8+1)-pole
	ST2	Connector M12, 8-pole
②	1P2PW	1 diagnostic output and 2 safety outputs, all p-type and combined diagnostic signal: safety guard closed AND solenoid interlock locked
	SD2P	Serial diagnostic output and 2 safety outputs, p-type
③		Power to unlock
	A	Power to lock

Technical data

Standards:	IEC/EN 60947-5-1, EN ISO 13849-1, IEC 61508, IEC 60947-5-3
Enclosure:	glass fiber reinforced thermoplastic, self-extinguishing
Mechanical life:	≥ 1 million operations
F_{max} :	2000 N
Latching force:	30 N
Protection class:	IP67 to EN 60529
Protection class:	II, <input type="checkbox"/>
Overvoltage category:	III
Degree of pollution:	3
Connection:	screw terminals or cage clamps or connector M12 or M23
Cable section:	min. 0.25 mm ² max. 1.5 mm ² (incl. conductor ferrules)
Cable entry:	M20
Series-wiring:	max. 31 components
Cable length:	max. 200m (Cable length and cable section alter the voltage drop depending on the output current)
Ambient conditions:	
Ambient temperature:	-25 °C ... +60 °C
Storage and transport temperature:	-25 °C ... +85 °C
Relative humidity:	30% ... 95%, non-condensing
Resistance to vibration:	10...55 Hz, amplitude 1mm
Resistance to shock:	30 g / 11 ms
Switching frequency f:	1 Hz
Response time:	< 60 ms
Duration of risk:	< 120 ms
Time to readiness:	< 4 s
Actuating speed:	≤ 0.2 m/s

Technical data

Electrical data:	
U_e :	24 VDC -15% / +10% (stabilised PELV)
I_e :	1.2 A
I_G :	max. 0.5 A
U_{imp} :	800 V
U_i :	32 VDC
Fuse rating:	
- Screw terminals or cage clamps:	≤ 4 A
when used to UL 508;	
- Connector M12 or M23:	≤ 2 A
Safety inputs X1 and X2:	
$U_{e3/Low}$:	-3 V ... 5 V
$U_{e3/High}$:	15 V ... 30 V
I_{e3} :	typically 2 mA at 24 V
Safety outputs Y1 and Y2:	
	p-type, short-circuit proof
U_{e1} :	0 V up to 4 V under U_e
I_{e1} :	max. je 0.25 A
Utilization category:	DC-13
Leakage current I_i :	≤ 0.5 mA
Diagnostic output OUT:	
	p-type, short-circuit proof
U_{e2} :	0 V up to 4 V under U_e
I_{e2} :	max. 0.05 A
Utilization category:	DC-13
Wiring capacitance for serial diagnostic:	max. 50 nF
Solenoid control IN:	
$U_{e4/Low}$:	-3 V ... 5 V
$U_{e4/High}$:	15 V ... 30 V
I_{e4} :	typically 10 mA at 24 V, dynamically 20 mA
Solenoid:	100% ED
LED functions:	
Green	Supply voltage on
Yellow	Operating status
Red	Error (refer to flash codes)
Classification:	
Standards:	EN ISO 13849-1; IEC 61508
PL:	e
Category:	4
PFH value:	4.0×10^{-9} /h
SIL:	suitable for SIL 3 applications
Mission time:	20 years

Note

The safety switch with interlocking function and the actuator must be ordered separately!

Additional Accessories:

SD Gateway	Page1-92
Series-wiring accessories	Page 1-94
Diagnostic tables	Online
Suitable safety controllers	Page 5-2

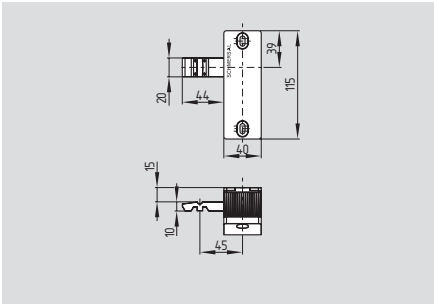
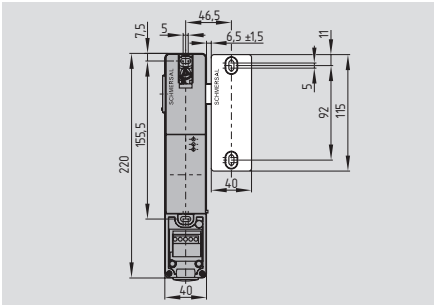
Connection

Connector Cables:

M23, 8+1 pole (IP67)	
Cable length 5 m	101209959
Cable length 10 m	101209958
M12, 8-pole (IP67)	
Cable length 2.5 m	101209963
Cable length 5 m	103011412
Cable length 10 m	103011413
M12, 8-pole (IP69K)	
Cable length 5 m	101210560
Cable length 5 m (angled)	101210561
Cable length 10 m	103001389

Electronic Solenoid interlocks

AZ/AZM 200-B1-...



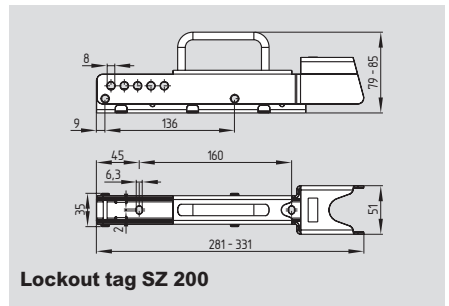
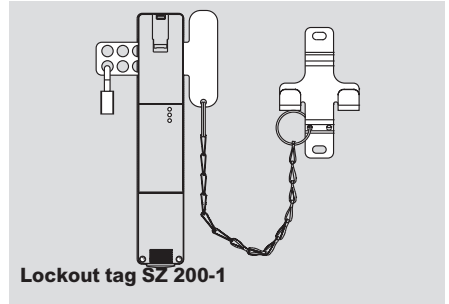
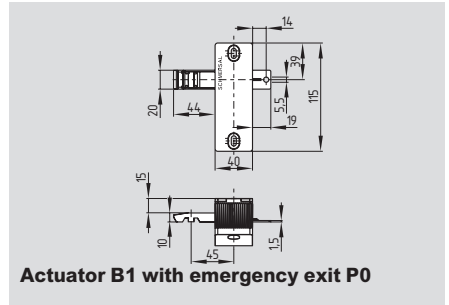
- Actuator for sliding guards
- Actuator with return spring
- Tolerates overtravel of up to max. 5 mm
- With door detection sensor T
- Available with or without emergency exit (P0)

Technical data

Material:
 B1-housing: Grivory
 Actuator: zinc die-cast

Mechanical life: ≥ 1 million operations
F_{max} AZM 200: 2000 N

System components



Approvals



Approvals only in combination with switches AZ/AZM 200

Ordering details

AZ/AZM 200-B1-①T②

No.	Option	Description
①	L	Actuating direction left
	R	Actuating direction right
②		Without emergency exit
	P0	With emergency exit

Note

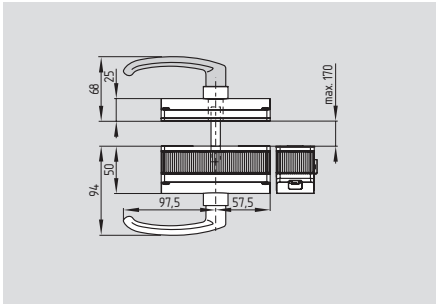
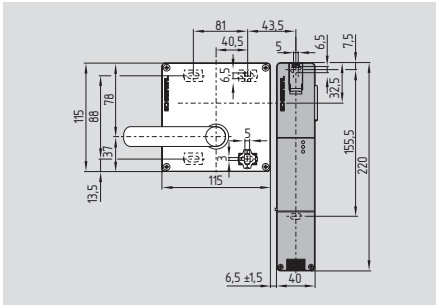
The safety switches/solenoid interlocks and the actuator unit must be ordered separately!

Ordering details

Actuator B1 with emergency exit	AZ/AZM 200-B1-...-P0
Lockout tag	SZ 200-1
Lockout tag	SZ 200

Electronic Solenoid interlocks

AZ/AZM 200-B30-...



- Actuator for hinged guards
- One-hand emergency exit, even in de-energized condition
- With door detection sensor T
- Easy and intuitive operation
- NO risk of injury from protruding actuator
- No supplementary door handles required
- Does not protrude into the door opening
- Various handles available
- Can be fitted with or without emergency exit

Technical data

Material:

Actuator unit B30:
glass fiber reinforced thermoplastic, self-extinguishing, fixing holes with metal washer

Emergency exit P1:
glass fiber reinforced thermoplastic, self-extinguishing, fixing holes with metal washer

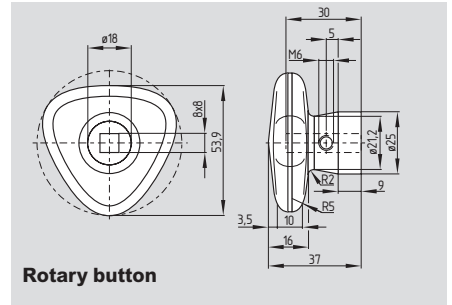
Door handle G1, G2:
plastic coated aluminum

Panic handle P1, P20, P25:
plastic coated aluminum

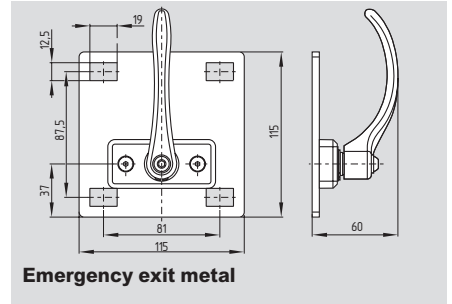
Actuator:
zinc die-cast

Mechanical life: ≥ 1 million operations
F_{max} AZM 200: 2000 N

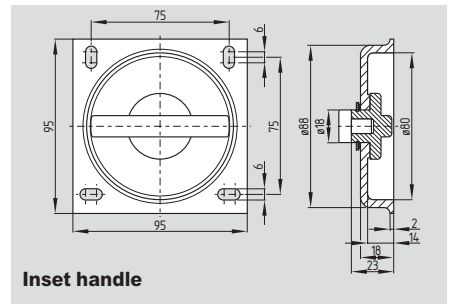
System components



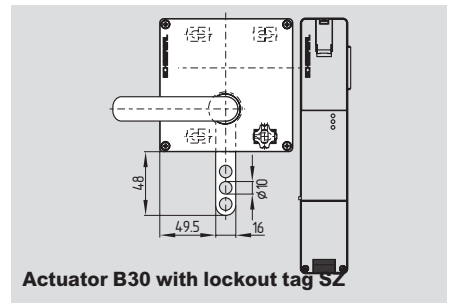
Rotary button



Emergency exit metal



Inset handle



Actuator B30 with lockout tag SZ

Approvals



Approvals only in combination with switches AZ/AZM 200

Ordering details

AZ/AZM 200-B30-①TA②③-④

No.	Option	Description
①	L R	Door hinge on left-hand side Door hinge on right-hand side
②	G1 G2	With door handle With rotary button
③	P1 P20 P25	With emergency exit With emergency exit metal With emergency exit with inset handle
④	SZ	Without lockout tag With lockout tag

Note

The safety switches/solenoid interlocks and the actuator unit must be ordered separately!

The actuator can be combined with a three-point locking rod to increase the stability of large and especially double-leaf safety guards. see page 1-59

Retrofitting kit (only for AZ/AZM 200-B30-...-P1 with emergency exit) RF-AZ/AZM200-B30-SZ

Ordering details

Actuator with rotary button **AZ/AZM 200-...-G2**

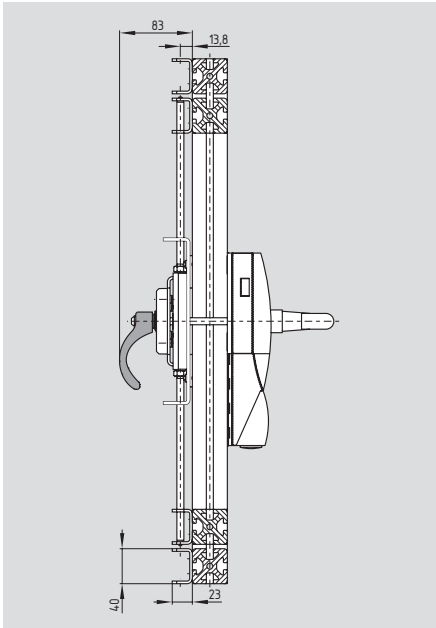
Emergency exit metal with inset handle **AZ/AZM 200-...-P20**
AZ/AZM 200-...-P25

Actuator B30 with lockout tag SZ **AZ/AZM 200-B30-...-SZ**
Lockout tag **SZ 200-1**
Lockout tag **SZ 200**
mounting plate **MP-BDF200**

Electronic Solenoid interlocks

AZ/AZM 200-B30-...-P30/P31

Technical data



Material:

Actuator unit B30:
glass fiber reinforced thermoplastic, self-extinguishing, fixing holes with metal washer

Locking bar:
zinc-plated metal

Emergency exit:
metal

Door handle G1, G2:
plastic coated aluminum

Panic handle:
plastic coated aluminum

Actuator:
zinc die-cast

Mechanical life: ≥ 1 million operations
F_{max} AZM 200: 2000 N

- Actuator for hinged and sliding guards, especially for double-leaf doors
- Three-point locking bar for applications with higher mechanical stability requirements (7,000 N)
- Door height max. 230 cm
- One-hand emergency exit, even in de-energized condition
- With door detection sensor T
- Easy and intuitive operation
- No risk of injury from protruding actuator
- No supplementary door handles required
- Does not protrude into the door opening
- Various handles available
- Can be fitted with or without emergency exit

Approvals

Ordering details

AZ/AZM 200-B30-①-②TA③-④

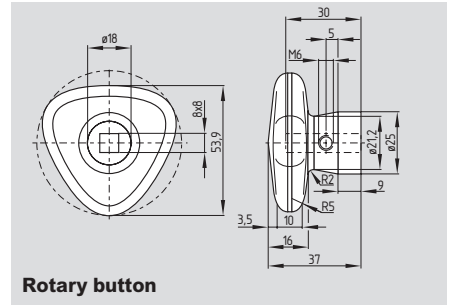
No.	Option	Description
①	L	Door hinge on left-hand side
	R	Door hinge on right-hand side
②	G1	With door handle
	G2	With rotary button
③	P30	Without emergency exit
	P31	With emergency exit
④		Without lockout tag
	SZ	With lockout tag

Note

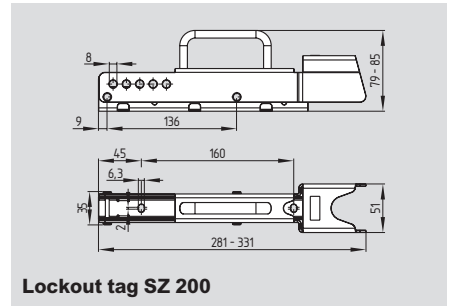
The safety switches/solenoid interlocks and the actuator unit must be ordered separately!

Retrofitting kit (only for AZ/AZM 200-B30-...-P1 with emergency exit) RF-AZ/AZM200-B30-SZ

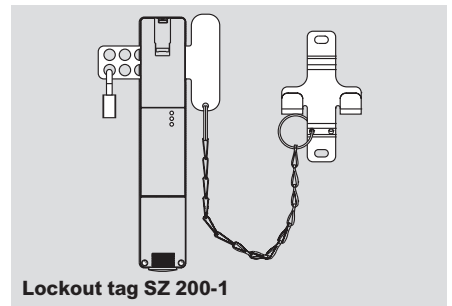
System components



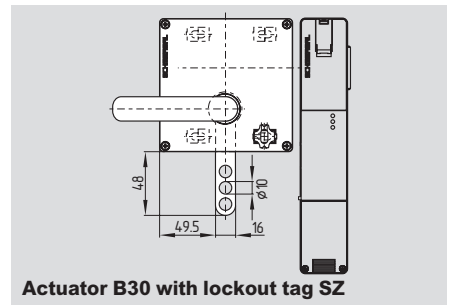
Rotary button



Lockout tag SZ 200



Lockout tag SZ 200-1



Actuator B30 with lockout tag SZ

Ordering details

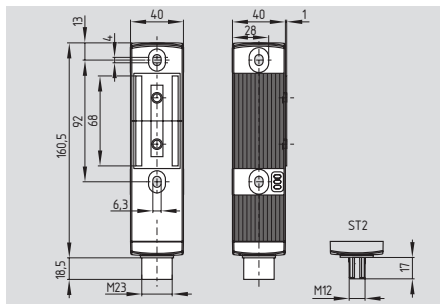
Actuator with rotary button **AZ/AZM 200-...-G2**

Lockout tag **SZ 200**
Lockout tag **SZ 200-1**

Actuator B30 with lockout tag SZ **AZ/AZM 200-B30-...-SZ**

Electronic Solenoid interlocks

MZM 100

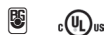


Solenoid interlock

(Solenoid interlock monitoring)

- Innovating and unique operating principle
- Accurate adjustment through slotted holes
- Power to lock principle
- Solenoid interlock must be used as end stop.
- Automatic latching with variable adjustment
- Latching force through permanent magnet approx. 30 N, also in de-energized condition
- Sensor technology permits an offset between actuator and interlock of ± 5 mm vertically and ± 3 mm horizontally
- Intelligent diagnostic signalling of failures
- 3 LED's to show the operating status
- Series-wiring of max. 31 components, without detriment to the category
- AS-Interface Safety at Work available

Approvals



Ordering details

MZM 100 ①-②③④-A

No.	Option	Description
①	ST ST2	Connector M23, (8+1)-pole Connector M12, 8-pole
②	1P2PW	1 diagnostic output and 2 safety outputs, all p-type with combined diagnostic signal: safety guard closed and magnetic interlock locked
	SD2P	Serial diagnostic output and 2 safety outputs, p-type

Technical data

Standards: IEC 60947-5-3, EN ISO 13849-1,
IEC 61508
Enclosure: glass fiber reinforced
thermoplastic, self-extinguishing
Mechanical life: ≥ 1 million operations
(for guards ≤ 5 kg;
actuating speed ≤ 0.5 m/s)
Electrically adjustable
latching force (RE): 30 N ... 100 N
Permanent magnet (M): 30 N
Holding force F_{max} typically: 750 N
Holding force F guaranteed: 500 N
Protection class: IP65 / IP67
Protection class: II, \square
Overvoltage category: III
Degree of pollution: 3
Connection: connector M12 or M23
Series-wiring: max. 31 components
Cable length: max. 200 m
(Cable length and cable
section alter the voltage drop
depending on the output current)

Ambient conditions:

Ambient temperature: -25 °C ... $+55$ °C
Storage and transport
temperature: -25 °C ... $+85$ °C
Relative humidity: 30% ... 95%,
non-condensing, no icing
Resistance to vibration: 10...150 Hz
(0.35 mm/5 g)
Resistance to shock: 30 g / 11 ms
Switching frequency f : 1 Hz
Response time: < 150 ms
Duration of risk: < 150 ms
Time to readiness: < 4 s

Electrical data:

U_e : 24 VDC -15% / $+10\%$
(stabilised PELV)
Operating current: max. 0.6 A plus current
through the safety outputs
 I_e : 1 A
 U_{imp} : 800 V
 U_j : 32 VDC
Device insulation: ≤ 2 A to UL 508;
depending on the number of components
and loads (Y1, Y2 and OUT)

Ordering details

MZM 100 ①-②③④-A

No.	Option	Description
③	R RE	Without latching Latching force (35 N) Adjustable latching force approx. 30 ... 100 N
④	M	Permanent magnet approx. 30 N

The solenoid interlock, the actuating unit and the
adjustment target must be ordered separately!

Technical data

Safety inputs X1 and X2:

Voltage range $-3V$... $5V$: Low
Voltage range $15V$... $30V$: High,
typically 4 mA at 24 V

Safety outputs Y1 and Y2:

p-type,
short-circuit proof
 U_{e1} : 24 V
 I_{e1} : 0.25 A
Voltage drop: < 1 V
Utilization category: DC-13
Leakage current I_l : ≤ 0.5 mA

Diagnostic output OUT:

p-type,
short-circuit proof
 U_{e2} : 0 V up to 4 V under U_e
 I_{e2} : max. 0.05A
Utilization category: DC-13
Wiring capacitance for
serial diagnostic: max. 50 nF

Solenoid control IN:

Voltage range $-3V$... $5V$: Low
Voltage range $15V$... $30V$: High,
typically 10 mA at 24 V,
dynamically 20 mA
Solenoid: 100% ED

LED functions

Green: Supply voltage on
Yellow: Operating status
Red: Error

Classification:

Standards: EN ISO 13849-1, IEC 61508
PL: e
Category: 4
PFH value: $3,5 \times 10^{-9}$ / h
SIL: suitable for SIL 3 applications
Mission time: 20 years

**The latching force of the MZM 100 can be set
in steps of approx. 10 N each within a range
of approx. 30 N (factory setting) to approx.
100 N. To this end, the adjustment target
MZM 100 TARGET is used directly on the
fitted MZM 100.**

Connection

Connector Cables:

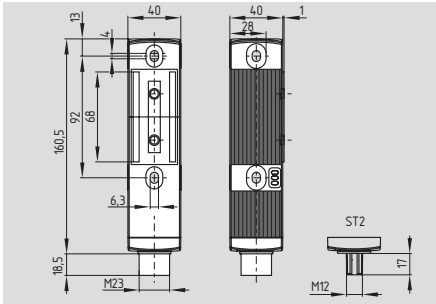
M23, 8+1 pole (IP67) Cable length 5 m	101209959
Cable length 10 m	101209958
M12, 8-pole (IP67) Cable length 2.5 m	103011411
Cable length 5 m	103011412
Cable length 10 m	103011413

Additional Accessories:

SD Gateway	Page 1-92
Series-wiring accessories	Page 1-94
Diagnostic tables	Online
Suitable safety controllers	Page 5-2

Electronic Solenoid interlocks

MZM 100 B



Safety sensor with interlocking function (Actuator monitoring)

- Innovating and unique operating principle
- Accurate adjustment through slotted holes
- Power to lock principle
- Safety sensor must be used as end stop.
- Automatic latching with variable adjustment
- Latching force through permanent magnet approx. 30 N, also in de-energized condition
- Sensor technology permits an offset between actuator and sensor of ± 5 mm vertically and ± 3 mm horizontally
- Intelligent diagnostic signalling of failures
- 3 LED's to show the operating status
- Series-wiring of max. 31 components, without detriment to the category
- AS-Interface Safety at Work available

Approvals



Ordering details

MZM 100 B ①-②RE③-A

No.	Option	Description
①	ST	Connector M23, (8+1)-pole
	ST2	Connector M12, 8-pole
②	1P2PW2	1 diagnostic output and 2 safety outputs, all p-type with combined diagnostic signal: safety guard closed and can be locked
	SD2P	Serial diagnostic output and 2 safety outputs, p-type
③	M	Permanent magnet approx. 30 N

Technical data

Standards: IEC 60947-5-3, EN ISO 13849-1, IEC 61508

Enclosure: glass fiber reinforced thermoplastic, self-extinguishing

Mechanical life: ≥ 1 million operations (for guards ≤ 5 kg; actuating speed ≤ 0.5 m/s)

Electrically adjustable

latching force (RE): 30 N ... 100 N

Permanent magnet (M): 30 N

Holding force F_{max} typically: 750 N

Holding force F guaranteed: 500 N

Protection class: IP65 / IP67

Protection class: II, III

Overvoltage category: III

Degree of pollution: 3

Connection: connector M12 or M23

Series-wiring: max. 31 components

Cable length: max. 200 m (Cable length and cable section alter the voltage drop depending on the output current)

Ambient conditions:

Ambient temperature: -25 °C ... +55 °C

Storage and transport temperature: -25 °C ... +85 °C

Relative humidity: 30% ... 95%, non-condensing, no icing

Resistance to vibration: 10...150 Hz (0.35 mm/5 g)

Resistance to shock: 30 g / 11 ms

Switching frequency f : 1 Hz

Response time: < 150 ms

Duration of risk: < 150 ms

Time to readiness: < 4 s

Electrical data:

U_e : 24 VDC -15% / +10% (stabilised PELV)

Operating current: max. 0.6 A plus current through the safety outputs

I_e : 1 A

U_{imp} : 800 V

U_i : 32 VDC

Device insulation: ≤ 2 A to UL 508; depending on the number of components and loads (Y1, Y2 and OUT)

Ordering details

The safety sensor with interlocking function, the actuating unit and the adjustment target must be ordered separately!

Technical data

Safety inputs X1 and X2:

Voltage range – 3V ... 5V: Low

Voltage range 15V ... 30V: High, typically 4 mA at 24 V

Safety outputs Y1 and Y2: p-type, short-circuit proof

U_{e1} : 24 V

I_{e1} : 0.25 A

Voltage drop: < 1 V

Utilization category: DC-13

Leakage current I_i : ≤ 0.5 mA

Diagnostic output OUT: p-type, short-circuit proof

U_{e2} : 0 V up to 4 V under U_e

I_{e2} : max. 0.05A

Utilization category: DC-13

Wiring capacitance for serial diagnostic: max. 50 nF

Solenoid control IN:

Voltage range – 3V ... 5V: Low

Voltage range 15V ... 30V: High, typically 10 mA at 24 V, dynamically 20 mA

Solenoid: 100% ED

LED functions

Green: Supply voltage on

Yellow: Operating status

Red: Error

Classification:

Standards: EN ISO 13849-1, IEC 61508

PL: e

Category: 4

PFH value: $3,5 \times 10^{-9}$ / h

SIL: suitable for SIL 3 applications

Mission time: 20 years

The latching force of the MZM 100 B can be set in steps of approx. 10 N each within a range of approx. 30 N (factory setting) to approx. 100 N. To this end, the adjustment target MZM 100 TARGET is used directly on the fitted MZM 100 B.

Connection

Connector Cables:

M23, 8+1 pole (IP67) Cable length 5 m **101209959**

Cable length 10 m **101209958**

M12, 8-pole (IP67) Cable length 2.5 m **103011411**

Cable length 5 m **103011412**

Cable length 10 m **103011413**

Additional Accessories:

SD Gateway Page 1-92

Series-wiring accessories Page 1-94

Diagnostic tables Online

Suitable safety controllers Page 5-2

Electronic Solenoid interlocks

Safety monitoring module

Interlocks with power to lock principle may only be used in special cases after a thorough evaluation of the accident risk, since the guarding device can immediately be opened on failure of the electrical power supply or when the main switch is opened.

Diagnostic

Depending on the component variant, the following diagnostic signals are transmitted:

MZM 100 ..-1P2PW variant:

OUT Combined diagnostic signal:
safety guard closed **and**
magnetic interlock locked

MZM 100 B ..-1P2PW2 variant:

OUT Combined diagnostic signal:
safety guard closed **and**
can be locked

Operating principle of the diagnostic output

The short-circuit proof diagnostic output OUT can be used for central indicating or control functions, for instance in a PLC.

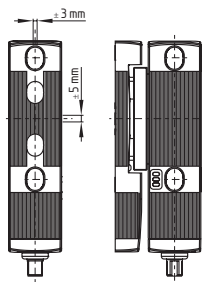
The diagnostic output is not a safety-relevant output!

Serial diagnostic

Detailed information about the use of the serial diagnostics can be found in the operating instructions of the PROFIBUS-Gateway SD-I-DPV0-2 and the Universal-Gateway SD-I-U-... and in the instructions for the integration of the SD-Gateway.

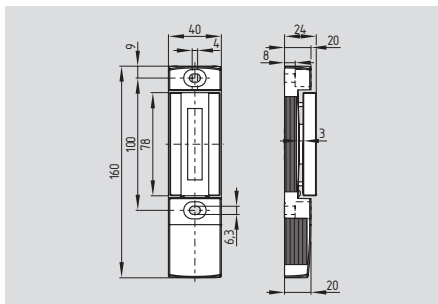
Misalignment

Misalignment



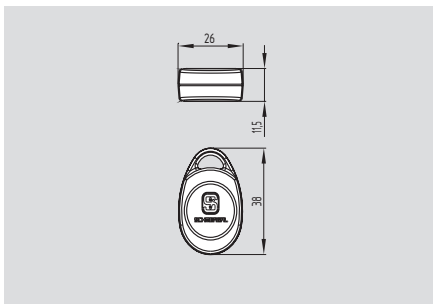
Electronic Solenoid interlocks

Actuator MZM 100-B1.1



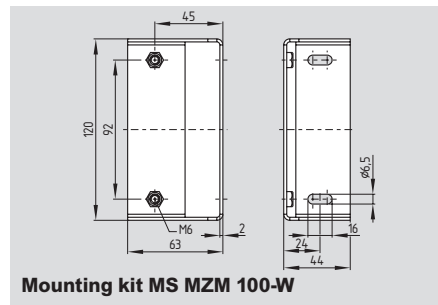
- The magnetic interlocks and the actuator unit must be ordered separately!
- Actuator free from play, i.e. neutralization of undesired noises

MZM 100 TARGET



- Adjustment target for variable adjustment of the latching force of the MZM 100
- Gradually adjustable by steps of approx. 10 N each within the range from approx. 30 N to 100 N
- The adjustment target must be ordered separately

System components



Mounting kit MS MZM 100-W

Approvals



Approvals only in combination with switches MZM 100

Ordering details

Actuator

MZM 100-B1.1

Ordering details

Adjustment target

MZM 100 TARGET

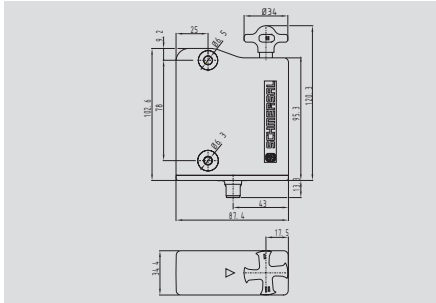
Ordering details

Mounting kit
(screws included in delivery)

MS MZM 100-W

Electronic Solenoid interlocks

Sensor AZM300

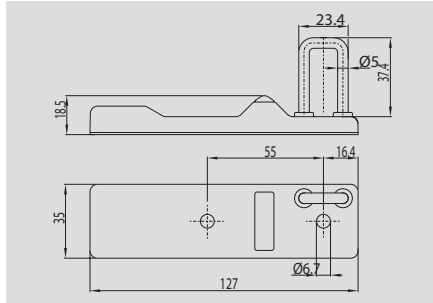


- Thermoplastic enclosure
- 2 short-circuit proof, p-type safety outputs (24 VDC per 250 mA)
- Increased protection against tampering by optional individual coding of safety sensor and actuator
- Adjustable latching from 25N to 50N
- Safety and diagnostic signals can be wired in series
- Integral cross-wire, wire breakage and external voltage monitoring of the safety cables up to the control cabinet
- LED status indication
- Robust design using cleaning agent-resistant materials achieving protection class IP69K

Approvals



Actuator AZM300



- Thermoplastic
- Solenoid actuator key
- Dampener for end stop
- RFID tag

Approvals



Certification in combination with safety sensor

Technical data

Standards: IEC 60947-5-3, IEC 60947-5-1, IEC 61508, EN ISO 13849-1

Enclosure: glass-fibre reinforced thermoplastic

Mode of operation: RFID

Actuator: AZ/AZM300-B1

Series-wiring: unlimited number of components, up to 200 M; max. 31 components for serial diagnosis

Connection: Integrated connector M12

- Integrated connector: M12, 8-pole, A-coded

Switching distances to IEC 60947-5-3:

Rates switching distance S_n : 2 mm

Assured switch-on point S_{so} : 1 mm

Assured switch-off point S_{sr} : 20 mm

Minimum distance between two sensors: 100 mm

Ambient conditions:

Ambient temperature T_u : 0 °C ... +60 °C

Storage and transport temperature: -10 °C ... +90 °C

Protection class: IP66 / IP67 to EN 60529; IP69K to DIN 40050-9

Mechanical Data:

Mechanical life \geq 1,000,000 operations

Clamping force 1,000 N

Latching force 25 N / 50 N

End stop: 5 kg guard door, 0.5 m/s \geq 50,000 operations

Actuator misalignment \leq 2

Emergency unlocking device (Y/N) No

Manual release (Y/N) Yes

Emergency release (Y/N) Yes

Resistance to vibration: 10...150 Hz, amplitude 0.35 mm

Resistance to shock: 30 g / 11 ms

Electrical data:

Switching frequency f : 0.5 Hz

Response time: 120 ms

Duration of risk: $<$ 200 ms

Standby delay: \leq 5 s

Rated Supply voltage U_s : 24 VDC -15% / +10% (PELV)

Power consumption with solenoid enabled: 0.25 A

Power consumption without load: 0.1 A

Required rated short-circuit current: 100 A

Ordering details

AZM300 ① - ② -ST- ③ - ④- ⑤

No.	Option	Description
①	Z	Guard locking monitored
	B	Actuator (RFID) monitored
②		Standard version
	I1	Individual coding (Irreversible)
	I2	Individual coding (re-teachable)
③	1P2P	Diagnostic output
	SD2P	Serial Diagnostic
④		Power to unlock (spring lock)
	A	Power to lock
⑤		without Manual release
	T	Emergency exit
	N	Emergency release

Ordering details

Actuator

AZ/AZM300-B1

Additional Accessories:

SD Gateway

Series-wiring accessories

Diagnostic tables

Suitable safety controllers

Page 1-92

Page 1-94

Online

Page 5-2



N and T release handle placement

Electronic Solenoid interlocks

Technical data

Rated insulation voltage U_i : 32 V
 Rated impulse withstand voltage U_{imp} : 800 V
 No-load current I_0 : 35 mA
 Protection class: II
 Overvoltage category: III
 Degree of pollution: 3

Safety inputs X1/X2:

Rated operating voltage U_{e1} : 24 VDC -15% / +10% (PELV to IEC 60204-1)

Current consumption per input: 5 mA
Safety outputs Y1/Y2: p-type, short-circuit proof

Rated operating current I_{e1} : max. 0.25 A
 Utilization category: AC-12: U_e/I_e : 24V AC/0.25 A
 DC-13: U_e/I_e : 24V DC/0.25 A

Voltage drop: < 1 V

Diagnostic output: p-type, short-circuit proof

Rated operating current I_{e2} : max. 0.05 A
 Utilization category: AC-12: U_e/I_e : 24V AC/0.05 A
 DC-13: U_e/I_e : 24V DC/0.05 A

Voltage drop: < 2 V
Serial diagnostic: short-circuit proof
 Operating current: 150 mA

Wiring capacitance for serial diagnostic: max. 50 nF

External cable protection: Fuse
 - Integrated connector: 2.0 A
 - Connecting cable: 4.0 A

Please observe the cable section of the lead-on cable

LED functions:

Green Supply voltage on
 Yellow Operating status
 Red Error

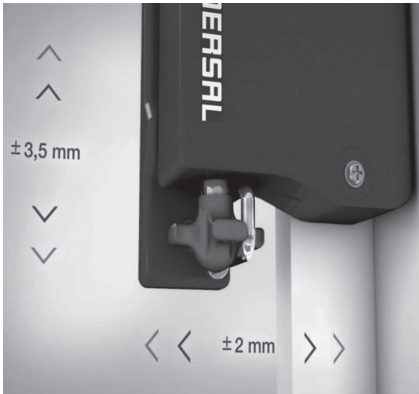
Classification:

Standards: EN ISO 13849-1, IEC 61508, IEC 62061

PL: e
 Category: 4
 PFH: $5.2 \times 10^{-10}/h$
 SIL: suitable for SIL 3 applications
 Mission time: 20 years

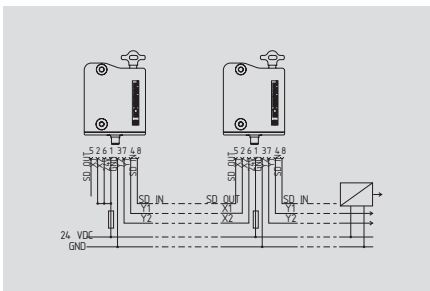
Misalignment

Lateral actuation

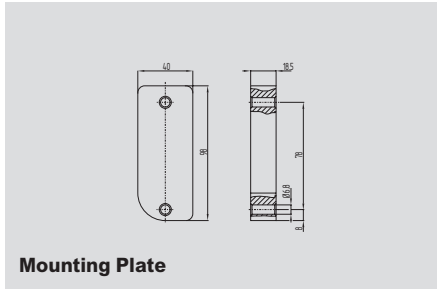


The axial misalignment (Y) is max. ± 3.5 mm.
 The height misalignment (X) is max. ± 2 mm.

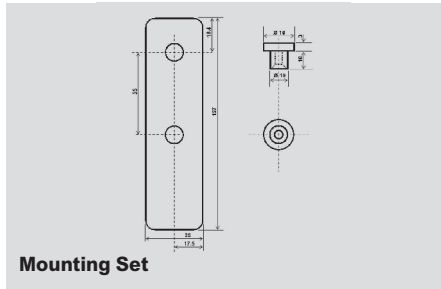
Wiring example



System components



Mounting Plate



Mounting Set

- 1 A1 Supply voltage UB
- 2 X1 Safety input 1
- 3 A2 GND
- 4 Y1 Safety output 1
- 5 OUT Diagnostic output
- 6 X2 Safety input 2
- 7 Y2 Safety output 2
- 8 IN Solenoid control

Connector



Lock Out/Tag Out device

Note

Requirements for the safety controller

Dual-channel safety input, suitable for p-type sensors with normally-open (NO) function. The internal function tests of the sensors cause the outputs to cyclically switch off for max. 0.25 ms, this must be tolerated by the safety controller. The safety controller must not be equipped with cross-wire detection.

Detailed information about the use of the serial diagnostics can be found in the operating instructions of the PROFIBUS-Gateway SD-I-DPV0-2 and the Universal-Gateway SD-I-U-... and in the instructions for the integration of the SD-Gateway.

Coding procedure

Ordering option -I1:

During the individual coding, an actuator is taught by a simple routine during the start-up procedure, so that every form of tampering by means of a replacement or substitute actuator is permanently excluded.

Ordering option -I2:

Teaching the individual coding of an actuator by a simple routine during the start-up procedure (as -I1). A protected coding process enables the teaching of a new actuator for service purposes. Previous actuators are overridden and will no longer be recognized. There is a 10 minute delay after teaching in a new actuator before the switch will function again.

Ordering details

Mounting

Spacer plate **MP-AZ/AZM300-1**
 Actuator mounting kit **MS-AZ/AZM300-B1**

Connector Cables

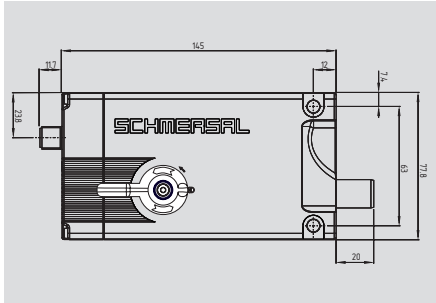
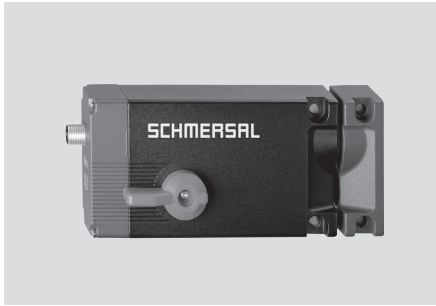
M12, 8-pole (IP67)
 Cable length 2.5 m **103011411**
 Cable length 5 m **103011412**
 Cable length 10 m **103011413**

M12, 8-pole (IP69K)
 Cable length 5 m **101210560**
 Cable length 5 m (angled) **101210561**
 Cable length 10 m **103001389**

Lock out/Tag out device **SZ200-1**

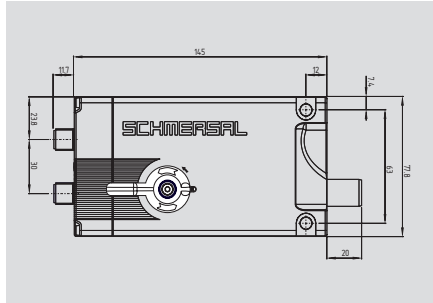
Electronic Solenoid interlocks

Sensor AZM400



- Bistable, motor driven system
- Holding force of 10,000N
- Die-cast aluminum enclosure
- 2 short-circuit proof, p-type safety outputs (24 VDC per 250 mA)
- Increased protection against tampering by optional individual coding of safety sensor and actuator
- Manual release or Emergency exit
- LED status indication
- PLe / cat 4 / SIL3 for interlocking and guard locking function
- Protection class IP66 / IP67

Sensor AZM400...-E



- Electronic manual release version
- Includes second diagnostic output
- Second M12 connector to connect to auxiliary power supply

Technical data

Standards: IEC 60947-5-1, IEC 61508, ISO 14119, EN ISO 13849-1

Enclosure: aluminum, die cast

Mode of operation: magnetic field/RFID

Actuator: AZM400-B1

Connection:

ST: 1 connector: M12, 8-pole, A-coded

ST2: 2 connector: M12, 8-pole/5-pole, A-coded

Switching distances:

Allowable distance actuator/device incl. angle displacement: 1 ... 7 mm

Minimum distance between sensors: 30 mm

Ambient conditions:

Ambient temperature: 0 °C ... +55 °C

Storage and transport temperature: -40 °C ... +85 °C

Protection class: IP66 / IP67 to EN 60529

Mechanical Data:

Mechanical life: >= 1,000,000 operations

Holding force: 10,000 N

Actuator misalignment: +/- 4 mm

Emergency unlocking device (Y/N): Yes

Manual release (Y/N): Yes

Emergency release (Y/N): Yes

Resistance to vibration: 10...150 Hz, amplitude 0.35 mm

Resistance to shock: 30 g / 11 ms

Electrical data:

Switching frequency f: 0.3 Hz

Response time: ≤ 100 ms

Min. open / close cycle (motor): 3 s

- with continuous operation: min. average cycle time: 20 s

Rated Supply voltage U_s : 24 VDC -15% / +10% (PELV)

Power consumption: 0.1 A

Operating current when bolt being driven: max 0.6 A

Required rated short-circuit current: 100 A

Approvals



Ordering details

AZM400Z-ST- ① -1P2P- ②

No.	Option	Description
①	I1	Standard coding version Individual coding (Irreversible)
	I2	Individual coding (reteachable)
②	M	Manual release
	T	Emergency release knob

Ordering details

AZM400Z-ST2- ① -2P2P- ② -E

No.	Option	Description
①	I1	Standard coding version Individual coding (Irreversible)
	I2	Individual coding (reteachable)
②	M	Manual release
	T	Emergency release knob

Note

Bistable motorized lock:

The AZM400 solenoid interlock is bistable: power-to-lock and power-to-unlock. If power is lost, the lock bolt remains in its last position.

Block Drive:

If the locking bolt does not reach the "locked" condition with the first attempt, the AZM400 makes an autonomous attempt. If the second attempt also fails, the AZM400 will signal a fault. After malfunction, condition of the control inputs has to be changed to allow the locking bolt to be driven out again.

Actuator, cables, and other accessories ordered separately

Electronic Solenoid interlocks

Technical data

Rated insulation voltage U_i : 32 V
 Rated impulse withstand voltage U_{imp} : 800 V
 Protection class: III
 Overvoltage category: III
 Degree of pollution: 3

Control inputs to unlock: E1 and E2, p-type;
 E3, n-type

Safety inputs:

Switching thresholds - 3 V ... 5 V (low)
 15 V ... 30V (high)

Current consumption per input: > 10mA ... < 15mA / 24V

Safety outputs Y1/Y2: p-type, short-circuit proof

-ST1: 1 diagnostic output, OUT

-ST2: 2 diagnostic outputs, OUT1 and OUT2

Rated operating current I_{e1} : max. 0.25 A

Utilization category: AC-12: U_e/I_e : 24V AC/0.25 A
 DC-13: U_e/I_e : 24V DC/0.25 A

Voltage drop: $\leq 2V$

Diagnostic output: p-type, short-circuit proof

Rated operating current I_{e2} : max. 0.05 A

Utilization category: AC-12: U_e/I_e : 24V AC/0.05 A
 DC-13: U_e/I_e : 24V DC/0.05 A

Voltage drop: < 2 V

LED functions:

Green Supply voltage on
 Yellow Operating status
 Red Error code flashes

Classification: (interlock function)

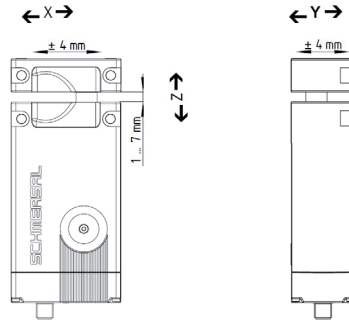
Standards: EN ISO 13849-1, IEC 61508,
 PL: e
 Category: 4
 PFH : $1.0 \times 10^{-9}/h$
 PFD : 9.0×10^{-5}
 SIL: suitable for SIL 3 applications
 Mission time: 20 years

Classification: (guard lock function)

Standards: EN ISO 13849-1, IEC 61508
 PL: e
 Category: 4
 PFH : $1.8 \times 10^{-9}/h$
 PFD : 1.6×10^{-4}
 SIL: suitable for SIL 3 applications
 Mission time: 20 years

Misalignment

Misalignment tolerances

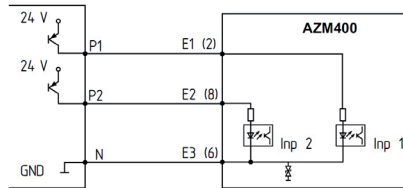


X-Axis: ± 4 mm.

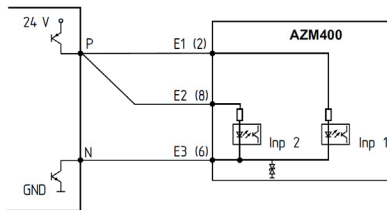
Y-Axis ± 4 mm.

Z Axis: distance between actuator and switch housing should be between 1 mm to 7 mm, with max angle offset of 2°

Wiring examples:

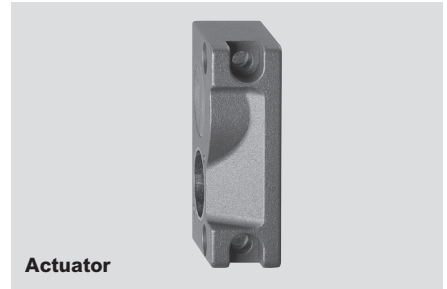


Use of safety outputs of the type P/P

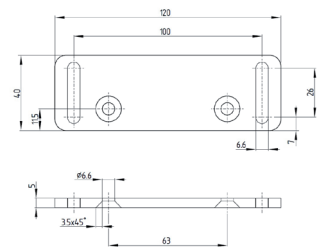


Use of the safety controls of the type P/N

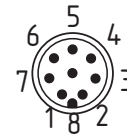
System components



Actuator



Mounting Set



Connector, M12, 8-pole



Connector, M12, 5-pole (-E version only)

Note

Requirements for the safety controller

Dual-channel safety input, suitable for p-type sensors with normally-open (NO) function. The internal function tests of the sensors cause the outputs to cyclically switch off for max. 0.25 ms, this must be tolerated by the safety controller. The safety controller must not be equipped with cross-wire detection.

Coding procedure

Ordering option -I1:

During the individual coding, an actuator is taught by a simple routine during the start-up procedure, so that every form of tampering by means of a replacement or substitute actuator is permanently excluded.

Ordering option -I2:

Teaching the individual coding of an actuator by a simple routine during the start-up procedure (as -I1). A protected coding process enables the teaching of a new actuator for service purposes. Previous actuators are overridden and will no longer be recognized. There is a 10 minute delay after teaching in a new actuator before the switch will function again.

Ordering details

Actuator **AZM400-B1**
 Mounting set **MS-AZM400**
 For 40mm profile installations

Connection cables

M12, 8-pole (IP67)
 Cable length 2.5 m **103011411**
 Cable length 5 m **103011412**
 Cable length 10 m **103011413**

M12, 5-pole (IP67)
 Cable length 5 m **103010816**
 Cable length 10 m **103010818**

Additional Accessories:

Manual bypass key (M5 triangle) **AZM-KEY**
 Diagnostic tables Online
 Suitable safety controllers Page 5-2

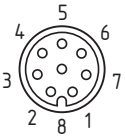
Electronic Solenoid interlocks

Connectors M12, 8-pole for AZM 200, MZM 100, AZM300, AZM400

Function of the safety switchgear

AZM200 / AZM300 / MZM100			AZM400		AZM400...-E		Pin configuration of the integrated connector
	with conventional diagnostic output	with serial diagnostics					
A1	U _e	U _e	A1	U _b	OUT2	Diagnostic output 2	1
X1	Safety input 1	Safety input 1	E1	Control input 1	E1	Safety output 1	2
A2	GND	GND	A2	GND	--	-not connected-	3
Y1	Safety output 1	Safety output 1	Y1	Safety output 1	Y1	Safety output 1	4
OUT	Diagnostic output	SD output	OUT	Diagnostic output	OUT1	Diagnostic output 1	5
X2	Safety input 2	Safety input 2	E3	Control input 3	E3	Safety input 2	6
Y2	Safety output 2	Safety output 2	Y2	Safety output 2	Y2	Safety output 2	7
IN	Solenoid control	SD input	E2	Control input 2	E2	Solenoid control	8

M12, 8-pole



Ordering details

Connecting cables with female connector

IP67, M12, 8-pole - 8 x 0.23 mm

Cable length 2.5 m	103011411
Cable length 5 m	103011412
Cable length 10 m	103011413

Connecting cables with female connector

IP67/IP69, M12, 8-pole - 8 x 0.25 mm

Cable length 5 m	103007358
Cable length 10 m	103007359

Connecting cables with female connector

IP69K, M12, 8-pole - 8 x 0.21 mm

Cable length 5 m	101210560
Cable length 5 m, angled	101210561
Cable length 10 m	103001389

Connectors M12, 5-pole for AZM400...-E

Ordering details

Connecting cables with female connector

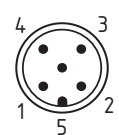
IP67, M12, 5-pole - 5 x 0.34 mm

Cable length 5 m	103010816
Cable length 10 m	103010818

Function of the safety switchgear

		Pin configuration of the integrated connector
A1	U _b	1
H2	GND	2
A2	GND	3
H1	U _{he}	4
FE	Functional Earth connection	5

M12, 5-pole



Connectors M23, (8+1)-pole for AZ/AZM 200, MZM 100

Ordering details

Connecting cables with female connector

IP67, M23, 8+1-pole - (LIYY) 8 x 0.75 mm

Cable length 5 m	101209959
Cable length 10 m	101209958

Connectors without cable

IP67, M23, 8+1-pole

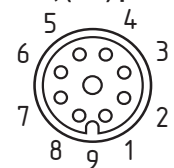
with soldering terminal	101209970
with crimp terminal	101209994

Note For color codes of connectors, please refer to the cable datasheet

Function of the safety switchgear

	with conventional diagnostic output	with serial diagnostics	Pin configuration of the integrated connector	Wire number of the Schmersal connectors
A1	U _e	U _e	1	1
X1	Safety input 1	Safety input 1	2	2
A2	GND	GND	3	3
Y1	Safety output 1	Safety output 1	4	4
OUT	Diagnostic output	SD output	5	5
X2	Safety input 2	Safety input 2	6	6
Y2	Safety output 2	Safety output 2	7	7
IN	Solenoid control	SD input	8	8
-	-without function-	-without function-	9	

M23, (8+1)-pole



Safe switching and monitoring

Non-Contact Safety Sensors



Electronic safety sensors are used to detect guard door closure. These sensors use non-contact operating principles (pulse echo or RFID) that limits wear on components, and tolerates misalignment. A microprocessor provides continuous internal function tests and monitors the safety outputs, meeting PLe to ISO13849-1 and SIL 3 to IEC61508, even when wired in series. Three color LEDs on the sensor indicate status, various errors, and misalignment. For more advanced indication these models are also available with serial diagnostics to connect to commercial field bus systems.

Magnetic safety sensors are of particular advantage in cases where extremely dirty conditions can occur or high hygienic standards need to be maintained. This is provided by the simplicity of cleaning the units.

A further advantage is the facility for concealed mounting under non-magnetic materials. Working surfaces and storage areas can be arranged without the need for dust-collecting edges or other functionally required cut-outs or projections.

These switches are available in a variety of profiles and housing materials, including IP69K rated models.

Electronic safety sensors

RFID based sensor

RSS36	1-72
RSS260	1-74
RSS16	1-76

Cylindrical housings

CSS30	1-78
CSS30S	1-80
CSS300	1-82
CSS180	1-88

Rectangular housings

CSS34	1-84
-------	------

SD Gateways

1-92

Accessories

1-94

Coded Magnet Sensors

Rectangular housings

BNS260	1-98
BNS40S	1-100
BNS36	1-102
BNS16	1-104
BNS333	1-106

Cylindrical housings

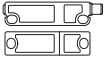
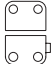

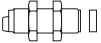

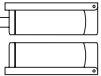

BNS303	1-107
BNS300	1-108
BNS30	1-109

Door handle

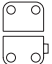
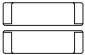
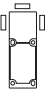
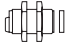

BNS-B20	1-111
---------	-------

Selection tables: safety sensors

Electronic Safety Sensors


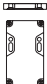



Design	Sensor type	Contacts	Connecting options	Actuator type	Coded	Distance s_{ao}/s_{ar} [mm]	Integrated monitoring
	RSS 36	-2P+D -2P+SD	ST ST	RST 36-1 RST 36-1-R RST 16-1 RST-U-2	•	10 / 16	
	RSS 260	-D -SD	Ltg, ST Ltg, ST	RST 260-1 RST 16-1 RST-U-2	•	10 / 18	
	RSS 16	-2P -2P+D	Ltg, ST Ltg, ST	RST 16-1 RST-16-1-R	•	12 / 30 5 / 30 (Latching)	
	CSS 30	-2P+D	Ltg	CST 30-1	•	12 / 19	
	CSS 30S / CSS 300	-2P+D -2P+SD	ST ST	CST 30S-1	•	8 / 15	
	CSS 34	-2P+D -2P+SD	Ltg, ST	refer to table page 1-83	•	refer to table page 1-83	• (CSS 34F.)
	CSS 180	-2P -2P+D	Ltg, ST Ltg, ST	CST 180-1 CST 180-2	•	7 / 10	

Coded Magnet Safety Sensors


Design	Sensor type	Contacts	Connecting options	Actuator type	Coded	Distance s_{ao}/s_{ar} [mm]	Integrated monitoring
	BNS 260	-02Z(G) -11Z(G) -02/01Z(G) -11/01Z(G)	Ltg, ST Ltg, ST Ltg, ST	BPS 260-1 BPS 260-2	•	5 / 15	
	BNS 36	-02Z(G) -11Z(G) -02/01Z(G) -11/01Z(G)	Ltg, ST Ltg, ST Ltg, ST	BPS 36-1 BPS 36-2	•	7 / 17	
	BNS 333	-01Y	SK	BPS 300 BPS 303	•	4 / 14	•
	BNS 303	-11Z(G) -12Z(G) -12Z(G)-2187	Ltg, ST Ltg, ST Ltg	BPS 300 BPS 303	•	5 / 15	
	BNS 30 BNS 300	-01ZG	Ltg, ST	BPS 300 BPS 303	•	5 / 15	•

Selection tables: safety sensors

Increased switching distance

Design	Sensor type	Contacts	Connecting options	Actuator type	Coded	Distance s_{ao}/s_{ar} [mm]	Integrated monitoring
	BNS 40S / BNS 40S...-C	-12Z(G)	Ltg	BPS 40S-1 BPS 40S-2 BPS 40S-1-C BPS 40S-2-C	•	8 / 18	
	BNS 16	-12Z	SK	BPS 16	•	8 / 18	
	BNS 303 -2211	-11Z(G) -12Z(G)	Ltg, ST Ltg, ST	BPS 300 BPS 303	•	8 / 18	
	BNS 30 -2211	-01ZG	Ltg, ST	BPS 300 BPS 303	•	8 / 18	•
	BNS 300 -2211	-01Z(G)	Ltg, ST	BPS 300 BPS 303	•	8 / 18	•

Door-handle with integrated safety switch

Design	Sensor type	Contacts	Connecting options	Actuator type	Coded	Distance s_{ao}/s_{ar} [mm]	Integrated monitoring
	BNS-B20	-12ZG	ST	BNS-B20-B01	•	0 / 22	

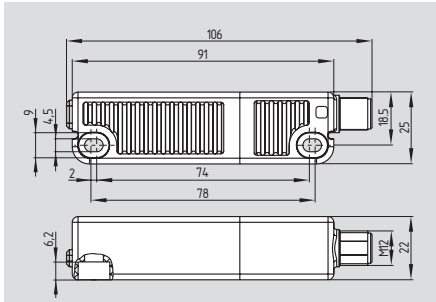
G = with LED
(option)

Ltg = Cable
ST = Plug-in connector
SK = Screw terminals

Technical data and ordering details can be
obtained from the following pages.

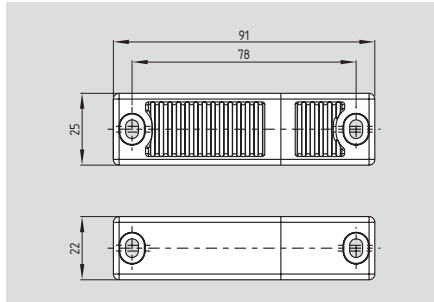
Electronic safety sensors

Sensor RSS 36



- Thermoplastic enclosure
- 2 short-circuit proof, p-type safety outputs (24 VDC per 250 mA)
- Increased protection against tampering by optional individual coding of safety sensor and actuator
- Optional version with latching available
- Safety and diagnostic signals can be wired in series
- Integral cross-wire, wire breakage and external voltage monitoring of the safety cables up to the control cabinet
- LED status indication
- Integrated M12 connector
- Robust cleaning agent-resistant housing materials and protection class up to IP69K
- AS-Interface Safety at Work available

Actuator RST 36-1



- Thermoplastic enclosure
- Flexible fitting through universal mounting holes

Technical data

Standards: IEC 60947-5-3, IEC 61508, EN ISO 13849-1
 Enclosure: glass fiber reinforced thermoplastic
 Mode of operation: RFID
 Actuator: RST 36-1, RST 36-1-R
Series-wiring: unlimited number of components, however safety-dependent; max. 31 components for serial diagnosis
 Connection: Integrated connector M12
 - Integrated connector: M12, 8-pole, A-coded
 Cable length: max. 30 m

(Cable length and cable section alter the voltage drop depending on the output current)

Switching distances to IEC 60947-5-3:

Rates switching distance S_n : 12 mm
 Assured switch-on point S_{ao} : 10 mm
 Assured switch-off point S_{ar} : 16 mm
 Hysteresis: < 2.0 mm
 Repeat accuracy: < 0.5 mm
 Minimum distance between two sensors: 100 mm

Ambient conditions:

Ambient temperature T_u : -25 °C ... +70 °C
 Storage and transport temperature: -25 °C ... +85 °C
 Protection class: IP65 / IP67 to EN 60529; IP69K to DIN 40050-9

Resistance to vibration: 10...55 Hz, amplitude 1 mm

Resistance to shock: 30 g / 11 ms
 Switching frequency f : 1 Hz
 Response time: ≤ 100 ms
 Duration of risk: ≤ 200 ms
 Standby delay: ≤ 5 s

Electrical data:

Rated operating voltage U_e : 24 VDC -15% / +10% (PELV)

Rated operating current I_e : 0.6 A

Lowest operating current I_m : 0.5 mA

Required rated short-circuit current: 100 A

Rated insulation voltage U_i : 32 V

Rated impulse withstand voltage U_{imp} : 800 V

No-load current I_0 : 35 mA

Protection class: II

Overvoltage category: III

Approvals



Approvals



Ordering details

RSS 36 ①-②-③-ST

No.	Option	Description
①	I1	Standard coding
	I2	Individual coding
	D	Individual coding, unlimited
②	SD	With diagnostic output
		Without latching
③	R	With latching, latching force approx. 18 N

Ordering details

Actuator **RST 36-1**
 Actuator, with latching magnet **RST 36-1-R**
 (The latching function is only active when RSS 36-...R is combined with RST 36-1-R.)

Actuator, sealing kit and tamper-proof screws must be ordered separately.

Additional accessories

SD Gateway Page 1-92
 Series-wiring accessories Page 1-94
 Diagnostic tables Online
 Suitable safety controllers Page 5-2

Note

Connection cables

M12, 8-pole (IP67)
 Cable length 2.5 m **103011411**
 Cable length 5 m **103011412**
 Cable length 10 m **103011413**

M12, 8-pole (IP69K)
 Cable length 5 m **101210560**
 Cable length 5 m (angled) **101210561**
 Cable length 10 m **103001389**

Electronic safety sensors

Technical data

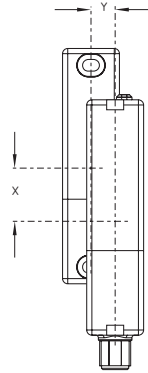
Degree of pollution:	3
Safety inputs X1/X2:	
Rated operating voltage U_{e1} :	24 VDC -15% / +10% (PELV to IEC 60204-1)
Current consumption per input:	5 mA
Safety outputs Y1/Y2:	p-type, short-circuit proof
Rated operating current I_{e1} :	max. 0.25 A
Utilization category:	AC-12: U_e/I_e : 24V AC/0.25 A DC-13: U_e/I_e : 24V DC/0.25 A
Voltage drop:	< 1 V
Diagnostic output:	p-type, short-circuit proof
Rated operating current I_{e2} :	max. 0.05 A
Utilization category:	AC-12: U_e/I_e : 24V AC/0.05 A DC-13: U_e/I_e : 24V DC/0.05 A
Voltage drop:	< 2 V
Serial diagnostic:	short-circuit proof
Operating current:	150 mA
Wiring capacitance for serial diagnostic:	max. 50 nF
External cable protection:	Fuse
- Integrated connector:	2.0 A
- Connecting cable:	4.0 A
	Please observe the cable section of the lead-on cable
LED functions:	
Green	Supply voltage on
Yellow	Operating status
Red	Error
Classification:	
Standards:	EN ISO 13849-1, IEC 61508, IEC 62061
PL:	e
Category:	4
PFH :	$2.7 \times 10^{-10}/h$
PFD:	2.1×10^{-5}
SIL:	suitable for SIL 3 applications
Mission time:	20 years

Note

Requirements for the safety controller
Dual-channel safety input, suitable for p-type sensors with normally-open (NO) function. The internal function tests of the sensors cause the outputs to cyclically switch off for max. 0.25 ms, this must be tolerated by the safety controller. The safety controller must not be equipped with cross-wire detection. Detailed information about the use of the serial diagnostics can be found in the operating instructions of the PROFIBUS-Gateway SD-I-DPV0-2 and the Universal-Gateway SD-I-U-... and in the instructions for the integration of the SD-Gateway.

Misalignment

Lateral actuation

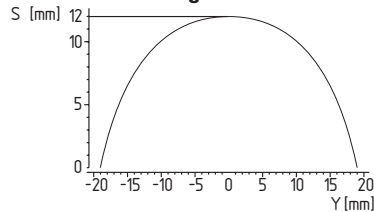


The axial misalignment (Y) is max. ± 18 mm. The height misalignment (X) is max. ± 8 mm. Latching versions $X \pm 5$ mm, $Y \pm 3$ mm. The latching force is reduced by misalignment.

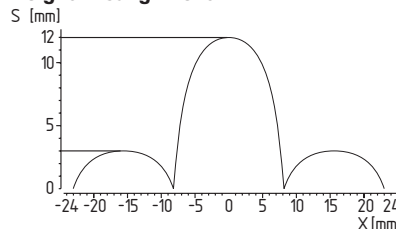
Actuating curves

The actuating curves (S) represent the typical switching distance of the safety sensor during the approach of the actuator subject to the actuating direction.

Transverse misalignment



Height misalignment



Preferred actuating directions:

from front or from side

Coding procedure

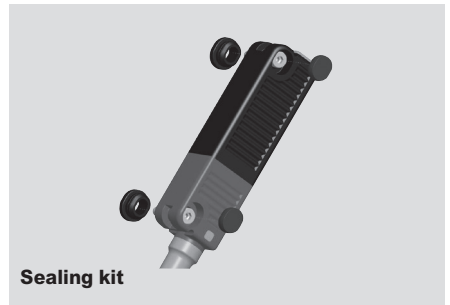
Ordering option -I1:

During the individual coding, an actuator is taught by a simple routine during the start-up procedure, so that every form of tampering by means of a replacement or substitute actuator is permanently excluded.

Ordering option -I2:

Teaching the individual coding of an actuator by a simple routine during the start-up procedure (as -I1). A protected coding process enables the teaching of a new actuator for service purposes. Previous actuators are overridden and will no longer be recognized. There is a 10 minute delay after teaching in a new actuator before the switch will function again.

System components



Ordering details

Sealing kit ACC RSS 36-SK **101215048**
for sealing the mounting holes and as spacer (approx. 3 mm) to facilitate the cleaning below the mounting surface (also suitable as tampering protection for the screw fastening)

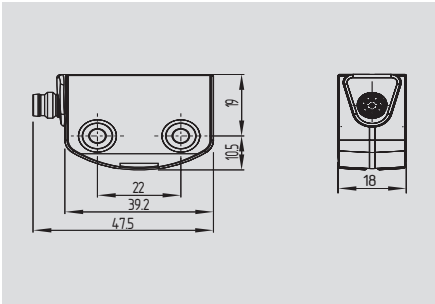
Alternate Actuators:
Actuator (flat)
Actuator (compact)

RST 16-1
RST-U-2

Tamperproof screws with unidirectional slots
M4x25, 4 pieces **101217746**
M4x30, 4 pieces **101217747**

Electronic safety sensors

Sensor RSS 260



- Thermoplastic enclosure
- 2 short-circuit proof, p-type safety outputs (24 VDC per 250 mA)
- Increased protection against tampering by optional individual coding of safety sensor and actuator
- Symmetrical housing offers multiple mounting options
- Safety and diagnostic signals can be wired in series
- Integral cross-wire, wire breakage and external voltage monitoring of the safety cables up to the control cabinet
- LED status indication
- Integrated M8 connector or prewired cable with connector end
- Compact design (40 x 18 x 29.5 mm)
- AS-Interface Safety at Work available

Approvals



Ordering details

RSS 260-①-②-ST

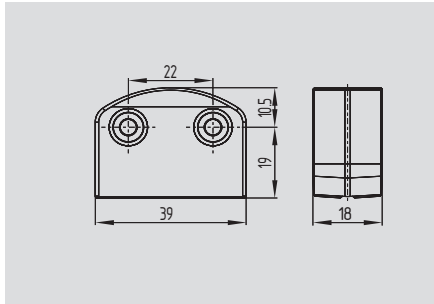
No.	Option	Description
①	I1	Standard coding
	I2	Individual coding
	D	Individual coding, unlimited
②	D	With diagnostic output
	SD	With serial diagnostic

Prewired cable with connector end:

RSS 260-D-LSTM12-8-0.25M

RSS 260-I2-D-LSTM12-8-0.25M

Actuator RST 260



- Thermoplastic enclosure
- Flexible fitting through universal mounting holes

Approvals



Ordering details

Actuator **RST 260-1**

Actuator and other system components (cables, sealing kit, mounting kit, tamper-proof screws) must be ordered separately.

Technical data

Standards: IEC 60947-5-3, IEC 61508, EN ISO 13849-1
 Enclosure: thermoplastic PBT
 Mode of operation: RFID
 Actuator: RST260-1, TSR16-1, RST-U-2
Series-wiring: unlimited number of components, however safety-dependent; max. 31 components for serial diagnosis
 Connection: Connector M8, 8-pole, A-coded

Switching distances to IEC 60947-5-3:

Typical switching distance: 12 mm
 -in case of sidewise actuation: 9 mm
 Assured switch-on point S_{ao} :
 -in temperature range $-10\text{ °C} \dots +60\text{ °C}$: 10 mm
 -in case of sidewise actuation: 6 mm
 -in temperature range $-25\text{ °C} \dots +65\text{ °C}$: 8 mm
 -in case of sidewise actuation: 4 mm
 Assured switch-off point S_{ar} : 18 mm
 Hysteresis: < 2.0 mm
 Repeat accuracy: < 0.5 mm
 Minimum distance between two sensors: 100 mm

Ambient conditions:

Ambient temperature T_u : $-25\text{ °C} \dots +65\text{ °C}$
 Storage and transport temperature: $-25\text{ °C} \dots +85\text{ °C}$
 Protection class: IP65 / IP67 to EN 60529;
 Resistance to vibration: $10 \dots 55\text{ Hz}$, amplitude 1 mm
 Resistance to shock: 30 g / 11 ms
 Switching frequency f: 1 Hz
 Response time: $\leq 100\text{ ms}$
 Duration of risk: $\leq 200\text{ ms}$
 Standby delay: $\leq 5\text{ s}$

Electrical data:

Rated operating voltage U_e : 24 VDC $-15\% / +10\%$ (PELV)
 Rated operating current I_e : 0.6 A
 Lowest operating current I_m : 0.5 mA
 Required rated short-circuit current: 100 A
 Rated insulation voltage U_i : 32 V
 Rated impulse withstand voltage U_{imp} : 800 V
 No-load current I_0 : 35 mA
 Overvoltage category: III

Safety inputs X1/X2:

Note

Additional information:

SD Gateway Page 1-92
 Series-wiring accessories Page 1-94
 Diagnostic tables Online
 Suitable safety controllers Page 5-2

Connector Cable, M8, 8-pole

2 m cable, straight connector **103003638**
 5 m cable, straight connector **103003639**
 10 m cable, straight connector **103003640**
 2 m cable, right angle connector **103003641**
 5 m cable, right angle connector **103003642**
 10 m cable, right angle connector **103003643**

2 m cable, M8 fem to M12 male **103003645**

Electronic safety sensors

Technical data

Rated operating

voltage U_{e1} : 24 VDC -15% / +10%
(PELV to IEC 60204-1)

Current consumption per input: 5 mA

Safety outputs Y1/Y2: p-type, short-circuit proof

Rated operating current I_{e1} : max. 0.25 A

Utilization category: DC-12: U_e/I_e : 24V AC/0.25 A
DC-13: U_e/I_e : 24V DC/0.5 A

Voltage drop: $U_e < 1$ V

Diagnostic output: p-type, short-circuit proof

Rated operating current I_{e2} : max. 0.05 A

Utilization category: DC-12: U_e/I_e : 24V AC/0.05 A
DC-13: U_e/I_e : 24V DC/0.25 A

Voltage drop: $U_e < 2$ V

Serial diagnostic: short-circuit proof

Operating current: 150 mA

Wiring capacitance: max. 50 nF

Device fuse rating: ≤ 2 A when used to UL508

LED functions:

Green Supply voltage on

Yellow Operating status

Red Error

Classification:

Standards: EN ISO 13849-1, IEC 61508, IEC 62061

PL: e

Category: 4

PFH: $6.8 \times 10^{-10}/h$

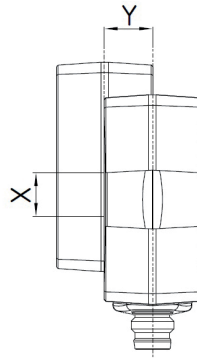
PFD: 1.2×10^{-4}

SIL: suitable for SIL 3 applications

Mission time: 20 years

Misalignment

Lateral actuation

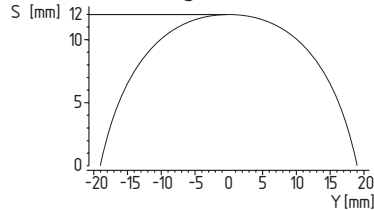


The axial misalignment (Y) is max. ± 18 mm.
The height misalignment (X) is max. ± 8 mm.
Latching versions $X \pm 5$ mm, $Y \pm 3$ mm.
The latching force is reduced by misalignment.

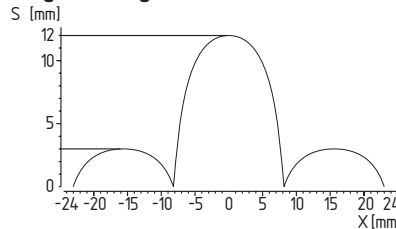
Actuating curves

The actuating curves (S) represent the typical switching distance of the safety sensor during the approach of the actuator subject to the actuating direction.

Transverse misalignment



Height misalignment



Preferred actuating directions:

from front or from side

Coding procedure

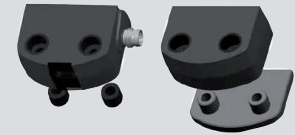
Ordering option -I1:

During the individual coding, an actuator is taught by a simple routine during the start-up procedure, so that every form of tampering by means of a replacement or substitute actuator is permanently excluded.

Ordering option -I2:

Teaching the individual coding of an actuator by a simple routine during the start-up procedure (as -I1). A protected coding process enables the teaching of a new actuator for service purposes. Previous actuators are overridden and will no longer be recognized. There is a 10 minute delay after teaching in a new actuator before the switch will function again.

System components



Mounting set



Actuator RST 16-1



Actuator RST-U-2



Tamperproof screws

Note

Requirements for the safety controller

Dual-channel safety input, suitable for p-type sensors with normally-open (NO) function.

The internal function tests of the sensors cause the outputs to cyclically switch off for max. 0.25 ms, this must be tolerated by the safety controller. The safety controller must not be equipped with cross-wire detection.

Detailed information about the use of the serial diagnostics can be found in the operating instructions of the PROFIBUS-Gateway SD-I-DPV0-2 and the Universal-Gateway SD-I-U-.... and in the instructions for the integration of the SD-Gateway.

Ordering details

Sealing kit **ACC RSS 260-SK** 103004733
for sealing the mounting holes

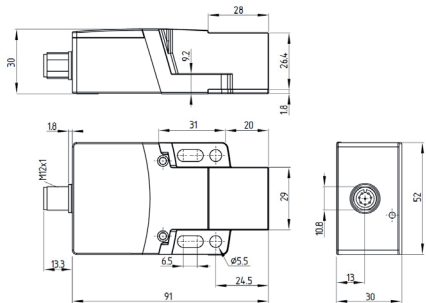
Mounting set **ACC RSS260-MK** 103005469

Alternate actuators:
Actuator (flat) **RST 16-1**
Actuator (compact) **RST-U-2**

Tamperproof screws with unidirectional slots
M4x20, 4 pieces 103006158
M4x25, 4 pieces 101217746

Electronic safety sensors

Sensor RSS 16

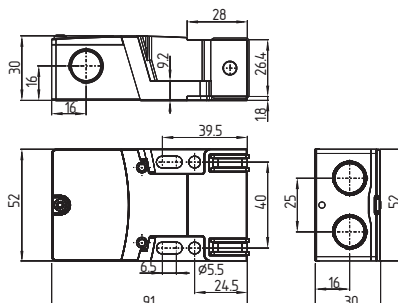


- Thermoplastic enclosure
- 2 short-circuit proof, p-type safety outputs (24 VDC per 250 mA)
- Increased protection against tampering by optional individual coding of safety sensor and actuator
- Safety and diagnostic signals can be wired in series
- Integral cross-wire, wire breakage and external voltage monitoring of the safety cables up to the control cabinet
- LED status indication
- Sensor with screw terminals, cage clamps or with integrated connector (ST)
- Protection class IP65/IP66/IP67
- Three actuating surfaces (front, top, back)
- AS-Interface Safety at Work available

Approvals



Sensor RSS 16...-R



- Version with magnetic latching
- Latching force: 40 N from front/back
60 N from top
- Can be used as a door end stop (up to 5 kg door, traveling at up to 0.35 m/s)

Approvals



Ordering details

RSS 36 ①-②-③

No.	Option	Description
①	I1	Standard coding
	I2	Individual coding
	I2	Individual coding, unlimited
②	D	With diagnostic output
	SD	With serial diagnostic
③	ST8H	With integrated connector M12
	CC	With cage clamps
	SK	With connecting cable 2 m
	ST	With integrated connector M12

Ordering details

RSS 36 ①-②-R-③

No.	Option	Description
①	I1	Standard coding
	I2	Individual coding
	I2	Individual coding, unlimited
②	D	With diagnostic output
	SD	With serial diagnostic
③	ST8H	With integrated connector M12
	CC	With cage clamps
	SK	With connecting cable 2 m
	ST	With integrated connector M12

Technical data

Standards: IEC 60947-5-3, EN ISO 13849-1, IEC 61508

Enclosure: glass fiber reinforced thermoplastic
Magnetic latching, anchor and pole plates:

Stainless steel 1.4016:

Mode of operation: RFID

Actuator: RST 16-1, RST-16-1-R, RST-U-2

Switching distances to IEC 60947-5-3:

Rates switching distance S_{ri} : 15 mm

Assured switch-on distance S_{a0} : 12 mm

- latching version 5 mm

Assured switch-off distance S_{ar} : 30 mm

Hysteresis: < 2.0 mm

Repeat accuracy R: < 0.5 mm

Series-wiring: Unlimited number of components, please observe external cable protection, max. 31 components for Serial Diagnostics

Cable length: max. 200 m

(Cable length and cable section alter the voltage drop depending on the output current)

Connection: M12, 8-pole Acoded connector

Cage Clamps

Screw Terminals

Cable section according to execution:

- cage clamp 10 x 0.5 mm² ... 1.5 mm²

- screw terminals 10 x 0.14 mm² ... 1.5 mm²

Ambient conditions:

Ambient temperature T_u : -25 °C ... +70 °C

Storage/transport temp: -25 °C ... +85 °C

Resistance to vibration: 10...55 Hz, amplitude 1 mm

Resistance to shock: 30 g / 11 ms

Protection class: IP65 / IP67

- Connector version: IP16 / IP66 / IP67

Electrical data:

Rated operating

voltage U_e : 24 VDC -15% / +10%

(PELV to IEC 60204-1)

Rated operating current I_o : 2.1 A

Required rated short-circuit current: 100 A

Rated insulation voltage U_i : 32 V

Rated impulse withstand voltage U_{imp} : 800 V

No-load current I_0 : 45 mA

Response time: ≤ 100 ms

Duration of risk: ≤ 200 ms

Overvoltage category: III

Connection

Connection cables

M12, 8-pole (IP67)

Cable length 2.5 m

103011411

Cable length 5 m

103011412

Cable length 10 m

103011413

Additional Accessories:

SD Gateway Page 1-92

Series-wiring accessories Page 1-94

Diagnostic tables Online

Suitable safety controllers Page 5-2

Actuator and accessories ordered separately

Latching requires **RST16-1-R** actuator

Technical data

Safety inputs X1/X2:

Rated operating voltage U_e : 24 VDC
-15% / +10%
PELV (to IEC 60204-1)

Power consumption per unit: 5 mA

Safety outputs Y1/Y2:

p-type, short-circuit proof

Rated operating current I_{e1} : each max. 1 A

Leakage current I_l : < 0.5 mA

Utilization category:

DC-12, DC-13: U_e/I_e 24 VDC / 1 A / 55 °C

DC-12, DC-13: U_e/I_e 24 VDC / 0.5 A / 65 °C

DC-12, DC-13: U_e/I_e 24 VDC / 0.25 A / 75 °C

Voltage drop: $U_e < 1$ V

Diagnostic output: p-type, short-circuit proof

Rated operating current I_{e2} : max. 0.05 A

Utilization category: DC-12 U_e/I_e 24 VDC / 0.05 A

DC-13 U_e/I_e 24 VDC / 0.05 A

Voltage drop: $U_e < 2$ V

Serial Diagnostic short-circuit proof

operating current: 150 mA

wiring capacitance max. 50 nF

Classification:

Standards: EN ISO 13849-1, IEC 61508

PL: e

Category: 4

PFH value: $6.3 \times 10^{-11}/h$

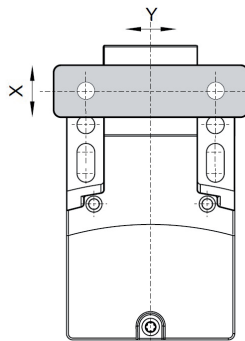
PFD value: 1.1×10^{-5}

SIL: suitable for SIL 3 applications

Service life: 20 years

Misalignment

Lateral actuation



The axial misalignment (Y) is max. ± 27 mm.
The height misalignment (X) is max. ± 9 mm.

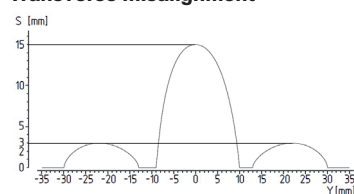
Latching versions $X \pm 2$ mm, $Y \pm 2$ mm.

The latching force is reduced by misalignment.

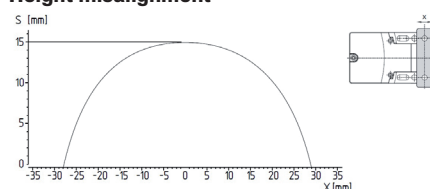
Actuating curves

The actuating curves (S) represent the typical switching distance of the safety sensor during the approach of the actuator subject to the actuating direction.

Transverse misalignment



Height misalignment



System components



Actuator RST 16-1



Actuator RST 16-1-R



Actuator RST-U-2



Tamperproof Screws

Note

Requirements for the safety controller

Dual-channel p-type safety input. The internal function tests of the sensors cause the outputs to cyclically switch off for max. 2 ms, this must be tolerated by the safety controller.

Detailed information about the use of the serial diagnostics can be found in the operating instructions of the PROFIBUS-Gateway SD-I-DPV0-2 and the Universal-Gateway SD-I-U-.... and in the instructions for the integration of the SD-Gateway.

Coding procedure

Ordering option -I1:

During the individual coding, an actuator is taught by a simple routine during the start-up procedure, so that every form of tampering by means of a replacement or substitute actuator is permanently excluded.

Ordering option -I2:

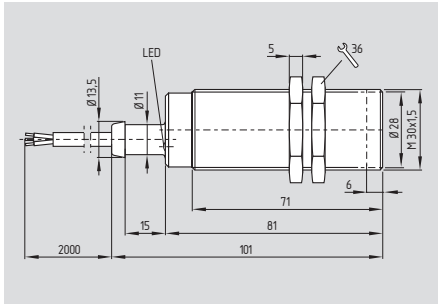
Teaching the individual coding of an actuator by a simple routine during the start-up procedure (as -I1). A protected coding process enables the teaching of a new actuator for service purposes. Previous actuators are overridden and will no longer be recognized. There is a 10 minute delay after teaching in a new actuator before the switch will function again.

Ordering details

Actuator (standard)	RST 16-1
Actuator for latching	RST 16-1-R
Actuator (compact)	RST-U-2
Tamperproof screws with unidirectional slots	
M5x12, 2 pieces	101135338
M5x16, 2 pieces	101135339
M5x20, 2 pieces	101135340

Electronic safety sensors

Sensor CSS 30



- Metal enclosure M30
- 2 short-circuit proof, p-type safety outputs (24 VDC per 500 mA)
- Self-monitored series-wiring of max. 16 sensors for PLe and category 4 to EN ISO 13849-1
- Max. length of the sensor chain 200 m
- Integral cross-wire, wire breakage and external voltage monitoring of the safety outputs

Approvals



under preparation

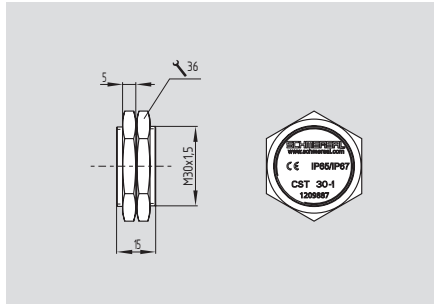


Ordering details

CSS 15-30-2P+D-M-L

Sensor and actuator must be ordered separately!

Actuator CST 30-1



- Thermoplastic enclosure

Approvals



Certification in combination with safety sensor under preparation

Ordering details

Actuator

CST 30-1

Technical data

Standards: IEC 60947-5-3; EN ISO 13849-1; IEC 61508

Enclosure: nickel-plated brass

Mode of operation: inductive

Actuator: CST 30-1, CST 34-S-3

Switching distances to IEC 60947-5-3:

Rates switching distance S_n :

- CST 30-1: 15 mm

- CST 34-S-3: 12 mm

Assured switch-on distance S_{ao} :

CST 30-1: 12 mm (S_{ao} min: 1 mm)

CST 34-S-3: 10 mm

Assured switch-off distance S_{ar} :

CST 30-1: 19 mm

CST 34-S-3: 16 mm

Hysteresis: max. 2.0 mm

Repeat accuracy R: < 1 mm

Switching frequency f: 3 Hz

Series-wiring: max. 16 components

Cable length: max. 200 m

(Cable length and cable section alter the voltage drop depending on the output current)

Cable: PVC / LIYY / 7 x 0.25 mm² / UL-Style 2464 / AWG 24 / 2 m

Ambient conditions:

Ambient temperature T_a :

- for output current

≤ 500 mA / output -25 °C ... +55 °C

≤ 200 mA / output -25 °C ... +65 °C

≤ 100 mA / output -25 °C ... +70 °C

Storage and transport

temperature: -25 °C ... +85 °C

Resistance to vibration:

10 ... 55 Hz, amplitude 1 mm

Resistance to shock:

30 g / 11 ms

Protection class:

IP65 / IP67

Electrical data:

Rated operating

voltage U_e : 24 VDC -15% / +10%

(stabilised PELV)

Rated operating current I_o : 1.1 A

Required rated short-circuit current: 100 A

Short-circuit protection: external fuse

- for output current ≤ 200 mA: 1.0 A

- for output current > 200 mA: 1.6 A

Note

The safety monitoring module must tolerate internal functional tests of the safety outputs for 250 μs ... 1500 μs.

The 250 μs switch-off time of the safety sensor additionally will be extended depending on the cable length and the capacity of the cable used. Typically, a switch-off time of 500 μs is reached with a 100 m connecting cable. The safety monitoring module does not need to have a cross-wire short monitoring function.

Electronic safety sensors

Technical data

U_i : 32 V
 U_{mp} : 800 V
 No-load current I_0 : 0.05 A
 Response time: < 30 ms
 Duration of risk: ≤ 30 ms
 Protection class: II
 Overvoltage category: III
 Degree of pollution: 3

Safety inputs X1/X2:
 Rated operating voltage U_e : 24 VDC
 -15% / +10%
 (PELV gem. IEC 60204-1)
 Rated operating current I_e : 1 A

Safety outputs Y1/Y2:
 NO function, 2-channel,
 p-type, short-circuit proof

Voltage drop: 0.5 V
 Rated operating voltage U_{e1} : min. $U_e - 0.5$ V
 Leakage current I_l : ≤ 0.5 mA
 Rated operating current I_e : max. 0.5 A ambient
 temperature-dependent
 Minimum operating current I_m : 0.5 mA
 Utilization category: DC-12 U_e/I_e 24 VDC/0.5 A
 DC-13 U_e/I_e 24 VDC/0.5 A

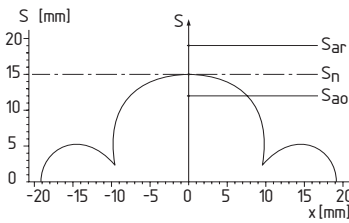
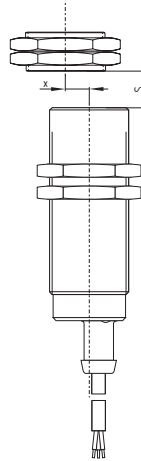
Diagnostic output: p-type,
 short-circuit proof
 U_{e2} : min. $U_e - 4$ V
 Rated operating current I_{e2} : max. 0.05 A
 Utilization category: DC-12 U_e/I_e 24 VDC/0.05 A
 DC-13 U_e/I_e 24 VDC/0.05 A

Classification:
 Standards: EN ISO 13849-1, IEC 61508
 PL: e
 Category: 4
 PFH value: $2.5 \times 10^{-9}/h$
 SIL: suitable for SIL 3 applications
 Mission time: 20 years

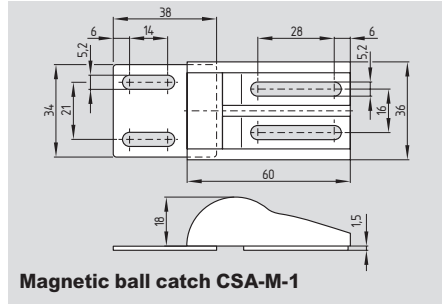
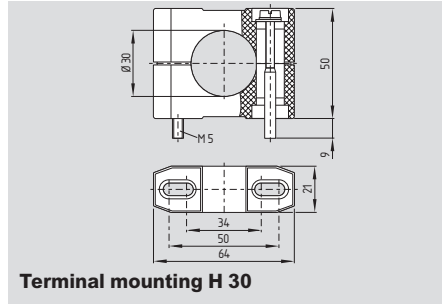
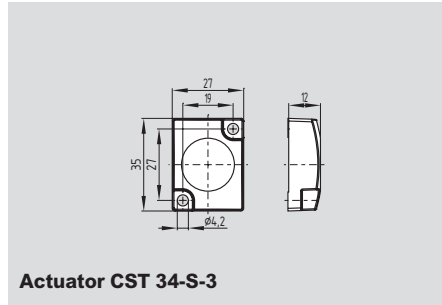
Misalignment

The actuating curves represent the switch-on and switch-off distances of the CSS 30 safety sensor by the approach of the CST 30-1 actuator.

In case of concealed mounting, the switching distance varies.



System components



Note

SD Gateway Page 1-92
 Series-wiring accessories Page 1-94
 Diagnostic tables Online
 Suitable safety controllers Page 5-2

Note

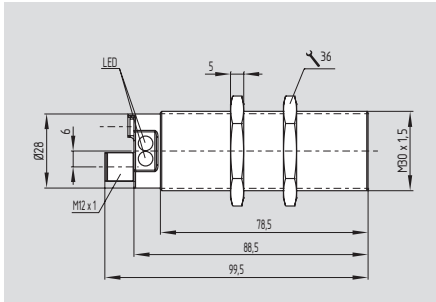
S Switching distance
 x Misalignment
 S_n Switching distance
 S_{ao} Assured switch-on distance
 S_{ar} Assured switch-off distance

Ordering details

Actuator CST34-S-3
 Terminal mounting H30
 Magnetic ball catch CSA-M-1

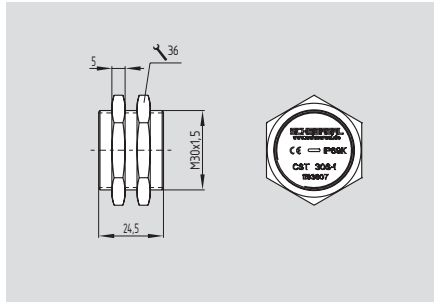
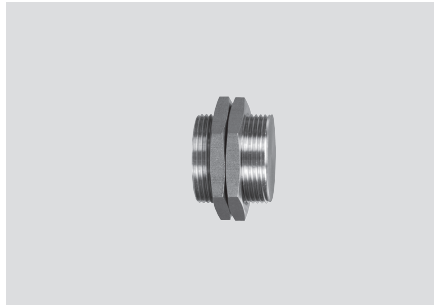
Electronic safety sensors

Sensor CSS 30S



- Stainless steel enclosure M30
- **suitable for concealed mounting behind stainless steel**
- 2 short-circuit proof, p-type safety outputs (24 VDC per 250 mA)
- Self-monitored series-wiring of max. 31 sensors
- Max. length of the sensor chain 200 m
- Integral cross-wire, wire breakage and external voltage monitoring of the safety outputs
- With integrated connector

Actuator CST 30S-1



- Stainless steel enclosure M30

Technical data

Standards: IEC 60947-5-3, EN ISO 13849-1, IEC 61508

Enclosure: stainless steel, 1.4404 to EN 10088

Mode of operation: inductive

Switching distances to IEC 60947-5-3:

Rates switching distance S_n : 11 mm
 Assured switch-on distance S_{ao} : 8 mm
 Assured switch-off distance S_{of} : 15 mm
 Hysteresis: < 2 mm
 Repeat accuracy: < 1 mm
 Switching frequency f: 3 Hz
 Design of electrical connection: M12, 8-pole
 Series-wiring: max. 31 components
 Fuse: external, 2 A
 Cable length: max. 200 m

Ambient conditions:

Ambient temperature T_a : -25 °C ... +65 °C
 Storage and transport temperature: -25 °C ... +85 °C
 Resistance to vibration: 10 ... 55 Hz, amplitude 1 mm
 Resistance to shock: 30 g / 11 ms
 Protection class: IP69K, to DIN 40050-9
 IP65, IP67, IP68 to EN 60529

Electrical data:

Rated operating voltage U_e : 24 VDC
 -15% / +10%
 (stabilised PELV)
 Rated operating current I_e : 0.6 A
 No-load current I_0 : max. 0.1 A;
 average 50 mA
 Protection class: II
 Overvoltage category: III
 Degree of pollution: 3
 U_{imp} : 0.8 kV
 U_i : 32 V
 Response time: < 60 ms
 Duration of risk: < 60 ms
Safety inputs X1/X2:
 Rated operating voltage U_e : 24 VDC
 -15% / +10%
 PELV gem. IEC 60204-1
 Rated operating current I_e : 1 A

Approvals



Ordering details

CSS 11-30S-①-M-ST

No.	Option	Description
①	D	with diagnostic output
	SD	with serial diagnostic function

Sensor and actuator must be ordered separately!

Approvals

Ordering details

Actuator

CST 30S-1

Note

Requirements for the safety controller

The safety monitoring module must tolerate internal functional tests of the safety outputs for 250 µs ... 1500 µs.

The 250 µs switch-off time of the safety sensor additionally will be extended depending on the cable length and the capacity of the cable used. Typically, a switch-off time of 500 µs is reached with a 100 m connecting cable. The safety monitoring module does not need to have a cross-wire short monitoring function.

Electronic safety sensors

Technical data

Safety outputs Y1/Y2:
 NO function, 2-channel,
 p-type, short-circuit proof
 Rated operating voltage U_{e1} : 24 VDC
 -15% / +10%
 Voltage drop: < 1 V
 Leakage current I_l : < 0.5 mA
 Rated operating current I_{e1} : max. 0.25 A
 Minimum operating current I_m : 0.5 mA
 Utilization category: DC-12, DC-13
 U_{e1}/I_{e1} : 24 VDC / 0.25 A
 Required rated short-circuit current: 100 A

Diagnostic output: p-type, short-circuit proof
 Rated operating voltage U_{e2} : 24 VDC
 -15% / +10%
 Voltage drop: < 5 V
 Rated operating current I_{e2} : max. 0.05 A
 Utilization category: DC-12, DC-13
 U_{e2}/I_{e2} : 24 VDC / 0.05 A

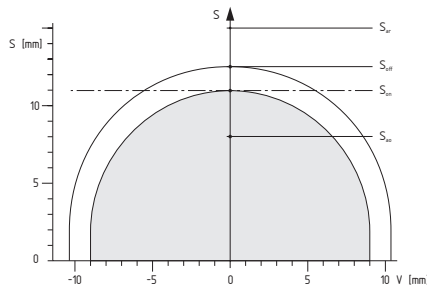
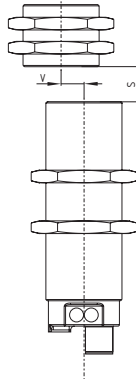
Serial diagnostic:
 Operating current: 150 mA short-circuit proof
 Wiring capacitance for serial diagnostic: max. 50 nF

Classification:
 Standards: EN ISO 13849-1, IEC 61508
 PL: e
 Category: 4
 PFH value: $3.6 \times 10^{-9}/h$
 SIL: suitable for SIL 3 applications
 Mission time: 20 years

Misalignment

The actuating curves represent the switch-on and switch-off distances of the safety sensor by the approach of the CST 30S-1 actuator.

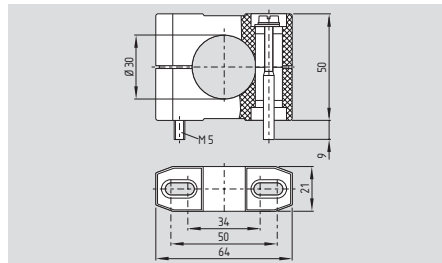
When the safety sensor is fitted under non-magnetic stainless steel (V4A) or in case of concealed mounting, the switching distance varies.



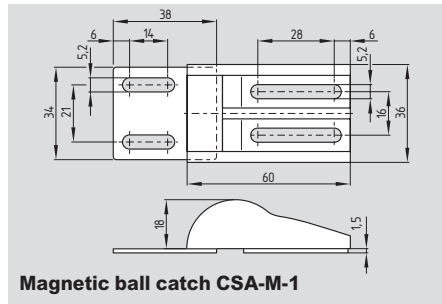
Legend

- S Switching distance
- V Misalignment
- S_{on} Switch-on distance
- S_{off} Switch-off distance ($S_{on} < S_n < S_{off}$)
- S_n Hysteresis area
- S_{ao} Assured switch-on distance
- S_{ar} Assured switch-off distance

System components



Terminal mounting H 30



Magnetic ball catch CSA-M-1

Note

Additional Accessories:
 SD Gateway Page 1-92
 Series-wiring accessories Page 1-94
 Diagnostic tables Online
 Suitable safety controllers Page 5-2

Note

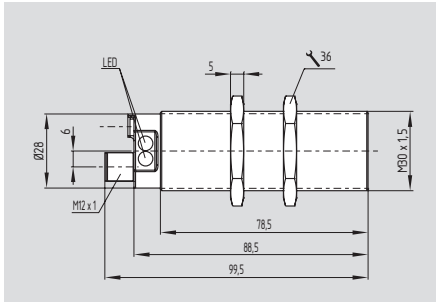
Detailed information about the use of the serial diagnostics can be found in the operating instructions of the PROFIBUS-Gateway SD-I-DPV0-2 and the Universal-Gateway SD-I-U-.... and in the instructions for the integration of the SD-Gateway.

Ordering details

Terminal mounting	H 30
Magnetic ball catch	CSA-M-1
Connection cables:	
M12, 8-pole (IP67)	
Cable length 2.5 m	103011411
Cable length 5 m	103011412
Cable length 10 m	103011413
M12, 8-pole (IP69K)	
Cable length 5 m	101210560
Cable length 5 m (angled)	101210561
Cable length 10 m	103001389

Electronic safety sensors

Sensor CSS 300



- Thermoplastic enclosure
- Ø M30
- **suitable for concealed mounting behind stainless steel**
- 2 short-circuit proof, p-type safety outputs (24 VDC per 250 mA)
- Self-monitored series-wiring of max. 31 sensors
- Comfortable diagnose through sensor LED and diagnostic output
- Max. length of the sensor chain 200 m
- Integral cross-wire, wire breakage and external voltage monitoring of the safety outputs
- With integrated connector

Approvals



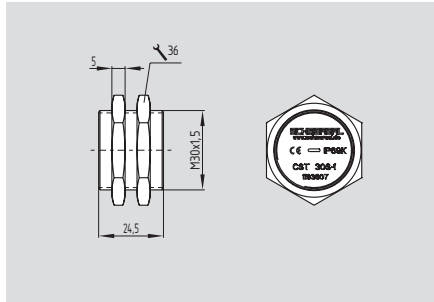
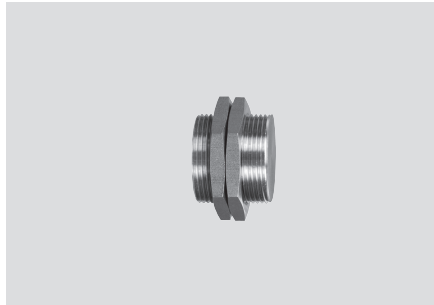
Ordering details

CSS 11-300-①-M-ST

No.	Option	Description
①	D	with diagnostic output
	SD	with serial diagnostic function

Sensor and actuator must be ordered separately!

Betätiger CST 30S-1



- Stainless steel enclosure
- Ø M30

Approvals

Certification in combination with safety sensor



Ordering details

Actuator

CST 30S-1

Technical data

Standards: IEC 60947-5-3, EN ISO 13849-1, IEC 61508

Enclosure: thermoplastic
Mode of operation: inductive

Switching distances to IEC 60947-5-3:

Rates switching distance S_n : 11 mm
Assured switch-on point S_{so} : 8 mm
Assured switch-off point S_{sr} : 15 mm
Hysteresis: < 2 mm
Repeat accuracy: < 1 mm
Switching frequency f: 3 Hz
Integrated connector: M12, 8-pole
Series-wiring: max. 31 components
Fuse: external, 2 A
Cable length: max. 200 m

Ambient conditions:

Ambient temperature T_U : -25 °C ... +60 °C
Storage and transport temperature: -25 °C ... +85 °C
Resistance to vibration: 10...55 Hz, amplitude 1 mm

Resistance to shock: 30 g / 11 ms
Protection class: IP65, IP67 to EN 60529

Electrical data:

Rated operating voltage U_e : 24 VDC -15% / +10% (stabilised PELV)

Rated operating current I_e : 0.6 A
No-load current I_0 : max. 0.1 A; average 50 mA

Protection class: II
Overvoltage category: III
Degree of pollution: 3

Rated impulse withstand voltage U_{imp} : 0.8 kV
Rated insulation voltage U_i : 32 V
Response time: < 60 ms
Duration of risk: < 60 ms

Safety inputs X1/X2:

Rated operating voltage U_e : 24 VDC -15% / +10%
PELV gem. IEC 60204-1
Rated operating current I_e : 1 A

Note

Requirements for the safety controller

The safety monitoring module must tolerate internal functional tests of the safety outputs for 250 µs – 1500 µs.

The 250 µs switch-off time of the safety sensor additionally will be extended depending on the cable length and the capacity of the cable used. Typically, a switch-off time of 500 µs is reached with a 100 m connecting cable. The safety monitoring module does not need to have a cross-wire short monitoring function

Electronic safety sensors

Technical data

Safety outputs Y1/Y2:
 NO function, 2-channel,
 p-type, short-circuit proof
 Rated operating voltage U_{e1} : 24 VDC
 Voltage drop: -15% / +10% < 1 V
 Leakage current I_l : < 0.5 mA
 Rated operating current I_{e1} : max. 0.25 A
 Minimum operating current I_m : 0.5 mA
 Utilization category: DC-12, DC-13
 U_{e1}/I_{e1} : 24 VDC / 0.25 A
 Required rated short-circuit current: 100 A

Diagnostic output:
 p-type,
 short-circuit proof
 Rated operating voltage U_{e2} : 24 VDC
 Voltage drop: -15% / +10% < 5 V
 Rated operating current I_{e2} : max. 0.05 A
 Utilization category: DC-12, DC-13
 U_{e2}/I_{e2} : 24 VDC / 0.05 A

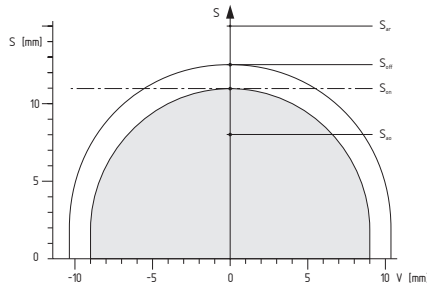
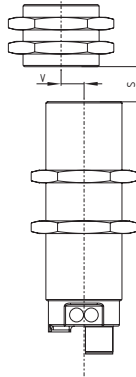
Serial diagnostic:
 Operating current: 150 mA short-circuit proof
 Wiring capacitance for serial diagnostic: max. 50 nF

Classification:
 Standards: EN ISO 13849-1, IEC 61508
 PL: e
 Category: 4
 PFH value: $3,6 \times 10^{-9}$ /h
 SIL: suitable for SIL 3 applications
 Mission time: 20 years

Misalignment

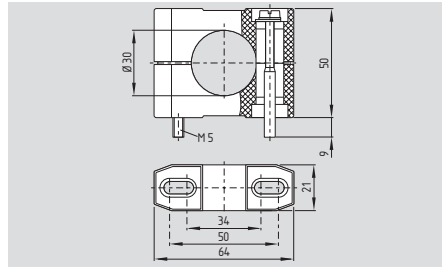
The actuating curves represent the switch-on and switch-off distances of the safety sensor by the approach of the CST 30S-1 actuator.

If the safety sensor is mounted behind non-ferromagnetic stainless steel (V4A) either flush-mounted, the switching distance is reduced.

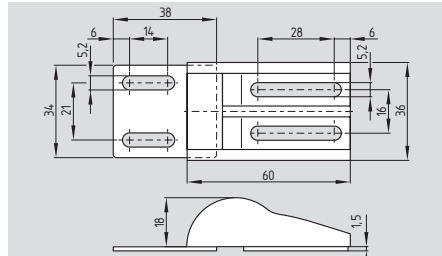


- Legend**
- S Switching distance
 - V Misalignment
 - S_{on} Switch-on distance
 - S_{off} Switch-off distance
 - S_h Hysteresis area $s_h = s_{on} - s_{off}$
 - S_{ao} Assured switch-on distance
 - S_{ar} Assured switch-off distance

System components



Terminal mounting H 30



Magnetic ball catch CSA-M-1

Note

Additional Accessories:
 SD Gateway Page 1-92
 Series-wiring accessories Page 1-94
 Diagnostic tables Online
 Suitable safety monitoring modules Page 5-2

Note

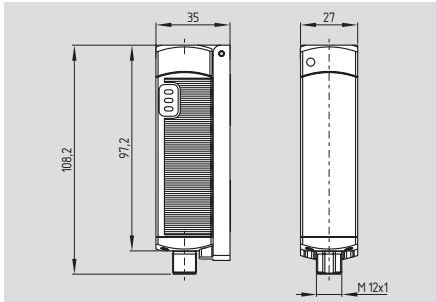
Detailed information about the use of the serial diagnostics can be found in the operating instructions of the PROFIBUS-Gateway SD-I-DPV0-2 and the Universal-Gateway SD-I-U-.... and in the instructions for the integration of the SD-Gateway.

Ordering details

Terminal mounting	H 30
Magnetic ball catch	CSA-M-1
Connection cables:	
M12, 8-pole (IP67)	
Cable length 2.5 m	103011411
Cable length 5 m	103011412
Cable length 10 m	103011413
M12, 8-pole (IP69K)	
Cable length 5 m	101210560
Cable length 5 m (angled)	101210561
Cable length 10 m	103001389

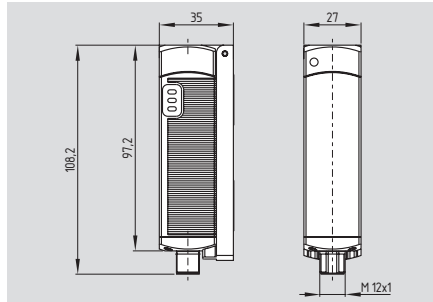
Electronic safety sensors

Sensor CSS 34



- Thermoplastic enclosure
- 2 short-circuit proof, p-type safety outputs (24 VDC per 250 mA)
- Self-monitored series-wiring of max. 31 sensors
- Max. length of the sensor chain 200 m
- Integral cross-wire, wire breakage and external voltage monitoring of the safety cables up to the control cabinet
- Sensor with connecting cable or with integrated connector

Sensor CSS 34F0/F1



- Additional functions of the CSS 34F0/F1:**
- To control positive-guided relays without downstream safety controller
 - Suitable as individual or end device in series-wired chains of standard sensors to replace the safety controller
 - Self-monitored series-wiring of up to 30 CSS 34 sensors and one CSS 34F. sensor
 - CSS 34F. sensor with integrated connector
 - **CSS 34F0:** without edge monitoring of the enabling button, suitable for automatic start
 - **CSS 34F1:** with edge monitoring of the reset button

Technical data

Standards: IEC 60947-5-3, EN ISO 13849-1; IEC 61508

Enclosure: glass fiber reinforced thermoplastic inductive

Mode of operation: inductive

Actuator and switching distances (IEC 60947-5-3): refer to table „Actuator / switching distances“

Series-wiring: max. 31 components

Cable length: max. 200 m

Hysteresis: max. 1.5 mm

Repeat accuracy: < 0.5 mm

Switching frequency f: 3 Hz

Cable: Y-UL 2517 / 8 x AWG 22 8 x 0.35 mm², 2 m long

Temperature resistance of the cable:

- At rest: -30 °C ... +105 °C
- In movement: -10 °C ... +105 °C

Integrated connector: M12, 8-pole in the enclosure

Ambient conditions:

Ambient temperature T_a: for output current

- ≤ 0.1 A/output: -25 °C ... +70 °C
- ≤ 0.25 A/output: -25 °C ... +65 °C

Storage and transport temperature: -25 °C ... +85 °C

Resistance to vibration: 10 ... 55 Hz, amplitude 1 mm

Resistance to shock: 30 g / 11 ms

Protection class: IP65, IP67 to EN 60529

Electrical data:

Rated operating voltage U_e: 24 VDC -15% / +10% (stabilised PELV)

Rated operating current I_e: 0.6 A

Required rated short-circuit current: 100 A

Fuse (circuit breaker): for cables

- Up to 45°C: 4.0 A
- Up to 60°C: 3.15 A
- At 65°C: 2.5 A
- At 70°C: 2.0 A

For connectors: 2.0 A

The cable section of the interconnecting cable must be observed for both wiring variants!

Approvals



Approvals



Ordering details

CSS ①-34-②-③-M-④

No.	Option	Description
①	12	Head actuation
	14	Sideways actuation
②	S	Lateral actuating surface
	V	Frontal actuating surface
③	D	With diagnostic output
	SD	With serial diagnostic function
④	L	With connecting cable
	ST	With integrated connector

Ordering details

CSS ①-34②-③-D-M-ST

No.	Option	Description
①	12	Head actuation
	14	Sideways actuation
②	F0	Standard version
	F1	Input for enabling button, suitable for automatic start
③	F1	Input for reset button, with edge monitoring
	S	Lateral actuating surface
	V	Frontal actuating surface

Note

Requirements for the safety controller

Dual-channel safety input, suitable for p-type sensors with normally-open (NO) function. The internal function tests of the sensors cause the outputs to cyclically switch off for max. 0.5 ms, this must be tolerated by the safety controller. The safety controller must not be equipped with cross-wire detection.

Sensor and actuator must be ordered separately!

Electronic safety sensors

Technical data

U_i : 32 V
 U_{imp} : 800 V
 I_0 : 0.1 A
 Response time: < 30 ms
 Duration of risk: < 60 ms
 Protection class: II
 Overvoltage category: III
 Degree of pollution: 3

Safety inputs X1/X2:
 Rated operating voltage U_e : 24 VDC
 -15% / +10%
 PELV gem. IEC 60204-1
 Rated operating current I_e : 1 A

Safety outputs Y1/Y2:
 NO function, 2-channel,
 p-type, short-circuit proof

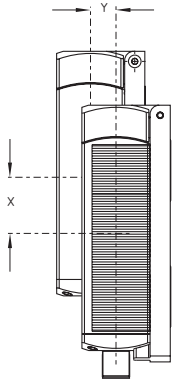
Voltage drop: < 1 V
 Rated operating voltage U_{e1} : min. ($U_e - 1$ V)
 Leakage current I_r : < 0.5 mA
 Rated operating current I_{e1} : max. 0.25 A,
 ambient temperature-dependent
 Minimum operating current I_m : 0.5 mA
 Utilization category: DC-12, DC-13
 U_{e1}/I_{e1} : 24 VDC / 0.25A

Diagnostic output:
 p-type,
 short-circuit proof
 Voltage drop: < 5 V
 Rated operating voltage U_{e2} : min. ($U_e - 5$ V)
 Rated operating current I_{e2} : max. 0.05 A
 Utilization category: DC-12, DC-13
 U_{e2}/I_{e2} : 24 VDC / 0.05A
 Wiring capacitance for
 serial diagnostic: max. 50 nF

Classification:
 Standards: EN ISO 13849-1, IEC 61508
 PL: e
 Category: 4
 PFH value: $1,3 \times 10^{-10}$ /h
 SIL: suitable for SIL 3 applications
 Mission time: 20 years

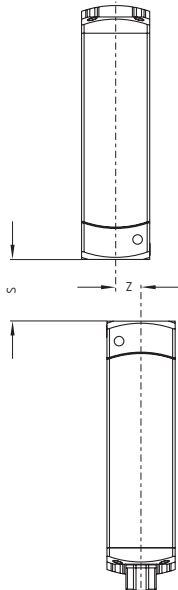
Misalignment

Sideways actuation



The long side allows for a max. height misalignment (X) of sensor and actuator of 36 mm (e.g. mounting tolerance or due to guard door sagging).
 Increased misalignment, max. 53 mm, possible when the CST 34-S-2 actuator is used. The axial misalignment (Y) is max. ± 10 mm.

Head actuation



The front side allows for a maximum transverse misalignment (Z) of approx. 8 mm.

Note

Additional Accessories:
 Actuator Page 1-86
 SD Gateway Page 1-92
 Series-wiring accessories Page 1-94
 Diagnostic tables Online
 Suitable safety controllers Page 5-2

Note

Detailed information about the use of the serial diagnostics can be found in the operating instructions of the PROFIBUS-Gateway SD-I-DPV0-2 and the Universal-Gateway SD-I-U-.... and in the instructions for the integration of the SD-Gateway.

Connections

Connection cables:
 M12, 8-pole (IP67)
 Cable length 2.5 m **103011411**
 Cable length 5 m **103011412**
 Cable length 10 m **103011413**

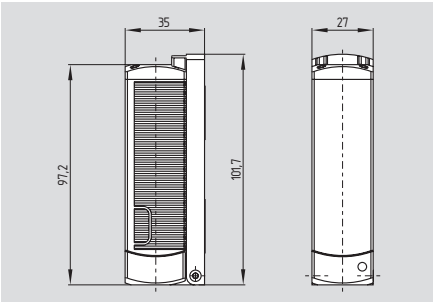
 M12, 8-pole (IP69K)
 Cable length 5 m **101210560**
 Cable length 5 m (angled) **101210561**
 Cable length 10 m **103001389**

Electronic safety sensors

Actuator



Actuator CST-34-.-1 and CST-34-S-2*

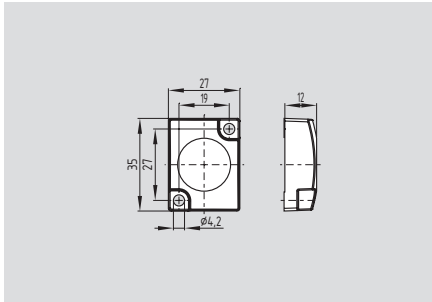


- Sensor CSS 34 and actuator are isometric
- Head and sideways actuation of the sensor possible

Actuator

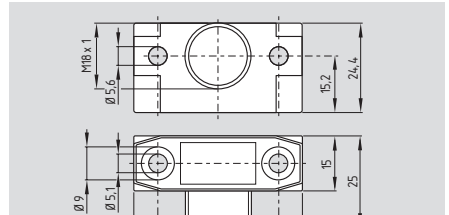


Actuator CST-34-S-3*

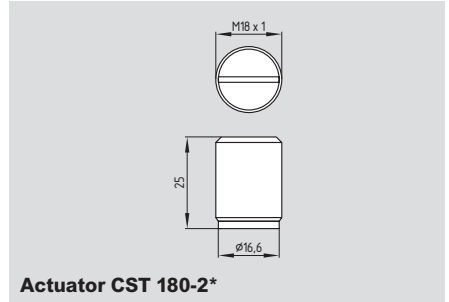


- Small design
- Head and sideways actuation of the sensor possible

Actuator



Actuator CST 180-1*



Actuator CST 180-2*

- Actuators are isometric, but CST 180-1 incl. H18 clamp
- Head and sideways actuation of the sensor possible

Approvals



Ordering details

CST 34-①-1

No.	Option	Description
①	V	Head actuating surface
	S	Sideways actuating surface

Actuator with double solenoid, for increased misalignment, lateral actuating surface

CST 34-S-2*

Sensor and actuator must be ordered separately!

Approvals



Ordering details

Small actuator (enables head and sideways actuation of the sensor)

CST-34-S-3*

Approvals



Ordering details

Also suitable: Actuator CSS 180 with terminal mounting without terminal mounting



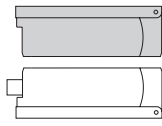
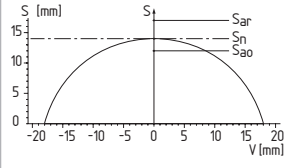

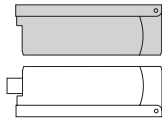
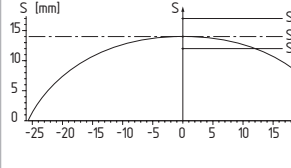

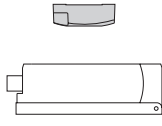
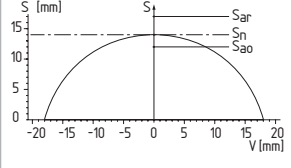

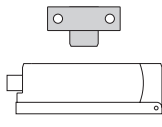
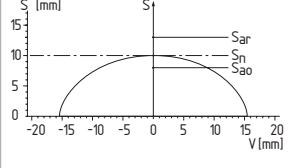

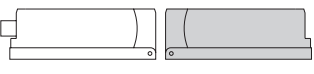
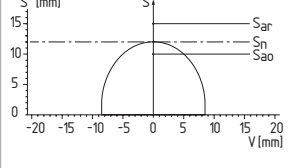
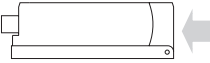

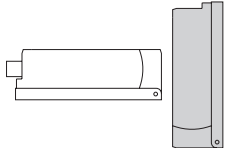
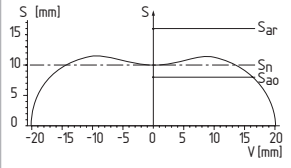

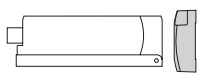
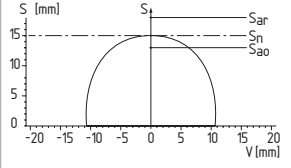

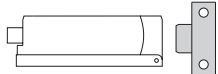
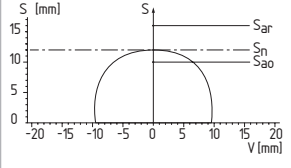
CST 180-1*

CST 180-2*

* Certification in combination with safety sensor under preparation

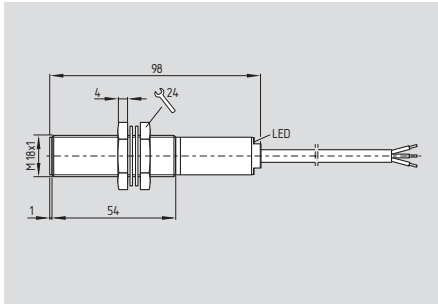
Electronic safety sensors

Selection table: Actuator

Safety sensor	Actuator	Actuation	Switching distances to IEC 60947-5-3
<p>Sideways actuation</p>  <p>CSS 14-34-S ...</p>	CST 34-S-1 		S_n 14 mm S_{ao} 12 mm S_{ar} 17 mm 
	CST 34-S-2 		S_n 14 mm S_{ao} 12 mm S_{ar} 17 mm 
	CST 34-S-3 		S_n 14 mm S_{ao} 12 mm S_{ar} 17 mm 
	CST 180-1 / CST 180-2 		S_n 10 mm S_{ao} 8 mm S_{ar} 13 mm 
	CST 34-V-1 		S_n 12 mm S_{ao} 10 mm S_{ar} 15 mm 
<p>Head actuation</p>  <p>CSS 12-34-V ...</p>	CST 34-S-2 		S_n 10 mm S_{ao} 8 mm S_{ar} 16 mm 
	CST 34-S-3 		S_n 15 mm S_{ao} 13 mm S_{ar} 18 mm 
	CST 180-1 / CST 180-2 		S_n 12 mm S_{ao} 10 mm S_{ar} 16 mm 

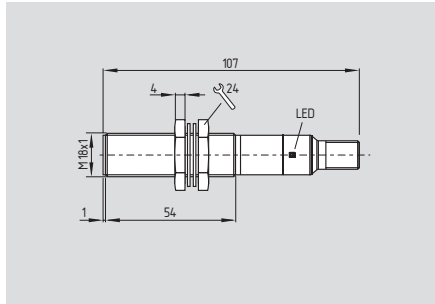
Electronic safety sensors

CSS 180



- **Connecting cable or connecting cable and connector**
- Thermoplastic enclosure
- Electronic, non-contact, coded system
- Large switching distance
- Misaligned actuation possible
- High repeat accuracy of the switching points
- Self-monitored series-wiring of max. 16 sensors
- Max. length of the sensor chain 200 m
- Comfortable diagnose through sensor LED and diagnostic output
- Early warning when operating near the limit of the sensor's hysteresis range
- 2 short-circuit proof, p-type safety outputs (24 VDC per 500 mA)
- EX version available

CSS 180 ST



- **Integrated connector**
- Multifunction device
- Available: **CSS 8-180-2P+D-M-ST**

Technical data

Standards: IEC 60947-5-3, EN ISO 13849-1, IEC 61508
 Enclosure: glass fiber reinforced thermoplastic
 Mode of operation: inductive
 Actuator: CST 180-1, CST 180-2
 Series-wiring: max. 16 components
 Connection: cable or cable with connector M12 or integrated connector M12
 Cable section: according to execution:
 4 x 0.5 mm², 5 x 0.34 mm², 7 x 0.25 mm²

Switching distances to IEC 60947-5-3:
 Rates switching distance S_n : 8 mm
 Assured switch-on distance S_{ao} : 7 mm
 Assured switch-off distance S_{ar} : 10 mm
 Hysteresis: ≤ 0.7 mm
 Repeat accuracy: ≤ 0.2 mm
 Cable length: max. 200 m
 (Cable length and cable section alter the voltage drop depending on the output current)

Ambient conditions:
 Ambient temperature T_u :
 - For max. output current
 ≤ 500 mA /output -25 °C ... +55 °C
 ≤ 200 mA /output -25 °C ... +65 °C
 ≤ 100 mA /output -25 °C ... +70 °C

Storage and transport temperature: -25 °C ... +85 °C
 Protection class: IP65, IP67 to EN 60529
 Resistance to vibration: 10...55 Hz, amplitude 1 mm
 Resistance to shock: 30 g / 11 ms
 Switching frequency f : 3 Hz
 Response time: < 30 ms
 Duration of risk: ≤ 30 ms

Electrical data:
 Rated operating voltage U_e : 24 VDC
 -15% / +10% (stabilised PELV)
 Rated operating current I_e : 1 A
 Minimum operating current I_m : 0.5 mA
 Required rated short-circuit current: 100 A
 Rated insulation voltage U_i : 32 V
 Rated impulse withstand voltage U_{imp} : 800 V
 No-load current I_0 : 0.05 A

Approvals

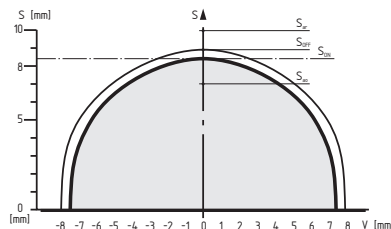


Ordering details

CSS 8-180-①-②-③

No.	Option	Description
①	2P	2 p-type safety outputs
	2P+D	2 p-type safety outputs and 1 p-type signal contact (diagnostic)
②	E	End or single device
	Y	Device for series-wiring
	M	Multifunction device
③	L	Connecting cable
	LST	Connecting cable with connector
	ST	Integrated connector

Note



Legend

- S_{on} Switch-on distance
- S_{off} Switch-off distance
- S_{ao} Assured switch-on distance
- S_{ar} Assured switch-off distance

Note

Sensor and actuator must be ordered separately!

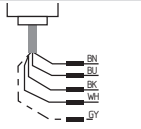
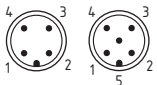
Electronic safety sensors

Technical data

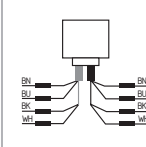

Leakage current I_l : ≤ 0.5 mA
 Protection class: II
 Overvoltage category: III
 Degree of pollution: 3
Safety inputs X1/X2:
 Rated operating voltage U_e : 24 VDC
 -15% / +10%
 PELV gem. IEC 60204-1
 Rated operating current I_e : 1 A
Safety outputs Y1/Y2: p-type, short-circuit proof
 Rated operating current I_{e1} : max. 0.5 A, ambient temperature-dependent
 Utilization category: DC-12 U_e/I_e 24 VDC/0.5 A
 DC-13 U_e/I_e 24 VDC/0.5 A
 Voltage drop: 0.5 V
Diagnostic output: p-type, short-circuit proof
 Rated operating voltage U_{e2} : min. $U_e - 4$ V
 Rated operating current I_{e2} : max. 0.05 A
 Utilization category: DC-12 U_e/I_e 24 VDC/0.05 A
 DC-13 U_e/I_e 24 VDC/0.05 A
 External short-circuit protection: fuse
 - for output current ≤ 200 mA: 1.0 A
 - for output current > 200 mA: 1.6 A
Classification:
 Standards: EN ISO 13849-1, IEC 61508
 PL: e
 Category: 4
 PFH value: $2,5 \times 10^{-9}$ / h
 SIL: suitable for SIL 3 applications
 Mission time: 20 years

Connection

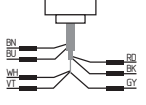
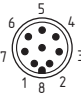
End or single device: CSS-8-180-2P+...-E-L...

Connecting cable (2 m): Cable section 4-pole: 4 x 0.5 mm ² 5-pole: 5 x 0.35 mm ²		Connecting cable (2 m) with connector male: M12, 4-pole M12, 5-pole	
Color of the connecting cable	Wiring	Pin configuration	
BN (brown)	A1 U_e	Pin 1	
BU (blue)	A2 GND	Pin 3	
BK (black)	Y1 Safety output 1	Pin 4	
WH (white)	Y2 Safety output 2	Pin 2	
GY (grey)	Only 5-pole version: diagnostic output (option)	Pin 5	

Series-wiring device: CSS-8-180-2P-Y-L...

Inputs (IN): (0.25 m) grey cable 4-pole, 4 x 0.5 mm ² Outputs (OUT): (2 m) black cable 4-pole, 4 x 0.5 mm ²		Inputs (IN): (0.25 m) Connecting cable with connector female M12, 4-pole Outputs (OUT): (2 m) Connecting cable with connector male M12, 4-pole	
Color of the connecting cable	Wiring grey cable (IN)	black cable (OUT)	Pin configuration
BN (brown)	A1 U_e	A1 U_e	Pin 1
BU (blue)	A2 GND	A2 GND	Pin 3
BK (black)	X1 Safety input 1	Y1 Safety output 1	Pin 4
WH (white)	X2 Safety input 2	Y2 Safety output 2	Pin 2

Multifunctional Device: CSS-8-180-2P+D-M-...

Connecting cable (2 m) Cable section 7-pole: 7 x 0.25 mm ²		Connecting cable (2 m) with connector male M12, 8-pole or integrated connector male M12, 8-pole	
Color of the connecting cable	Wiring	Pin configuration	
BN (brown)	A1 U_e	Pin 1	
BU (blue)	A2 GND	Pin 3	
VT (violet)	X1 Safety input 1	Pin 6	
WH (white)	X2 Safety input 2	Pin 2	
BK (black)	Y1 Safety output 1	Pin 4	
RD (red)	Y2 Safety output 2	Pin 7	
GY (grey)	Diagnostic output	Pin 5	
-	Spare	Pin 8	

Ordering details

Requirements for the safety controller

Dual-channel p-type safety input. The internal function tests of the sensors cause the outputs to cyclically switch off for max. 2 ms, this must be tolerated by the safety controller.

Additional Accessories:

Series-wiring accessories Page 1-94
 Diagnostic tables Online
 Suitable safety controllers Page 5-2
 Connector cable for ST version Page 1-91

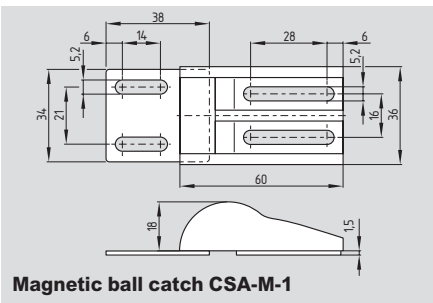
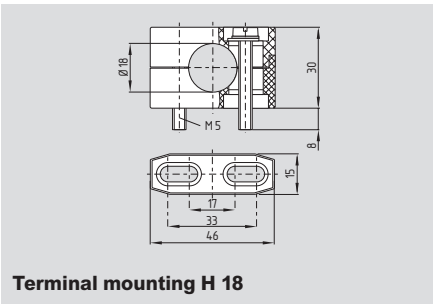
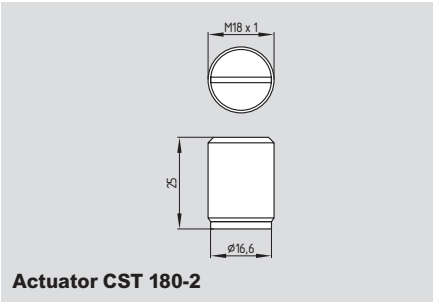
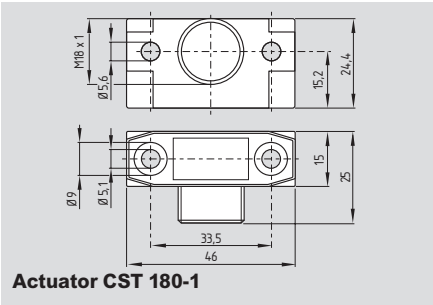
Note

- Series-wiring of sensors:
A chain of 16 self-monitored CSS 180 safety sensors can be wired in series without loss of PL e and category 4 to EN ISO 13849-1. In this configuration, the redundant output of the first sensor is wired into the input of the next sensor.
- The voltage drop over a long sensor chain should be taken into account when planning cable routing. It depends on several factors, which are operating voltage, cable length and section, ambient temperature, number of series-wired sensors and the input load of the safety controller.



Electronic safety sensors

System components



Ordering details

Actuator	CST 180-1
Actuator	CST 180-2
Terminal mounting	H 18
Magnetic ball catch	CSA-M-1

Sensor and actuator must be ordered separately!

Electronic safety sensors

Connectors M12, 8-pole for CSS 34, CSS 30S, CSS 300, RSS 36, RSS16

Ordering details

Connecting cables with female connector

IP67, M12, 8-pole - 8 x 0.23 mm

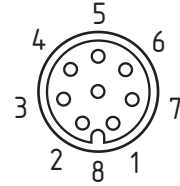
Cable length 2.5 m	103011411
Cable length 5 m	103011412
Cable length 10 m	103011413

IP69K, M12, 8-pole - 8 x 0.21 mm

Cable length 5 m	101210560
Cable length 5 m, angled	101210561
Cable length 10 m	103001389

Function of the safety switchgear

	Function of the safety switchgear		Pin configuration of the integrated connector
	with conventional diagnostic output	with serial diagnostics	
A1	U _e		1
X1	Safety input 1		2
A2	GND		3
Y1	Safety output 1		4
OUT	Diagnostic output	SD output	5
X2	Safety input 2		6
Y2	Safety output 2		7
IN	CSP 34F2: On-site acknowledgment; others: without function	SD input	8



Connectors M12, 8-pole for CSS 30, CSS 180

Ordering details

Connecting cables with female connector

IP67, M12, 8-pole - 8 x 0.23 mm

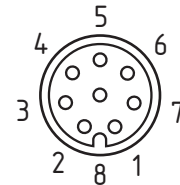
Cable length 2.5 m	103011411
Cable length 5 m	103011412
Cable length 10 m	103011413

IP69K, M12, 8-pole - 8 x 0.21 mm

Cable length 5 m	101210560
Cable length 5 m, angled	101210561
Cable length 10 m	103001389

Function of the safety switchgear

	Function of the safety switchgear		Pin configuration of the integrated connector
	with conventional diagnostic output	with serial diagnostics	
A1	U _e		1
X1	Safety input 1		2
A2	GND		3
Y1	Safety output 1		4
OUT	Diagnostic output		5
X2	Safety input 2		6
Y2	Safety output 2		7
IN	without function		8



Electronic safety sensor accessories

SD-I-DP-V0-2

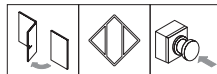


- **PROFIBUS-Gateway** for the series-wiring of the diagnostic signals of safety switchgear with integrated SD interface. The status and diagnostic information of the SD devices is transmitted to the control system through the PROFIBUS DP-V0 interface.
- Diagnostic lines of max. 31 safety switching components can be wired in series
- Series-wiring of different components enabled (CSS 34, RSS 36, AZM 200, MZM 100 etc.)
- Reduced wiring expenditure through the series-wiring of the safety channels and the diagnostic lines in the field
- Automatic addressing of the safety switching components in the SD interface
- IP10 component for quick-fix mounting onto standard DIN rails in the control cabinet

Technical data

PROFIBUS interface:	9-pole D-SUB connector standard PROFIBUS connection (DP-A, DP-B, 5V, GND)
Protocol:	PROFIBUS-DP -V0 upwards compatible
Transmission rate:	9.6 kilo baud ... 12 mega baud
GSD file:	KAS_0b13.GSD
Short-circuit protection:	internal fuse to EN 60127 PolySwitch 0.5 A / 60 V
LED indications:	refer to table below
DIP-switch 8-pole:	S1 ... S7: addressing as PROFIBUS slave; S8: automatic addressing of the serial participants
Rated operating voltage U_e :	24 VDC, -15 % / +20 %
Rated operating current I_e :	typically 180 mA, max. 250 mA
Rated insulation voltage U_i :	32 V
Rated impulse withstand voltage U :	0.5 kV
Overvoltage category:	II
Degree of pollution:	2
Storage temperature range:	-25 °C ... +85 °C, non-condensing
Operating temperature range:	-5 °C ... +55 °C, non-condensing
Relative humidity:	5% - 95%, non-condensing
Protection class:	IP10
Resistance to vibration:	5 ... 9 Hz / 3.5 mm (to IEC 60068-2-6) 9 ... 150 Hz / 1 g
Resistance to shock:	15 g / 11 ms (to IEC 60068-2-27)
EMC rating:	to EN 61000-4-2 (ESD): 4 kV / 8 kV to EN 61000-4-3: 10 V/m / 80% AM to EN 61000-4-4 (burst): 2 kV DC supply / 1 kV PROFIBUS & SD-Interface to EN 61000-4-5 (surge): 500 V DC supply / 1 kV PROFIBUS & SD-Interface to EN 61000-4-6: 10 V / 80 % AM
EMC interfering radiation:	to EN 61000-6-4 (2002)
Industrial interfering radiation:	37 dBIV/m
Electrical connection:	- SD: connection for max. 31 devices in the serial diagnostic - 24 V: + 24 VDC voltage supply - 0 V: GND of the voltage supply and GND of the diagnostic cable and 24 VDC supply, approx. 300 mA, PELV power supply

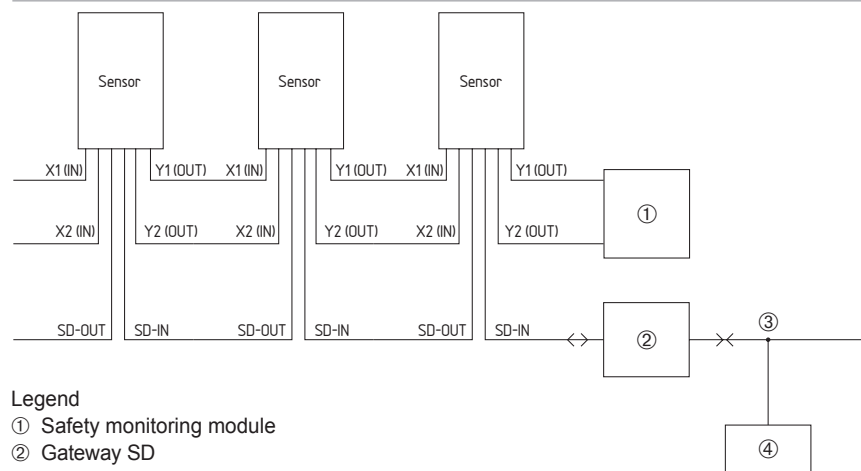
Approvals



Ordering details

SD-I-DP-V0-2

Wiring diagram



Legend

- ① Safety monitoring module
- ② Gateway SD
- ③ PROFIBUS DP
- ④ PLC with PROFIBUS DP interface

Electronic safety sensor accessories

SD-I-U- ...



- **UNIVERSAL-Gateway** for the series-wiring of the diagnostic signals from safety switching components with integrated SD interface. Comprehensive status and diagnostic data from the SD components are transmitted to the control system through the field bus interface.
- Diagnostic lines of max. 31 safety switching components can be wired in series
- Series-wiring of different components enabled (CSS 34, RSS 36, AZM 200, MZM 100 etc.)
- Reduced wiring expenditure through the series-wiring of the safety channels and the diagnostic lines in the field
- Automatic addressing of the safety switching components in the SD interface
- IP20 component for quick-fix mounting onto standard DIN rails in the control cabinet

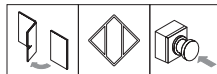
Available FIELD BUS interfaces:

- PROFINET IO
- EtherNet IP
- DeviceNet
- CC-Link
- CANopen
- Modbus/TCP
- EtherCAT

Technical data

Operating voltage:	24 VDC -15 %/+20 % (stabilised PELV)
Fuse rating:	external fuse 1 A slow-blow
Operating current at 24 VDC:	max. 500 mA, internally protected
Operating temperature range:	0 ... 55 °C, in case of vertical positioning
Storage temperature range:	-25 °C ... +70 °C
Climatic stress:	relative humidity 30 % ... 85 %, non-condensing
Protection class:	IP20
Mounting location:	earthed lockable control cabinet with at least IP54 protection class
Resistance to vibrations:	if fitted between two lateral clamping blocks on the rail
to IEC 60068-2-6	10 ... 57 Hz / 0.35 mm and 57 ... 150 Hz / 5 g
Resistance to shock	
to IEC 60068-2-29:	10 g
EMC rating:	
to EN 61000-4-2 (ESD)	±6 kV contact discharge / ±8 kV Air discharge
to EN 61000-4-3 (HF field)	10 V/m / 80 % AM
to EN 61000-4-4 (Burst)	±1 kV all connections
to EN 61000-4-5 (Surge)	±1 kV all connections
to EN 61000-4-6 (HF cables)	10 V all connections
EMC interfering radiation:	
to EN 61000-6-4 (2002)	industrial interfering radiation
Rated insulation voltage U_i :	32 V
Rated impulse withstand voltage U_{imp} :	0.5 kV
Overtoltage category:	II
Degree of pollution:	2
Dimensions (W x H x D):	50 x 100 x 80 mm (= mounting height starting from rail)

Approvals

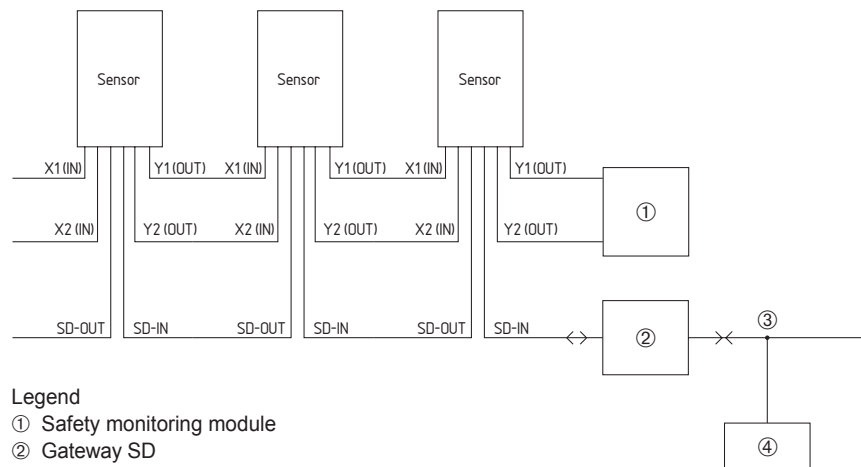


Ordering details

SD-I-U-①

No.	Option	Description
①	PN	PROFINET IO
	EIP	EtherNet IP
	DN	DeviceNet
	CCL	CC-Link
	CAN	CANopen
	MT	Modbus/TCP
	EC	EtherCAT

Wiring diagram

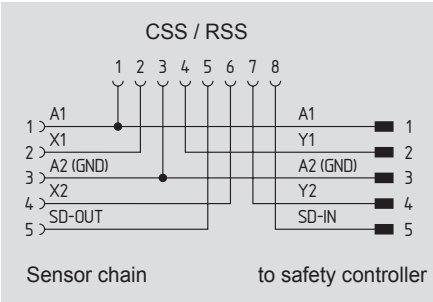
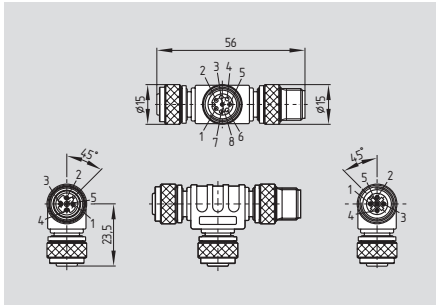


Legend

- ① Safety monitoring module
- ② Gateway SD
- ③ Fieldbus
- ④ PLC with fieldbus interface

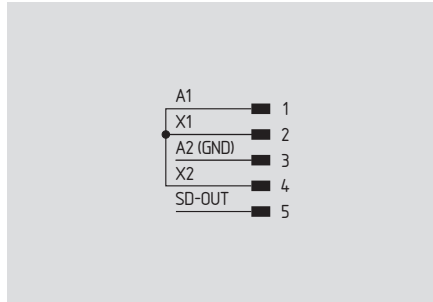
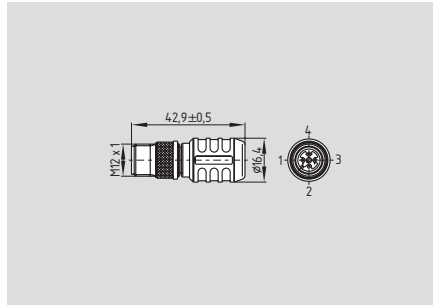
Electronic safety sensor accessories

T-adapter CSS-T



- Enables the series-wiring of safety sensors. To this end, both the safety channels and the serial diagnostic cable are wired in series.
- For the wiring, M12 cable extensions can be used. The voltage drop (due to the cable length, cable section, voltage drop per sensor) should be taken into account, as it reduces the maximum number of safety sensors that can be wired in series.

Terminal connector



- Supplies the safety channels with operating voltage

Technical data

Rated operating voltage of the SD devices to be connected: **24 V (-15%/+10%)**

Rated operating current of the SD devices to be connected: **0.6 A**

Fuse of the connecting cables (circuit breaker): **2 A**

Ambient temperature T_{a} : **-25 °C ... +70 °C**

Approvals



Ordering details

T-adapter

CSS-T

Approvals

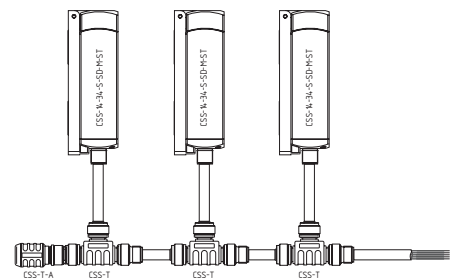


Ordering details

Terminal connector

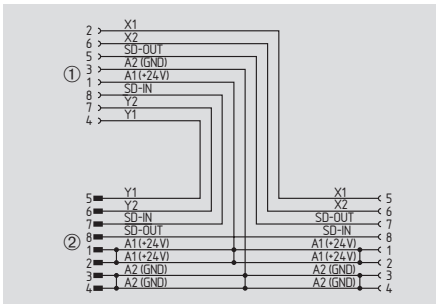
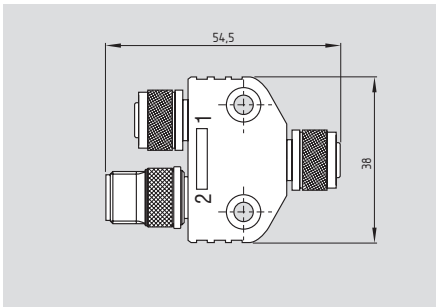
CSS-T-A

Wiring diagram



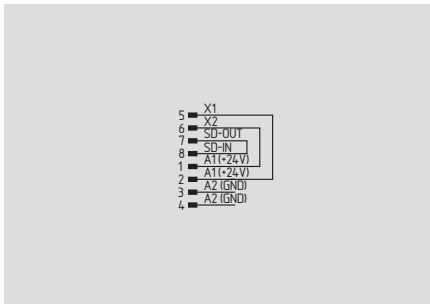
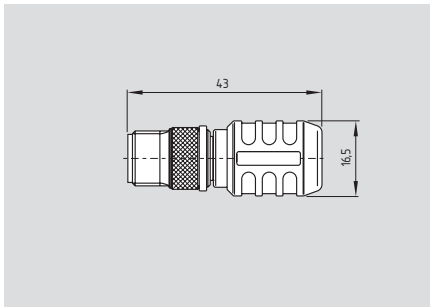
Electronic safety sensor accessories

Y-adapter CSS-Y-8P



- Enables the series-wiring of sensors and solenoid interlocks with SD interface. To that effect, both the safety channels and the serial diagnostic lines are wired in series.
- For the wiring, M12 cable extensions can be used. The voltage drop (due to the cable length, cable section, voltage drop per sensor) should be taken into account, as it reduces the maximum number of safety sensors and interlocks with SD interface that can be wired in series.

Terminal connector



- Supplies the safety channels with operating voltage
- Leads the SD interface back to the control cabinet to connect further SD participants of other safety circuits

Technical data

Rated operating voltage of the SD devices:	24 VDC (-15%/+10%)
Rated operating voltage of the adapter:	30 VDC
Max. operating current of the device to be connected:	1 A
Fuse of the connecting cables (circuit breaker):	4 A
Ambient temperature T _U :	-25 °C ... +75 °C

Approvals



Ordering details

Y-adapter

CSS-Y-8P

Approvals



Ordering details

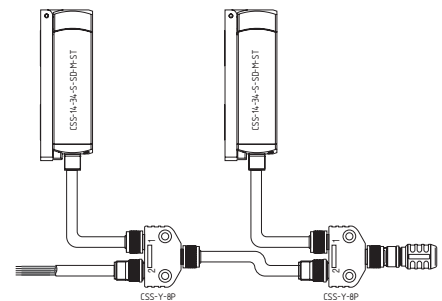
Terminal connector

CSS-Y-A-8P

- Connection cables
 M12, 8-poles
 With 0.5m cable
 With 1m cable
 With 1.5m cable
 With 2.5m cable
 With 5m cable

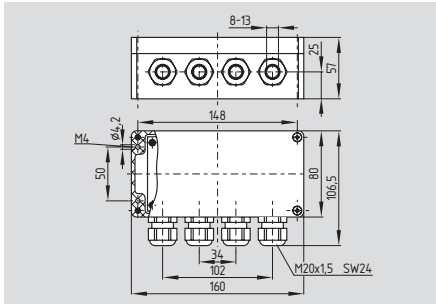
- 101217786**
101217787
101217788
101217789
101217790

Wiring diagram



Electronic safety sensor accessories

SD-2V-F-SK



- For field applications, junction box for 2 components, with screw terminals
- The terminals of the junction box are located in a closed enclosure

Technical data:
 Standards: VDE 0100
 Rated operating voltage U_e : 24 VDC
 Protection class: IP00 to EN 60529
 Ambient temperature: -25 °C ... +70 °C
 Storage temperature: -25 °C ... +85 °C

Approvals

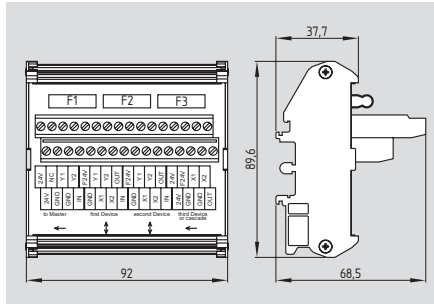


Ordering details

SD junction box
for field applications

SD-2V-F-SK

SD-2V-S-SK



- For control cabinet mounting, junction box for 2 components, with screw terminals
- Enables wiring in the control cabinet onto standard DIN rails

Technical data:
 Standards: VDE 0100
 Rated operating voltage U_e : 24 VDC
 Protection class: IP00 to EN 60529
 Ambient temperature: -25 °C ... +70 °C
 Storage temperature: -25 °C ... +85 °C

Approvals

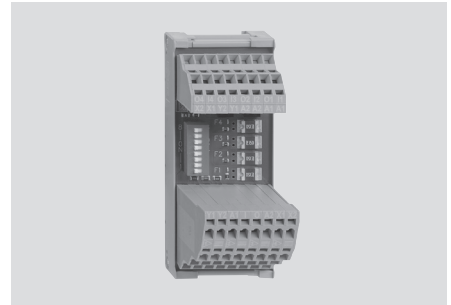


Ordering details

SD junction box for
control cabinet mounting

SD-2V-S-SK

PDM



Passive Distribution Module

- Installation in a switching cabinet or in terminal boxes
- Mixed series connection of 1–4 electronic safety sensors or solenoid interlocks
- Several modules can be switched in series for more comprehensive safety functions
- Individual protection of safety switchgear for every device connection with auto-reset fuses
- Can be configured easily via DIP switches
- Individual diagnosis and actuation of connected safety switchgear
- Wiring via spring-type terminals suitable for 0.25 – 1.5 mm² / 10 A
- Compact design with a width of only 45 mm on the profile rail
- Versions available for parallel IO wiring and for SD interface

Technical data:
 Standards: IEC 60947-1
 Rated operating voltage U_e : 24 VDC
 Protection class: IP00 to EN 60529
 Ambient temperature: -25 °C ... +65 °C
 Storage temperature: -40 °C ... +85 °C

Approvals



Ordering details

IO Wiring

PDM-IOP-4CC-IOP

Serial diagnostic

PDM-SD-4CC-SD

Electronic safety sensor accessories

PFB



Passive Fieldbox

- Heavy duty IP67 version
- Mixed series connection of 1– 4 electronic safety sensors or solenoid interlocks with 8-pin M12 connector
- Several fieldboxes can be connected in series for more comprehensive safety functions
- Individual protection of safety switchgear for every device connection with auto-reset fuses
- Can be configured easily via DIP switches
- Individual diagnosis and actuation of connected safety switchgear
- Voltage supply via new M12 power plug with cross section of 1.5 mm² / 10 A
- Compact fieldbox with dimensions 63 x 156 mm
- Versions available for parallel IO wiring and SD interface

Technical data:

Standards:	IEC 60947-1
Rated operating voltage U _e :	24 VDC
Protection class:	IP67 to EN 60529
Ambient temperature:	-20 °C ... +65 °C
Storage temperature:	-40 °C ... +70 °C

Approvals



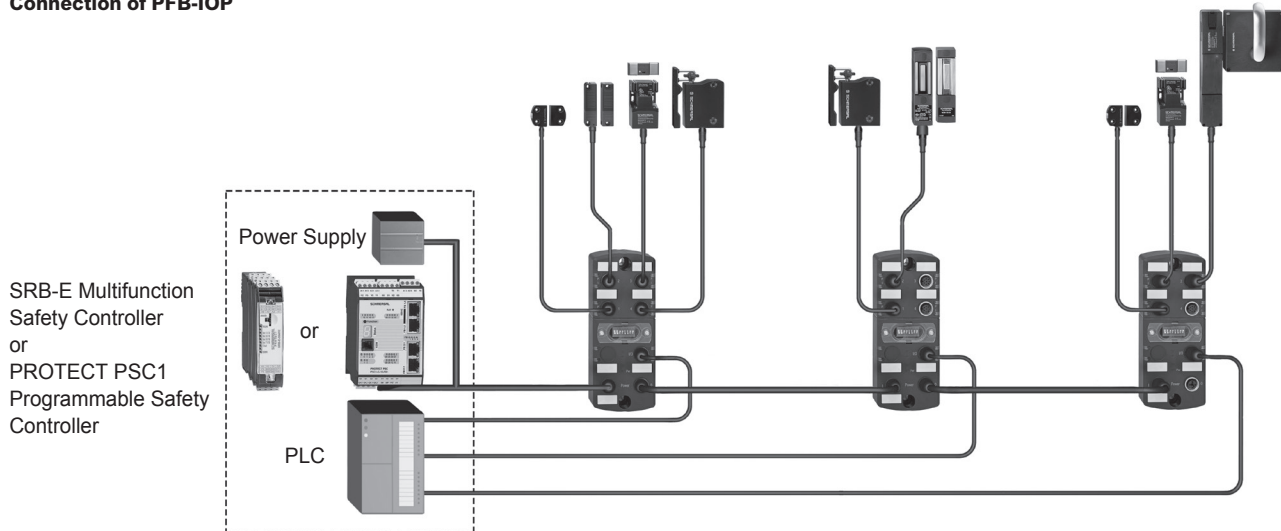
Ordering details

IO Wiring **PFB-IOP-4M12-IOP**

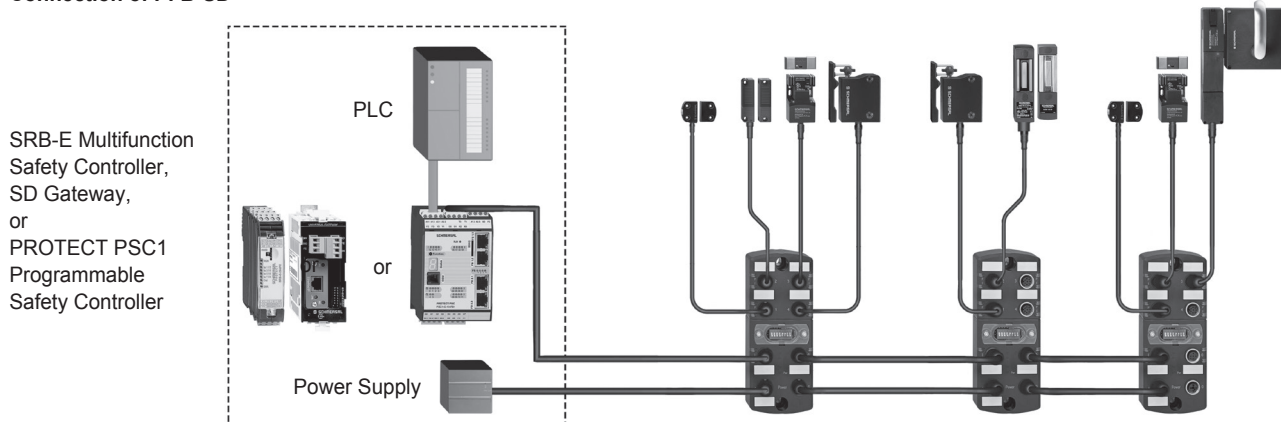
Serial diagnostic **PFB-SD-4M12-SD**

Wiring Diagrams

Connection of PFB-IOP

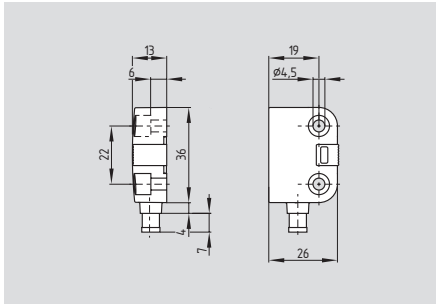


Connection of PFB-SD



Coded magnet safety sensors

BNS 260



- Thermoplastic enclosure
- Coded
- Actuation only possible with BPS 260
- Small design
- Long life, no mechanical wear
- Protection class IP67
- Insensitive to lateral misalignment
- Concealed mounting possible
- Insensitive to soiling
- AS-Interface Safety at Work available

Technical data

Standards: IEC 60947-5-3, BG-GS-ET-14
 Design: rectangular
 Enclosure: glass fiber reinforced thermoplastic
 Protection class: IP67 to EN 60529
 Connection: Boflex cable or connector M8
 Cable section of cable: 4 x 0.25 mm²
 - with signalling contact: 6 x 0.25 mm²
 Cable section of connector: M8, 4-pole
 - with signalling contact: M8, 6-pole
 Mode of operation: magnetic
 Actuating magnet: BPS 260, coded
 S_{ao}: 5 mm
 S_{ar}: 15 mm
 Switching conditions indicator: LED only for ordering suffix G

Switching voltage
 - without LED: max. 75 VDC
 - with LED: max. 24 VDC
 - with connector, 6 poles: max. 30 VDC
 Switching current
 - without LED: max. 400 mA
 - with LED: max. 10 mA
 Switching capacity
 - without LED: max. 10 VA
 - with LED: max. 240 mW
 Signalling contact: S31-S32
 Safety contacts: S21-S22; S11-S12 bzw. S13-S14
 Ambient temperature: -25 °C ... +70 °C
 Storage and transport temperature: -25 °C ... +70 °C
 Switching frequency: max. 5 Hz
 Resistance to shock: 30 g / 11 ms
 Resistance to vibration: 10 ... 55Hz, amplitude 1 mm

Classification:
 Standards: EN ISO 13849-1
 B_{10d} (NC/NO): 25.000.000 for 20% contact load
 Mission time: 20 years

$$MTTF_d = \frac{B_{10d}}{0,1 \times n_{op}} \quad n_{op} = \frac{d_{op} \times h_{op} \times 3600 \text{ s/h}}{t_{cycle}}$$

Contact variants

BNS 260-02Z(G)
 (3) BK S11 → S12 BU (4)
 (1) WH S21 → S22 BN (2)



BNS 260-11Z(G)
 (3) BK S13 → S14 BU (4)
 (1) WH S21 → S22 BN (2)

BNS 260-02/01Z(G)
 (3) GY S11 → S12 PK (4)
 (1) GN S21 → S22 YE (2)
 (5) WH S31 → S32 BN (6)



BNS 260-11/01Z(G)
 (3) GY S13 → S14 PK (4)
 (1) GN S21 → S22 YE (2)
 (5) WH S31 → S32 BN (6)

Approvals



Ordering details

BNS 260-①②Z③-④-⑤

No.	Option	Description
①	11	Safety contacts: 1 NO / 1 NC
	02	2 NC
②		Signalling contact: No signalling contact
	/01	1 NC
③		without LED
	G	with LED
④		Cable
	ST	Integrated connector
⑤	L	Left hand door
	R	Right hand door

Note

The actuating magnet must be ordered separately.

Important Note:
 Series BNS sensors are only for use in safety applications when used with an electrically compatible safety controller or safety PLC (See section 5 for appropriate safety controllers)

Note

Contact symbols shown for the closed condition of the guard device.

The number in brackets indicate the pin number of the connector.

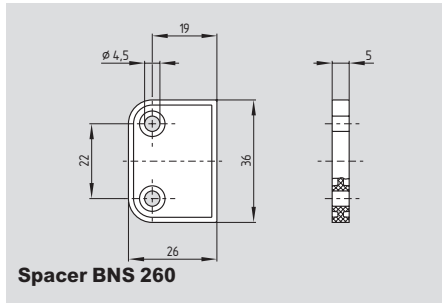
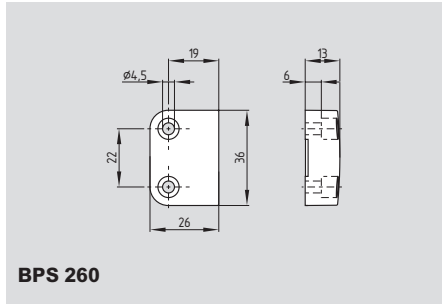
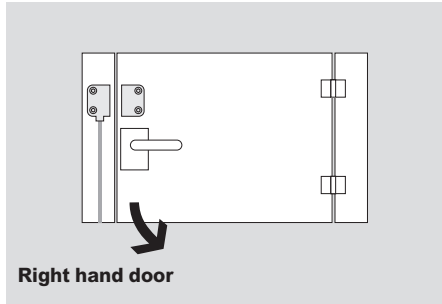
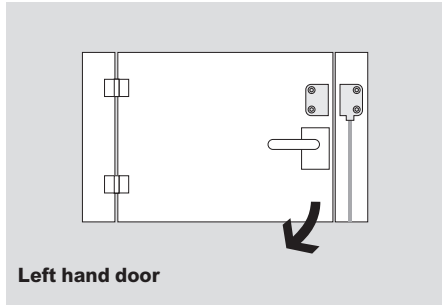
The contact configuration for versions with or without LED is identical.

Contacts S21-S22 must be integrated in the safety circuit.

The LED is illuminated when the guard door is closed.

Coded magnet safety sensors

System components



Ordering details

Left hand door
Right hand door

Ordering suffix -L
Ordering suffix -R

Actuating magnet
Actuator and sensor mounted on same fixing plane
Actuator for 90° fixing

BPS 260-1
BPS 260-2

Spacer BNS 260 **101184643**

System components



Connector M8

4-pole

PIN 1: BN
PIN 2: WH
PIN 3: BU
PIN 4: BK

6-pole

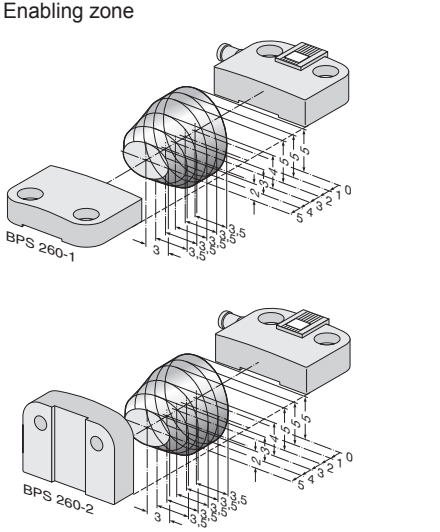
PIN 1: GN
PIN 2: YE
PIN 3: GY
PIN 4: PK
PIN 5: WH
PIN 6: BN

Ordering details

Cable with connector M8, 6-pole
with snap fitting, PVC
with cable 2 m **101206010**
with cable 5 m **101206011**
with cable 10 m **101206012**
with cable 2 m (angled) **101206013**
with cable 5 m (angled) **101206014**
with cable 10 m (angled) **101206015**

Cable with connector M8, 4-pole
with screw terminal, PUR
with cable 2 m **101209947**
with cable 5 m **101209981**
with cable 2 m (angled) **101210557**
with cable 5 m (angled) **101210559**

System components

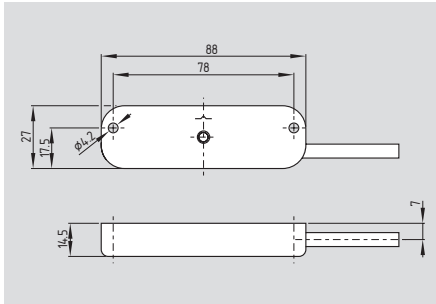


Ordering details

Y-adapter for BNS
with 1 NC/1 NO **BNS-Y-11**
with 2 NC **BNS-Y-02**

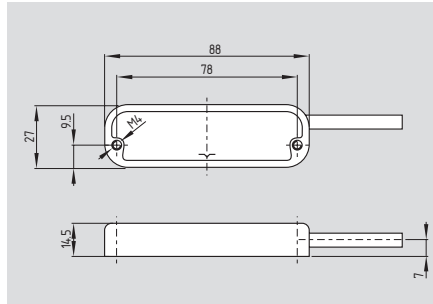
Coded magnet safety sensors

BNS 40S



- Fully encapsulated stainless steel enclosure
- Coded
- Rectangular design
- Long life, no mechanical wear
- Protection class IP69K
- Actuation only possible with BPS 40S-...
- Insensitive to lateral misalignment
- Concealed mounting possible
- Insensitive to soiling
- Suitable for food-processing industry
- Food-safe connecting cable

BNS 40S-...-C



- Concealed threaded holes on the rear-side provide for smooth cleaning

Technical data

Standards:	IEC 60947-5-3, BG-GS-ET-14
Design:	rectangular
Enclosure:	Stainless steel V4A (Material designation to DIN 1.3960)
Protection class:	IP69K to IEC/EN 60529
Connection:	cable LiYY, 1 m (suitable for the food industry)
Cable section:	6 x 0.25 mm ²
Mode of operation:	magnetic
Actuating magnet:	BPS 40S-1, BPS 40S-2, BPS 40S-1-C, BPS 40S-2-C, coded
S _{ao} :	8 mm
S _{ar} :	18 mm
Switching conditions indicator:	LED only for ordering suffix G
Max. switching voltage	
- without LED:	max. 100 VAC/DC
- with LED:	max. 24 VDC
Max. switching current	
- without LED:	max. 250 mA
- with LED:	max. 10 mA
Max. switching capacity	
without LED:	max. 3 W
with LED:	max. 240 mW
Ambient temperature:	-25 °C ... +80 °C
Storage and transport temperature:	-25 °C ... +80 °C
Max. switching frequency:	max. 5 Hz
Resistance to shock:	30 g / 11 ms
Resistance to vibration:	10 ... 55 Hz, amplitude 1 mm

Classification:

Standards:	EN ISO 13849-1
B _{10d} (NC/NO):	25,000,000 for 20% contact load
Mission time:	20 years

$$MTTF_d = \frac{B_{10d}}{0,1 \times n_{op}} \quad n_{op} = \frac{d_{op} \times h_{op} \times 3600 \text{ s/h}}{t_{cycle}}$$

Approvals

* under preparation



Approvals

* under preparation



Ordering details

BNS 40S-1Z2①

No.	Option	Description
①	G	without LED with LED

The actuating magnet must be ordered separately.

Ordering details

BNS 40S-1Z2①-C

No.	Option	Description
①	G	without LED with LED

The actuating magnet must be ordered separately.

Note

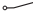
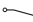
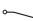
Important Note:

Series BNS sensors are only for use in safety applications when used with an electrically compatible safety controller or safety PLC (See section 5 for appropriate safety controllers)

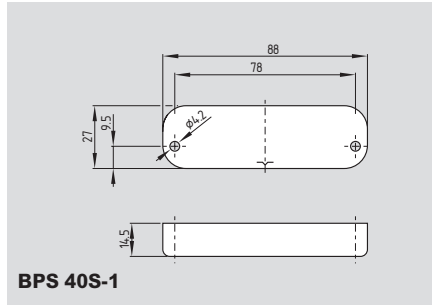
Coded magnet safety sensors

Contact variants

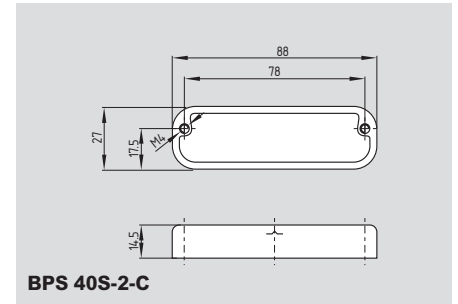
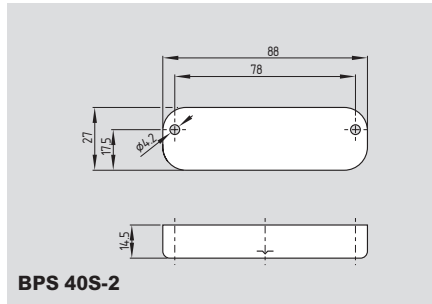
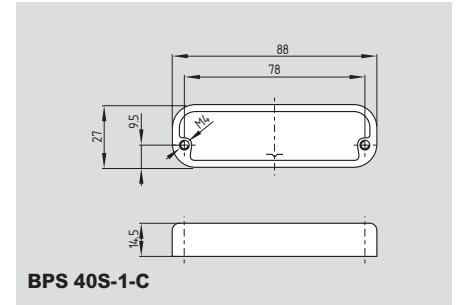
1 NO / 2 NC

GY S13  S14 PK
 GN S21  S22 YE
 WH S31  S32 BN

System components



System components



Note

Contact symbols shown for the closed condition of the guard device.

The contact configuration for versions with or without LED is identical.

Contacts S21-S22 must be integrated in the safety circuit.

The LED is illuminated when the guard door is closed.

Ordering details

Fully encapsulated stainless steel enclosure:
 Actuator and sensor mounted on same fixing plane
 Actuator for 90° fixing

BPS 40S-1

BPS 40S-2

Ordering details

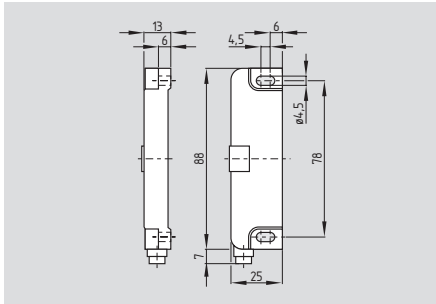
Fully encapsulated stainless steel enclosure:
 Actuator and sensor mounted on same fixing plane,
 rear-side threaded holes
 Actuator for 90° fixing,
 rear-side threaded holes

BPS 40S-1-C

BPS 40S-2-C

Coded magnet safety sensors

BNS 36



- Thermoplastic enclosure
- Coded
- Actuation only possible with BPS 36
- Long life, no mechanical wear
- Protection class IP67
- Insensitive to lateral misalignment
- Concealed mounting possible
- Insensitive to soiling
- AS-Interface Safety at Work available

Technical data

Standards: IEC 60947-5-3; BG-GS-ET-14
 Design: rectangular
 Enclosure: glass fiber reinforced thermoplastic
 Protection class: IP67 to EN 60529
 Connection: cable LiYY or connector M8
 Cable section of cable:
 - with signalling contact: 4 x 0.25 mm²
 - with signalling contact: 6 x 0.25 mm²
 Cable section of connector: M8, 4-pole
 - with signalling contact: M8, 6-pole
 Mode of operation: magnetic
 Actuating magnet: BPS 36, coded
 S_{ao}: 7 mm
 S_{ar}: 17 mm
 Switching conditions indicator: LED only for ordering suffix G

Switching voltage
 - without LED: max. 75 VDC
 - with LED: max. 24 VDC
 - with connector, 6 poles: max. 30 VDC
 Switching current
 - without LED: max. 400 mA
 - with LED: max. 10 mA
 Switching capacity
 - without LED: max. 10 VA
 - with LED: max. 240 mW
 Signalling contact: S31-S32
 Safety contacts: S21-S22;
 S11-S12
 bzw. S13-S14
 Ambient temperature: -25 °C ... +70 °C
 Storage and transport temperature: -25 °C ... +70 °C
 Switching frequency: max. 5 Hz
 Resistance to shock: 30 g / 11 ms
 Resistance to vibration: 10 ... 55 Hz, amplitude 1 mm

Classification:

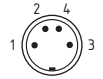
Standards: EN ISO 13849-1
 B_{10d} (NC/NO): 25.000.000
 for 20% contact load
 Mission time: 20 years

$$MTTF_d = \frac{B_{10d}}{0,1 \times n_{op}} \quad n_{op} = \frac{d_{op} \times h_{op} \times 3600 \text{ s/h}}{t_{cycle}}$$

Contact variants

BNS 36-02Z(G)

(3) BK S11 → S12 BU (4)
 (1) WH S21 → S22 BN (2)



BNS 36-11Z(G)

(3) BK S13 → S14 BU (4)
 (1) WH S21 → S22 BN (2)

BNS 36-02/01Z(G)

(3) GY S11 → S12 PK (4)
 (1) GN S21 → S22 YE (2)
 (5) WH S31 → S32 BN (6)



BNS 36-11/01Z(G)

(3) GY S13 → S14 PK (4)
 (1) GN S21 → S22 YE (2)
 (5) WH S31 → S32 BN (6)

Approvals



Ordering details

BNS 36-①②Z③-④-⑤

No.	Option	Description
①	11	Safety contacts: 1 NO / 1 NC
	02	2 NC
		Signalling contact: No signalling contact
②	/01	1 NC
	/10	1 NO
③	G	Without LED
		With LED
④		With cable
	ST	With integrated connector
⑤	L	Left hand door
	R	Right hand door

Note

The actuating magnet must be ordered separately.

Important Note:
 Series BNS sensors are only for use in safety applications when used with an electrically compatible safety controller or safety PLC (See section 5 for appropriate safety controllers)

Note

Contact symbols shown for the closed condition of the guard device.

The number in brackets indicate the pin number of the connector.

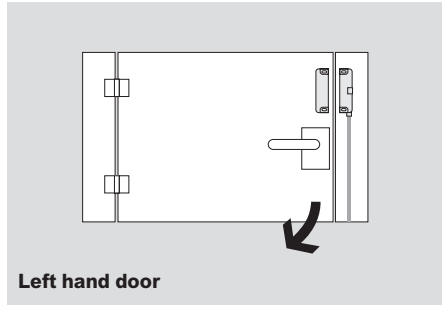
The contact configuration for versions with or without LED is identical.

The LED is illuminated when the guard door is closed.

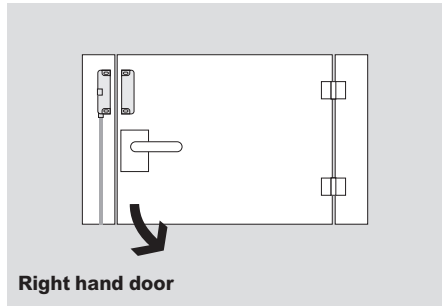
Contacts S21-S22 must be integrated in the safety circuit.

Coded magnet safety sensors

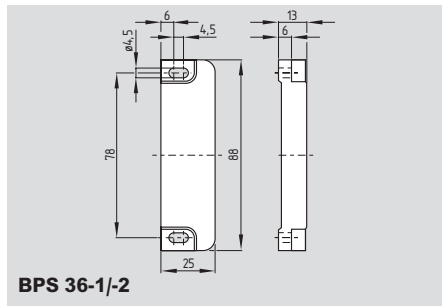
System components



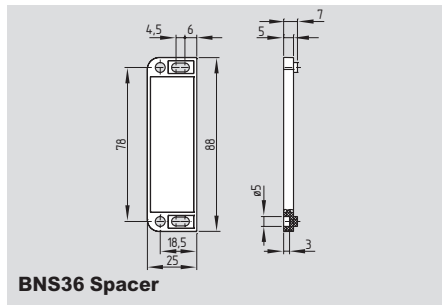
Left hand door



Right hand door



BPS 36-1/-2



BNS36 Spacer

Ordering details

Left hand door
Right hand door

Ordering suffix -L
Ordering suffix -R

Actuating magnet
Actuator and sensor mounted
on same fixing plane
Actuator for 90° fixing

BPS 36-1
BPS 36-2

BNS36 Spacer **101188624**

System components



Cable with connector M8

Connector M8

4-pole

PIN 1: BN
PIN 2: WH
PIN 3: BU
PIN 4: BK

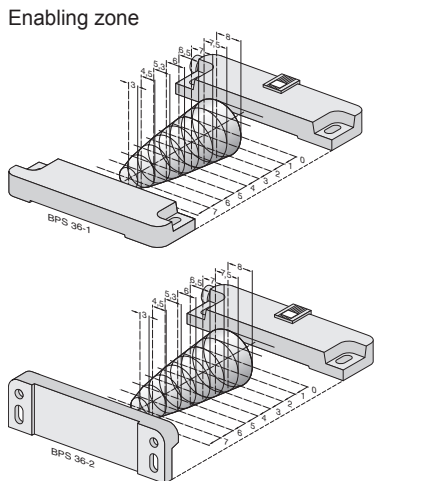
6-pole

PIN 1: GN
PIN 2: YE
PIN 3: GY
PIN 4: PK
PIN 5: WH
PIN 6: BN

System components



Y-adaptor



Ordering details

Cable with connector M8, 6-pole
with snap fitting, PVC
with cable 2 m **101206010**
with cable 5 m **101206011**
with cable 10 m **101206012**
with cable 2 m (angled) **101206013**
with cable 5 m (angled) **101206014**
with cable 10 m (angled) **101206015**

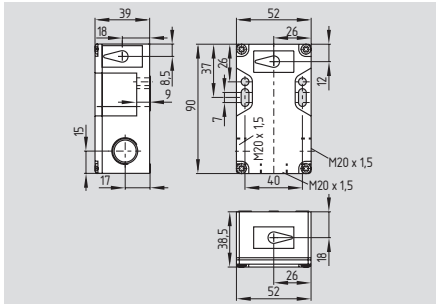
Cable with connector M8, 4-pole
with screw terminal, PUR
with cable 2 m **101209947**
with cable 5 m **101209981**
with cable 2 m (angled) **101210557**
with cable 5 m (angled) **101210559**

Ordering details

Y-adaptor for BNS
with 1 NC/1 NO **BNS-Y-11**
with 2 NC **BNS-Y-02**

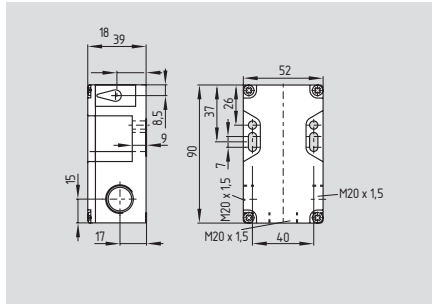
Coded magnet safety sensors

BNS 16



- Thermoplastic enclosure
- Coded
- Long life, no mechanical wear
- Protection class IP67/IP69K
- Insensitive to lateral misalignment
- Concealed mounting possible
- Insensitive to soiling
- Wiring compartment
- Suitable for food processing industry
- Mounting dimensions identical to AZ 16
- 3 cable entries M20
- Screw terminals or connector
- AS-Interface Safety at Work available

BNS 16 LR



- Actuation from both sides
- Fit for double guards
- Protection against defeat
- Suitable for use with SRB / AES safety monitoring modules
- Screw terminals

Technical data

Standards:	IEC 60947-5-3, BG-GS-ET-14
Design:	rectangular
Enclosure:	glass fiber reinforced thermoplastic, self-extinguishing
Protection class:	IP67 to EN 60529, IP69K to DIN 40050-9
Connection:	Screw terminals or connector M12, 4- or 8-pole
Cable section:	max. 2 x 1.5 mm ² (incl. conductor ferrules)
Cable entry:	3 x M20
Mode of operation:	magnetic
Actuating magnet:	BPS 16, coded
S _{BO} :	8 mm
S _{BR} :	18 mm
Switching voltage:	max. 100 VAC/DC
Switching current:	max. 400 mA
Switching capacity:	max. 10 W
Ambient temperature:	-25 °C ... +70 °C
Storage and transport temperature:	-25 °C ... +70 °C
Switching frequency:	max. 5 Hz
Resistance to shock:	30 g / 11 ms
Resistance to vibration:	10 ... 55Hz, amplitude 1 mm

Classification:

Standards:	EN ISO 13849-1
B _{10d} (NC/NO):	25.000.000 for 20% contact load
Mission time:	20 years

$$MTTF_d = \frac{B_{10d}}{0,1 \times n_{op}} \quad n_{op} = \frac{d_{op} \times h_{op} \times 3600 \text{ s/h}}{t_{cycle}}$$

Approvals



Ordering details

BNS 16-①Z②-③

No.	Option	Description
①	11	1 NO / 1 NC (only for connector type)
	12	1 NO / 2 NC
②	Actuating plane:	
	V	axial
	R	right
	L	left
	D	front (cover)
③	U	rear
	SK Terminals	
	ST1	Connector middle
	ST2	Connector right
	ST3	Connector left

The actuating magnet must be ordered separately.

1-104

Approvals



Ordering details

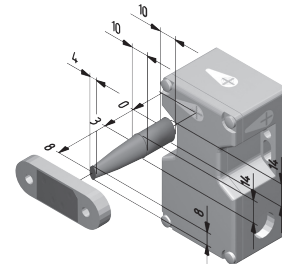
BNS 16-12Z-LR

No.	Option	Description
12		1 NO / 2 NC Actuating plane: left / right
	LR	

The actuating magnets must be ordered separately.

Requires 2 actuators

Note



BPS 16 Enabling zone

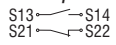
Important Note:

Series BNS sensors are only for use in safety applications when used with an electrically compatible safety controller or safety PLC. See section 5 for appropriate safety controllers)

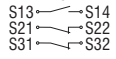
Coded magnet safety sensors

Contact variants

1 NO / 1 NC

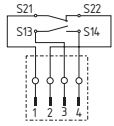


1 NO / 2 NC

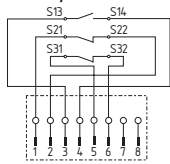


Connector

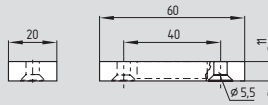
1 NO / 1 NC



1 NO / 2 NC



System components

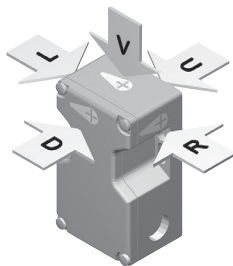


BPS 16



Connector

Note



5 different directions of actuation:
cover, front and below, right and left

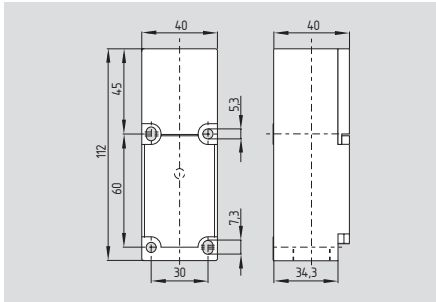
Contact symbols shown for the closed
condition of the guard device.

Ordering details

Actuating magnet	BPS 16
Connector M12, 4-pole without cable	101209950
with cable 5 m	101208523
Connector M12, 8-pole with cable 5 m	101209967

Coded magnet safety sensors

BNS 333



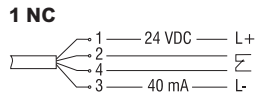
- With integral evaluation
- Thermoplastic enclosure
- Coded
- Long life, no mechanical wear
- Protection class IP65
- Insensitive to lateral misalignment
- Insensitive to soiling
- With wiring compartment
- With LED
- With actuator BPS 303 SS suitable for food processing industry

Technical data

Standards: IEC 60947-5-3, BG-GS-ET-14
 Design: rectangular
 Enclosure: glass fiber reinforced thermoplastic
 Protection class: IP65 to EN 60529
 Connection: screw terminals
 Cable section: max. 2 x 1.5 mm² (incl. conductor ferrules)
 Cable entry: 1 x M20
 Mode of operation: magnetic
 Actuating magnet: BPS 300, BPS 303, BPS 303 SS, coded
 S_{ao}: 4 mm
 S_{ar}: 14 mm
 Switching conditions indicator: LED
 Switching voltage: max. 250 VAC
 Switching current: max. 5 A
 Switching capacity: max. 1250 W
 Output: 1 enabling circuit
 U_e: 24 VDC
 I_e: max. 40 mA
 Ambient temperature: -25 °C ... +55 °C
 Storage and transport temperature: -25 °C ... +70 °C
 Switching frequency: max. 5 Hz
 Resistance to shock: 30 g / 11 ms
 Resistance to vibration: 10 ... 55Hz, amplitude 1 mm

Classification:
 Standards: EN ISO 13849-1
 B_{10d} (NC): 20.000.000
 for 20% contact load
 Mission time: 20 years
 $MTTF_d = \frac{B_{10d}}{0,1 \times n_{op}}$ $n_{op} = \frac{d_{op} \times h_{op} \times 3600 \text{ s/h}}{t_{cycle}}$

Contact variants



Approvals



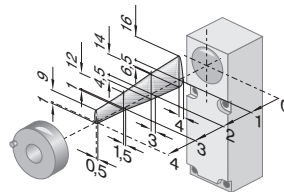
Ordering details

BNS 333-01Y①-M20

No.	Option	Description
①		Actuating plane:
	V	axial
	R	right
	L	left
	D	front (cover)
	U	rear

The actuating magnet must be ordered separately. Refer to page 1-112.

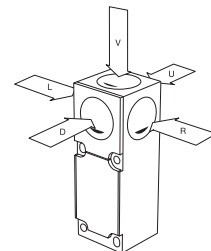
Note



Enabling zone
 Important Note:

The BNS333 is a 4-wire sensor designed to satisfy PLC per EN ISO 13849-1, or control Category 1 per EN 954-1. They are not designed for use with a separate safety controller.

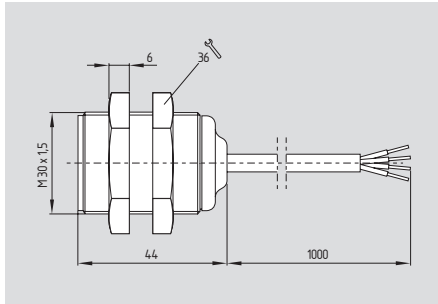
Note



different directions of actuation: cover, front and below, right and left
 Contact symbols shown for the closed condition of the guard device.
 The LED is illuminated when the guard door is closed.

Coded magnet safety sensors

BNS 303



- Thermoplastic enclosure
- Coded
- Long life, no mechanical wear
- Protection class IP67
- Insensitive to lateral misalignment
- Insensitive to soiling
- With actuator BPS 303 SS suitable for food processing industry
- With LED available
- EX version available

Technical data

Standards: IEC 60947-5-3;
BG-GS-ET-14

Design: cylindrical

Enclosure: glass fiber reinforced thermoplastic, 2 nuts thermoplastic, tightening force A/F 36: max. 300 Ncm

Protection class: IP67 to EN 60529

Connection: Boflex cable, connector M12

- Ordering suffix -ST:

Cable section: 4 x 0.25 mm²

Mode of operation: magnetic

Actuating magnet: BPS 300, BPS 303, BPS 303 SS, coded

S_{ao}: 5 mm

- Ordering suffix -2211: 8 mm

S_{ar}: 15 mm

- Ordering suffix -2211: 18 mm

Switching conditions indicator: LED only for ordering suffix G

Switching voltage

- without LED: max. 100 VAC/DC

- with LED: max. 24 VDC

- with connector: max. 100 VAC/DC

Switching current

- without LED: max. 400 mA

- 03Z: max. 250 mA

- with LED: max. 10 mA

Switching capacity

- without LED: max. 10 W

- with LED: max. 240 mW

Ambient temperature: -25 °C ... +70 °C

Storage and transport temperature: -25 °C ... +70 °C

Switching frequency: max. 5 Hz

Resistance to shock: 30 g / 11 ms

Resistance to vibration: 10 ... 55Hz, amplitude 1 mm

Classification:

Standards: EN ISO 13849-1

B_{10d} (NC/NO): 25.000.000 for 20% contact load

Mission time: 20 years

$$MTTF_d = \frac{B_{10d}}{0,1 \times n_{op}} \quad n_{op} = \frac{d_{op} \times h_{op} \times 3600 \text{ s/h}}{t_{cycle}}$$

Contact variants

1 NO / 1 NC

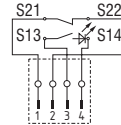
1 NO / 2 NC

3 NC

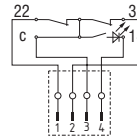
1 NO / 2 NC
(Ordering suffix -2187)

Connector

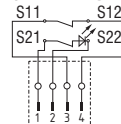
1 NO / 1 NC



1 NO / 2 NC



2 NC
(Ordering suffix -2211)



Approvals



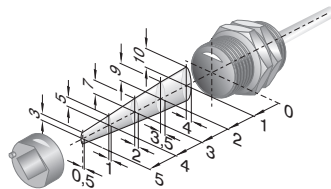
Ordering details

BNS 303-①Z②-③-④

No.	Option	Description
①	11	1 NO / 1 NC
	12	1 NO / 2 NC
	02	2 NC
	03	3 NC
②	G	Without LED
		With LED
③		With cable
	ST	With connector M12
④	2187	Individual contact outlet
	2211	Increased switching distance

The actuating magnet must be ordered separately. Refer to page 1-112.

Note



Enabling zone
Important Note:
Series BNS sensors are only for use in safety applications when used with an electrically compatible safety controller or safety PLC (See section 5 for appropriate safety controllers)

Note

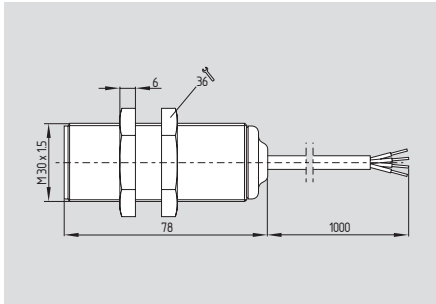
Contact symbols shown for the closed condition of the guard device.

The contact configuration for versions with or without LED is identical.

The LED is illuminated when the guard door is closed.

Coded magnet safety sensors

BNS 300



- With integral evaluation
- Thermoplastic enclosure
- Coded
- Long life, no mechanical wear
- Protection class IP67
- Insensitive to lateral misalignment
- Concealed mounting possible
- Insensitive to soiling
- With LED
- With actuator BPS 303 SS suitable for food processing industry

Technical data

Standards: IEC 60947-5-3, BG-GS-ET-14
 Design: cylindrical
 Enclosure: glass fiber reinforced thermoplastic, 2 nuts thermoplastic, tightening force A/F 36: max. 300 Ncm
 Protection class: IP67 to EN 60529
 Connection: Boflex cable, connector M12
 - Ordering suffix -ST:
 Cable section: 4 x 0.75 mm²
 Mode of operation: magnetic
 Actuating magnet: BPS 300, BPS 303, BPS 303 SS, coded
 S_{ao}: 5 mm
 - Ordering suffix -2211
 8 mm
 S_{ar}: 15 mm
 - Ordering suffix -2211
 18 mm
 Switching conditions indicator: LED
 Switching voltage: max. 250 VAC
 Switching current: max. 3 A
 Switching capacity: max. 750 W
 Output: 1 enabling circuit
 U_e: 24 VDC
 I_e: 30 mA
 Ambient temperature: -25 °C ... +55 °C
 Storage and transport temperature: -25 °C ... +70 °C
 Switching frequency: max. 5 Hz
 Resistance to shock: 30 g / 11 ms
 Resistance to vibration: 10 ... 55Hz, amplitude 1 mm

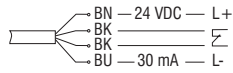
Classification:

Standards: EN ISO 13849-1
 B_{10d} (NC/NO): 20.000.000
 for 20% contact load
 Mission time: 20 years

$$MTTF_d = \frac{B_{10d}}{0,1 \times n_{op}} \quad n_{op} = \frac{d_{op} \times h_{op} \times 3600 \text{ s/h}}{t_{cycle}}$$

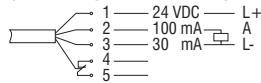
Contact variants

1 NC



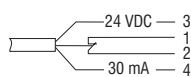
1 NC

Supplementary signal output (Ordering suffix -2230)



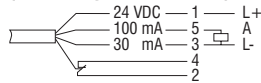
Connector

1 NC



1 NC

Supplementary signal output (Ordering suffix -2230)



Approvals



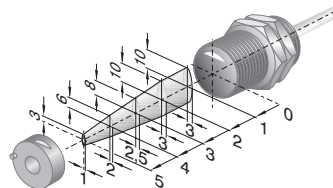
Ordering details

BNS 300-01ZG-①-②

No.	Option	Description
①	ST	With cable
	ST	With connector M12
②	2211	Increased switching distance
	2230	Supplementary signal output
	2246	U _e 42 VAC

The actuating magnet must be ordered separately. Refer to page 1-112.

Note



Enabling zone

Note

Contact symbols shown for the closed condition of the guard device.

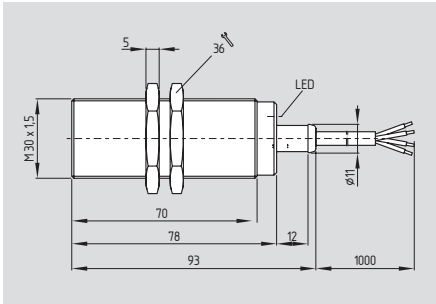
The LED is illuminated when the guard door is closed.

Important Note:

The BNS300 is a 4-wire sensor designed to satisfy PLc per EN ISO 13849-1, or control Category 1 per EN 954-1. They are not designed for use with a separate safety controller.

Coded magnet safety sensors

BNS 30



- With integral evaluation
- Metal enclosure
- Coded
- Long life, no mechanical wear
- Protection class IP67
- Insensitive to lateral misalignment
- Concealed mounting possible
- Insensitive to soiling
- With LED possible
- With actuator BPS 303 SS suitable for food processing industry

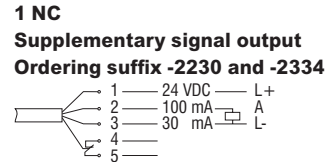
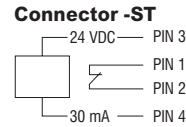
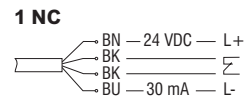
Technical data

Standards: IEC 60947-5-3, BG-GS-ET-14
 Design: cylindrical
 Enclosure: nickel-plated brass
 Protection class: IP67 to EN 60529
 Connection: Boflex cable, connector M12
 - Ordering suffix -ST:
 Cable section: 4 x 0.75 mm²
 Mode of operation: magnetic
 Actuating magnet: BPS 300, BPS 303, BPS 303 SS, coded

S_{ao}: 5 mm
 - Ordering suffix -2211, -2334 8 mm
 S_{ar}: 15 mm
 - Ordering suffix -2211, -2334 18 mm
 Switching conditions indicator: LED
 Switching voltage: max. 250 VAC
 Switching current: max. 3 A
 Switching capacity: max. 750 W
 Output: 1 enabling circuit
 U_e: 24 VDC
 I_e: 30 mA
 Ambient temperature: -25 °C ... +55 °C
 Storage and transport temperature: -25 °C ... +70 °C
 Switching frequency: max. 5 Hz
 Resistance to shock: 30 g / 11 ms
 Resistance to vibration: 10 ... 55Hz, amplitude 1 mm

Classification:
 Standards: EN ISO 13849-1
 B_{10d} (NC/NO): 20.000.000
 for 20% contact load
 Mission time: 20 years
 $MTTF_d = \frac{B_{10d}}{0,1 \times n_{op}}$ $n_{op} = \frac{d_{op} \times h_{op} \times 3600 \text{ s/h}}{t_{cycle}}$

Contact variants



Approvals

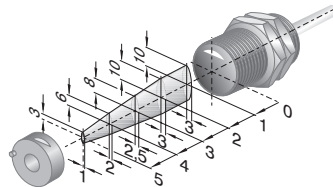


Ordering details

BNS 30-01Z^①-^②-^③

No.	Option	Description
①	G	Without LED With LED (only for cable)
②	ST	With cable With connector M12
③	2211	Increased switching distance
	2230	Supplementary signal output
	2334	Increased switching distance and supplementary signal output
	2246	U _e 42 VAC

Note



Enabling zone

Note

Contact symbols shown for the closed condition of the guard device.

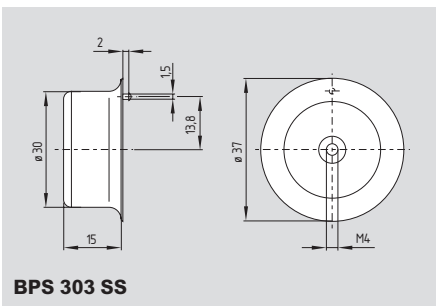
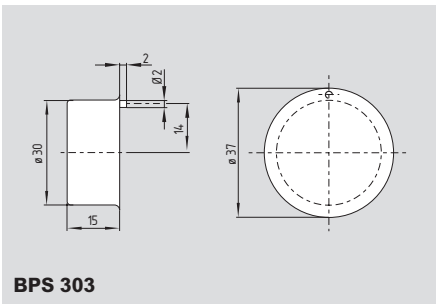
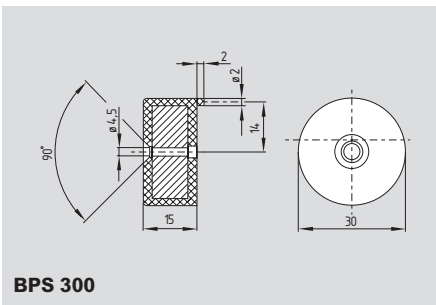
The LED is illuminated when the guard door is closed.

Important Note:
 The BNS30 is a 4-wire sensor designed to satisfy PLC per EN ISO 13849-1, or control Category 1 per EN 954-1. They are not designed for use with a separate safety controller.

The actuating magnet must be ordered separately. Refer to page 1-112.

Coded magnet safety sensors

System components



Ordering details

Actuating magnet:

thermoplastic enclosure **BPS 300**

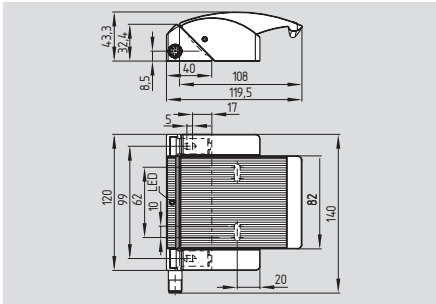
For food processing industry rear mounted:

thermoplastic enclosure **BPS 303**

stainless steel enclosure **BPS 303 SS**

Coded magnet safety sensors

BNS-B20



- Thermoplastic enclosure
- Non-contact safety switch
- No protruding actuator, no risk of injury
- Does not protrude into the door opening
- Substitutes door-handle and safety switch, no further door fittings required
- Modern and symmetric design
- Fitted with four screws only
- Latching force of approx. 100 N
- Tamper-proof because of integral coded safety sensor
- LED indication
- Ergonomic operation
- Suitable for hinged and sliding guards

Technical data

Standards: IEC 60947-5-3; BG-GS-ET-14

Enclosure: glass fiber reinforced thermoplastic

Protection class: IP67 to EN 60529

Connection: connector M12, 8-pole or cable LiYY 6 x 0.25 mm², 1m

Mode of operation: magnetic

S_{ap}: 0 mm

S_{ar}: 22 mm

Switching conditions indicator: LED only for ordering suffix G

Switching voltage

- with connector: max. 24 VDC
- with connector and LED: max. 24 VDC
- with cable: max. 110 VAC/DC
- with cable and LED: max. 24 VDC

Switching current

- with LED: max. 10 mA
- without LED: max. 250 mA

Switching capacity

- with LED: max. 240 mW
- without LED: max. 3 W

Signalling contact

- NO/NC connection: S31-S32
- NC/NC connection: S13-S14

Safety contacts

- NO/NC connection: S13-S14; S21-S22
- NC/NC connection: S21-S22; S31-S32

Ambient temperature: -25 °C ... +70 °C

Storage and transport temperature: -25 °C ... +70 °C

Switching frequency: max. 5 Hz

Resistance to shock: 30 g / 11 ms

Resistance to vibration: 10 ... 55 Hz, amplitude 1 mm

Max. door weight: hinged guard: 5 kg, sliding guard: 3 kg

Classification:

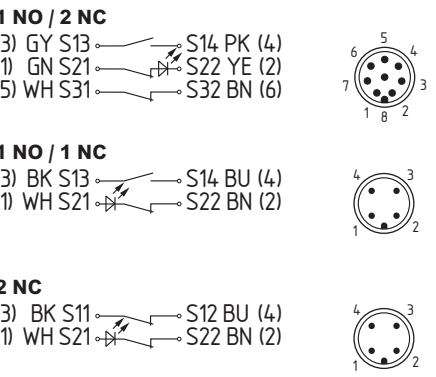
Standards: EN ISO 13849-1

B_{10d} (NC/NO): 25.000.000 for 20% contact load

Mission time: 20 years

MTTF_d = $\frac{B_{10d}}{0,1 \times n_{op}}$ $n_{op} = \frac{d_{op} \times h_{op} \times 3600 \text{ s/h}}{t_{cycle}}$

Contact variants



Approvals



Ordering details

BNS-B20-①Z②-③-④ Sensor

No.	Option	Description
①	12	1 NO / 2 NC
	11	1 NO / 1 NC
	02	2 NC
②	G	Without LED
		With LED
③		With bottom cable
	H	With rear cable
	ST	With bottom M12 connector
④	L	Left hand door *
	R	Right hand door *

* Only for bottom cable or connector version

Note

The safety sensor and the actuator must be ordered separately.

Inductive loads (e.g. contactors, relays, etc.) are to be suppressed by means of a suitable circuit.

The BNS-B20 can be connected to:

- safety monitoring relays with NO/NC inputs, the remaining NC contact can be used as signalling contact
- safety monitoring relays with NC/NC inputs, the remaining NO contact can be used as signalling contact.

Note

Contact S21-S22 must always be integrated in the safety circuit.

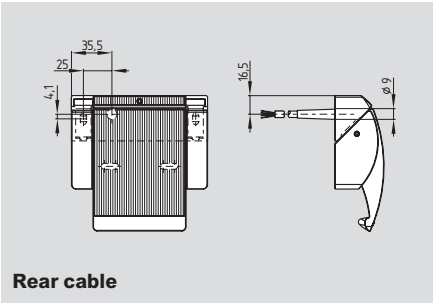
Contact symbols shown for the closed condition of the guard device.

The contact configuration for versions with or without LED is identical.

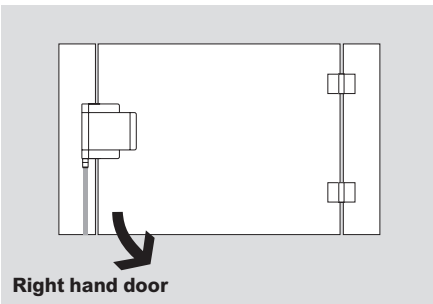
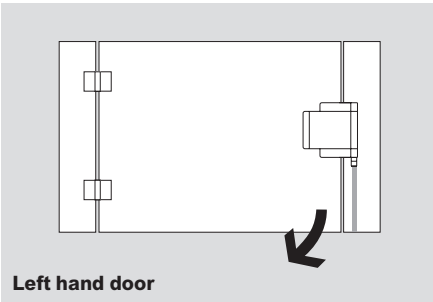
The LED is illuminated when the guard door is closed.

Coded magnet safety sensors

System components



System components



Ordering details

Rear cable **Ordering suffix -H**
 Left hand door **Ordering suffix -L**
 Right hand door **Ordering suffix -R**

Ordering details

Actuator **BNS-B20-B01**
 The safety sensor and the actuator must be ordered separately.
 Connector M12, 4-pole without cable **101209950**
 with cable 5 m **101208523**
 Connector M12, 8-pole with cable 5 m **101209967**

Safe signalling and monitoring
Safety rated limit switches and Safety switches for hinged guards



Position or limit switches are used with movable machine guards or detect the presence of materials. These switches feature positive break contacts which make them suitable for safety applications.

Position Switches

PS116	1-114
T 235 / 236	1-116
T 335 / 336	1-118

Hinged switches are used to monitor the position of hinged safety guards. They prevent machine operation while the door is ajar.

Hinged Switches

T.C 235 / 236	1-120
TVS 335	1-122
TESZ	1-123
TESF	1-124
TESK	1-126

Position switches

PS116



- Diecast Zinc and Thermoplastic enclosure
- Compact design 31 x 57 x 16 mm
- Reliable position detection
- Available with 2 or 3 contacts in various configurations
- Available with positive break NC contacts
- Snap action offers optional latching with manual reset via pin
- Slow action available with overlapping or staggered contacts
- Wide range of alternative actuators
- M12 connector or 2 m prewired cable from bottom or side
- Symmetrical housing for mounting options
- All switching elements feature contact opening 2 x 2 mm, meeting requirements of EN81.1 for use in elevators
- Protection rating IP66 / IP67
- Modular design features:
 - Actuator heads can be rotated in 45° steps
 - Angle of roller lever adjustable in 10° steps
 - Actuator heads are available separately and can be replaced/exchanged in field

Approvals



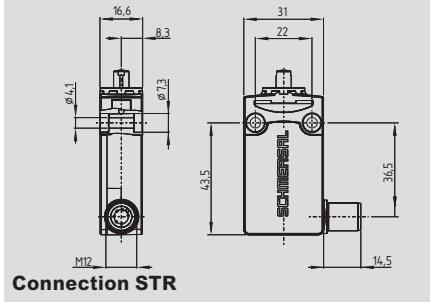
Ordering details

PS116-①-②-③

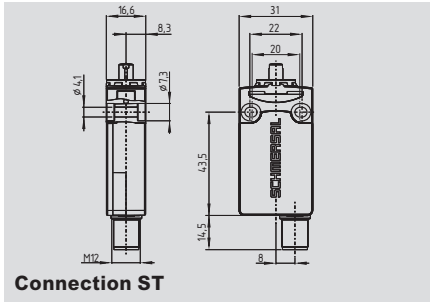
No.	Option	Description
①	Contact action / configuration	
	<i>Snap action</i>	
Z02	2 NC	
Z02R	2 NC, latching	
Z11	1 NO & 1 NC	
Z11R	1 NO & 1 NC, latching	
Z12	1 NO & 2 NC	
Z12R	1 NO & 2 NC, latching	
	<i>Slow Action</i>	
T02	2 NC	
T02H	2 NC staggered	
T11	1 NO & 1 NC	
T11UE	1 NO & 1 NC, overlapping	
T20	2 NO*	
T03	3 NC	
T12	1 NO & 2 NC	
T21	2 NO & 1 NC	

1-114

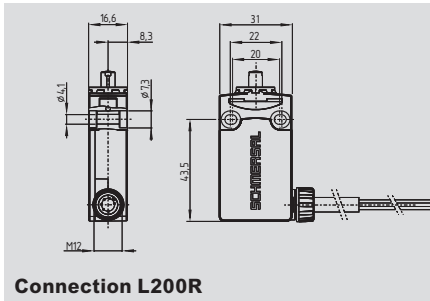
Technical data



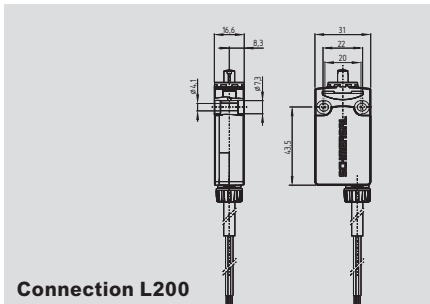
Connection STR



Connection ST



Connection L200R



Connection L200

Ordering details

No.	Option	Description
②	L200	2 m cable, from bottom
	L200R	2 m cable, from side
	ST	Connector M12 (A-Coding) from bottom
	STR	Connector M12 (A-Coding) from bottom
③		see page 1-117 for actuator codes

Actuators are also available separately. Order base model switch (with S200) and separate actuator and exchange the operator in field.

* Switches with 2 NO contacts (20) are only suitable for positioning tasks.

For more information, see our online product catalog: www.usa.schmersal.net

Technical data

Standards: IEC/EN 60947-5-1
 Design: fixings to EN 50047
 Enclosure: Glass fiber reinforced thermoplastic
 Enclosure top: zinc die-cast, chromated
 Protection class: IP66, IP67 to EN 60529
 Contact material: silver
 Contact type: change-over contact with double break, type Zb or 2 NC contacts, with galvanically separated contact bridges

Switching principle: \ominus IEC 60947-5-1
 slow or snap action, NC contacts with positive break
 Connection: M12 connector or prewired cable
 Connecting cable: PVC LIYYW grey
 4 x 0.5 mm² or 6 x 0.5 mm²

Utilization category: AC-15, DC-13
 Rated operation current / voltage (I_e/U_e):
 - prewired cable: 3 A / 240 VAC, 1.5 A / 24 VDC
 - M12, 4 pole: 1.5 A / 240 VAC, 1.5 A / 24 VDC
 - M12, 8 pole: 1.5 A / 24 VDC
 Rated impulse withstand voltage U_{imp} :
 - prewired cable: 4 kV
 - M12, 4 pole: 2.5 kV
 - M12, 8 pole: 0.8 kV

Rated insulation voltage U_i :
 - cable, connector M12, 4 pole: 300 V
 - connector M12, 8 pole: 30 V (PELV)
 Max. fuse rating: 6 A gG D-fuse
 Ambient temperature: -30 °C ... +80 °C
 Mechanical life: 10 million operations
 Switching frequency: max. 5,000/h
 Bounce duration: snap action: < 3 ms;
 slow action: in accordance with actuating speed
 Switchover time: slow action: in accordance with actuating speed

Classification:
 Standards: EN ISO 13849-1
 Classification: applicable up to cat 1 / PLC
 Classification, 2 channel usage: applicable up to cat 3/PLD w/ suitable logic unit
 B_{10d} (NC): 20,000,000
 B_{10d} (NO): 1,000,000
 for max. 10% ohmic contact load
 Service life: 20 years

Note



Switch body is symmetrical, can be mounted with connector or cable from right or left, rotating the actuator head to the correct position.

Actuator head can be rotated to one of 8 positions (45° offset). Rotating of actuator requires use of adjustment tool.

Position switches

Plunger / lever options



S200 plunger



R200 roller plunger



K200 offset roller lever



K210 offset roller lever



K230 angle roller lever



K240 angle roller lever



K250 angle roller lever



H200 roller lever



N200 roller lever



J200 rod lever*

Ordering details

Individual actuators:

S200 plunger
 R200 roller plunger
 K200 offset roller lever
 K210 offset roller lever
 K230 angle roller lever
 K240 angle roller lever
 K250 angle roller lever
 H200 roller lever
 N200 roller lever
 J200 rod lever*

PS-S200
PS-R200
PS-K200
PS-K210
PS-K230
PS-K240
PS-K250
PS-H200
PS-N200
PS-J200

Ordering details

Adjustment tool

ACC-PS116-1

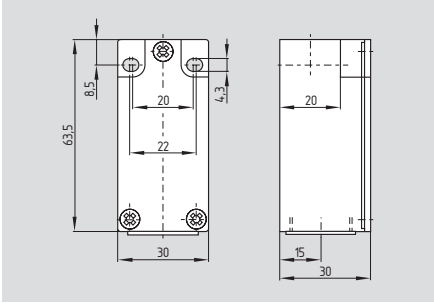
M12 Connector cables
 4-pole cable, 5 meter length
 8-pole cable, 5 meter length
 8-pole cable, 10 meter length

103006760
101209964
101209960

* rod lever not appropriate for use in safety applications

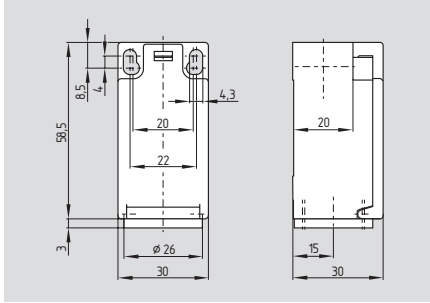
Position switches

Z/T 235



- Metal enclosure
- Available with 2 positive break NC contacts
- Snap action with constant contact pressure up to switching point
- Slow action available with overlapping or staggered contacts
- Wiring compartment
- 1 cable entry M20
- Wide range of alternative actuators
- Actuator heads can be repositioned by 4 x 90°
- Angle of roller lever adjustable in 10° steps
- Good resistance to oil and petroleum spirit
- Metal roller available on request
- EX version available
- AS-Interface Safety at Work available

Z/T 236



- Thermoplastic enclosure
- Double insulated □
- Available with 2 positive break NC contacts
- Snap action with constant contact pressure up to switching point
- Slow action available with overlapping or staggered contacts
- 1 cable entry M20
- Wide range of alternative actuators
- Actuator heads can be repositioned by 4 x 90°
- Angle of roller lever adjustable in 10° steps
- Good resistance to oil and petroleum spirit
- AS-Interface Safety at Work available

Technical data

Standards:	IEC/EN 60947-5-1 BG-GS-ET-15
Design:	fixings to EN 50047
Enclosure: Z/T 235:	zinc die-cast, enamel finish
Z/T 236:	Glass fiber reinforced thermoplastic
Protection class:	IP67 to EN 60529
Contact material:	silver
Contact type:	change-over contact with double break, type Zb or 2 NC contacts, with galvanically separated contact bridges
Switching principle:	⊖ IEC 60947-5-1 slow or snap action, NC contacts with positive break
Connection:	screw terminals
Cable section:	max. 2.5 mm ² , min. 0.75 mm ² (incl. conductor ferrules)
Cable entry:	1 x M20
U _{imp} :	6 kV
U _i :	500 V
	connector: 0.8 kV
	connector: 50 V
I _{the} :	10 A
Utilization category:	AC-15, DC-13
I _e /U _e :	4 A / 230 VAC 1 A / 24 VDC
	connector: 4 A / 50 V
Max. fuse rating:	6 A gG D-fuse
Ambient temperature:	-30 °C ... +80 °C
Mechanical life:	20 million operations
Switching frequency:	max. 5,000/h
Bounce duration:	snap action: < 3 ms; slow action: in accordance with actuating speed
Switchover time:	snap action: > 5.5 ms; slow action: in accordance with actuating speed

Classification:

Standards:	EN ISO 13849-1
B _{10d} (NC):	20,000,000
B _{10d} (NO):	1,000,000
	for max. 10% ohmic contact load
Mission time:	20 years

$$MTTF_d = \frac{B_{10d}}{0,1 \times n_{op}} \quad n_{op} = \frac{d_{op} \times h_{op} \times 3600 \text{ s/h}}{t_{cycle}}$$

Approvals



Ordering details

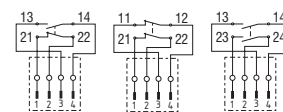
①② 23③-④Z⑤-⑥-⑦-⑧-⑨

No.	Option	Description
①	Z	Snap action ⊖
	T	Slow action ⊖
②		For the appropriate actuator: see page 1-119
③	5	Metal housing
	6	Plastic housing
④	02	2 NC
	11	1 NO / 1 NC
	20	2 NO *
⑤	H	Slow action with staggered contacts with overlapping contacts
	UE	

Ordering details

No.	Option	Description
⑥	NPT	Cable entry M20
	ST	Cable entry NPT 1/2"
		Connector M12
		(A-Coding)
	2310	(B-Coding)
⑦	1297	Enclosure with transversely slotted mounting holes
⑧	2138	Roller lever 7H for safety duties
⑨	1637	Gold-plated contacts

Note

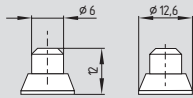


Caution! The versions with connector may only be used in PELV circuits to EN 60204-1.

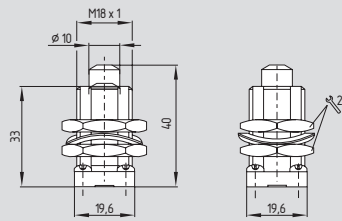
* Switches with 2 NO contacts (20) are only available for T (Slow Action) versions and are only suitable for positioning tasks.

Position switches

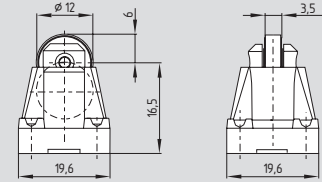
Plunger / lever options



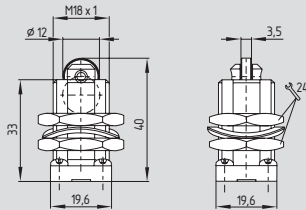
Plunger S



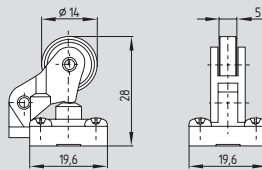
Plunger 4S



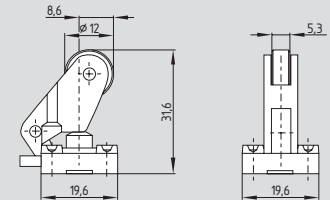
Plunger R



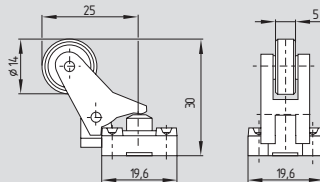
Plunger 4R



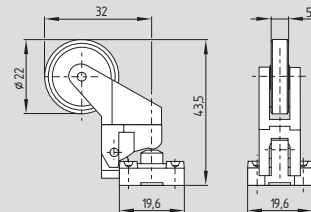
Offset Roller Lever 1R



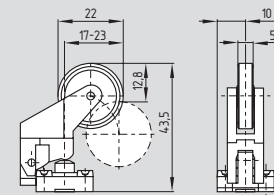
Offset Roller K



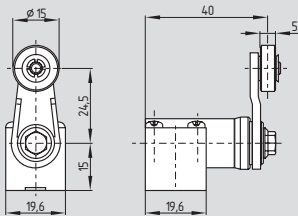
Angle Roller Lever 3K



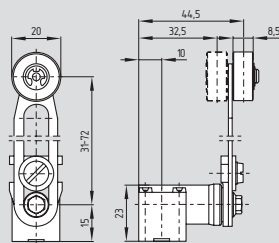
Angle Roller Lever 4K



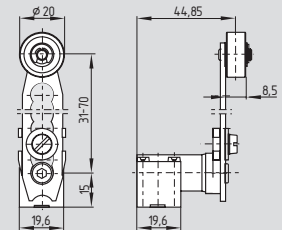
Angle Roller Lever K4



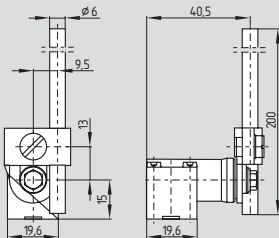
Roller Lever 1H



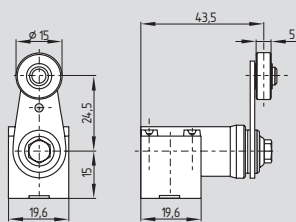
Roller Lever 7H



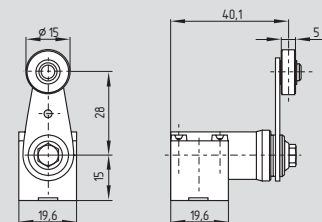
Roller Lever 7H-2138



Roller Lever 10H



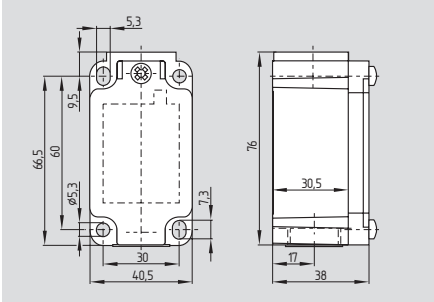
Roller Lever 12H



Roller Lever 14H

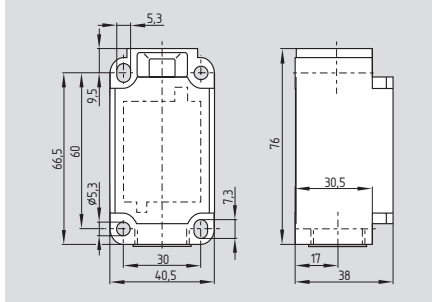
Position switches

Z/T 335



- Metal enclosure
- Snap action with constant contact pressure up to switching point
- Slow or snap action available with 2 positive break NC contacts to EN 60947-5-1
- Slow action available with overlapping or staggered contacts
- 1 cable entry M20
- Wide range of alternative actuators
- Actuator heads can be repositioned by 4 x 90°
- Angle of roller lever adjustable in 10° steps
- Good resistance to oil and petroleum spirit
- Metal roller available on request
- EX version available
- AS-Interface Safety at Work available

Z/T 336



- Thermoplastic enclosure
- Double insulated □
- Slow action or snap action available with 2 positive break NC contacts to EN 60947-5-1
- Snap action with constant contact pressure up to switching point
- Slow action available with overlapping or staggered contacts
- 1 cable entry M20
- Wide range of alternative actuators
- Actuator heads can be repositioned by 4 x 90°
- Angle of roller lever adjustable in 10° steps
- Good resistance to oil and petroleum spirit
- Metal roller available on request
- AS-Interface Safety at Work available

Technical data

Standards:	IEC/EN 60947-5-1 BG-GS-ET-15
Design:	DIN EN 50041
Enclosure:	335: light-alloy die cast, paint finish 336: Glass fiber reinforced thermoplastic
Protection class:	IP67 to EN 60529
Contact material:	silver
Contact type:	change-over contact with double break, type Zb or 2 NC contacts, with galvanically separated contact bridges
Switching principle:	⊖ IEC 60947-5-1 slow or snap action, NC contacts with positive break
Connection:	screw terminals
Cable section:	max. 2.5 mm ² (incl. conductor ferrules)
Cable entry:	1 x M20
U _{imp} :	6 kV -03z, -12z: 4kV connector: 0.8 kV
U _i :	500 V -03z, -12z: 250 V connector: 50 V
I _{the} :	10 A
Utilization category:	AC-15, DC-13
I _e /U _e :	4 A / 230 VAC 4 A / 24 VDC connector: 4 A / 50 V
Max. fuse rating:	6 A gG D-fuse
Ambient temperature:	-30 °C ... +80 °C
Mechanical life:	30 million operations
Switching frequency:	max. 5,000/h
Bounce duration:	snap action: in accordance with actuating speed; slow action: < 2ms
Switchover time:	snap action: < 2 ms; slow action: in accordance with actuating speed

Classification:

Standards:	EN ISO 13849-1
B _{10d} (NC):	20,000,000
B _{10d} (NO):	1,000,000
	for max. 10% ohmic contact load
Mission time:	20 years

$$MTTF_d = \frac{B_{10d}}{0,1 \times n_{op}} \quad n_{op} = \frac{d_{op} \times h_{op} \times 3600 \text{ s/h}}{t_{cycle}}$$

Approvals



Ordering details

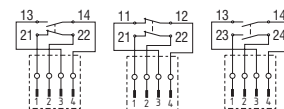
①② 33③-④Z⑤-⑥-⑦-⑧-⑨

No.	Option	Description
①	Z T	Snap action ⊖ Slow action ⊖
②		For the appropriate actuator: see page 1-121
③	5 6	Metal housing Plastic housing
④	11 02 20 01/01 12 03	1 NO / 1 NC 2 NC 2 NO * 1 NC left / 1 NC right 1 NO / 2 NC** 3 NC**
⑤	H UE	Slow action with staggered contacts with overlapping contacts

Ordering details

No.	Option	Description
⑥	G24	With LED
⑦	NPT ST	Cable entry M20 Cable entry NPT 1/2" Connector M12
⑧	2310 2138	(A-Coding) (B-Coding) Roller lever 7H for safety duties
⑨	1637	Gold-plated contacts

Note



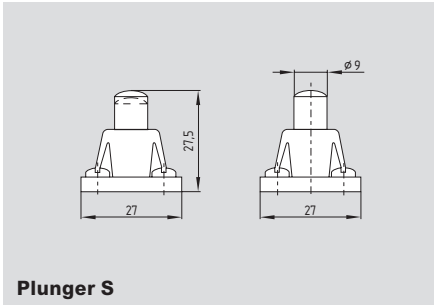
Caution! The versions with connector may only be used in PELV circuits to EN 60204-1.

* Switches with 2 NO contacts (20) are only available for T (Slow Action) versions and are only suitable for positioning tasks.

** Switches with 1 NO & 2 NC contacts (12) or 3 NC contacts (03) are only available for 335 (metal) housings with T (Slow Action) contacts.

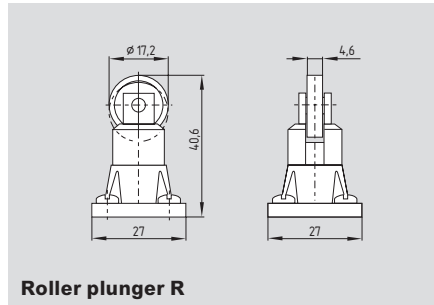
Position switches

Plunger / Lever options



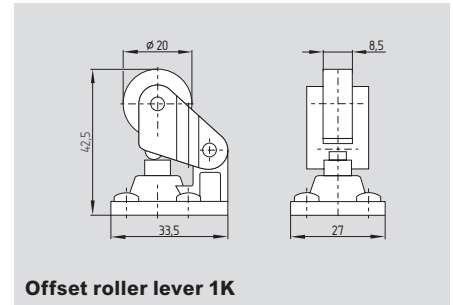
Plunger S

- Actuator type B to EN 50041
- Required actuating force:
12 N for snap action,
17 N for slow action
- Actuating speed with actuating angle 0° to switch axis, max. 0.5 m/s



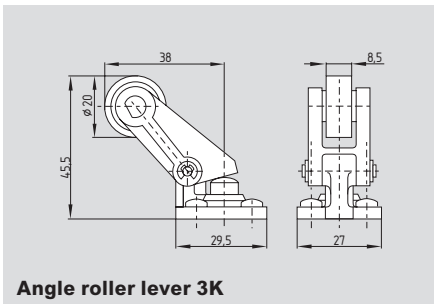
Roller plunger R

- Actuator type C to EN 50041
- Required actuating force:
12 N for snap action,
17 N for slow action
- Actuating speed with actuating angle 30° to switch axis: max. 0.5 m/s



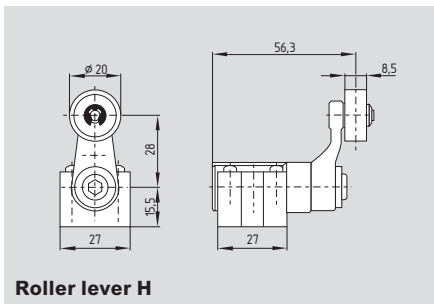
Offset roller lever 1K

- Required actuating force:
12 N for snap action,
17 N for slow action
- Actuating speed with actuating angle 30° to switch axis: max. 0.5 m/s



Angle roller lever 3K

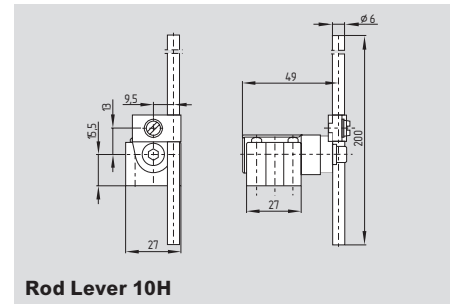
- Required actuating force:
12 N for snap action,
17 N for slow action
- Actuating speed with actuating angle 30° to switch axis: max. 0.5 m/s
- Actuation parallel to axis of switch from below



Roller lever H

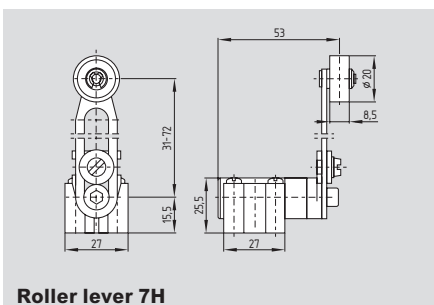
- Actuator type A to EN 50041
- Required actuating torque:
26 Ncm for snap action,
31 Ncm for slow action
- Actuating speed with actuating angle 30° to switch axis: max. 2.5 m/s

On version TVH ...-01/01z positive break only to one side.



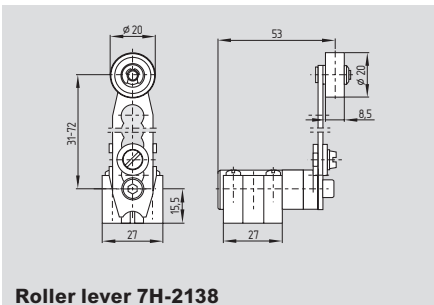
Rod Lever 10H

- **Only for positioning tasks**
- Actuator type D to EN 50041
- Plastic rod
- Required actuating torque:
26 Ncm for snap action,
31 Ncm for slow action
- Actuating speed with actuating angle 30° to switch axis: max. 2.5 m/s
- Aluminum rod, ordering suffix -1183



Roller lever 7H

- **Only for positioning tasks**
- Required actuating torque:
26 Ncm for snap action,
31 Ncm for slow action
- Actuating speed with actuating angle 30° to switch axis: max. 2.5 m/s

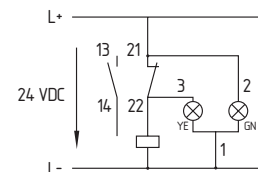


Roller lever 7H-2138

- For safety tasks ⊕, positive break
- Required actuating torque:
26 Ncm for snap action,
31 Ncm for slow action
- Actuating speed with actuating angle 30° to switch axis: max. 2.5 m/s

On version TV7H ...-01/01z-2138 positive break only to one side.

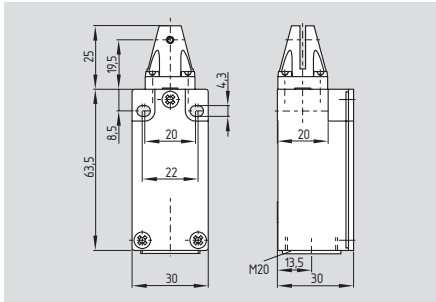
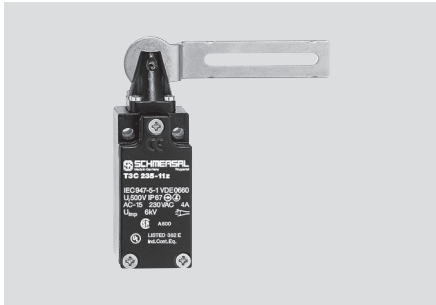
Note



LED version
Ordering suffix G24, Protected against incorrect polarity and voltage spikes.

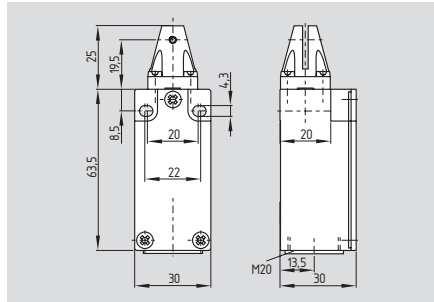
Safety switch for hinged guards

T.C 235



- Metal enclosure
- Versions available for left-hand (T3C 235), right-hand (T5C 235) and swing-doors (T4C 235)
- 1 cable entry M20
- Good resistance to oil and petroleum spirit
- Actuator heads can be repositioned in steps 4 x 90°
- Opening angle 180°
- Stainless steel actuator
- EX version available

T.C 236



- Thermoplastic enclosure
- Versions available for left-hand (T3C 236), right-hand (T5C 236) and swing-doors (T4C 236)
- Double insulated \square
- 1 cable entry M20
- Good resistance to oil and petroleum spirit
- Actuator heads can be repositioned in steps 4 x 90°
- Opening angle 180°
- Stainless steel actuator

Technical data

Standards:	IEC/EN 60947-5-1 BG-GS-ET-15
Design:	fixings to EN 50047
Enclosure:	235: light-alloy diecast, paint finish 236: Glass fiber reinforced thermoplastic
Protection class:	IP67 to EN 60529
Contact material:	silver
Contact type:	change-over contact with double break Zb or 1 NC or 2 NC contacts, with galvanically separated contact bridges
Switching principle:	\ominus IEC 60947-5-1 slow action, NC contact with positive break
Connection:	screw terminals
Cable section:	max. 2.5 mm ² , min. 0.75 mm ² (incl. conductor ferrules)
Cable entry:	1 x M20
U _{imp} :	6 kV
connector:	0.8 kV
U _i :	500 V
connector:	50 V
I _{the} :	10 A
Utilization category:	AC-15
I _e /U _e :	4 A / 230 VAC 1 A / 24 VDC
connector:	4 A / 50 V
Max. fuse rating:	6 A gG D-fuse
Ambient temperature:	-30 °C ... +80 °C
Mechanical life:	> 1 million operations
Switching frequency:	max. 5,000/h
Positive break angle:	12.5°
Positive break torque:	0.185 Nm
Classification:	
Standards:	EN ISO 13849-1
B _{10d} (NC):	20,000,000
Mission time:	20 years
MTTF _d = $\frac{B_{10d}}{0,1 \times n_{op}}$	$n_{op} = \frac{d_{op} \times h_{op} \times 3600 \text{ s/h}}{t_{cycle}}$

Approvals



Ordering details

T1C 235-2-Z-3

No.	Option	Description
①	3	Left-hand version
	4	Swing-door version
	5	Right-hand version
②	01	1 NC
	02	2 NC
	11	1 NO / 1 NC
③	ST	Cable entry M12 (A-Coding)
	2310	(B-Coding)

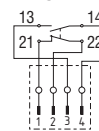
Note

Caution! The versions with connector may only be used in PELV circuits to EN 60204-1.

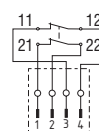
Connector

1 NO

1 NC

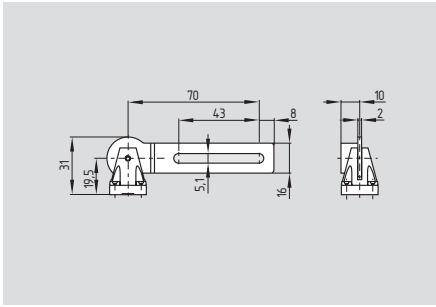


2 NC



Safety switch for hinged guards

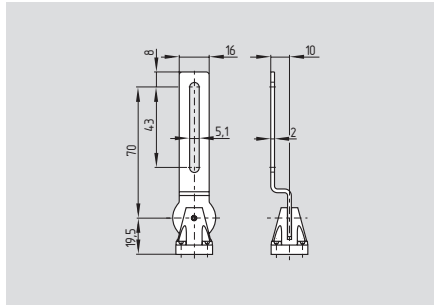
Left-hand version (3)



- Good resistance to oil and petroleum spirit
- Actuator heads can be repositioned by 4 x 90°
- Opening angle 180°

Closed guard device = 0° in contact switch travel diagrams.
This is the rest position of the switch

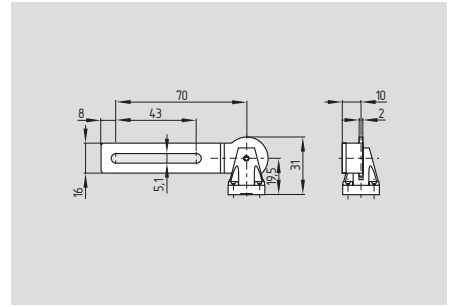
Swing-door version (4)



- Good resistance to oil and petroleum spirit
- Actuator heads can be repositioned in steps 4 x 90°
- Opening angle 2 x 90°

Closed guard device = 0° in contact switch travel diagrams.
This is the rest position of the switch

Right-hand version (5)



- Good resistance to oil and petroleum spirit
- Actuator heads can be repositioned by 4 x 90°
- Opening angle 180°

Closed guard device = 0° in contact switch travel diagrams.
This is the rest position of the switch

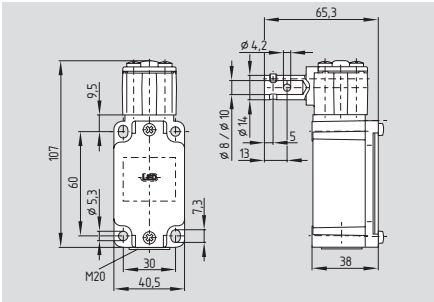
Contacts/ Switch travel	Slow action
1 NO / 1 NC	T3C 235-11Z T3C 236-11Z
1 NC	T3C 235-01Z T3C 236-01Z
2 NC	T3C 235-02Z T3C 236-02Z

Contacts/ Switch travel	Slow action
1 NO / 1 NC	T4C 235-11Z T4C 236-11Z
1 NC	T4C 235-01Z T4C 236-01Z
2 NC	T4C 235-02Z T4C 236-02Z

Contacts/ Switch travel	Slow action
1 NO / 1 NC	T5C 235-11Z T5C 236-11Z
1 NC	T5C 235-01Z T5C 236-01Z
2 NC	T5C 235-02Z T5C 236-02Z

Safety switch for hinged guards

TV.S 335



- Metal enclosure
- Good resistance to oil and petroleum spirit
- Actuator heads can be repositioned in steps 4 x 90° using Torx T 20 screwdriver and pin
- Actuator shaft can be turned 360°
- 1 cable entry M20
- LED version available
- Shaft bore Ø 8 mm or 10 mm

Technical data

Standards: IEC/EN 60947-5-1
EN ISO 13849-1
BG-GS-ET-15

Design: fixings to EN 50041

Enclosure: light-alloy diecast, paint finish

Protection class: IP67 to EN 60529

Contact material: silver

Contact type: change-over contact with double break Zb or 1 NC or 2 NC contacts, with galvanically separated contact bridges

Switching principle: ⊖ IEC 60947-5-1 slow action, NC contact with positive break screw terminals or connector

Connection:

Cable section: (rigid/flexible): min. 0.75 mm²
max. 2.5 mm²
(incl. conductor ferrules)

Cable entry: 1 x M20

U_{imp}: 6 kV
connector: 0.8 kV

U_i: 500 V
connector: 50 V

I_{the}: 10 A

Utilization category: AC-15, DC-13

I_e/U_e: 4 A / 230 VAC
4 A / 24 VDC
connector: 4 A / 50 V

Max. fuse rating: 6 A gG D-fuse (DIN EN 60269-1)

Ambient temperature: -25 °C ... +70 °C

Mechanical life: > 1 million operations

Switching frequency: max. 1,000/h

Shaft bore: Ø 8 mm / 10 mm

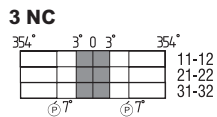
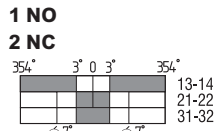
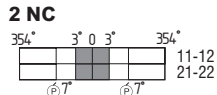
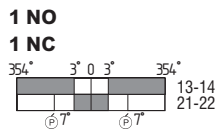
Positive break angle: 7°

Positive break torque: 0.6 Nm

Classification:
Standards: EN ISO 13849-1
B_{10d} (NC): 20,000,000
Mission time: 20 years

$$MTTF_d = \frac{B_{10d}}{0,1 \times n_{op}} \quad n_{op} = \frac{d_{op} \times h_{op} \times 3600 \text{ s/h}}{t_{cycle}}$$

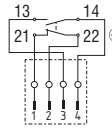
Contact variants



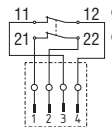
Connector

1 NO

1 NC



2 NC



Approvals

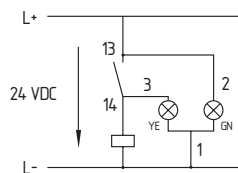


Ordering details

TV①S 335-②Z-③

No.	Option	Description	
①	8	Shaft bore Ø 8 mm	
	10	Shaft bore Ø 10 mm	
	②	02	2 NC
		03	3 NC
③	11	1 NO / 1 NC	
	12	1 NO / 2 NC	
		Cable entry M20	
	NPT	Cable entry NPT 1/2"	
	ST	Connector M12 (A-Coding)	
	2310	(B-Coding)	

Note



LED version:

Ordering suffix G24, only available for version with one NO and one NC contact. Protected against incorrect polarity and voltage spikes.

Note

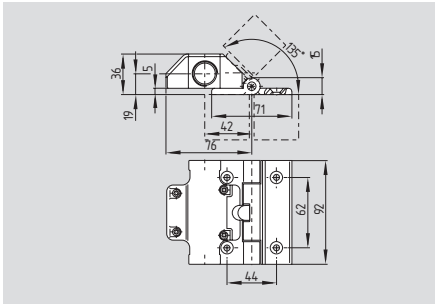
Closed guard device = 0° in contact switch travel diagrams. This is the rest position of switch.

Caution! The versions with connector may only be used in PELV circuits to EN 60204-1.

- Setting assistance: Grub screw for location, shaft pre-drilled for pin
- Universal joint available to compensate for axial displacement (only for shaft bore 10 mm), see the following pages 1-127.

Safety switch for hinged guards

TESZ



- Thermoplastic enclosure
- Double insulated □
- Simple mounting, especially on 40 mm profiles
- Good resistance to oil and petroleum spirit
- 2 cable entries M20
- For left or right hinged doors
- Fixing holes for M6 countersunk screws to DIN 965
- The additional hinge including mounting accessories is also available separately,

Technical data

Standards: IEC/EN 60947-5-1
BG-GS-ET-15

Enclosure: glass fiber reinforced thermoplastic, self-extinguishing

Hinge: aluminum

Protection class: IP65 to EN 60529

Contact material: silver

Contact type: change-over contact with double break, type Zb or 3 NC contacts

Switching principle: ⊖ IEC 60947-5-1
slow action,
NC contact with positive break

Connection: screw terminals

Cable section: max. 1 mm² (incl. conductor ferrules)

Cable entry: 2 x M20

U_{imp}: 2.5 kV

U_i: 250 V

I_{the}: 2.5 A

Utilization category: AC-15, DC-13

I_e/U_e: 2 A / 230 VAC
1 A / 24 VDC

Max. fuse rating: 2 A gG D-fuse

Ambient temperature: -25 °C ... +65 °C

Mechanical life: > 1 million operations

Switching frequency: max. 120/h

Positive break angle: 10°

Classification:

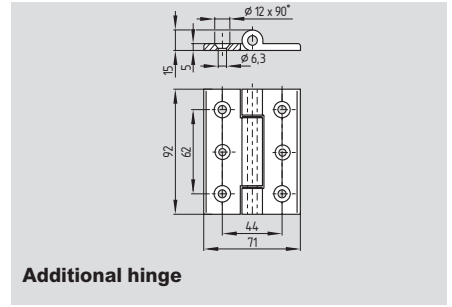
Standards: EN ISO 13849-1

B_{10d} (NC): 2,000,000

Mission time: 20 years

$$MTTF_d = \frac{B_{10d}}{0,1 \times n_{op}} \quad n_{op} = \frac{d_{op} \times h_{op} \times 3600 \text{ s/h}}{t_{cycle}}$$

System components



Additional hinge

Part numbers for extra hinges:

(no switch)	TESZ/S/30	for 30 mm profiles
	TESZ/S/35	for 35 mm profiles
	TES/S	for 40 mm profiles
	TES/S/45	for 45 mm profiles

Approvals



Ordering details

TESZ ①②③

No.	Option	Description
①	1102	1 NO/2 NC
	1110	3 NC
②	S	with extra hinge
		without extra hinge
③	30	30 mm profiles
	35	35 mm profiles
		40 mm profiles
	45	45 mm profiles

Note

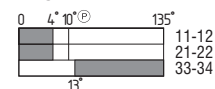
The opening angle has been set to 4° in factory.

Until the limit of the mechanical life has been reached the angle can increase up to 10° under normal wear-out conditions.

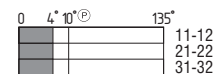
Contact variants

1 NO

2 NC

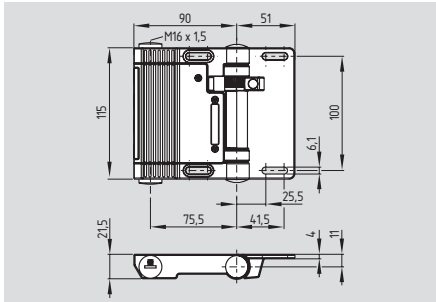


3 NC



Safety switch for hinged guards

TESF



- Metal enclosure
- Adjustable switching angle
- Opening angle 180°
- Mountable on the inside and the outside of the safety guard
- Screw terminals, cage clamps or connector
- Simple mounting, for all common profile systems (30 ... 60 mm)
- Oil and petroleum resistant
- 2 cable entries M16
- For left or right hinged doors

Technical data

Standards: IEC/EN 60947-5-1
BG-GS-ET-15

Enclosure: light-alloy diecast

Protection class: IP65 to EN 60529

Contact material: AgNi10

Contact type: 2x change-over contact with double break, type Zb

Switching principle: IEC 60947-5-1
⊖ slow action, NC contact with positive break screw terminals or cage clamps or connector

Connection: max. 1 mm² (incl. conductor ferrules)

Cable section: 2 x M16

Cable entry: 2.5 kV; 2.5 A

U_{imp} : ordering suffix ST1 and ST2: 0.8 kV

U_i : 250 V

I_{the} : 2.5 A

Utilization category: AC-15; DC-13

I_g/U_g : 2 A / 230 VAC; 1 A / 24 VDC

Max. fuse rating: 2 A gG D-fuse to DIN EN 60269-1

Ambient temperature: -25 °C ... +65 °C

Mechanical life: > 1 million operations

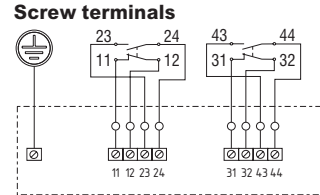
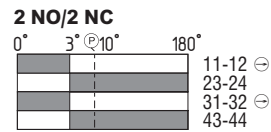
Switching frequency: 120/h

Positive break angle: 10°

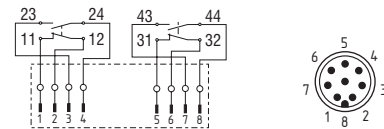
Classification:
Standards: EN ISO 13849-1
 B_{10d} (NC): 2,000,000
Mission time: 20 years

$MTTF_d = \frac{B_{10d}}{0,1 \times n_{op}}$ $n_{op} = \frac{d_{op} \times h_{op} \times 3600 \text{ s/h}}{t_{cycle}}$

Contact variants



Connector ST24.1 or ST24.2



Contact switch travel diagrams: 0° = safety guard closed.

The factory-set switching angle is 3°. The positive break angle is 5°. Until the limit of the mechanical life has been reached the angle can increase up to 8° under normal wear-out conditions.

The connector versions (ST1 and ST2) should only be used in PELV circuits to EN 60204-1..

Approvals



Ordering details

TESF ①-②③④

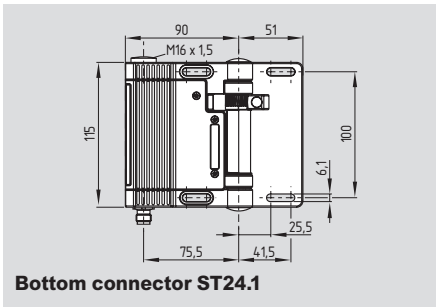
No.	Option	Description
①	A	no alignment aid with alignment aid
②	S	with extra hinge without extra hinge
③	ST24.1	Screw Terminals connector on bottom
④	ST24.2	connector on top
	180	for inside mounting
	0	for outside mounting
	U	Adjustable switch point

Note

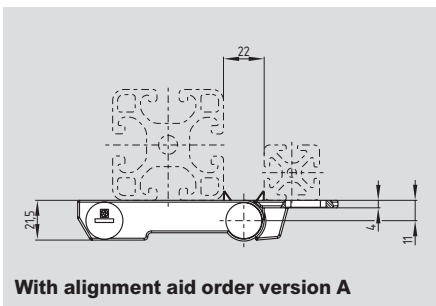
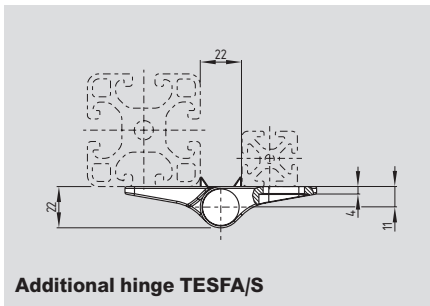
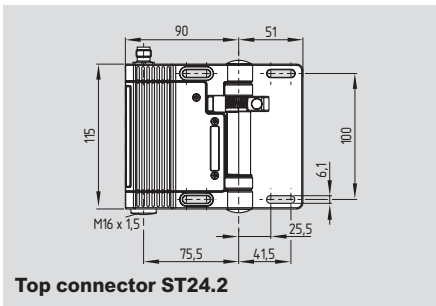
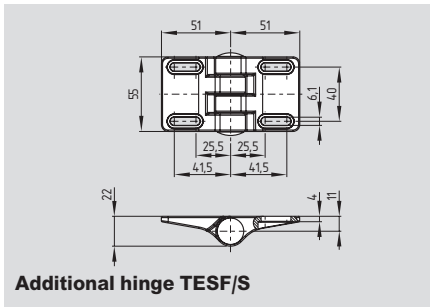
The connector versions (ST1 and ST2) should only be used in PELV circuits to EN 60204-1..

Safety switch for hinged guards

System components



System components



Ordering details

Connector M12, 8 pins, 24 VDC,
bottom **ST24.1**
top **ST24.2**

With alignment aid **order version A**

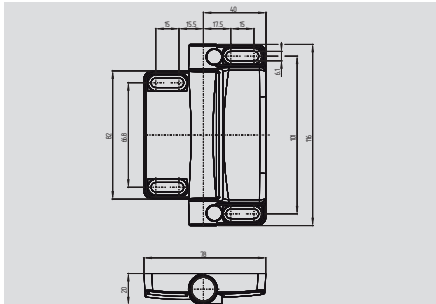
Ordering details

Additional hinge
without alignment aid **TESF/S**
with alignment aid **TESFA/S**

Adjustment tool **TESF-14**

Safety switch for hinged guards

TESK



- Metal enclosure
- **Opening angle 270°**
- Adjustable switching angle
- Mountable on the inside and the outside of the safety guard
- M12 connector or prewired cable
- Simple mounting, for all common profile systems (30 ... 60 mm)
- Up to 4 contacts
- Extended hinge half with extra mounting holes for plastic or plexiglass doors
- For left or right hinged doors

Technical data

Standards: IEC/EN 60947-5-1
BG-GS-ET-15

Enclosure: Zinc diecast
with thermoplastic enclosure covers

Hinge pin: Galvanized steel/ SteelC45

Protection class: IP65 to EN 60529

Contact material: silver, gold plated

Contact type: change-over contact
with double break, type Zb

Switching principle: \ominus IEC 60947-5-1
slow action, NC contact with positive break

Connection: connector M12, or cable

Connector: M12, 5-pole or 8-pole, A coded

Cable section:
Y-UL 2464 / 9 x AWG 22 / 9 x 0.34 mm²
Y-UL 2464 / 5 x AWG 22 / 5 x 0.34 mm²

Switching angle: 3° from zero point

Forced opening angle: 10° from zero point

Maximum swivel angle: 270°

Utilization category: AC-15; DC-13

Rated operating current / voltage (I_e/U_e):

-Cable 2 A / 230 VAC; 1 A / 24 VDC

-Connector 1 A / 24 VDC

Max. fuse rating: 2 A gG D-fuse

Ambient temperature: -25 °C ... +65 °C

Storage/transport temp: -40 °C ... +85 °C

Mechanical breaking load: 5,000 N

Mechanical life: > 1 million operations
relates to opening angle of 90°, without passing
over the switch point. Moving over the switch
point reduces the life cycle.

Switching frequency: max. 120 operations/h

Classification:

Standards: EN ISO 13849-1

Classification: applicable up to cat 1 / PLc
Classification, 2 channel usage:
applicable up to cat 3/PLd w/ suitable logic unit

B_{10d} (NC): 20,000,000

B_{10d} (NO): 1,000,000

for max. 10% ohmic contact load

Service life: 20 years

System components



Approvals



Ordering details

TESK-①②-③④

No.	Option	Description
①	S	Standard hinge
	L	Long hinge half
②	A	Preset for outside mounting
	I	Preset for inside mounting
	U	Adjustable switch point
③	22	2 NO & 2 NC contacts
	12	1 NO & 2 NC contacts
	13	1 NO & 3 NC contacts
	02	2 NC contacts
	11	1 NO & 1 NC contacts
④	ST1	Connector, bottom
	ST2	Connector, top
	L1	1 m Cable, bottom
	L2	1 m Cable, top

Notes

L1 & L2 versions also available with 3, 5, or 10 meter cable. Consult factory

The versions -22ST, -13ST, and -12ST should only be used in PELV circuits to EN 60204-1.

Ordering details

Additional hinge - ordered separately identical housing but without contacts

Standard version **TESK-ZS**
Long hinge half version **TESK-ZL**

Adjustment tool **TESF-14**
included with -U version switches

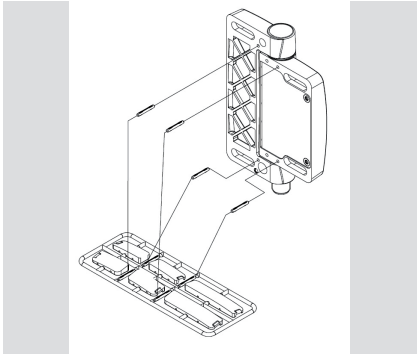
Connection cables:

M12, 8-pole
Cable length 5 m **103011412**
Cable length 10 m **103011413**

M12, 5 pin:
Cable length 5 m **103010816**
Cable length 10 m **103010820**

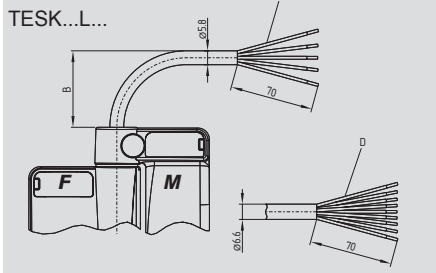
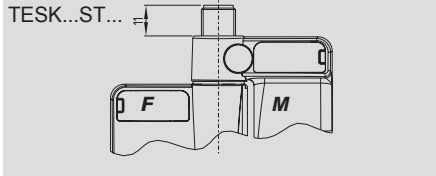
Safety switch for hinged guards

Mounting



To facilitate alignment of the switch to the post, alignment pins can be inserted into corresponding holes in the bottom of the switch. Alignment pins are supplied with the mounting hole covers.

Dimensions of connection types:



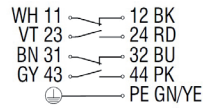
- B = Minimum bending radius of the connection cable
- C = Cable 5-core (B = 29 mm)
- D = Cable 9-core (B = 33 mm)

Notes

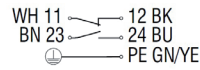
The connector and cable are fixed to the half containing the contacts (F). This half should be mounted to the housing, with half M mounted to the movable guard door. If half F is mounted to the movable door, torsion and twisting of the connected cable will occur and cause wear on the wires.

Contact variants

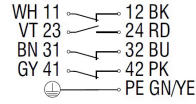
TESK...22L...



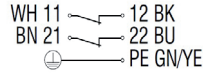
TESK...11L...



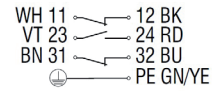
TESK...13L...



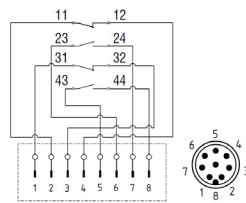
TESK...02L...



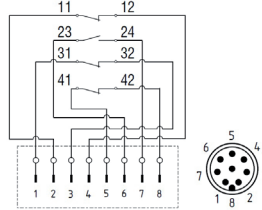
TESK...12L...



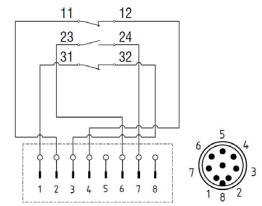
TESK...22ST...



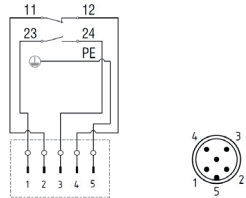
TESK...13ST...



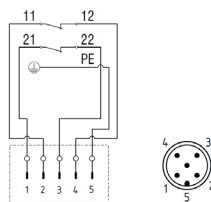
TESK...12ST...



TESK...11ST...

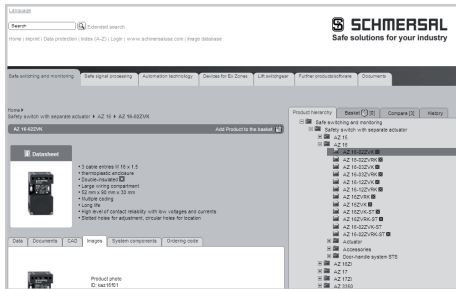


TESK...02ST...



Contact variants: shown with safety guard closed.

We make designing your system easy.



Online Product Catalog

www.usa.schmersal.net

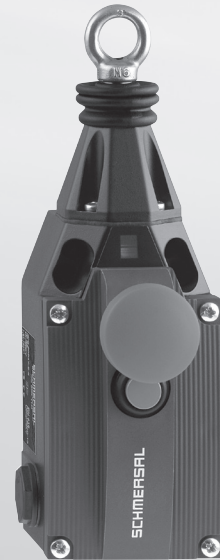
Images available online

Every part number page has an **Image** tab where you can view or download JPG or EPS images of the product, dimensional drawings, switch travel diagrams, or contact diagrams.

The **CAD** tab also has links to download CAD drawings of the part in many popular program formats, so they can be directly incorporated into CAD systems designs.

Safe switching and monitoring

Command devices with safety function



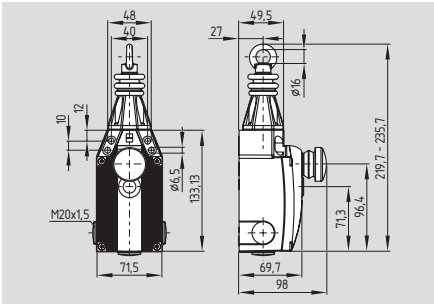
The control devices of the Schmersal Group always ensure a safe and reliable transmission of the operator's commands, regardless if safe stopping from dangerous movements or start-up of critical machine functions are concerned.

Apart from many special constructive features, these devices have a long life and an intelligent ergonomic construction.

Pull-wire Emergency-Stop switches	2-2
Emergency-Stop buttons	2-9
Control panel	2-14
Enabling switches	2-22
Safety foot switches	2-24
Two-hand control panels	2-26
Program extensions	2-30

Pull-wire Emergency-Stop switches

ZQ 900



- To EN ISO 13850 / IEC 60947-5-5
- Metal enclosure
- 4 contacts
- Position indicator
- Robust design
- Large wiring compartment
- 3 cable entries M20
- One tension force for wire lengths from 5 to 75 m
- Reset pushbutton
- Twisting of connection ring not possible
- Optional signaling lamp
- External watertight collar
- Wire pull and breakage function
- EX version available
- AS-Interface Safety at Work available

Approvals



Ordering details

ZQ 900-①②

No.	Replace	Description
①	11	1 NO/1 NC
	13	1 NO/3 NC
	22	2 NO/2 NC
	02	2 NC
	04	4 NC
②		Without emergency-stop pushbutton
	N	With emergency-stop pushbutton

Technical data

Standards: IEC/EN 60947-5-1
IEC/EN 60947-5-5
EN ISO 13850

Enclosure: zinc die-cast, enameled

Cover: thermoplastic

Protection class: IP65, IP67
suffix N: IP65
to IEC/EN 60529

Contact material: silver

Contact type: 1 NC/1 NO
or 2 NC/2 NO
or 3 NC/1 NO

Switching principle: IEC 60947-5-1
snap action with positive break NC contacts

Connection: screw terminals

Cable section: max. 2.5 mm²
(incl. conductor ferrules)

Cable entry: 3 x M20

U_{imp}: 6 kV

U_i: 500 V

I_{the}: 6 A

Utilization category: AC-15, DC-13

I_e/U_e: 4 A / 230 VAC
1 A / 24 VDC

Max. fuse rating: 6 A gG D-fuse
to DIN EN 60269-1

Ambient temperature: -25 °C ... +70 °C

Mechanical life: > 1 million operations

Indicator lamp: optionally

Maximum cable length: 75 m
(please observe ambient temperature range and wire supports)

Features: wire pull and breakage detection

Classification:

Standards: EN ISO 13849-1

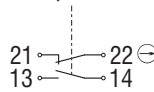
B_{10d} (NC): 100,000

Mission time: 20 years

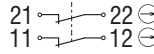
$$MTTF_d = \frac{B_{10d}}{0,1 \times n_{op}} \quad n_{op} = \frac{d_{op} \times h_{op} \times 3600 \text{ s/h}}{t_{cycle}}$$

Contact variants

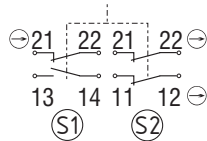
1 NO/1 NC



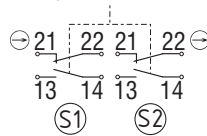
2 NC



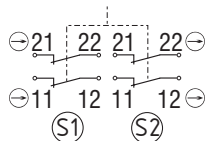
1 NO/3 NC



2 NO/2 NC

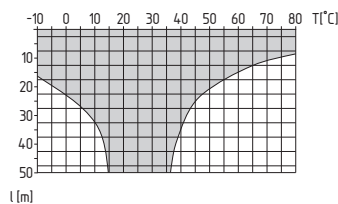


4 NC



Note

Recommended cable lengths for pull-wire Emergency-Stop switches in relation to the range of ambient temperature.
At 5 m distance intermediate wire supports are required, see accessories.



Note

The screwed PL-M20-24V indicator lamp must be ordered separately, see accessories.

The protection class for ordering suffix N is IP65 to IEC/EN 60529.

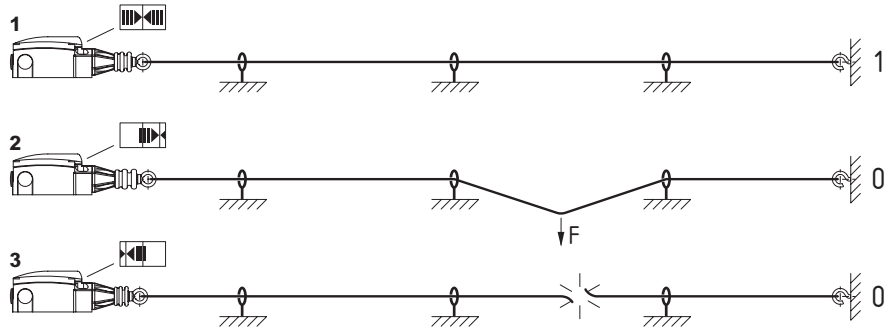
Pull-wire Emergency-Stop switches

Mode of operation

Legend

- 1 Not actuated
- 2 Wire pull detection
- 3 Wire breakage detection

Wire pull and breakage detection



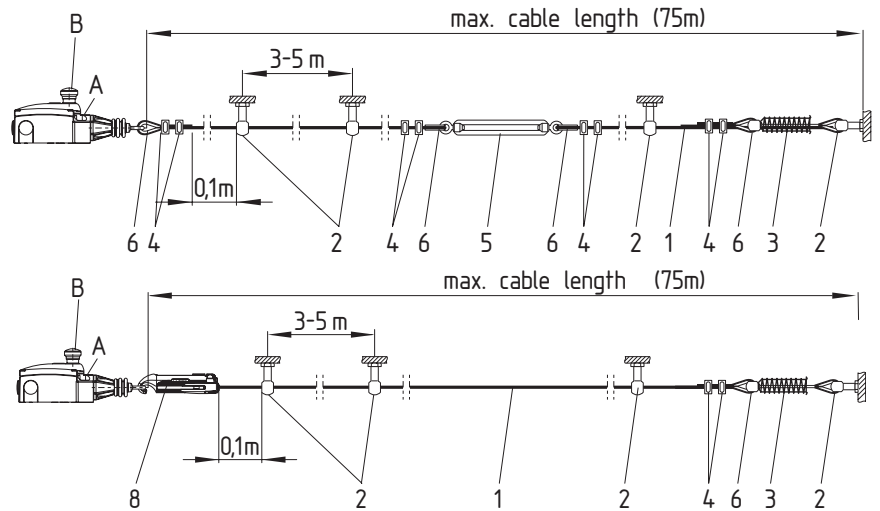
Mounting instructions

Legend

- 1 Wire rope (STQ441-SC)
- 2 Eyebolt (STQ441-EB)
- 3 Spring (RZ-2041)
- 4 Wire clamp (STQ441-CC)
- 5 Tensioner (STQ441-TB)
- 6 Wire thimble (STQ441-TH)
- 7 Shackle (S900-SH)
- 8 Rope tensioner (S900)

- A Position indicator
- B Emergency-stop pushbutton
- C Reset button

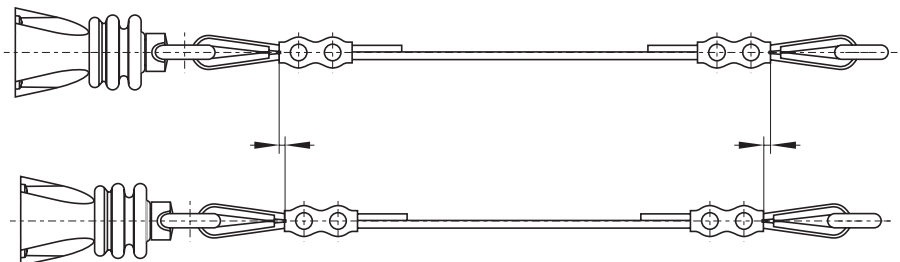
One-side operation



Mounting instructions

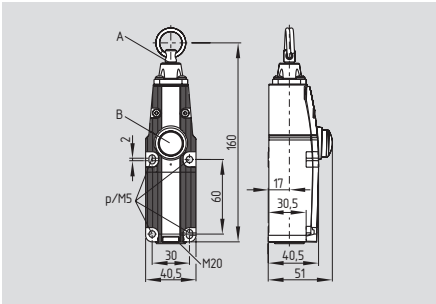
As the thimbles are subject to deformation in case of wire pull, the wire should be pulled several times after fitting. After that, the wire must be re-tensioned using the eyebolt or the tensioner.

Thimble deformation



Pull-wire Emergency-Stop switches

ZQ 700



- To EN ISO 13850 / IEC 60947-5-5
- Thermoplastic enclosure
- Double insulated □
- 2 contacts
- Position indicator
- Large wiring compartment
- 1 cable entry M20
- One tension force for wire lengths up to 10 m
- Reset button
- Twisting of connection ring not possible
- Wire pull and breakage function
- AS-Interface Safety at Work available

Technical data

Standards: IEC/EN 60947-5-1
IEC/EN 60947-5-5
EN ISO 13850
Enclosure: thermoplastic
Cover: thermoplastic
Protection class: IP67 to IEC/EN 60529
Contact material: silver
Contact type: 1 NC/1 NO
or 2 NC
Switching principle: ⊖ IEC 60947-5-1
snap action with positive
break NC contacts

Connection: screw terminals
Cable section: max. 2.5 mm²
(incl. conductor ferrules)

Cable entry: 1 x M20
U_{imp}: 6 kV
U_i: 500 V
I_{thc}: 10 A
Utilization category: AC-15, DC-13
I_e/U_e: 4 A / 230 VAC
4 A / 24 VDC

Max. fuse rating: 6 A gG D-fuse
to DIN EN 60269-1

Ambient temperature: -25 °C ... +70 °C

Mechanical life: > 1 million operations

Maximum cable length: 10 m
(please observe ambient
temperature range
and wire supports)

Features: wire pull and
breakage detection

Classification:

Standards: EN ISO 13849-1

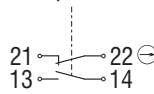
B_{10d} (NC): 100,000

Mission time: 20 years

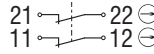
$$MTTF_d = \frac{B_{10d}}{0,1 \times n_{op}} \quad n_{op} = \frac{d_{op} \times h_{op} \times 3600 \text{ s/h}}{t_{cycle}}$$

Contact variants

1 NO/1 NC



2 NC



Approvals



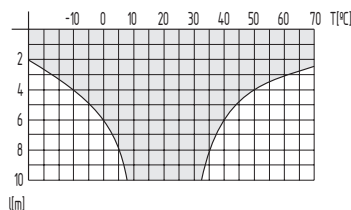
Ordering details

ZQ 700-①

No.	Replace	Description
①	11	1 NO/1 NC
	02	2 NC

Note

Recommended cable lengths for pull-wire
Emergency-Stop switches in relation to the
range of ambient temperature.
At 2 to 5 m distance intermediate wire supports
are required, see accessories.



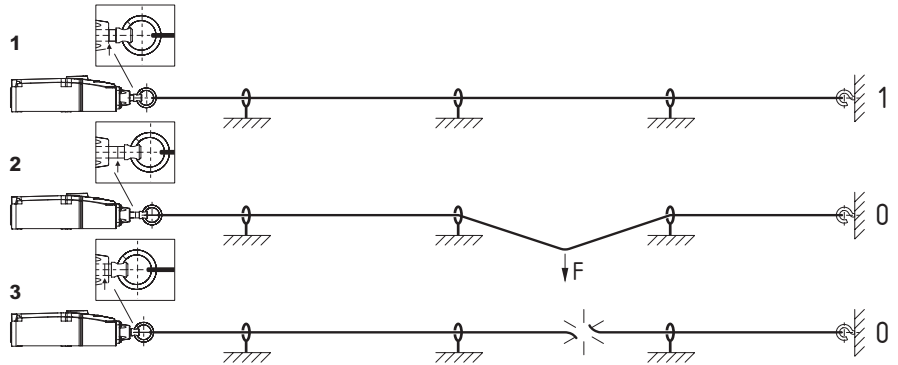
Pull-wire Emergency-Stop switches

Mode of operation

Legend

- 1 Not actuated
- 2 Wire pull detection
- 3 Wire breakage detection

Wire pull and breakage detection



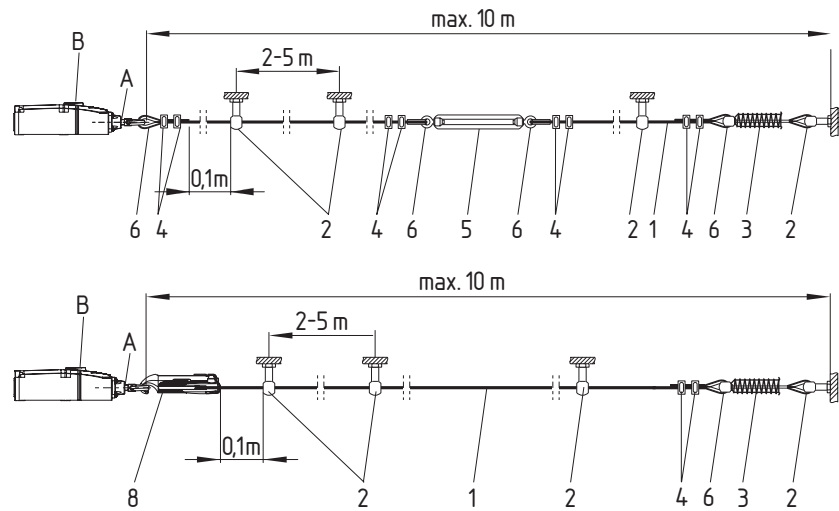
Mounting instructions

Legend

- 1 Wire rope (STQ441-SC)
- 2 Eyebolt (STQ441-EB)
- 3 Spring (RZ-173I)
- 4 Wire clamp (STQ441-CC)
- 5 Tensioner (STQ441-TB)
- 6 Wire thimble (STQ441-TH)
- 7 Shackle (S900-SH)
- 8 Rope tensioner (S900)

- A Position indicator
- B Reset button

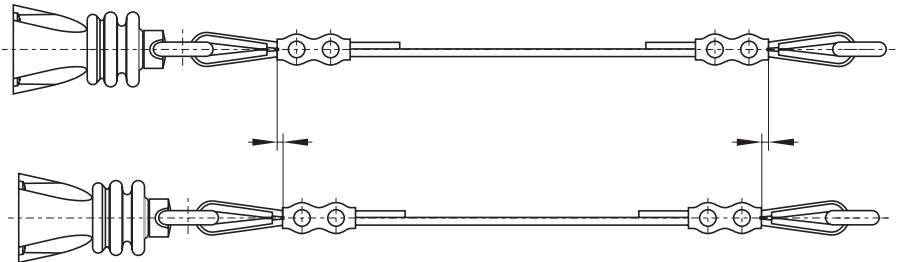
One-side operation



Mounting instructions

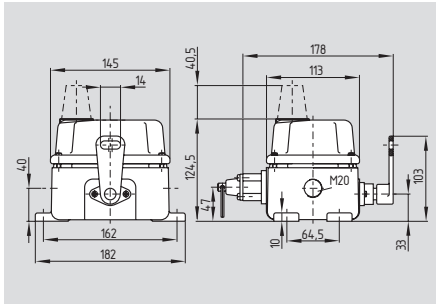
As the thimbles are subject to deformation in case of wire pull, the wire should be pulled several times after fitting. After that, the wire must be re-tensioned using the eyebolt or the tensioner.

Thimble deformation



Pull-wire Emergency-Stop switches

T3Z 068



- To EN ISO 13850 / IEC 60947-5-5
- Metal enclosure
- Up to 6 contacts
- Robust design
- 2 cable entries M20
- Low actuating force
- Bi-directional actuation
- Wire up to 2 x 50 m long
- Reset by pull-ring or key possible
- Signalling lamp available on request for various voltage

Technical data

Standards: IEC/EN 60947-5-1
IEC/EN 60947-5-5
EN ISO 13850

Enclosure: cast iron, enamel finish
Cover: cast iron, enamel finish
Protection class: IP65 to EN 60529
Contact material: silver
Contact type: change-over contact with double break, max. 3 NO and 3 NC contacts

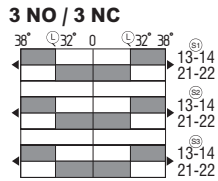
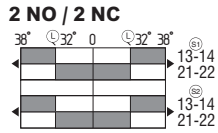
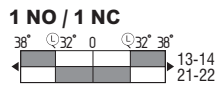
Switching principle: IEC 60947-5-1 snap action with positive break NC contacts
Connection: screw terminals
Cable section: max. 1.5 mm²
min. 0.75 mm²
(incl. conductor ferrules)
Cable entry: 2 x M20

U_{imp} : 4 kV
 U_i : 250 VAC
 I_{the} : 10 A
Utilization category: AC-15, DC-13
 I_e/U_e : 2.5 A / 230 VAC
6 A / 24 VDC
Max. fuse rating: 6 A gG D-fuse
Positive break torque: 1.8 Nm
Angle for positive break travel: 32°
Positive break force: 50 N
Actuating force: max. 50 N
(30 N in direction of rope)
Ambient temperature: -30 °C ... +90 °C
Mechanical life: 50,000 operations
Indicator lamp: yellow 230 VAC/5 W, BA 15D screw socket
Maximum cable length: 2 x 50 m
Features: wire pull and breakage detection

Classification:
Standards: EN ISO 13849-1
 B_{10d} (NC): 100,000
Mission time: 20 years

$$MTTF_d = \frac{B_{10d}}{0,1 \times n_{op}} \quad n_{op} = \frac{d_{op} \times h_{op} \times 3600 \text{ s/h}}{t_{cycle}}$$

Contact variants



Approvals



Ordering details

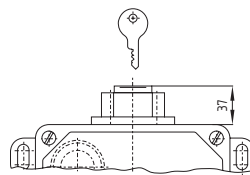
T3Z 068-①YR②③

No.	Replace	Description
①	11	1NO/1NC
	22	2NO/2NC
	33	3NO/3NC
②	S	Pull-ring reset Key reset
③	G	Without indicator lamp With indicator lamp

Note

At 3 m distance intermediate wire supports are required, see accessories

Note



Reset by key

Pull-wire Emergency-Stop switches

System components



Eyebolt

System components



Wire thimble

System components



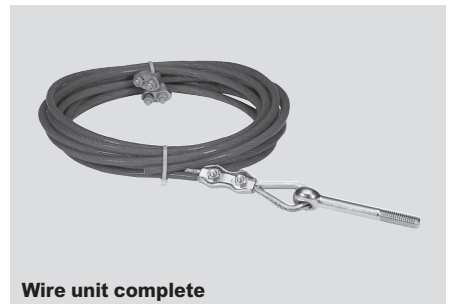
Wire rope



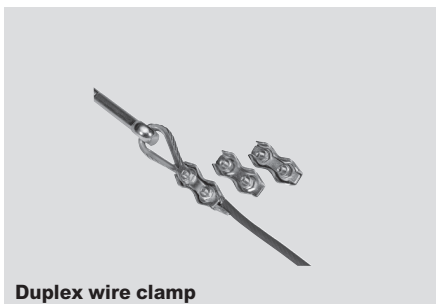
Wire clamp



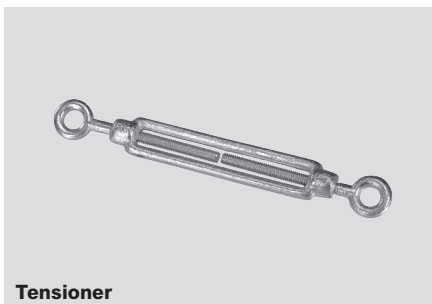
Pulley



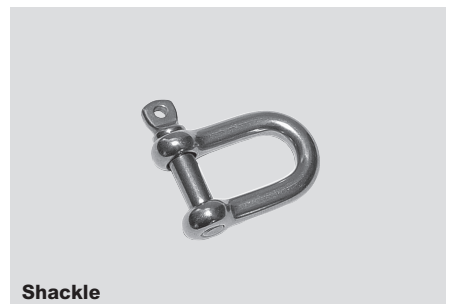
Wire unit complete



Duplex wire clamp



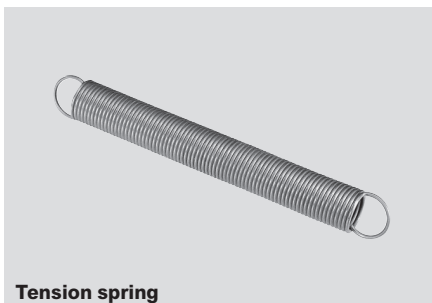
Tensioner



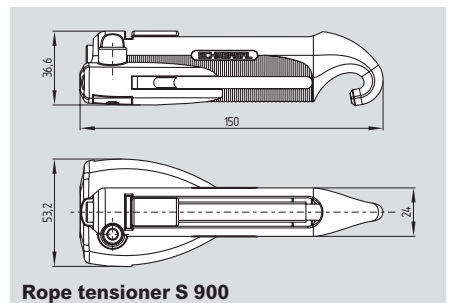
Shackle



Egg-shaped wire clamp



Tension spring



Rope tensioner S 900

Ordering details

Eyebolt with Nut (STQ441-EB) BM 10 x 40	101084928
BM 8 x 70 (stainless steel)	101192471
Wire clamp (STQ441-CC) 5 mm (stainless steel)	101203478
Duplex wire clamp 3 mm (stainless steel)	101190917
Egg-shaped wire clamp	101077072

Components identical to image. The dimensions and the design could vary!

Ordering details

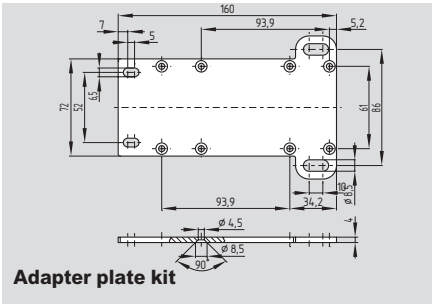
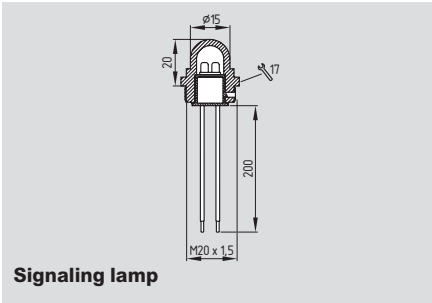
Wire thimble (STQ441-TH) 5 mm (stainless steel)	101203476
Pulley (STQ441-PU) (stainless steel)	101144547
Tensioner M6 (STQ441-TB)	101087930
Tension spring (STQ441-SS) RZ-136E (only for T3Z 068)	101087931
RZ-2041 (only for TQ/ZQ 900)	101186696
RZ-1731 (only for TQ 700)	103005863

Ordering details

Wire rope (per foot) (STQ441-SC)	on request
Wire unit complete	on request
Shackle (stainless steel) (S900-SH)	101186490
Rope tensioner S 900	101186704

Pull-wire Emergency-Stop switches

System components

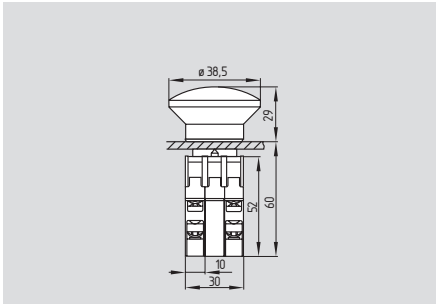


Ordering details

Signaling lamp PL-M20-24V (LED 24 VDC)	101150877
Signaling lamp PL-M20-120V (LED 120 VDC)	801000432
Adapter plate kit	101193805

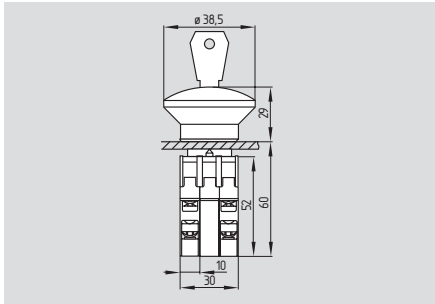
Emergency-Stop push button

EDRRZ 40 RT



- Metal operator head
- To EN ISO 13850 / IEC 60947-5-5
- Max. 2 NC and 2 NO or 4 NC contacts
- Projection from front of panel 29 mm
- For mounting holes Ø 22.3 mm
- Selection of terminal designations available
- Pull to reset

EDRRS 40 RT



- Reset by key
- To EN ISO 13850 / IEC 60947-5-5

Technical data

Standards: IEC/EN 60947-5-5, EN ISO 13850
 Operators: aluminum
 Protection class: IP65 to EN 60529
 Contact material: silver
 Switching principle: ⊖ IEC 60947-5-1 slow action
 Contact type: change-over contact, 2 NC contacts combined as desired
 Connection: screw terminals
 WAGO clip-in terminals on request
 Cable section: max. 2.5 mm²
 I_{the}: 10 A
 U_i: 400 V
 I_e/U_e: 8 A / 230 VAC, 5 A / 24 VDC
 Utilization category: AC-15, DC-13
 Max. fuse rating: 10 A gG D-fuse
 Contact opening: > 2 x 1.25 mm
 Bounce duration: < 5 ms at 100 mm/s
 Ambient temperature: -25 °C ... +80 °C (-40 °C on request)

Mechanical life:
 - operators: > 100,000 operations
 - contact blocks: 10 million operations
 Switching frequency: 600/h
 Resistance to shock: max. 70 g / 4 ms,
 - contact block: 110 g / 4 ms
 Push button Ø: 38.5 mm
 Mounting hole Ø: 22.3 mm

Classification:
 Standards: EN ISO 13849-1
 B_{10d} (NC): 100,000
 Mission time: 20 years

$$MTTF_d = \frac{B_{10d}}{0,1 \times n_{op}} \quad n_{op} = \frac{d_{op} \times h_{op} \times 3600 \text{ s/h}}{t_{cycle}}$$

Approvals



Ordering details

EDRR^① 40 RT

No.	Option	Description
①	Z	Pull reset
	S	Key reset

Order contact blocks separately:

- 1 NO / 1 NC contact block, pos. 1
- 1 NO / 1 NC contact block, pos. 2
- 2 NC contact block, pos. 1
- 2 NC contact block, pos. 2
- Spring element, for pos. 3

EF 303.1
EF 303.2
EF 220.1
EF 220.2
EFR

Approvals

Note

Other product variants:

- Diameter 16.2 mm and 30.5 mm
- Different diameters for the actuating heads
- Contact elements with push-on spades and (WAGO cage clamps)
- Optionally also completely mounted

ISO 13850 requires red Emergency Stop buttons be mounted on a yellow background. For a variety of yellow housings or labels, see "System components" on page 2-13

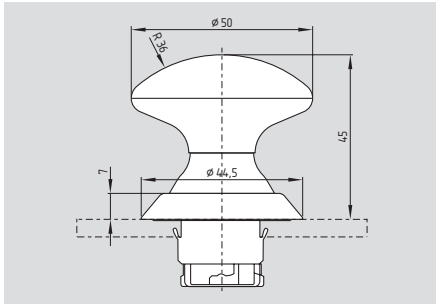
Note

In order to avoid repeating of the same terminal designations in wiring diagrams, contact blocks with the same contact configuration are available with different terminal designations.

Max. 2 NC and 2 NO or 4 NC contacts

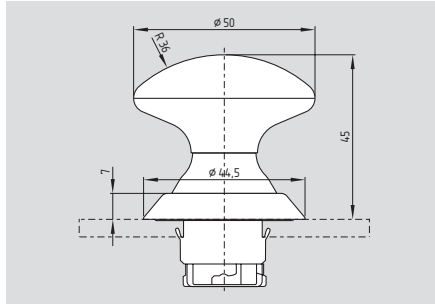
Emergency-Stop push button

NDRR 50 RT



- Thermoplastic operator head
- To EN ISO 13850 / IEC 60947-5-5
- Max. 2 NC and 2 NO or 4 NC contacts
- Projection from front of panel 45 mm
- For mounting holes Ø 22.3 mm
- Selection of terminal designations available
- Pull to reset
- IP69K Rated for high temp, high pressure wash downs.
- Separate spring element EFR needed

NDRZ 50 RT



- Thermoplastic operator head
- To EN ISO 13850 / IEC 60947-5-5
- Max. 2 NC and 2 NO or 4 NC contacts
- Projection from front of panel 45 mm
- For mounting holes Ø 22.3 mm
- Selection of terminal designations available
- Pull to reset
- IP69K Rated for high temp, high pressure wash downs
- Integrated spring element in device head

Technical data

Standards:	IEC/EN 60947-5-5 EN ISO 13850
Operators:	glass fiber reinforced thermoplastic, self-extinguishing
Protection class:	IP67 to EN 60529, IP69K to DIN40050
Contact material:	silver
Switching principle:	⊖ IEC 60947-5-1 slow action
Contact type:	change-over contact, 2 NC contacts combined as desired
Connection:	screw terminals WAGO clip-in terminals on request
Cable section:	max. 2.5 mm ²
U _{imp} :	–
U _i :	400 V
I _e /U _e :	8 A / 230 VAC 5 A / 24 VDC
Utilization category:	AC-15, DC-13
Max. fuse rating:	10 A gG D-fuse
Switching capacity:	–
Contact opening:	> 2 x 1.25 mm
Switchover time:	–
Bounce duration:	< 5 ms at 100 mm/s
Ambient temperature:	-25 °C ... +80 °C
Mechanical life:	
- operators:	> 100,000 operations /
- contact blocks:	10 million operations
Switching frequency:	operator: 1,000/h contacts: 1,200/h
Resistance to shock:	max. 70 g / 4 ms,
- contact block:	110 g / 4 ms
Push button Ø:	50 mm
Mounting hole Ø:	22.3 mm
Classification:	
Standards:	EN ISO 13849-1
B _{10d} (NC):	100,000
Mission time:	20 years

$$MTTF_d = \frac{B_{10d}}{0,1 \times n_{op}} \quad n_{op} = \frac{d_{op} \times h_{op} \times 3600 \text{ s/h}}{t_{cycle}}$$

Approvals



Ordering details

NDRR 50 ① RT

No.	Option	Description
①	GR/	White sealing bellows Black sealing bellows

Order contact blocks separately:
 1 NO / 1 NC contact block, pos. 1
 1 NO / 1 NC contact block, pos. 2
 2 NC contact block, pos. 1
 2 NC contact block, pos. 2
 Spring element, for pos. 3

EF 303.1
EF 303.2
EF 220.1
EF 220.2
EFR

Note

NDRZ 50 ① RT

No.	Option	Description
①	GR/	White sealing bellows Black sealing bellows

Order contact blocks separately:
 1 NO / 1 NC contact block, pos. 1
 1 NO / 1 NC contact block, pos. 2
 2 NC contact block, pos. 1
 2 NC contact block, pos. 2

EF 303.1
EF 303.2
EF 220.1
EF 220.2

Note

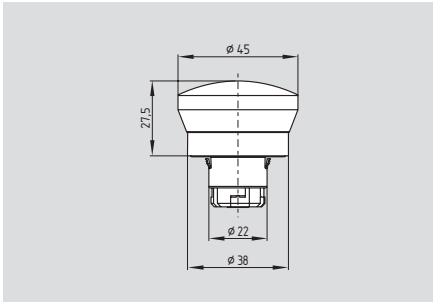
In order to avoid repeating of the same terminal designations in wiring diagrams, contact blocks with the same contact configuration are available with different terminal designations.

Max. 2 NC and 2 NO or 4 NC contacts

SO 13850 requires red Emergency Stop buttons be mounted on a yellow background. For a variety of yellow housings or labels, see "System components" on page 2-13

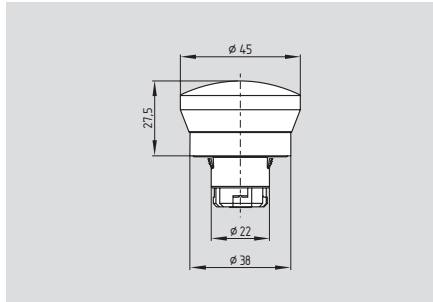
Emergency-Stop push button

RDRZ 45 RT



- Metal operator head - Aluminum
- To EN ISO 13850 / IEC 60947-5-5
- Max. 2 NC and 2 NO or 4 NC contacts
- Projection from front of panel 27.5 mm
- For mounting holes Ø 22.3 mm
- Selection of terminal designations available
- Pull to reset
- Integrated spring element

EX-RDRZ 45 RT



- Metal operator head - Brass
- Explosion protection version: intrinsically safe
- ATEX Zones 1, 2, 21, 22
- Must use EX-RF terminal blocks

Technical data

Standards:	IEC/EN 60947-5-5, EN ISO 13850
Operators:	RDRZ: aluminum EX-RDRZ: Brass
Protection class:	IP65 to EN 60529
Contact material:	silver
Switching principle:	⊖ IEC 60947-5-1 slow action
Contact type:	change-over contact, 2 NC contacts combined as desired
Connection:	screw terminals WAGO clip-in terminals on request
Cable section:	max. 2.5 mm ²
I _{the} :	10 A
U _i :	400 V
I _e /U _e :	8 A / 230 VAC 5 A / 24 VDC
Utilization category:	AC-15, DC-13
Max. fuse rating:	10 A gG D-fuse
Contact opening:	> 2 x 1.25 mm
Bounce duration:	< 5 ms at 100 mm/s
Ambient temperature:	-25 °C ... +75 °C
Mechanical life:	
- operators:	> 100,000 operations
- contact blocks:	10 million operations
Switching frequency:	operator: 1,000/h contacts: 1,200/h
Resistance to shock:	max. 70 g / 4 ms,
- contact block:	110 g / 4 ms
Push button Ø:	38.5 mm
Mounting hole Ø:	22.3 mm
Classification:	
Standards:	EN ISO 13849-1
B _{10d} (NC):	100,000
Mission time:	20 years

$$MTTF_d = \frac{B_{10d}}{0,1 \times n_{op}} \quad n_{op} = \frac{d_{op} \times h_{op} \times 3600 \text{ s/h}}{t_{cycle}}$$

Approvals



Ordering details

RDRZ 45 RT

Contact blocks:

- 1 NO contact block, terminals 3, 4
- 1 NO contact block, terminals 13, 14
- 1 NC contact block, terminals 1, 2
- 1 NC contact block, terminals 11, 12

- RF03**
- RF03.1**
- RF10**
- RF10.1**

Approvals

Ordering details

EX-RDRZ 45 RT

Contact blocks:

- 1 NO contact block, terminals 3, 4
- 1 NO contact block, terminals 13, 14
- 1 NC contact block, terminals 1, 2
- 1 NC contact block, terminals 11, 12

- EX-RF03**
- EX-RF03.1**
- EX-RF10**
- EX-RF10.1**

Note

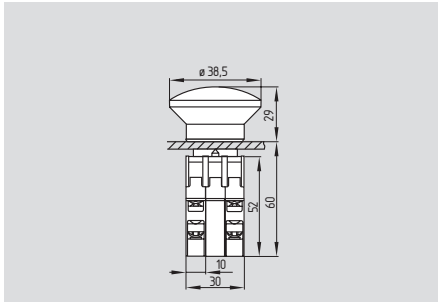
In order to avoid repeating of the same terminal designations in wiring diagrams, contact blocks with the same contact configuration are available with different terminal designations.

Max. 2 NC and 2 NO or 4 NC contacts

ISO 13850 requires red Emergency Stop buttons be mounted on a yellow background. For a variety of yellow housings or labels, see "System components" on page 2-13

Emergency-Stop push button

KDRRKZ 40 RT



- Thermoplastic operator head
- To EN ISO 13850 / IEC 60947-5-5
- Max. 2 NC and 2 NO or 4 NC contacts
- Projection from front of panel 29 mm
- For mounting holes Ø 22.3 mm
- Selection of terminal designations available
- Pull to reset

Technical data

Standards: IEC/EN 60947-5-5
EN ISO 13850

Operators: glass fiber reinforced thermoplastic, self-extinguishing

Protection class: IP65 to EN 60529

Contact material: silver

Switching principle: ⊖ IEC 60947-5-1
slow action

Contact type: change-over contact,
2 NC contacts combined as desired

Connection: screw terminals

WAGO clip-in terminals on request

Cable section: max. 2.5 mm²

U_{imp}: –

U_i: 400 V

I_e/U_e: 8 A / 230 VAC

5 A / 24 VDC

Utilization category: AC-15, DC-13

Max. fuse rating: 10 A gG D-fuse

Switching capacity: –

Contact opening: > 2 x 1.25 mm

Switchover time: –

Bounce duration: < 5 ms at 100 mm/s

Ambient temperature: -25 °C ... +80 °C
(-40 °C on request)

Mechanical life:

- operators: > 100,000 operations /

- contact blocks: 10 million operations

Switching frequency: 600/h

Resistance to shock: max. 70 g / 4 ms,

- contact block: 110 g / 4 ms

Push button Ø: 38.5 mm

Mounting hole Ø: 22.3 mm

Classification:

Standards: EN ISO 13849-1

B_{10d} (NC): 100,000

Mission time: 20 years

$$MTTF_d = \frac{B_{10d}}{0,1 \times n_{op}} \quad n_{op} = \frac{d_{op} \times h_{op} \times 3600 \text{ s/h}}{t_{cycle}}$$

Contact variants

1 NO / 1 NC

EF 303.1



EF 303.2



2 NC

EF 220.1



EF 220.2



Approvals



Ordering details

KDRRKZ 40 RT

Order contact blocks separately:

1 NO / 1 NC contact block, pos. 1

1 NO / 1 NC contact block, pos. 2

2 NC contact block, pos. 1

2 NC contact block, pos. 2

Spring element, for pos. 3

EF 303.1

EF 303.2

EF 220.1

EF 220.2

EFR

Note

Other product variants:

- Diameter 16.2 mm and 30.5 mm
- Different diameters for the actuating heads
- Contact elements with push-on spades and (WAGO cage clamps)
- Optionally also completely mounted

ISO 13850 requires red Emergency Stop buttons be mounted on a yellow background.

For a variety of yellow housings or labels, see "System components" on page 2-13.

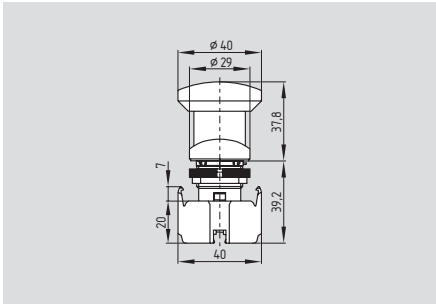
Note

In order to avoid repeating of the same terminal designations in wiring diagrams, contact blocks with the same contact configuration are available with different terminal designations.

Max. 2 NC and 2 NO or 4 NC contacts

Emergency-Stop push button

ADRR 40 RT



- Thermoplastic operator head
- To EN ISO 13850 / IEC 60947-5-5
- Max. 6 contacts in tandem arrangement
- For mounting holes Ø 22.3 mm
- Pull to reset

Technical data

Standards: IEC/EN 60947-5-5
EN ISO 13850

Operators: glass fiber reinforced thermoplastic, self-extinguishing

Protection class: IP65 to EN 60529

Contact material: silver

Switching principle: ⊖ IEC 60947-5-1
slow action

Contact type: NO and NC contacts, combined as desired

Connection: screw terminals

Cable section: max. 2.5 mm²
(incl. conductor ferrules)

U_{imp}: 6 kV

U_i: 400 V

I_{the}: 10 A

I_e/U_e: 8 A / 230 VAC
5 A / 24 VDC

Utilization category: AC-15, DC-13

Max. fuse rating: 10 A gG D-fuse

Switching capacity: –

Contact opening: 2 x 1.75 mm

Switchover time: –

Bounce duration: –

Ambient temperature: -25 °C ... +60 °C

Mechanical life: 500,000 operations

Switching frequency: 600/h

Resistance to shock: 50 g / 20 ms

Push button Ø: 40 mm

Mounting hole Ø: 22.3 mm

Classification:

Standards: EN ISO 13849-1

B_{10d} (NC): 100,000

Mission time: 20 years

$$MTTF_d = \frac{B_{10d}}{0,1 \times n_{op}} \quad n_{op} = \frac{d_{op} \times h_{op} \times 3600 \text{ s/h}}{t_{cycle}}$$

System components



Approvals



Ordering details

ADRR 40 RT

Contact blocks:

- 1 NO contact block, terminals 3, 4
- 1 NO contact block, terminals 13, 14
- 1 NC contact block, terminals 1, 2
- 1 NC contact block, terminals 11, 12

RF03
RF03.1
RF10
RF10.1

Note

Max. 6 contacts in tandem arrangement

ISO 13850 requires red Emergency Stop buttons be mounted on a yellow background. For a variety of yellow housings or labels, see "System components" to right

Ordering details

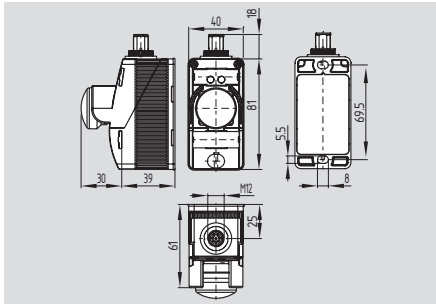
Empty enclosure
thermoplastic, yellow cover: **MBK 311/GB**
metal, yellow cover: **MBGAC 311/GB**
Stainless steel (IP69K): **NBG311**

Emergency-Stop plate (yellow)
aluminum: **MDP-8**
thermoplastic: **MDP-8.1**

Yellow label:
70 mm, metal, blank **NDP-70**
70 mm, metal, "EMERGENCY STOP" **NDP-70/ES**
65 mm, plastic foil **NDP-65**

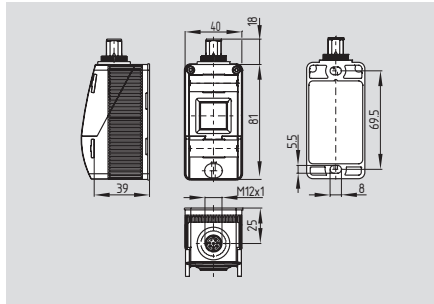
BDF control panel

BDF 100 ...-NH



- **Yellow enclosure cover**
- Slim, shock-resistant plastic enclosure
- Can be fitted onto customary aluminum profile systems
- Can be installed in the most favorable ergonomic position
- Emergency stop function with or without protective collar
- Two-layer plastic identification labels can be used (engravements on request)

BDF 100



- **Black enclosure cover**
- Comprehensive selection of illuminated pushbuttons, selector switches, signalling devices with LED and key-operated switches
- Start/stop and reset functions available

Technical data

Standards:	EN 60947-5-1, EN 60947-5-5
Enclosure:	
Enclosure material:	glass fiber reinforced thermoplastic, self-extinguishing
Enclosure protection class:	IP65
Connection:	connector M12, 8-pole
Ambient conditions:	
Ambient temperature:	-25 °C ... +65 °C
Climatic resistance:	to DIN EN 60068, Part 2 - 30
Overvoltage category:	III
Degree of pollution:	3
Contact elements:	
Contact material:	AgNi 10, gold-plated
Control elements - protection class:	IP65
Rated operating voltage U_r :	max. 24 V
Utilization category:	AC-15/DC-13
Rated operating current/voltage I_e/U_e :	AC-15: 2 A / 24 VAC DC-13: 1 A / 24 VDC
Thermal test current I_{the} :	2 A
Fuse rating:	2 A slow-blow
Contact system:	cross-point system
Contact force:	0.5 N per contact point = 1 N per contact
Switching of low voltages:	min. 5 V / 1 mA
Switching frequency:	1,200 s/h
Rated insulation voltage U_i :	60 V
Bounce time:	< 2 ms at 100 mm/s operating speed
Mech. lifetime:	1 million operations;
- emergency stop:	100,000 operations
Switch travel:	approx. 3 mm
Resistance to shocks:	100 g / 6 ms
Resistance to vibrations:	20 g, 10 ... 100 Hz
Wiring labels:	to EN 60947-1
Actuating force at end of travel (1NC/1NO):	8 N

Approvals



Ordering details

BDF 100-①-G-ST with emergency stop

No.	Option	Description
①	NH	Emergency stop latching pushbutton without protective collar
	NHK	Emergency stop latching pushbutton with protective collar

Approvals



Ordering details

BDF 100-①-②-③-ST

No.	Option	Description
①	20	2 NO contacts
	11	1 NO contact / 1 NC contact
②	...	Selection of the actuator without indicator lamp
③	G/RD	Red indicator lamp *
	G/GN	Green indicator lamp *
	G/YE	Yellow indicator lamp *
	G/BU	Blue indicator lamp *
	G/WH	White indicator lamp *

* not for -LT, -LM

Note

Example: **BDF 100-NHK-G-ST**
BDF 100-11-LTWH-ST

The description of the suitable control elements can be found on page 2-16

BDF control panel

Technical data

Illuminated pushbuttons:

Enclosure material: glass fiber reinforced thermoplastic, self-extinguishing

Illuminated pushbutton material: all-insulated

Front collar material: plastic

Calotte material: plastic

Illuminated pushbutton - protection class: IP65

Rated operating voltage U_i : max. 24 V

Fuse rating: 2.5 A slow-blow

Rated insulation voltage U_i : 60 V

Lamp values illuminated pushbutton:

Lamp fitting: Ba5S

LED replacement: from front

LED power consumption (actuators): 16 mA

Power consumption indicator lamp, red: 20 mA

Safety classification emergency stop:

Standards: EN ISO 13849-1

B_{10d} : 100,000

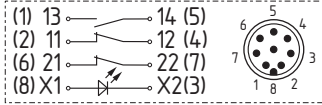
Mission time: 20 years

$$MTTF_d = \frac{B_{10d}}{0,1 \times n_{op}} \quad n_{op} = \frac{d_{op} \times h_{op} \times 3600 \text{ s/h}}{t_{cycle}}$$

Contact variants

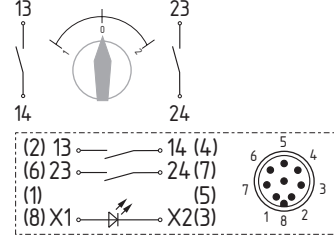
Emergency stop -

1 NO / 2 NC contacts

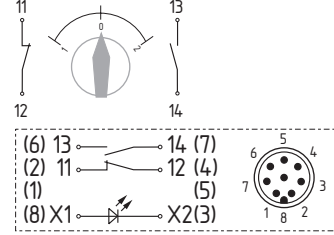


Contact variants

2 NO contacts (-20)



1 NO / 1 NC contact (-11)



Ordering details

Connection Cables: M12, 8-pole

Cable length 5 m

103011412

Cable length 10 m

103011413

Note

Contact symbols shown in non-actuated condition

Note

Pin configuration of the connector indicated between brackets

BDF control panel, available operators

NH / NHK



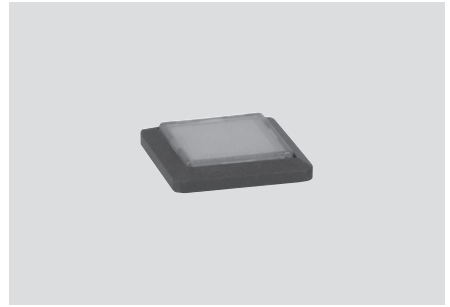
- **Emergency stop latching pushbutton**
- Mushroom-shaped plastic pushbutton, Ø 30 mm
- Pull to reset
- 1 NO contact / 2 NC contacts
- Without protective collar: ordering suffix **NH**
- With protective collar: ordering suffix **NHK**
- For BDF200: position 1 only

DT..



- **Pushbutton**
- With concave button
- Contact surface 19 x 19 mm
- 2 NO contacts or 1 NO/1 NC contact
- Available in 6 different colors
- Prints on device on request
- Ordering suffix, refer to table below
- For BDF200: position 1, 2, 3, and/or 4

LM..



- **Signaling device**
- Illuminated surface 19 x 19 mm
- Lamp replacement from front
- Available in 5 different colors
- Prints on device on request
- Ordering suffix, refer to table below
- For BDF200: position 1, 2, 3, and/or 4

PT..



- **Mushroom-shaped pushbutton**
- Contact surface 25 x 25 mm with rounded sides
- Not latching
- 2 NO contacts or 1 NO/1 NC contact
- Available in 6 different colors
- Prints on device on request
- Ordering suffix, refer to table below
- For BDF200: position 1, 2, 3, and/or 4
- **Not available for BDF100**

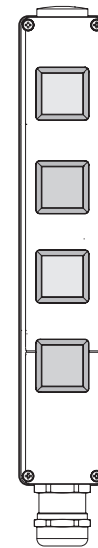
LT..



- **Illuminated pushbutton**
- With concave button
- Contact surface 19 x 19 mm
- 2 NO contacts or 1 NO/1 NC contact
- Lamp replacement from front
- Available in 5 different colors
- Prints on device on request
- Ordering suffix, refer to table below
- For BDF200: position 1, 2, 3, and/or 4

Note

Control panel BDF200






Position 1

Position 2

Position 3

Position 4

wiring compartment

Suffix	yellow	red	green	blue	black	white
 Mushroom-shaped pushbutton PT..	PTYE	PTRD	PTGN	PTBU	PTBK	PTWH
 Pushbutton DT..	DTYE	DTRD	DTGN	DTBU	DTBK	DTWH
 Illuminated pushbutton LT..	LTYE	LTRD	LTGN	LTBU	/	LTWH
 Signaling device LM..	LMYE	LMRD	LMGN	LMBU		LMWH

BDF control panel, available operators

W..0



- **Selector switch**
Maintained or Spring-return, 2 or 3 position
- Version with standard knob, anthracite grey
- Ordering suffix, refer to table below
- For BDF200: position 2 and/or 3 only

W..1


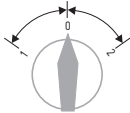

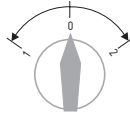
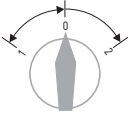

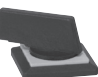



- **Selector switch with extended knob**
Maintained or Spring-return, 2 or 3 position
- Version with long knob, anthracite grey
- Ordering suffix, refer to table below
- For BDF200: position 2 and/or 3 only
- Not available on BDF100

SW.20

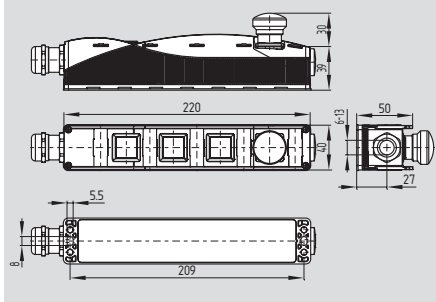


- **Key-operated selector switch /**
Maintained or Spring-return, 2 position
- Version with high-grade cylinder lock, therefore IP65 as well
- Ordering suffix, refer to table below
- For BDF200: position 2 and/or 3 only

Ordering suffix	Selector switch	Selector switch	Spring-return	Spring-return	Selector switch
					
	1 latching position	2 latching positions left and right of the zero position	1 touch position and automatic return to the zero position	2 touch positions left and right of the zero position and automatic return to the zero position	1 touch position right and automatic return to the zero position + 1 latching position left of the zero position
	2 NO contacts or 1 NO/1 NC contact	1 NO contact for each switching position or 1 NC contact (position 1) and 1 NO contact (position 2)	2 NO contacts or 1 NO/1 NC contact	1 NO contact for each switching position or 1 NC contact (position 1) and 1 NO contact (position 2)	1 NO contact for each switching position or 1 NC contact (position 1) and 1 NO contact (position 2)
 Standard knob	WS20	WS30	WT20	WT30	WTS30
 Long knob	WS21	WS31	WT21	WT31	WTS31
 Key-operated switch	SWS20		SWT20		

BDF control panel

BDF 200...-2875



- Slim, shock-resistant plastic enclosure
- Can be fitted onto customary aluminum profile systems
- Can be installed in the most favorable ergonomic position
- Comprehensive selection of illuminated pushbuttons, selector switches, signalling devices with LED, key-operated switches and emergency stop switches/pushbuttons
- Emergency stop, start/stop and reset functions available
- The position of the switch/pushbutton on the control panel can be chosen
- Two-layer plastic identification labels can be used (engravings on request)
- AS-Interface Safety at Work available
- Universal kit model (-2875) for field customization

Approvals



Ordering details

BDF 200-①-②-③-LT-LT-④-2875

No.	Option	Description
①	NH	Emergency stop latching pushbutton without protective collar
	NHK	with protective collar
	LT	Customizable element pos. 1
②	20 *	2 NO contacts
	11 *	1 NO / 1 NC contact
	10	1 NO Contact
③	SWS20	Keyed selector switch
	LT	Customizable element pos. 2
④	G24	Without indicator lamp With indicator lamp, red (only for -10 contacts)

Technical data

Standards: EN 60947-5-1,
EN 60947-5-5

Enclosure:

Enclosure material: glass fiber reinforced thermoplastic, self-extinguishing
Enclosure protection class: IP65
Cable entry: 1x M20 for cable Ø 6...13 mm

Ambient conditions:

Ambient temperature: -25 °C ... +65 °C
Climatic resistance: to DIN EN 60068, Part 2 - 30

Overvoltage category: III
Degree of pollution: 3

Contact elements:

Contact material: AgNi 10, gold-plated
Control elements - protection class: IP65
Rated operating voltage U_r : max. 24 V
Utilization category: AC-15/DC-13
Rated operating current/voltage I_e/U_e : AC-15: 2 A / 24 VAC
DC-13: 1 A / 24 VDC

Thermal test current I_{the} : 2.5 A
Fuse rating: 2.5 A slow-blow
Contact system: cross-point system
Contact force: 0.5 N per contact point = 1 N per contact

Switching of low voltages: min. 5 V / 1 mA
Switching frequency: 1,200 s/h
Rated insulation voltage U_i : 60 V
Bounce time: < 2 ms at 100 mm/s operating speed

Mech. lifetime: 1 million operations
Switch travel: approx. 3 mm
Resistance to shocks: 100 g / 6 ms
Resistance to vibrations: 20 g, 10 ... 200 Hz
Wiring labels: to EN 60947-1

Actuating force at end of travel (1NC/1NO): 8 N
Power consumption:
- LED (operating elements): 16 mA
- indicator lamp, red: 20 mA

Technical data

Illuminated pushbuttons:

Enclosure material: glass fiber reinforced thermoplastic, self-extinguishing
Illuminated pushbutton material: all-insulated
Front collar material: plastic
Calotte material: plastic
Illuminated pushbutton - protection class: IP65
Rated operating voltage U_r : max. 24 V
Fuse rating: 2.5 A slow-blow
Rated insulation voltage U_i : 60 V
Wiring labels: to DIN EN 50005 or DIN EN 50013: X1/X2

Lamp values illuminated pushbutton:

Lamp fitting: Ba5S
LED replacement: from front
LED power consumption of (operating elements): 16 mA
Power consumption of indicator lamp, red: 20 mA

Safety classification emergency stop:

Standards: EN ISO 13849-1
 B_{10d} : 100,000
Mission time: 20 years

$$MTTF_d = \frac{B_{10d}}{0,1 \times n_{op}} \quad n_{op} = \frac{d_{op} \times h_{op} \times 3600 \text{ s/h}}{t_{cycle}}$$

Note: Contact variant -20, -11 or -10 continuous for all non-E-Stop positions (1 NO / 2 NC contacts).
Contact variants -20, -11 or -10 cannot be combined with each other for specific positions.

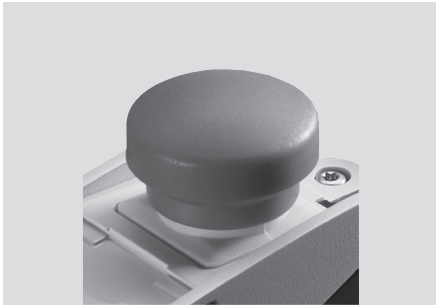
BDF 200 ...-2875 Preferred part designations

Series	Fitting at				Indicator lamp	Type designation	Material number
	Pos. 1	Pos. 2	Pos. 3	Pos. 4			
NH		LT	LT	LT	red	BDF200-NH-10-LT-LT-LT-G24-2875	103007781
		LT	LT	LT		BDF200-NH-11-LT-LT-LT-2875	103007782
		LT	LT	LT		BDF200-NH-20-LT-LT-LT-2875	103007783
		SWS20	LT	LT		BDF200-NH-11-SWS20-LT-LT-2875	103007789
		SWS20	LT	LT		BDF200-NH-20-SWS20-LT-LT-2875	103007790
NHK		LT	LT	LT	red	BDF200-NKH-10-LT-LT-LT-G24-2875	103007784
		LT	LT	LT		BDF200-NHK-11-LT-LT-LT-2875	103007785
		LT	LT	LT		BDF200-NHK-20-LT-LT-LT-2875	103007786
		SWS20	LT	LT		BDF200-NHK-11-SWS20-LT-LT-2875	103007791
		SWS20	LT	LT		BDF200-NHK-20-SWS20-LT-LT-2875	103007792
LT		LT	LT	LT		BDF200-LT-11-LT-LT-LT-2875	103007787
		LT	LT	LT		BDF200-LT-20-LT-LT-LT-2875	103007788



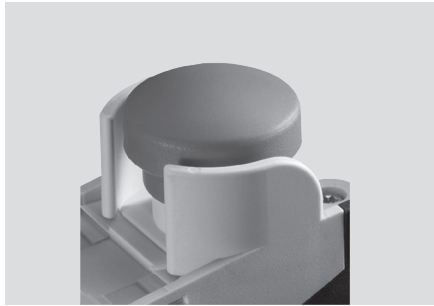
BDF control panel

NH



- **Emergency stop latching pushbutton**
- Yellow housing without protective collar
- Red mushroom-shaped plastic pushbutton, 30 mm Ø
- Pull to reset
- 1 NO contact / 2 NC contacts

NHK



- **Emergency stop latching pushbutton**
- Yellow housing with protective collar
- Red mushroom-shaped plastic pushbutton, 30 mm Ø
- Pull to reset
- 1 NO contact / 2 NC contacts

SWS20



- **Key-operated selector switch ,**
- **2 position, maintained**
- High-grade cylinder lock, IP65

LT



Field customizable button/signal:

For pushbutton

- Wire only the contacts for the position
- Apply opaque button, in color of choice

For illuminated pushbutton

- Wire the contacts and LED for the position
- Apply transparent button, in color of choice

For signal light

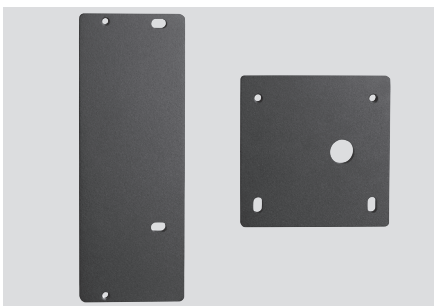
- Wire only the LED for the position
- Apply transparent button, in color of choice

Accessories



AZM200 Solenoid Interlock

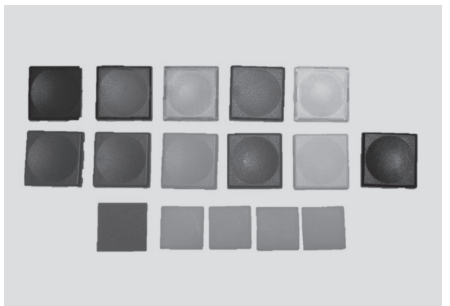
- BDF200 housing matches the AZM200 housing
- A available with door handle actuator -B30
- For more information, see page 1-54



MP BDF 200

101214126

- Mounting plates
- For for side by side mounting of BDF200 control panel and AZM200 solenoid interlock with -B30 actuator



BDF-U200-PBC

103007780

- Set of Pushbutton Caps, various styles/colors:
 - Solid: blue, green, yellow, red, white, black
 - Transparent: blue, green, yellow, red, white
- For all "LT" positions of -2875 models.
- Included with initial delivery of -2875 models

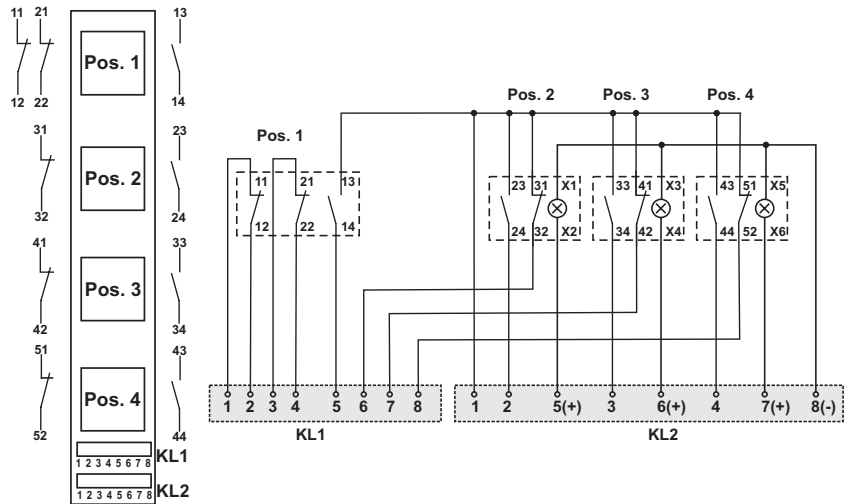
BDF control panel

BDF 200-NH-11-...

1 NO / 2 NC contacts
for emergency stop at Pos. 1

1 NO / 1 NC contact
for operating elements at Pos. 2 - 4

Terminal configuration

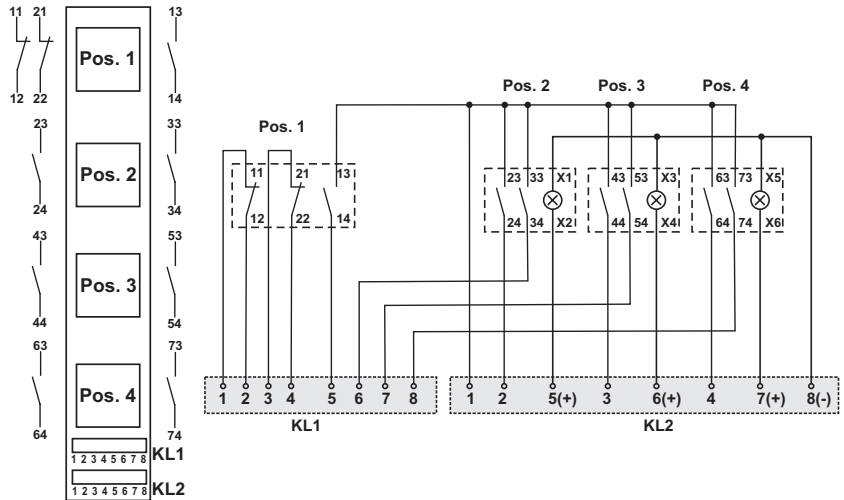


BDF 200-NH-20-...

1 NO / 2 NC contacts
for emergency stop at Pos. 1

2 NO contacts
for operating elements at Pos. 2 - 4

Terminal configuration

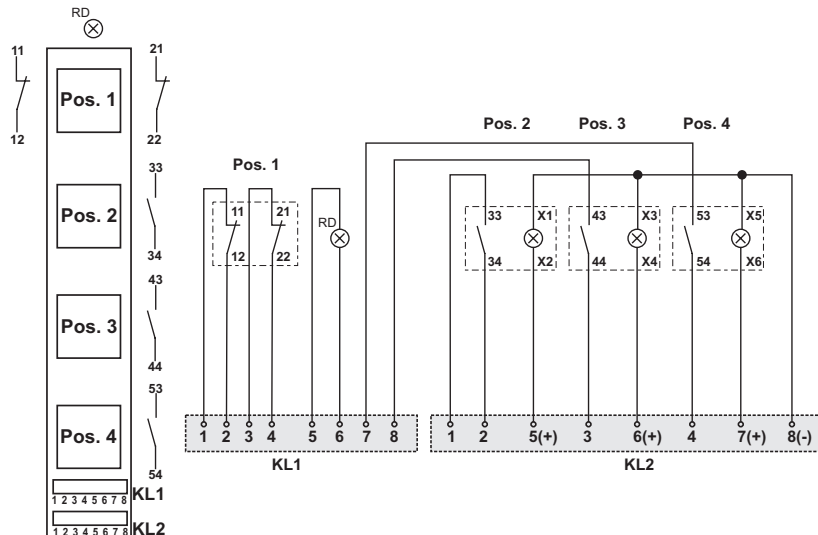


BDF 200-NH-10-...

2 NC contacts
for emergency stop at Pos. 1
and indicator lamp (red)

1 NO contact
for operating elements at Pos. 2 - 4
and indicator lamp (red)

Terminal configuration

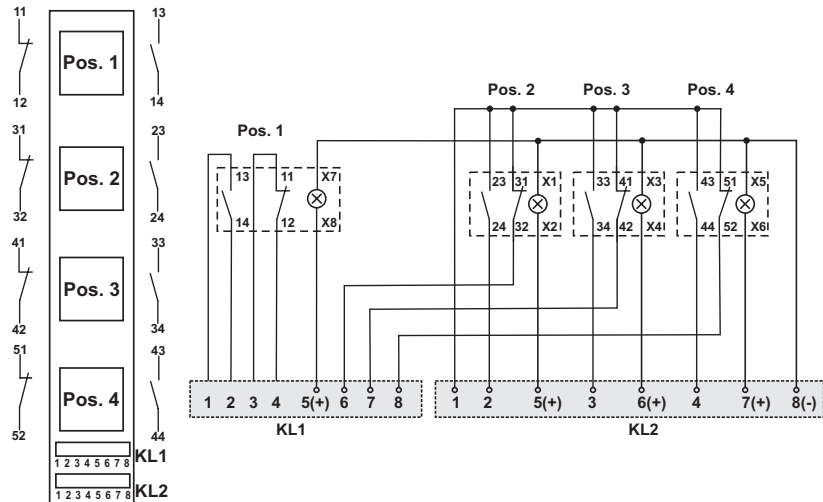


BDF control panel

BDF 200-...-11-...

1 NO / 1 NC contact
for operating elements at Pos. 1 - 4

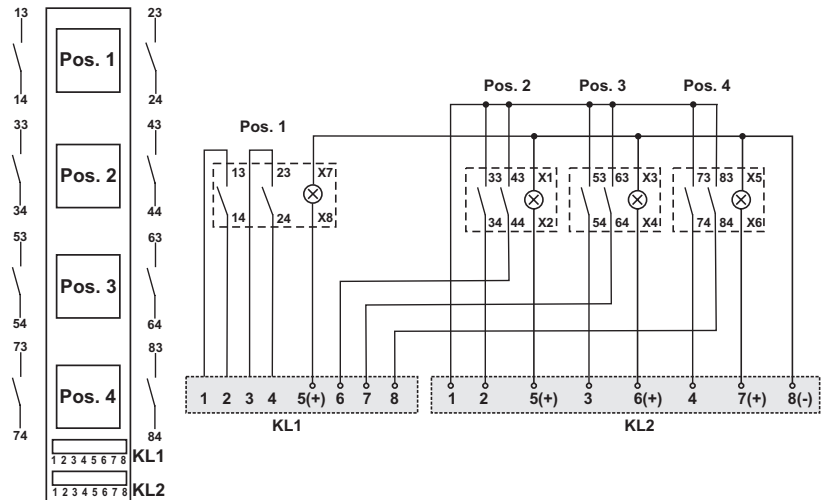
Terminal configuration



BDF 200-...-20-...

2 NO contacts
for operating elements at Pos. 1 - 4

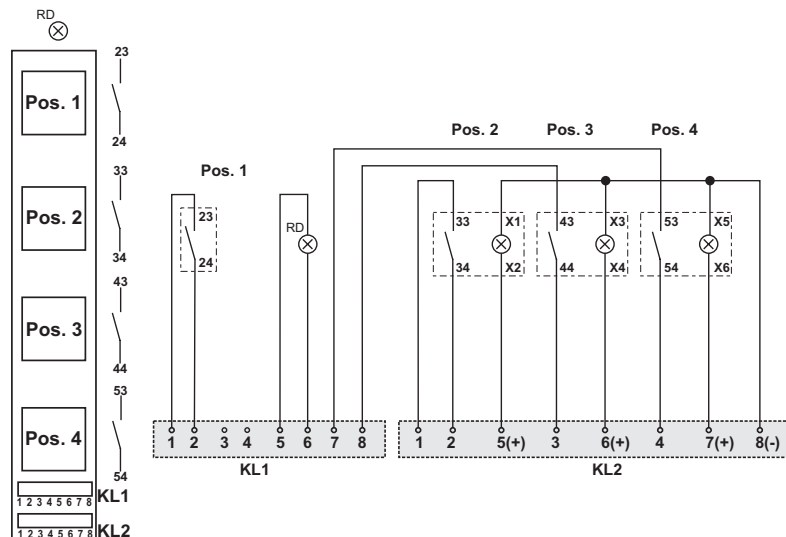
Terminal configuration



BDF 200-...-10-...

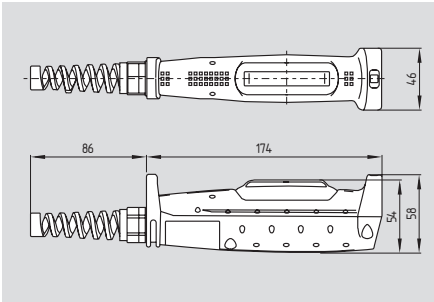
1 NO contact
for operating elements at Pos. 1 - 4
and indicator lamp (red)

Terminal configuration



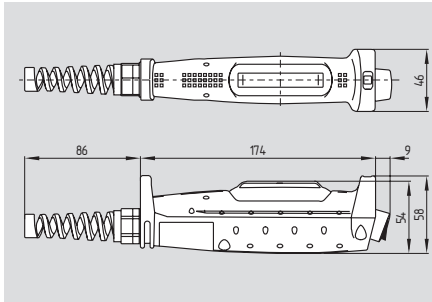
Enabling switch

ZSD 5



- Thermoplastic enclosure
- 3 levels OFF-ON-OFF
- Good resistance to petroleum spirit and oil
- 2 NO contacts
1 auxiliary contact (NC contact) (level 2 -> level 1)
- Contacts do not close upon reset (level 3 -> level 1)
- Positive break (level 2-> level 3)
- The redundant contact configuration enable signal evaluation with common safety relay modules
- Particularly fit for robot applications in accordance with the ANSI Robotics Standard

ZSD 6



- Supplementary push-button in device head
1 NO contact (ZSD 6)
- Other product variants and details can be found on the end of this chapter.

Technical data

Standards:	IEC/EN 60947-5-1; IEC/EN 60204-1; EN 292; ISO 12100; ISO 11161; ISO 10218; EN 775
Enclosure:	thermoplastic, self-extinguishing
Protection class:	IP65 to EN 60529
Contact material:	silver
Contact type:	2 NO / 1 NC (ZSD 6: + 1 NO)
Switching principle:	⊖ IEC 60947-5-1; slow action, NC contacts with positive break
Connection:	screw terminals
Cable section:	min. 0.14 mm ² max. 1.5 mm ² (incl. conductor ferrules)
Cable entry:	1 x M20
U _{imp} :	2.5 kV
U _i :	125 V
Utilization category:	AC-12, DC-12
I _e /U _e :	0.5 A / 24 VAC 1 A / 24 VDC
Max. fuse rating:	3 A gG D-fuse
Positive break travel:	7.4 mm
Ambient temperature:	-10 °C ... +60 °C
Mechanical life:	> 100,000 operations
Switching frequency:	max. 1200/h
Classification:	
Standards:	EN ISO 13849-1
B _{10d} (NC):	100,000
Mission time:	20 years
MTTF _d = $\frac{B_{10d}}{0,1 \times n_{op}}$	n _{op} = $\frac{d_{op} \times h_{op} \times 3600 \text{ s/h}}{t_{cycle}}$

Approvals



Ordering details

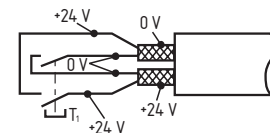
ZSD ①

No.	Replace	Description
①	5	3-stage door handle
	6	3-stage door handle switch with additional push button in the device head

Note

Customer-specific designs, with pre-wired cable, or other signalling and command devices in the device head available on request

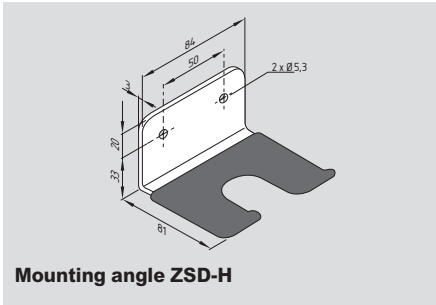
Note



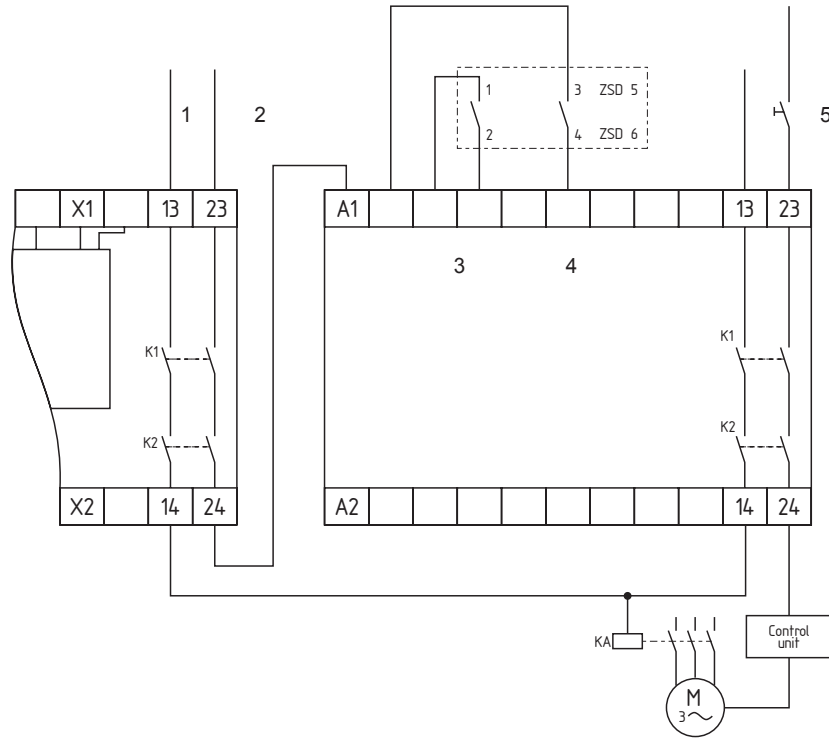
The monitoring module must offer the possibility of cross-wire monitoring. To connect, only use shielded pre-wired cables (see drawing).

Enabling switch

System components



Wiring diagram



Legend for the wiring diagram

- 1 Automatic mode
- 2 Set-up mode
- 3 Channel 1
- 4 Channel 2
- 5 Jog key

Ordering details

Mounting angle

ZSD-H

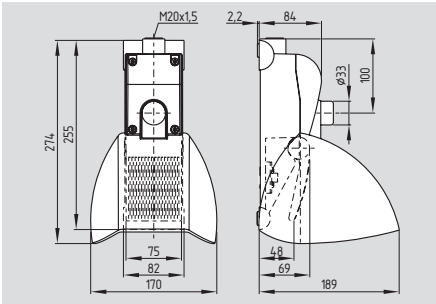
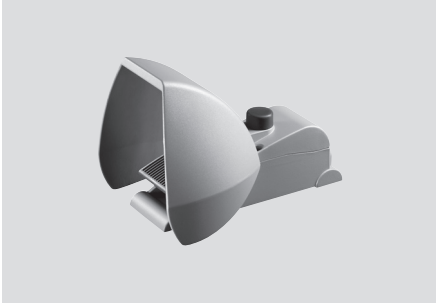
Note

Evaluation of an enabling switch of the ZSD 5/ZSD 6 series by means of a safety-monitoring module of the SRB series, 2-channel with cross-wire detection.

- Jog key control (optional) to start the machine in jog mode
- Superposed evaluating module monitors the emergency stop position of the push-button
- External switch-over from automatic to set-up mode required

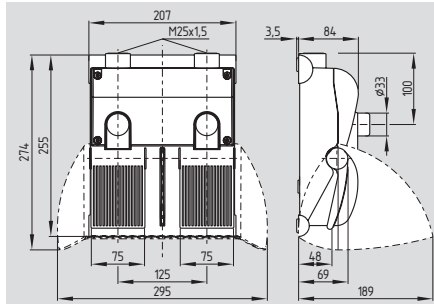
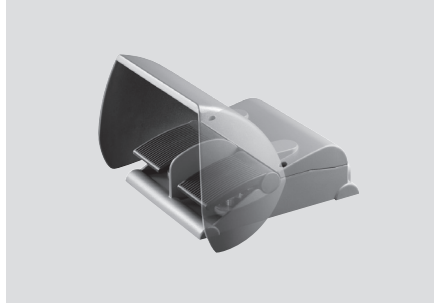
Safety foot switches

TFH 232-..UEDR



- Safety-related function with overlapping contacts, pressure point and latching
- 2 or 4 contacts
- Metal enclosure
- Protective shield with wide opening
- Low pedal height
- High level of stability
- Cable entry M20

T2FH 232-..UEDR



- 4, 6 or 8 contacts
- 2 cable entries M25

Technical data

Standards: IEC/EN 60947-5-1
DIN VDE 0660-200
BG-GS-ET-15

Material of the enclosure, cover and protective shield: aluminum die-cast
Housing coating: powder-coated
Material of the pedal: glass fiber reinforced thermoplastic

Mechanical data

Design of electrical connection: screw terminals
- Max. cable section: max. 2.5 mm² (incl. conductor ferrules)

Cable entry: 1-pedal: 1 x M20
2-pedal: 2 x M25

Mechanical life: > 1 million operations
Switching frequency: max. 1 / s
Resistance to shock: 30 g / 11 ms
Resistance to vibration: 10 ... 150 Hz (0.35 mm / 5 g)

Ambient conditions

Ambient temperature: -25 °C...+60 °C
Storage and transport temp.: -25 °C...+85 °C
Relative humidity: 30% ... 95%
- non-condensing
- non-icing

Protection class: IP65 to IEC/EN 60529

Overvoltage category: III

Degree of pollution: 3

Electrical data

Design of the switching element: NC, NO
Switching principle: slow action

Rated impulse withstand voltage U_{imp} : 800 V

Rated insulation voltage U_i : 32 VDC

Thermal test current I_{the} : 10 A

Utilization category: DC-13: 24 V / 1 A

AC-15: 230 V / 4 A

Required rated short-circuit current: 1000 A

Max. fuse rating: 6 A gG D-Sicherung

Dimensions: 1-pedal: 170 x 189 x 274 mm;

2-pedal: 295 x 189 x 274 mm

Safety classification

Standards: EN ISO 13849-1

B_{10d} (NC contact): 100,000

Service life: 20 years

$$MTTF_d = \frac{B_{10d}}{0,1 \times n_{op}} \quad n_{op} = \frac{d_{op} \times h_{op} \times 3600 \text{ s/h}}{t_{cycle}}$$

Approvals



Ordering details

TFH 232-①

No.	Replace	Description
①	11UEDR 22UEDR	1 NO/1 NC contact 2 NO/2 NC contact

Approvals

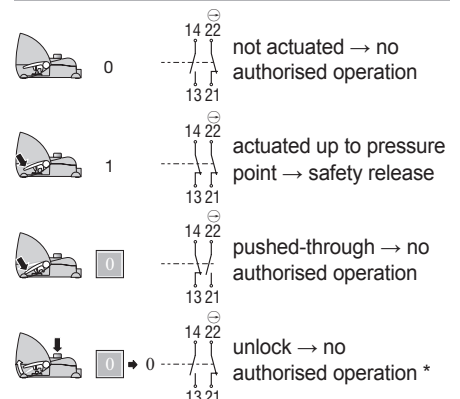


Ordering details

T2FH 232-①

No.	Replace	Description
①	11UEDR/11UEDR 22UEDR/22UEDR 11/22UEDR 22UEDR/11	2 NO/2 NC contact 4 NO/4 NC contact 3 NO/3 NC contact 3 NO/3 NC contact

Mode of operation -UEDR



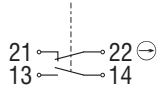
Safety foot switches

Contact variants

1-pedal

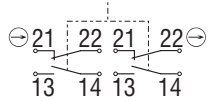
1 NO / 1 NC

(TFH 232-11UEDR)



2 NO / 2 NC

(TFH 232-22UEDR)

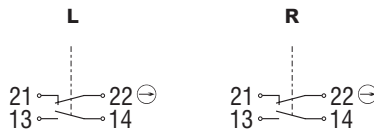


Contact variants

2-pedal

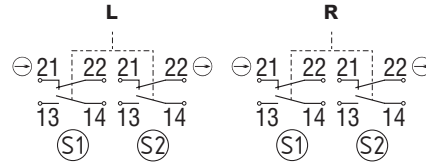
2 NO / 2 NC

(T2FH 232-11UEDR/11UEDR)



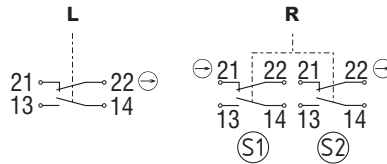
4 NO / 4 NC

(T2FH 232-22UEDR/22UEDR)



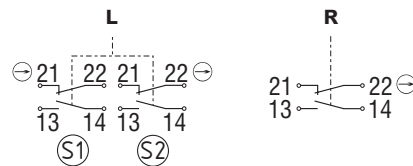
3 NO / 3 NC

(T2FH 232-11/22UEDR)



3 NO / 3 NC

(T2FH 232-22UEDR/11)



Legend

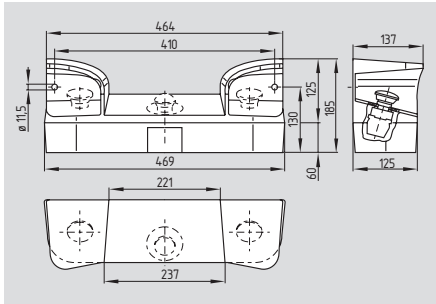
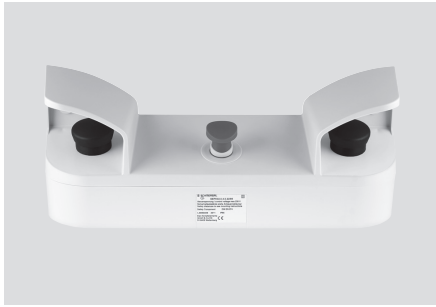
- ⊖ positive break NC contact
- L left pedal
- R right pedal

Note

The non-safety-related pedal of the 2-pedal safety foot switch does not have the overlapping and latching functions.

Two-hand control panels

SEPK



- Thermoplastic enclosure
- 2 black operating push buttons Ø 55 mm each with 1 NC and 1 NO contacts according to EN 574
- 1 Emergency-Stop button in thermoplastic version, KDRRKZ 40 RT, with 1 NC and 1 NO contact
- 8 knockouts for additional operating devices Ø 22.3 mm
- Stand and wall mounting possible
- 2 part enclosure
- Protection class IP64

Approvals



Ordering details

Standard: SEPK 02.0.4.0.22/95

1NO/1NC per button
1NO/1NC for Emergency-Stop

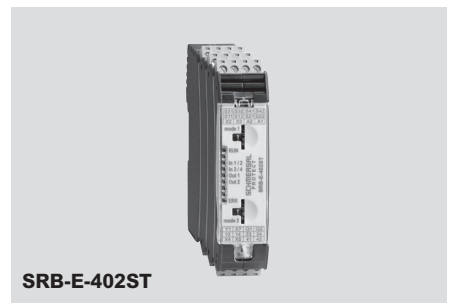
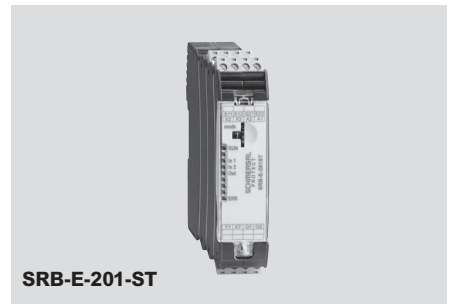
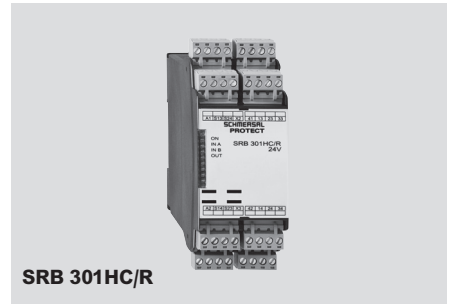
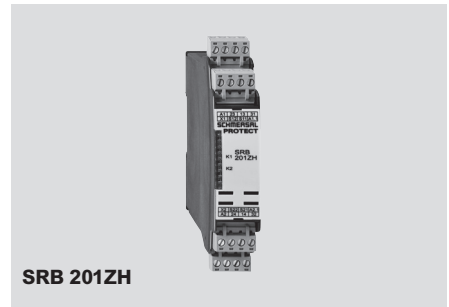
Empty enclosure: SEPK 02.0.L.22

with 3 mounting holes

Technical data

Standards:	IEC/EN 60947-5-5 EN 574 EN ISO 13850
Enclosure:	Thermoplastic (Lexan 503 R)
Protection class:	IP64
Connection:	Screw terminals
Cable section:	max. 1.5 mm ²
U _i :	440 V
I _{the} :	10 A
Utilization category:	AC-15, DC-13
I _e /U _e :	8 A / 250 VAC 5 A / 24 VDC
Mechanical life:	10 million operations
Dimensions:	469 x 185 x 140 mm
Classification:	
Standards:	EN ISO 13849-1; IEC 61508; IEC 60947-5-3
PL:	up to e
Category:	up to 4
PFH value:	5.0 x 10 ⁻⁹ /h up to max. 100.000 switching cycles/year and max. 40% contact load
SIL:	up to 3 in combination with safety monitoring module
Mission time:	20 years

System components



Note

Customer-specific designs (also entirely pre-wired, special colors, etc.) available on request

Safety distance calculation:

$$S = (K \times T) + C$$

Legend:

K = Gripping speed = 1,600 mm/s

T = Run-on time in seconds

C = Additional value = 250 mm

Ordering details

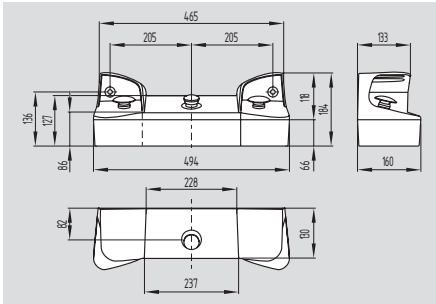
Safety monitoring modules for two-hand control circuits:

SRB 201ZH	refer to page 2-28
SRB 301HC/R	refer to page 3-14
SRB-E-201-ST	refer to page 5-8
SRB-E-402ST	refer to page 5-14

See Section 5 for details on safety controllers

Two-hand control panels

SEPG



- Aluminum enclosure
- 2 black operating push buttons Ø 55 mm each with 1 NC and 1 NO contacts according to EN 574
- 1 Emergency-Stop button in metal version, EDRRZ 40 RT, with 1 NC and 1 NO contact
- Control panel suitable for mounting 8 supplementary signalling and command devices
- Stand and wall mounting possible
- 2 part enclosure
- Protection class IP65

Approvals



Ordering details

Standard: SEPG 05.3.4.0.22/95.E1

1NO/1NC per button
1NO/1NC for Emergency-Stop

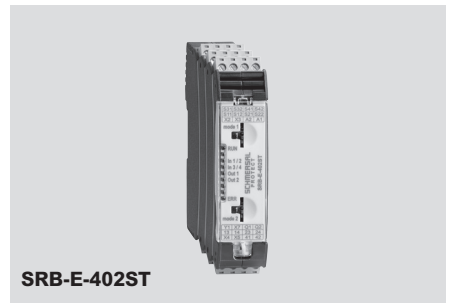
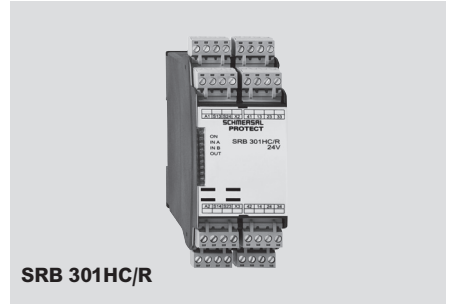
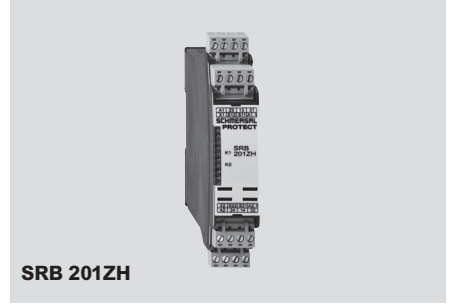
Empty enclosure: SEPG 05.3.L.22

with 3 mounting holes

Technical data

Standards:	IEC/EN 60947-5-5 EN 574 EN ISO 13850
Enclosure:	Cast aluminum, powder-coated
Protection class:	IP65
Connection:	Screw terminals
Cable section:	max. 1.5 mm ²
U _i :	440 V
I _{the} :	10 A
Utilization category:	AC-15, DC-13 8 A / 250 VAC 5 A / 24 VDC
Mechanical life:	10 million operations
Dimensions:	494 x 184 x 160 mm
Classification:	
Standards:	EN ISO 13849-1; IEC 61508; IEC 60947-5-3
PL:	up to e
Category:	up to 4
PFH value:	5.0 x 10 ⁻⁹ /h up to max. 100.000 switching cycles/year and max. 40% contact load
SIL:	up to 3 in combination with safety monitoring module
Mission time:	20 years

System components



Note

Customer-specific designs (also entirely pre-wired, special colors, etc.) available on request

Safety distance calculation:

$$S = (K \times T) + C$$

Legend:

K = Gripping speed = 1,600 mm/s

T = Run-on time in seconds

C = Additional value = 250 mm

Ordering details

Safety monitoring modules for two-hand control circuits:

SRB 201ZH	refer to page 2-28
SRB 301HC/R	refer to page 3-14
SRB-E-201-ST	refer to page 5-8
SRB-E-402ST	refer to page 5-14

See Section 5 for details on safety controllers

Two-hand control panels

SRB 201ZH



Monitoring two-hand control panels to EN 574 III C

- 2 safety contacts, STOP 0
- 1 auxiliary NC contact
- With feedback circuit
- With electronic protection
- 2 LEDs to show operating conditions
- Plug-in screw terminals

Technical data

Standards:	IEC/EN 60204-1, EN 60947-5-1, EN ISO 13849-1, IEC 61508
Feedback circuit (Y/N):	yes
ON delay with automatic start:	typ. 50 ms
Drop-out delay:	typ. 30 ms
Rated operating voltage U_e :	24 VDC -15%/+10% residual ripple max. 10%
Fuse rating for the operating voltage:	Internal electronic trip, tripping current F1/F2: > 0.2 A, tripping current F3: > 0.6 A
Internal electronic protection (Y/N):	yes
Power consumption:	1.2 W
Monitored inputs:	
- Short-circuit recognition:	yes
- Wire breakage detection:	yes
- Earth connection detection:	yes
Number of NC contacts:	2
Number of NO contacts:	2
Max. conduction resistance:	max. 40 Ω
Outputs:	
Stop category:	0
Number of safety contacts:	2
Number of auxiliary contacts:	1
Max. switching capacity of the safety contacts:	250 VAC, 6 A resistive (inductive in case of appropriate protective wiring); min. 10 V, 10 mA
Utilization category to EN 60947-5-1:	AC-15; DC-13
Fuse rating of the safety contacts:	6.3 A slow blow
Fuse rating of the auxiliary contacts:	2 A slow blow
Mechanical life:	10 million operations
Ambient conditions:	
Ambient temperature:	-25 °C ... +45 °C
Storage and transport temperature:	-40 °C ... +85 °C
Protection class:	Enclosure: IP40, Terminals: IP20, Clearance: IP54
Mounting:	Snaps onto standard DIN rail to EN 60715
Connection type:	Screw terminals, plug-in
- min. cable section:	0.25 mm ²
- max. cable section:	2.5 mm ²
Weight:	200 g
Dimensions (Height x Width x Depth):	120 x 22.5 x 121 mm

Approvals



Ordering details

SRB 201ZH-24VDC

Classification

Safety parameters:

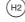
Standards:	EN ISO 13849-1, IEC 61508, EN 60947-5-1
PL:	STOP 0: up to e
Category:	STOP 0: up to 4
PFH value:	STOP 0: $\leq 2.00 \times 10^{-8}/h$
SIL:	STOP 0: up to 3
Mission time:	20 years

The PFH value of $2.00 \times 10^{-8}/h$ applies to the combinations of contact load (current through enabling contacts) and number of switching cycles (n-op/y) mentioned in the table below. At 365 operating days per year and a 24-hours operation, this results in the below-mentioned switching cycle times (t-cycle) for the relay contacts. Diverging applications upon request.

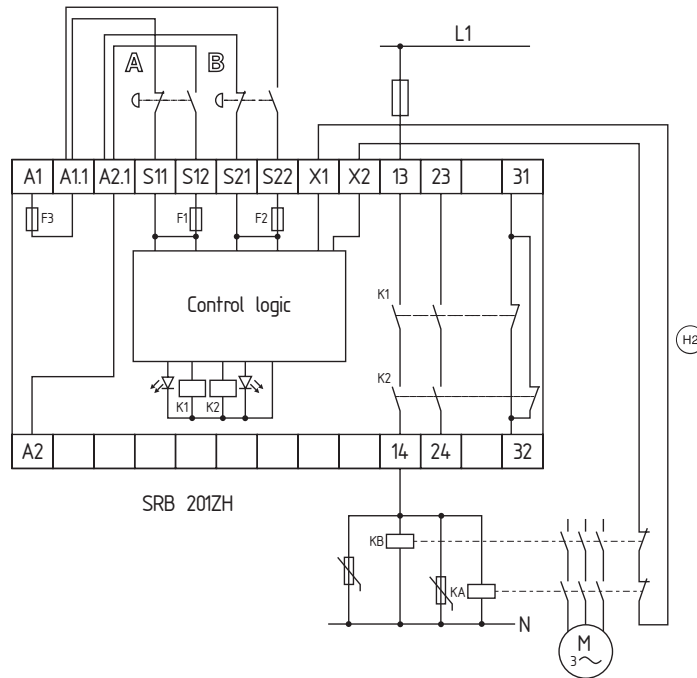
Contact load	n-op/y	t-cycle
20 %	525,600	1.0 min
40 %	210,240	2.5 min
60 %	75,087	7.0 min
80 %	30,918	17.0 min
100 %	12,223	43.0 min

Two-hand control panels

Note

- Button A and B: 1 NC contact / 1 NO contact (note: the NC contact of the buttons A and B must be opened, before the NO contact closes. No overlapping contacts to avoid triggering of fuse F1 und F2).
- Relay outputs: Suitable for 2 channel control, for increase in capacity or number of contacts by means of contactors or relays with positive-guided contacts.
-  = Feedback circuit
- The control recognizes cross-short, cable break and earth leakages in the monitoring circuit.
- Simultaneity monitoring 0.5 seconds

Wiring diagram



LED

The integrated LEDs indicate the following operating states.

- Position relay K1
- Position relay K2

Note

- The wiring diagram is shown with guard doors closed and in de-energized condition.
- Inductive loads (e.g. contactors, relays, etc.) are to be suppressed by means of a suitable circuit.

Further products and program extensions



Hygiene-compliant command and signalling devices

The special requirements placed on the hygienic design of food processing machines including those of the standards EN 1672-1 and EN 1672-2 with basic safety and hygienic requirements for machinery of this kind have been transferred to this range of command and signalling devices.

The devices have protection class IP67/ IP69K, which makes them suitable for outdoor applications and applications where high hygienic requirements are applicable.



Sub-assemblies for two hand control consoles

In addition to the standard two-hand operating panels, Schmersal can customize panels with additional control devices and illuminated indicator lights. We can also add additional bore holes or special paint finishes/colors to match specific application requirements.

Also available are a wide variety of floor stands, with options for spacer rings, height adjustment, foot-pedal switches, or rollers.

Safe switching and monitoring

Tactile safety devices

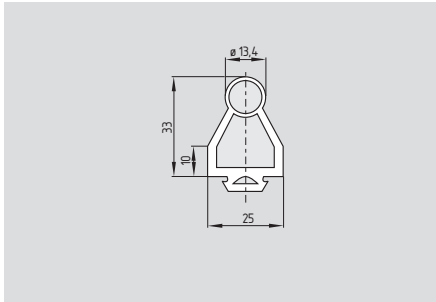
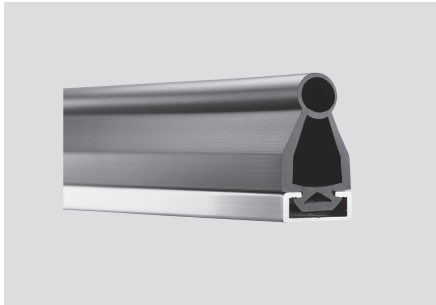


Wherever crushing or shearing points are to be safeguarded, such as on elevating platforms, rising stages, sliding doors or industrial gates, tactile safety devices offer a simple and easy to fit solution. In the hazardous area, two-dimensional safety devices could be useful as well, for instance at industrial robots, punching machines and woodworking machines.

Safety edges	3-2
Safety mats	3-12
Program extensions	3-16

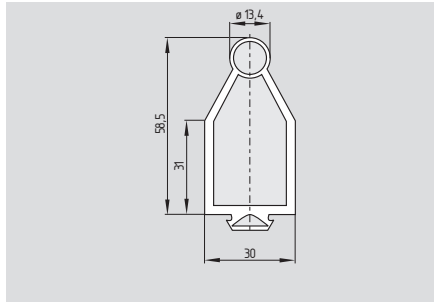
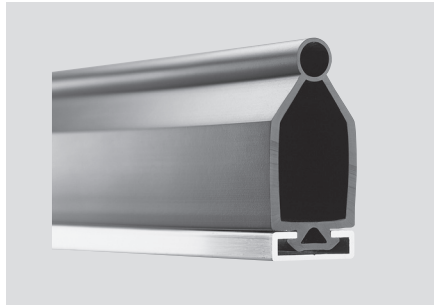
Safety edges

SE 40



- Control category optionally 1, 3 or 4 in combination with the SE-100C, SE-304C or SE-400C safety-monitoring module
- Modulated infra-red signal
- Interference-proof against external light
- Regulated transmitter, i.e. automatic adaptation for distance to receiver
- Constant sensitivity independently of the length of the safety edge
- Lengths from 0.4 m to 8 m possible
- Dirt and moisture in the profile are to a great extent compensated
- Transmitter/receiver potted, protection class of the signal transmitter IP67
- Insensitive to environmental conditions
- Max. distance sensors / evaluation 200 m

SE 70



Resistant to chemicals of the rubber material:

International abbreviation	EPDM (APTK)
Chemical name:	ethylene propylene ter polymer
Resilience at 20°C:	good
Resistance against permanent deformation:	good
General resistance against atmospheric conditions:	excellent
Resistance against ozone:	excellent
Resistance against oil:	low
Resistance against fuels:	low
Resistance against solvents:	low to satisfactory
General resistance against acids:	good
Temperature resistance:	
Short exposition:	- 50°C ... + 170°C
Long exposition:	- 30°C ... + 140°C

If a higher resistance is required, choose safety edge profiles with 20 µm plastic coating. The coating must be submitted to low mechanical loads only.



Technical data

Standards:	EN 1760-2
Material:	
- Rubber profile:	EPDM, 65 Shore A (optionally with 20 µm plastic coating)
- Emitter/Receiver:	polyurethane
- Mounting profile:	Al-Mg Si OF22
Protection class:	to EN 60529
- Emitter/Receiver :	IP68
- Signal transmitter, complete:	IP67
Mode of operation:	Optoelectronic
Possible length:	40 cm ... 8 m
Operating range of the homologated signal transmitter:	+5 °C ... +55 °C
Max. permanent load:	on the operational switching zone 500 N
Operating speed:	Signal transmitters: max. 100 mm/s, (Exception: SE-P40 with SE-400C: max. 40 mm/s)
Response travel:	max. 9 mm
After-travel:	P 40: max. 18 mm P 70: max. 45 mm
Connection:	Transmitter/Receiver: cable 3 x 0.14 mm ² flexible
Cable length:	
- Receiver:	3 m or 20 m
- Emitter:	6.5 m or 10.5 m
Mechanical life:	20 million operations

* Certification in combination with safety monitoring modules SE-100C, SE-304C or SE-400C. Coated and NBR profiles are not included in this approval.

Approvals



Ordering details

Rubber profile SE-P^{①②③}

No.	Replace	Description
①		Uncoated profile
	C	Coated profile
②	40	40 mm high EPDM
	40NBR	40 mm high NBR
	70	70 mm high EPDM
③	XXXX	Profile length in mm
	1250	1,250 mm
	2500	2,500 mm
	5000	5,000 mm
	10000	10,000 mm

Note

A safety edge system consists of individual components. The components must be ordered separately.

(Example)

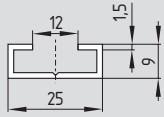
- Rubber profile, SE-P40-1250
- Al profile, SE-AL 10-1250
- Emitter/ Receiver SE-SET
- Safety-monitoring module, SE-304 C
- Options: Caps, SE-T40; Sticker, SE-G8406
- Other accessories

Note

In the extremities of the safety edge at approx. 60 mm (SE 40) or 50 mm (SE 70) finger guard is not guaranteed. Upon actuation of this area, the transmitter/receiver is pushed into the lower profile section and the switching signal is evaluated, but the required forces are high though. If this restriction is not acceptable for the specific application, constructive measures must be taken.

Safety edges

System components



Aluminum profile SE-AL10

System components

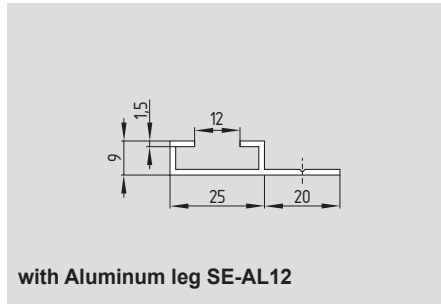


SE-100C

System components



Junction box SE-J2



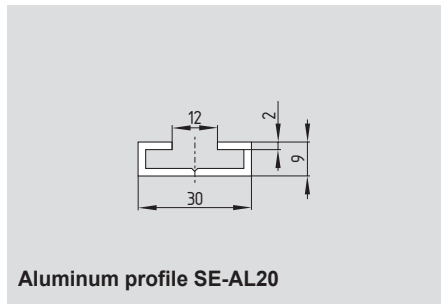
with Aluminum leg SE-AL12



SE-304C



Rubber scissors SE-SC



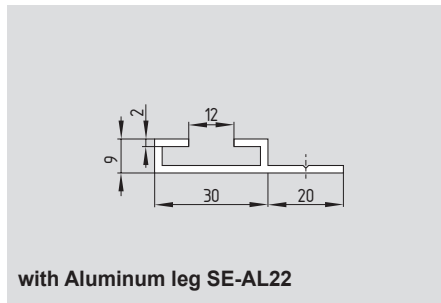
Aluminum profile SE-AL20



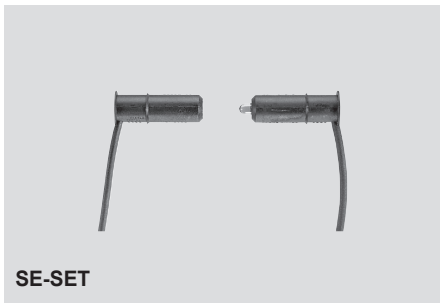
SE-400C



End plugs SE-T.40



with Aluminum leg SE-AL22



SE-SET



End plugs SE-T.70

Ordering details

Aluminum profile SE-AL^{①②③}

No.	Replace	Description
①	1	For rubber profile SE-40
	2	For rubber profile SE-70
②	0	Without mounting flange
	2	With mounting flange
③	1250	1,250 mm Larger lengths possible by connecting multiple Aluminum profiles

Ordering details

Monitoring of safety edges using

Part	Number of safety edges	Max. control category	Refer to page
SE-100C	2	1	3-6
SE-304C	4	3	3-8
SE-400C	1	4	3-10

Sensor-Sets

Part	Transmitter cable	Receiver cable
SE-SET	6.5 m	3 m
SE-SET 3M/10.5M	10.5 m	3 m
SE-SET10.5M/20M	10.5 m	20 m

Ordering details

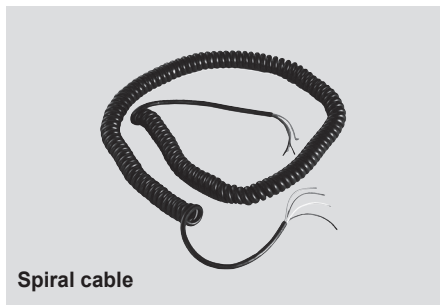
Junction box	SE-J2
Rubber scissors	SE-SC
End plugs for SE-P40 uncoated	SE-T40
coated	SE-TC40
End plugs for SE-P70 uncoated	SE-T70
coated	SE-TC70
Gluing of the end caps:	
Primer (without drawing)	SE-PR
Glue (without drawing)	SE-G 8406

Safety edges

System components

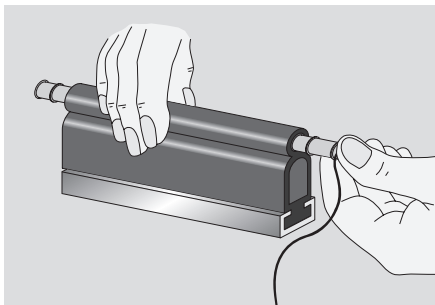
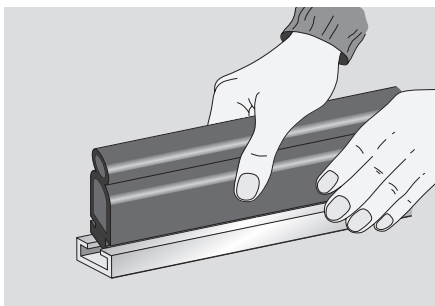
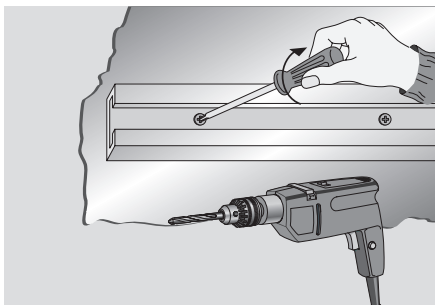
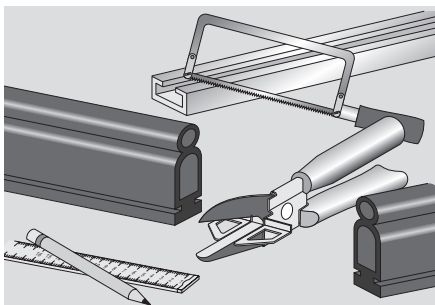


Wiring tool SE-WA



Spiral cable

Mounting



Ordering details

Wiring tool, 6 m

SE-WA

Spiral cable, 1 m extendable to 3 m

4 x 0.25 mm²

SE-CC 1301

5 x 0.5 mm²

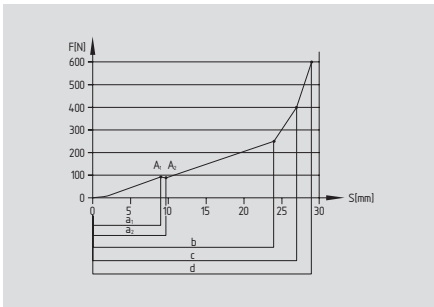
SE-CC 1302

Notice

- Saw off Aluminum rails and fit.
- Cut the rubber profile to length
- Clip the rubber profile into the Aluminum rail
- Press the transmitter and receiver units into the ends of the profile

Safety edges

Force-travel diagram



Legend

- A actuating point, switching point of the module
- a actuating travel
- b, c, d overall deformation travel until the indicated force is achieved

Run-on travel = $a_{1,2} - b / c / d$

Applicable test conditions

Parameters of the measurement:

Temperature: T = 23 °C

Mounting position: B (nach EN 1760-2)

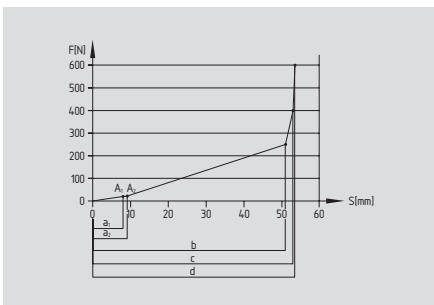
Place of measurement: C 3 (nach EN 1760-2)

The run-on travel is affected by the response time of the connected module.

SE-P40

Speed [mm/s]	Curve section	Deformation travel [mm]	Force [N]	Connected module
up to A 100 40	a ₁	9	92	SE-100C
	a ₂	9.7	88	SE-304C SE-400C
up to A 10	b	24	250	SE-100C
				SE-304C SE-400C
	c	27	400	SE-100C
				SE-304C SE-400C
d	29	600	SE-100C	
			SE-304C SE-400C	

Force-travel diagram



Legend

- A actuating point, switching point of the module
- a actuating travel
- b, c, d overall deformation travel until the indicated force is achieved

Run-on travel = $a_{1,2} - b / c / d$

Applicable test conditions

Parameters of the measurement:

Temperature: T = 23 °C

Mounting position: B (nach EN 1760-2)

Place of measurement: C 3 (nach EN 1760-2)

The run-on travel is affected by the response time of the connected module.

SE-P70

Speed [mm/s]	Curve section	Deformation travel [mm]	Force [N]	Connected module
up to A 100 100	a ₁	8	22	SE-100C
	a ₂	9.1	23	SE-304C SE-400C
up to A 10	b	51	250	SE-100C
				SE-304C SE-400C
	c	53	400	SE-100C
				SE-304C SE-400C
d	54	600	SE-100C	
			SE-304C SE-400C	

Safety edges

SE-100C



- To monitor 1 or 2 safety edges
- 1 safety contact, STOP 0
- 1 signalling output (changeover contact)
- Operating voltage 24 VDC
- LED display

Technical data

Standards:	EN 1760-2, IEC 60947-5-3, IEC 61508
Start conditions:	automatic
Feedback circuit (Y/N):	no
Response time:	16 ms
Time to readiness:	max. 300 ms
Opening duration:	max. 300 ms
Closing duration:	typ. 15 ms
Rated operating voltage U_e :	24 VDC (+ 20 % / -10%)
Rated operating current I_e :	ca. 150 mA
Internal electronic protection (Y/N):	yes
Power consumption:	< 4 W
Monitored inputs:	
- Short-circuit recognition:	yes
- Wire breakage detection:	yes
- Earth connection detection:	yes
Outputs:	
Stop category 0:	1
Stop category 1:	0
Number of safety contacts:	1
Number of auxiliary contacts:	1
Number of signalling outputs:	1
Max. switching capacity of the safety contacts:	2 A / 230 VAC 2 A / 24 VDC
Utilization category to EN 60947-5-1:	AC-15: 230 V / 2 A DC-13: 24 V / 2 A
Mechanical life:	20 million operations
LED display:	supply voltage, safety edge function
Ambient conditions:	
Environmental temperature:	+5 °C ... +55 °C
Protection class:	Enclosure: IP40, Terminals: IP20, Clearance: IP54
Mounting:	Snaps onto standard DIN rail to EN 60715
Connection type:	Screw connection
- max. cable section:	max. 2 x 1.5 mm ² (incl. conductor ferrules)
Weight:	164 g
Dimensions (Height/Width/Depth):	100 x 22.5 x 120 mm

Approvals



Ordering details

SE-100C

Classification

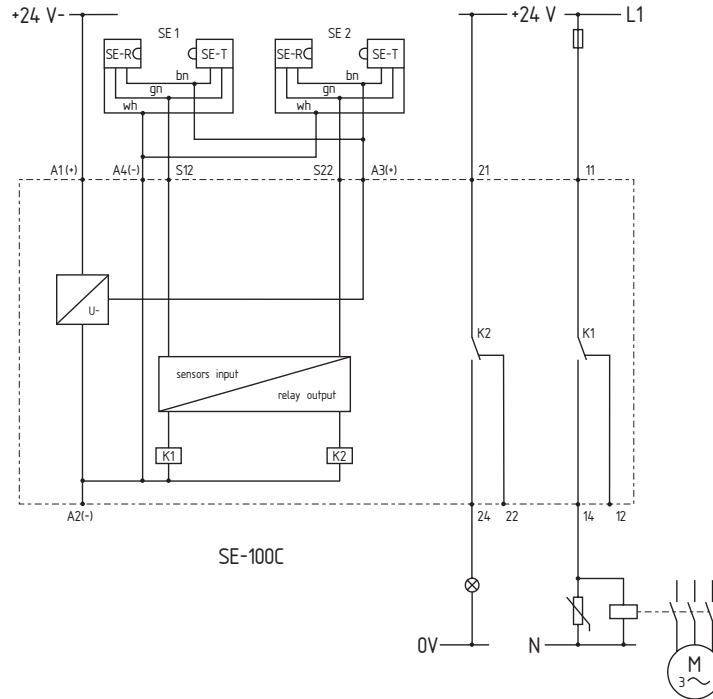
Safety parameters:	
Standards:	EN ISO 13849-1; IEC 61508; IEC 60947-5-3
PL:	up to c
Category:	up to 1
PFH value:	1.73 x 10 ⁻⁶ /h for max. 36,500 switching cycles/year and max. 60% contact load
SIL:	up to 1
Mission time:	20 years

Safety edges

Note

- Monitoring the safety edges SE 40 / SE 70 with a safety monitoring unit SE-100C for PL c and category 1.
- If only one safety edges SE 40 / SE 70 is connected, the terminals S12-S22 must be bridged.
- The manual reset function, if required, must be realized in the machine control. Both re-initialization and auto-reset must comply with the requirements of EN 1760-2 (diagram A2, A3).

Wiring diagram



Note

- The wiring diagram is shown for the de-energized condition.
- The overall machine safety depends on the professional mounting and installation of the safety monitoring module and the signal transmitter, as well as on the correct and professional electrical connection of the components.
- If there is any risk whatsoever, the machine may not be restarted.
- Inductive loads (e.g. contactors, relays, etc.) are to be suppressed by means of a suitable circuit.

Safety edges

SE-304C



- To monitor 1 to 4 safety edges
- 1 safety contact, STOP 0
- 1 semi-conductor signalling output
- Operating voltage 24 VAC/DC
- LED display
- Start-function with trailing edge (optional)

Technical data

Standards:	EN 1760-2, IEC 60947-5-3, IEC 61508
Start conditions:	automatic or start button
Feedback circuit (Y/N):	yes
Response time:	< 17 ms
ON delay with reset button:	100 ms up to 2 s
Rated operating voltage U_e :	24 VDC (+ 20 % / -10%)
	24 VAC (+ 10 % / - 10%)
Rated operating current I_e :	ca. 500 mA (for 4 safety edges)
Frequency range:	50 Hz
Internal electronic protection (Y/N):	yes
Power consumption:	< 4 W
Monitored inputs:	
- Short-circuit recognition:	yes
- Wire breakage detection:	yes
- Earth connection detection:	yes
Outputs:	
Stop category 0:	1
Stop category 1:	0
Number of safety contacts:	1
Number of auxiliary contacts:	0
Number of signalling outputs:	1
Max. switching capacity of the safety contacts:	2 A / 230 VAC
	2 A / 24 VDC
Utilization category to EN 60947-5-1:	AC-15: 230 V / 2 A
	DC-13: 24 V / 2 A
Mechanical life:	> 10 million operations
LED display:	supply voltage, safety edge function
Ambient conditions:	
Environmental temperature:	+5 °C ... +55 °C
Protection class:	Enclosure: IP40, Terminals: IP20, Clearance: IP54
Mounting:	Snaps onto standard DIN rail to EN 60715
Connection type:	Screw connection
- max. cable section:	max. 2 x 1.5 mm ² (incl. conductor ferrules)
Weight:	175 g
Dimensions (Height/Width/Depth):	100 x 22.5 x 121 mm

Approvals



Ordering details

SE-304C

Classification

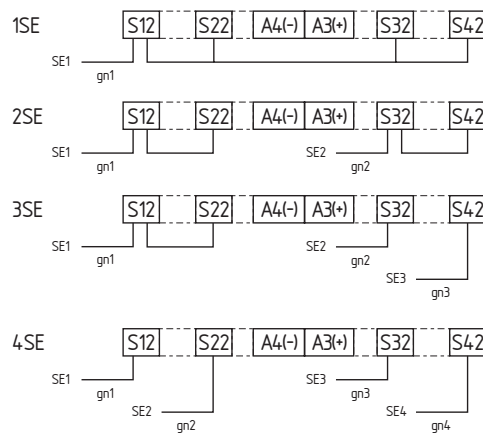
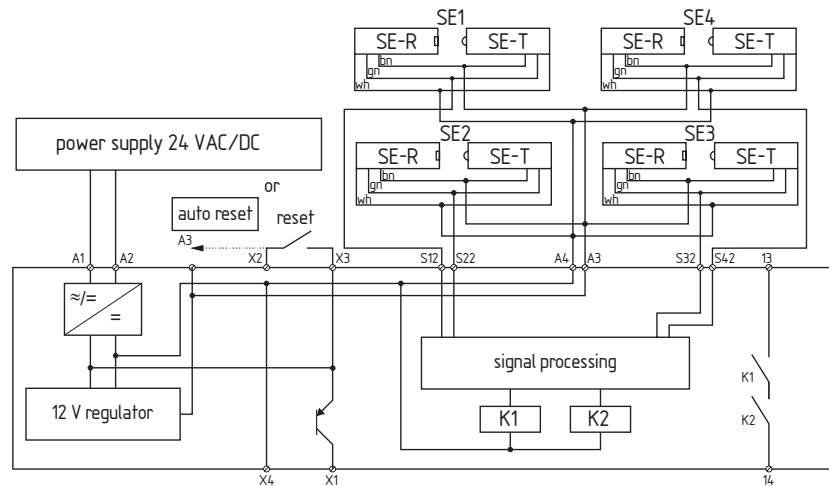
Safety parameters:	
Standards:	EN ISO 13849-1; IEC 61508; IEC 60947-5-3
PL:	up to d
Category:	up to 3
PFH value:	1.0 x 10 ⁻⁷ /h for max. 36,500 switching cycles/year and max. 60% contact load
SIL:	up to 2
Mission time:	20 years

Safety edges

Note

- Monitoring 1 – 4 safety edges SE 40 / SE 70 using safety monitoring module SE-304C for PL d and category 3.
- Manual reset function or auto-reset: The manual reset function is triggered by an edge-sensitive signal (edge switching „0-1-0“ within 100 ms up to 2 s) (X2/X3). Alternatively, the auto-reset function can be activated by a connection (A3/X2). Both re-initialization and auto-reset must comply with the requirements of EN 1760-2 (diagram A2, A3).
- If less than 4 safety edges are connected, the following diagram must be observed.

Wiring diagram



Note

Note

- The wiring diagram is shown for the de-energized condition.
- The overall machine safety depends on the professional mounting and installation of the safety monitoring module and the signal transmitter, as well as on the correct and professional electrical connection of the components.
- If there is any risk whatsoever, the machine may not be restarted.
- Inductive loads (e.g. contactors, relays, etc.) are to be suppressed by means of a suitable circuit.

Safety edges

SE-400C



- To monitor 1 safety edge
- 2 safety contacts, STOP 0
- 1 semi-conductor signalling output
- Operating voltage 24 VDC
- LED display
- Start function

Technical data

Standards:	EN 1760-2, IEC 60947-5-3, IEC 61508
Start conditions:	automatic or start button
Feedback circuit (Y/N):	yes
Response time:	32 ms
Time to readiness:	ca. 32 ms
Opening duration:	ca. 32 ms
Closing duration:	typ. 15 ms
Rated operating voltage U_e :	24 VDC (+ 20 % / -10%)
Rated operating current I_e :	ca. 150 mA
Internal electronic protection (Y/N):	yes
Power consumption:	< 4 W

Monitored inputs:

- Short-circuit recognition:	yes
- Wire breakage detection:	yes
- Earth connection detection:	yes

Outputs:

Stop category 0:	2
Stop category 1:	0
Number of safety contacts:	2
Number of auxiliary contacts:	0
Number of signalling outputs:	1
Max. switching capacity of the safety contacts:	2 A / 230 VAC 2 A / 24 VDC

Utilization category to EN 60947-5-1:	AC-15: 230 V / 2 A DC-13: 24 V / 3 A
---------------------------------------	---

Mechanical life:	30 million operations
LED display:	supply voltage, safety edge function

Ambient conditions:

Environmental temperature:	+5 °C ... +55 °C
Protection class:	Enclosure: IP40, Terminals: IP20, Clearance: IP54
Mounting:	Snaps onto standard DIN rail to EN 60715
Connection type:	Screw connection
- max. cable section:	max. 2 x 1.5 mm ² (incl. conductor ferrules)
Weight:	184 g
Dimensions (Height/Width/Depth):	100 x 22.5 x 120 mm

Approvals



Ordering details

SE-400C


Classification

Safety parameters:

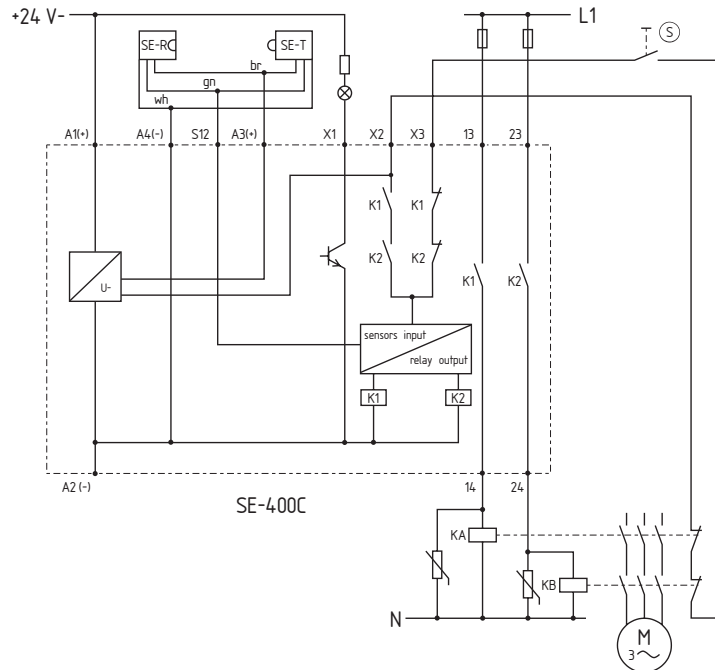
Standards:	EN ISO 13849-1; IEC 61508; IEC 60947-5-3
PL:	up to e
Category:	up to 4
PFH value:	5.0 x 10 ⁻⁹ /h for max. 36,500 switching cycles/year and max. 60% contact load
SIL:	up to 3
Mission time:	20 years

Safety edges

Note

- Monitoring the safety edges SE 40 / SE 70 with a safety monitoring unit SE-400C for PL e and category 4.
- The feedback circuit monitors positions of the contactors KA and KB.
- A Start-Reset- push button  can optionally be connected to the feedback circuit. Both re-initialization and auto-reset must comply with the requirements of EN 1760-2 (diagram A2, A3).

Wiring diagram

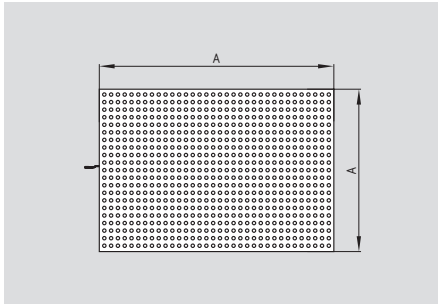


Note

- The wiring diagram is shown for the de-energized condition.
- The overall machine safety depends on the professional mounting and installation of the safety monitoring module and the signal transmitter, as well as on the correct and professional electrical connection of the components.
- If there is any risk whatsoever, the machine may not be restarted.
- Inductive loads (e.g. contactors, relays, etc.) are to be suppressed by means of a suitable circuit.

Safety mat

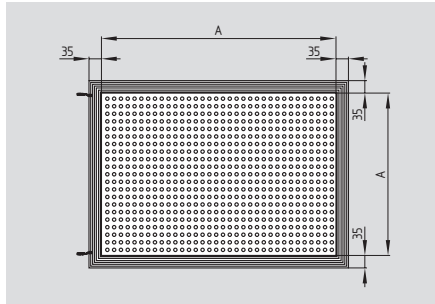
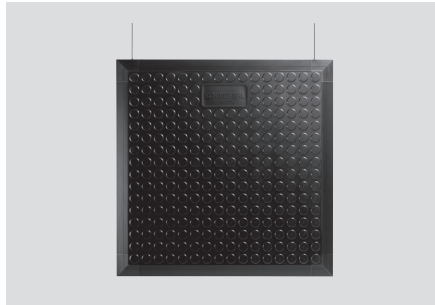
SMS 4



- Certified to EN 1760-1
- Response time max. 25 ms
- Robust design
- High resistance to chemicals
- Slip-free surface
- Cascading possible
- Special sizes and shapes available on request
- No additional terminating resistor required
- Aluminum frame and corner sections available

Legend:
A: active surface

SMS 5



- Certified to EN 1760-1
- Response time max. 25 ms
- Robust design
- High resistance to chemicals
- Slip-free surface
- Cascading possible
- Special sizes and shapes available on request
- No additional terminating resistor required
- With molded ramp profile

Legend: A: active surface
Total size = A + 2 x 35 mm

Technical data

Standards: EN 1760-1
Control category: 3 to EN 954-1
Surface material: polyurethane, black
Protection class: IP65 to EN 60529
Ambient temperature: 0° C ... +60°C
Fitting height: 14 mm
Weight: 17 Kg / m²
Actuating force: 150N
with round body Ø 80mm

Cable:
- SMS 4: 4 x 0,34 mm²
- SMS 5: 2 pc. 2 x 0,34 mm²
Cable length: 6 m
Response time: ≤ 25 ms
Mechanical life: >1.5 million operations
Admissible load: 2000 N / 80 mm Ø
Inactive edge: ≤ 10mm

Classification: (In combination with safety monitoring module SRB 301 HC)

Standards: EN ISO 13849-1; IEC 61508; IEC 60947-5-3

PL: up to d
Category: up to 3
PFH value: 1.0 x 10⁻⁷ /h for max. 52,500 switching cycles/year and max. 60% contact load

SIL: up to 2 in combination with safety monitoring module

Mission time: 20 years

Chemical resistance:
Water: Resistant
10% acids: Resistant
10% caustic solutions: Resistant
Oils: Resistant
Gasoline: Resistant

Other on request

Approvals



Approvals



Ordering details

SMS 4-①

No.	Option	Description
①	250-500	Active surface 250 x 500 mm
	500-500	500 x 500 mm
	500-1000	500 x 1000 mm
	750-1000	750 x 1000 mm
	1000-1000	1000 x 1000 mm
	1000-1500	1000 x 1500 mm

Ordering details

SMS 5-①

No.	Option	Description
①	250-500	Active surface 250 x 500 mm
	500-500	500 x 500 mm
	500-1000	500 x 1000 mm
	750-1000	750 x 1000 mm
	1000-1000	1000 x 1000 mm
	1000-1500	1000 x 1500 mm

Note

Safety Distance Calculations:

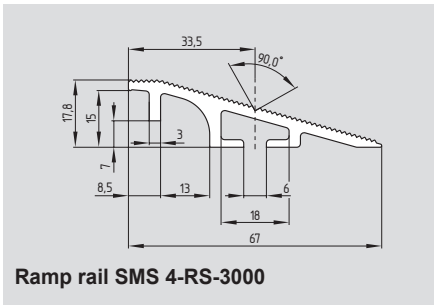
S = 1600 mm/s x (T) + 1200 mm

Legend:

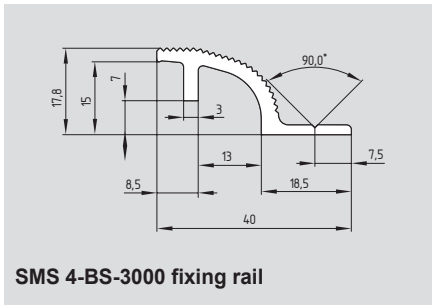
T = Total response time from triggering to machine stop, in seconds.

SMS 4 safety mats accessories

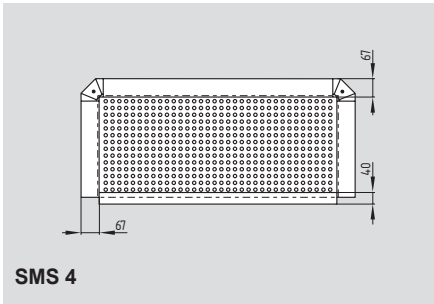
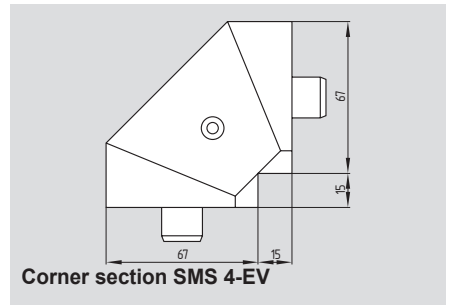
System components



System components



System components



Ordering details

Ramp rail
3000 mm long

SMS 4-RS 3000

Ordering details

Fixing rail
3000 mm long

SMS 4-BS-3000

Ordering details

Corner section (1 pc)

SMS 4-EV

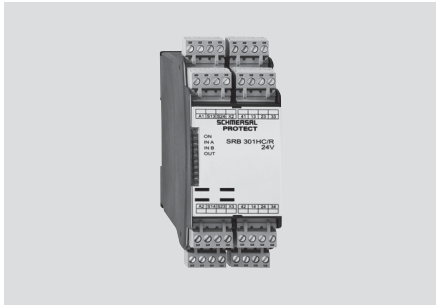
Precut trim kits
includes 4 rails, 4 corners sections

For mat size:

250 x 500 mm	SMS4-RS 250-500
500 x 500 mm	SMS4-RS 500-500
500 x 1000 mm	SMS4-RS 500-1000
750 x 1000 mm	SMS4-RS 750-1000
1000 x 1000 mm	SMS4-RS 1000-1000
1000 x 1500 mm	SMS4-RS 1000-1500

Safety mat

SRB 301HC



- Safety-monitoring module for safety mats
- 3 enabling contacts
- 1 signalling contact
- Cross-wire detection
- Feedback circuit to monitor external contactors
- Monitored start or automatic start
- LED status indication
- Plug-in terminals

Technical data

Standards:	IEC/EN 60204-1, IEC/EN 60947-5-1, EN ISO 13849-1; IEC 61508
Start conditions:	automatic or start button (optionally monitored)
With feedback circuit (Y/N):	yes
ON delay with reset button:	≤ 50 ms
Drop-out delay on „emergency stop“:	≤ 20 ms
Drop-out delay on „supply failure“:	≤ 100 ms
Rated operating voltage U_e :	48 ... 240 VAC; 24 VAC/DC
Frequency range:	50 / 60 Hz
Fuse rating for the operating voltage:	
230 VAC version: primary side:	smelting fuse, tripping current >1.0 A;
secondary side:	internal electronic fuse, tripping current > 0.12 A;
24 VAC/DC version:	internal electronic fuse, tripping current > 0.5 A
Internal electronic fuse (Y/N):	230 VAC version: no 24 VAC/DC version: yes
Current consumption:	230 VAC version: 1.6 W; 4.2 VA 24 VAC/DC version: 1.4 W; 3.3 VA
Inputs monitoring:	
-Cross-wire detection:	yes
- Wire breakage detection:	yes
- Earth leakage detection:	yes
Number of NC contacts:	2
Number of NO contacts:	0
Max. total line resistance:	40 W
Outputs:	
Stop category 0:	3
Stop category 1:	0
Number of safety contacts:	3
Number of signaling outputs:	1
Max. switching capacity of the safety contacts:	250 VAC, 8 A resistive (inductive with suitable protective circuit)
Utilization category to EN 60947-5-1:	AC-15: 230 V / 6 A; DC-13: 24 V / 6 A
Mechanical life:	107 operations
Ambient conditions:	
Operating ambient temperature:	-25°C ... +60°C
Storage and transport temperature:	-25°C ... +85°C
Protection class:	enclosure: IP40, terminals: IP20, terminal space: IP54
Mounting:	snaps onto standard DIN rails to DIN EN 60715
Connection type:	plug-in type screw terminals
- min. cable section:	0.25 mm ²
- max. cable section:	2.5 mm ²
Weight:	230 VAC version: 340 g; 24 VAC/DC version: 320 g
Dimensions (height/width/depth):	100 x 45 x 121 mm

Approvals



Ordering details

SRB 301HC/①-②

No.	Option	Description
①	R	Manual start
	T	Automatic start
②	230 V	48 ... 240 VAC
	24 V	24 VAC/DC

Classification

Safety parameters:

Standards:	EN ISO 13849-1, IEC 61508, EN 60947-5-1
PL:	STOP 0: up to e
Category:	STOP 0: up to 4
PFH value:	STOP 0: ≤ 2.00 x 10 ⁻⁸ /h
SIL:	STOP 0: up to 3
Mission time:	20 years

The PFH value of 2.00 x 10⁻⁸/h applies to the combinations of contact load (current through enabling contacts) and number of switching cycles (n-op/y) mentioned in the table below. At 365 operating days per year and a 24-hours operation, this results in the below-mentioned switching cycle times (t-cycle) for the relay contacts. Diverging applications upon request.

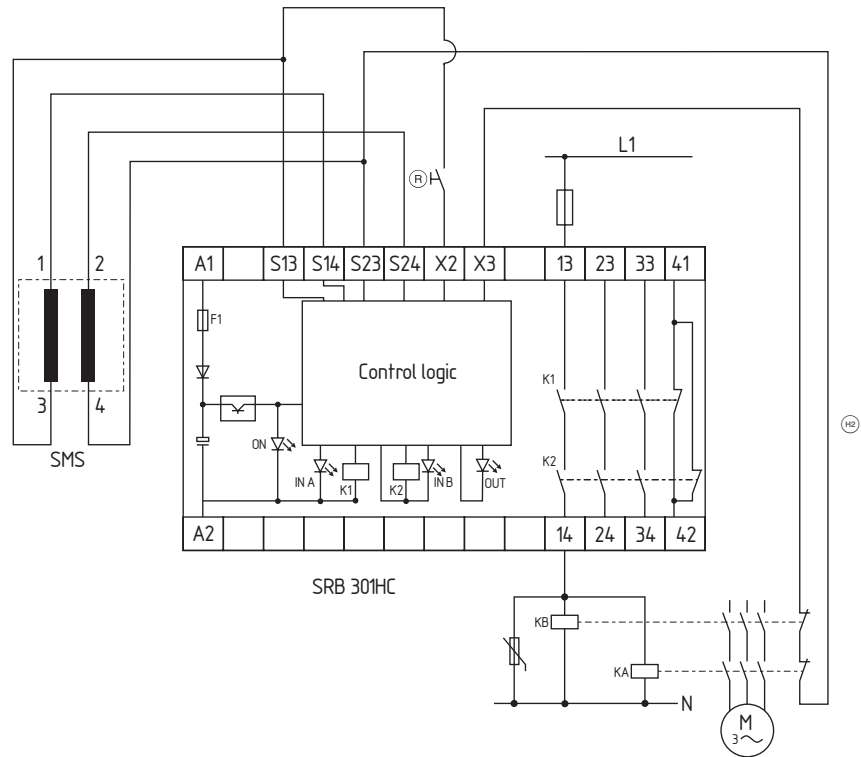
Contact load	n-op/y	t-cycle
20 %	525,600	1.0 min
40 %	210,240	2.5 min
60 %	75,087	7.0 min
80 %	30,918	17.0 min
100 %	12,223	43.0 min

Safety mat

Note

- Protection of a safety mat
- Start button with edge detection
- Feedback circuit (H) to monitor the external contactors
- Series-wiring of multiple safety mats possible
- Reset button (R)

Wiring example



LED

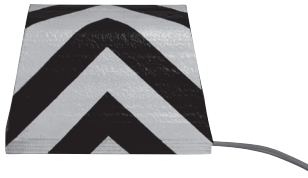
The integrated LEDs indicate the following operating states.

- Position relay K1
- Position relay K2
- Supply voltage U_B

Note

- The wiring example is shown with the safety mat in non-actuated and de-energized condition.
- Inductive loads (e.g. contactors, relays, etc.) are to be suppressed by means of a suitable circuit

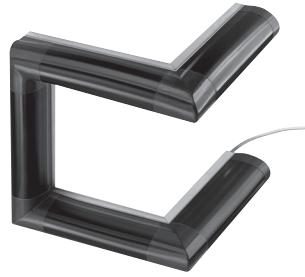
Further products and program extensions



SSG-SBL safety bumper

Safety bumpers are often used to monitor automated-guided vehicles or at rotating machine components where long run-ons, up to approximately 400 mm, can be expected.

Contrary to the conventional safety devices of this kind, the BIA-approved SSG-SBL has a dual-channel design. Several modules are available for signal monitoring.



STW-SL safety edges

Safety edges are used for the protection of shearing and crushing points.

Depending on the application, different rubber profiles and rails are available.

Special advantage: Depending on the system, geometrically more complicated and customer-specific models without dead corners can be produced.

Safe switching and monitoring

Optoelectronic safety devices



Schmersal offers a comprehensive range of active optoelectronic devices (AOPD) to provide non-separating safeguarding of hazardous areas, ranging from point of operation to danger zone or perimeter guarding. These “virtual safety guards” are available as safety light barriers, safety light grids and safety light curtains. They are available with different functions such as blanking, muting, cascading, or cyclic operation. IP69K versions are also available. A large assortment of accessories such as deflecting mirrors and mounting brackets helps the user in installing and using AOPD in his specific application

Our safety light curtains and grids feature one-piece extruded aluminum housings, in rectangular and circular profiles. This closed housing profile has proven to be less susceptible to mechanical damage, misalignment from torsion or bending, and relieves the stress normally put on the lens in other light curtains.

Further detailed information on this product group can be found in the Optoelectronics catalog

Safety light curtains and light grids

SLC 440COM	4-2
SLC 440	4-3
SLC 445	4-4
SLC 425I	4-5
SLC 420	4-8
SLC 220	4-12
Accessories	4-16

Safety light barriers

SLB 240	4-18
SLB 440	4-19

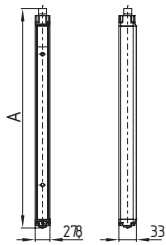
Safety distance calculations

see appendix	A-10
--------------	------



Safety light curtains and safety light grids

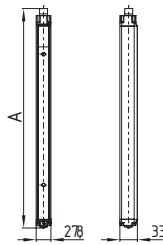
SLC 440COM



- **Safety light curtain**
- Type 4 to EN 61496-1, CLC/TS 61496-2
- Resolution 14 and 30 mm
- Protection field heights 330 mm ... 1930 mm
- Integrated start/restart interlock
- Diagnostic and setting mode
- Range from 0.3 m up to 10 m
- Fail-safe transistor outputs
- Illuminated LED end cap status indicator
- Protection class IP67

Legend: A = Total length
A = 41 mm + Protection field height

SLG 440COM



- **Safety light grid**
- 2-, 3- or 4-beam light grid
- Range 0.3 ... 12 m

Legend: A = Total length
2-beam A = 571 mm
3-beam A = 871 mm
4-beam A = 971 mm

Mounting brackets included in delivery

* for 14 mm resolution: range is 0.3 to 6 m

† for 35 mm resolution: range is 0.3 to 6 m

Technical data

Standards: EN 61496-1; CLC/TS 61496-2
EN ISO 13849, EN 62061
Category: Type 4
Enclosure: aluminum
Enclosure dimensions: 27.8 x 33 mm
Connection: Connector plug
- Emitter: M12, 4-pole,
- Receiver: M12, 4-pole or 5-pole
Max. cable length: 100 m / 1 Ω
Protection class: IP67 to EN 60529
Response time: 10 ... 28 ms (depends on length and resolution)

Detection sensitivity
(Resolution): 14 and 30 mm
Protection field height:
- light curtains 330 ... 1770 mm
- 2-, 3-, 4-beam light grids 500, 800, 900 mm
Protection field width, Range:
- Resolution 14, 35 mm 0.3 m ... 7 m*†
- Resolution 30 mm 0.3 m ... 10 m
- 2-, 3-, 4-beam 0.3 m ... 12 m
Start/restart interlock: Integrated
Light emission wavelength: 880 nm (infrared)
U_e: 24 VDC ± 10%
Safety outputs: 2 x PNP, 250 mA
Status and diagnostics: LED endcap
Ambient temperature: -10 °C ... +50 °C
Storage and transport temperature: -25 °C ... +70 °C

Classification:
Standards: EN ISO 13849-1; EN 62061
PL: up to e
Category: up to 4
PFH-value: 8.05 x 10⁻⁹ /h
SIL: up to 3
Service life: 20 years

Approvals



Ordering details

SLC 440COM-E/R①-②-01

No.	Option	Description
①	xxxx	Protected heights (mm) 0330, 0410, 0490, 0570, 0650, 0730, 0810, 0890, 0970, 1050, 1130, 1210, 1290, 1370, 1450, 1530* 1610*, 1690*, 1770*, 1850*†, 1930*†
②	Resolution (in mm, between beams)	
	14	range of 0.3 m ... 7 m
	30	range of 0.3 m ... 10 m
	35	range of 0.3 m ... 7 m

Ordering details

SLG 440COM-E/R①-01

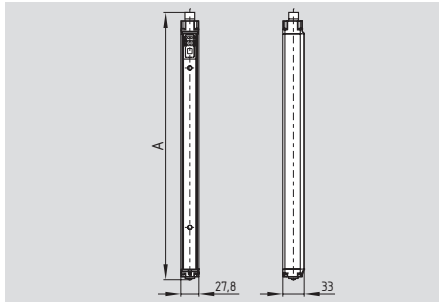
No.	Option	Description
①		Distance between outermost beams:
	0500-02	500 mm, 2-beam
	0800-03	800 mm, 3-beam
	0900-04	900 mm, 4-beam
		Range 0.3 ... 12 m

Ordering details

Connector: Female connector M12
for emitter & receiver (automatic restart)
4-pole cable, length 5 m **KA-0804**
4-pole cable, length 10 m **KA-0805**
4-pole cable, length 20 m **KA-0808**
for receiver (restart interlock)
5-pole cable, length 5 m **101209949**
5-pole cable, length 15 m **101209948**

Safety light curtains and safety light grids

SLC 440

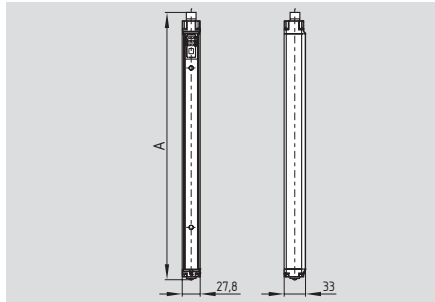


• Safety light curtain

- Type 4 to EN 61496-1, CLC/TS 61496-2
- Resolution 14 and 30 mm
- Protection field heights 170 mm ... 1930 mm
- Integrated start/restart interlock
- Integrated contactor control
- Integrated double acknowledgment/reset
- Integrated blanking function (fixed and mobile blanking)
- Diagnostic and parametrization interface
- Range 0,3 m ... 10 m
- Fail-safe transistor outputs
- Beam coding
- Illuminated LED end cap status indicator
- 7-segment display, rotatable 180°
- Protection class IP67

Legend: A = Total length
A = 81 mm + Protection field height

SLG 440



• Safety light grid

- 2-, 3- or 4-beam light grid
- Range 0.3 ... 12 m, high range up to 20 m

Legend: A = Total length
2-beam A = 610 mm
3-beam A = 910 mm
4-beam A = 1010 mm

Technical data

Standards: EN 61496-1; CLC/TS 61496-2
EN ISO 13849, EN 62061
Category: Type 4
Enclosure: aluminum
Enclosure dimensions: 27.8 x 33 mm
Connection: Connector plug
- Emitter: M12, 4-pole,
- Receiver: M12, 8-pole
Max. cable length: 100 m / 1 Ω
Protection class: IP67 to EN 60529
Response time: 10 ... 40 ms (depends on length and resolution)

Detection sensitivity (Resolution): 14 and 30 mm
Protection field height:
- Resolution 14 mm 170 ... 1930 mm
- Resolution 30 mm 170 ... 1930 mm
- 2-, 3-, 4-beam 500, 800, 900 mm

Protection field width, Range:
- Resolution 14 mm 0.3 m ... 7 m
- Resolution 30 mm 0.3 m ... 10 m
- 2-, 3-, 4-beam 0.3 m ... 20 m

Start/restart interlock: Integrated
Contactor control: Integrated
Blanking function: Integrated
Light emission wavelength: 880 nm (infrared)
U_e: 24 VDC ± 10%
Safety outputs: 2 x PNP, 250 mA
Status and diagnostics: LED-, 7-segment display

Ambient temperature: -25 °C ... +50 °C
Storage and transport temperature: -25 °C ... +70 °C

Classification:

Standards: EN ISO 13849-1; EN 62061
PL: up to e
Category: up to 4
PFH-value: 5,14 x 10⁻⁹ /h
8,14 x 10⁻⁹ /h
SIL: up to 3
Service life: 20 years

Approvals



Ordering details

SLC 440-E/R^{①-②}-01

No.	Option	Description
①	xxxx	Protected heights (mm) 0170, 0250, 0330, 0410, 0490, 0570, 0650, 0730, 0810, 0890, 0970, 1050, 1130, 1210, 1290, 1370, 1450, 1530, 1610, 1690, 1770, 1850, 1930
②	14	Resolution 14 mm with a range of 0.3 m ... 7 m
	30	Resolution 30 mm with a range of 0.3 m ... 10 m

Ordering details

SLG 440-E/R^{①-②}

No.	Option	Description
①		Distance between outermost beams:
	0500-02	500 mm, 2-beam
	0800-03	800 mm, 3-beam
	0900-04	900 mm, 4-beam
②	-01	Range 0.3 ... 12 m
	-H1	Range 3 ... 20 m

Mounting brackets included in delivery

Ordering details

Connector: Female connector M12

for emitter

4-pole cable, length 5 m **KA-0804**
4-pole cable, length 10 m **KA-0805**
4-pole cable, length 20 m **KA-0808**

for receiver

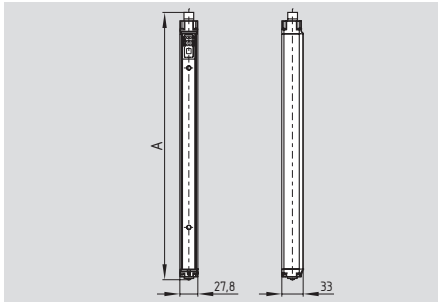
8-pole cable, length 5 m **KA-0904**
8-pole cable, length 10 m **KA-0905**
8-pole cable, length 20 m **KA-0908**

Cable for the parametrization

cable length 1 m **KA-0974**

Safety light curtains and safety light grids

SLC 445



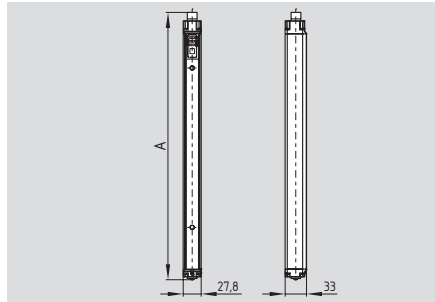
- **Safety light curtain**
- Type 4 to EN 61496-1, CLC/TS 61496-2
- Resolution 14 and 30 mm
- Protection field heights 170 mm ... 1770 mm
- Integrated start/restart interlock
- Integrated contactor control
- Integrated double acknowledgment/reset
- Integrated blanking function (fixed and mobile blanking)
- **Integrated muting function**
- **Integrated cyclic operation**
- **Integrated multiple sampling/scan**
- Diagnostic and parametrization interface
- Range 0,3 m ... 10 m
- Fail-safe transistor outputs
- Beam coding
- Illuminated LED end cap status indicator
- 7-segment display, rotatable 180°
- Protection class IP67

Legend: A = Total length (mm)
A = Protection field height + 81 (trans)/91 (rec)

Approvals



SLG 445



- **Safety light grid**
- 2-, 3- or 4-beam light grid
- Range 0.3 ... 12 m, high range up to 20 m

Legend: A = Total length

	Transmitter	Receiver
2-beam	A = 611 mm	621 mm
3-beam	A = 911 mm	921 mm
4-beam	A = 1011 mm	1021 mm

Approvals



Ordering details

SLC 445-E/R①-②-01

No.	Option	Description
①	xxxx	Protected heights (mm) 0170, 0250, 0330, 0410, 0490, 0570, 0650, 0730, 0810, 0890, 0970, 1050, 1130, 1210, 1290, 1370, 1450, 1530*, 1610*, 1690*, 1770*
②	14	Resolution 14 mm with a range of 0.3 m ... 7 m
	30	Resolution 30 mm with a range of 0.3 m ... 10 m

Ordering details

SLG 445-E/R①-②

No.	Option	Description
①		Distance between outermost beams:
	0500-02	500 mm, 2-beam
	0800-03	800 mm, 3-beam
	0900-04	900 mm, 4-beam
②	-01	Range 0.3 ... 12 m
	-H1	Range 3 ... 20 m

Mounting brackets included in delivery

* only for resolution 30 mm

Technical data

Standards: EN 61496-1; CLC/TS 61496-2
EN ISO 13849, EN 62061

Category: Type 4

Enclosure: aluminum

Enclosure dimensions: 27.8 x 33 mm

Connection: Connector plug

- Emitter: M12, 4-pole,

- Receiver: M12, 8- or 12-pole

Max. cable length: 100 m / 1 Ω

Protection class: IP67 to EN 60529

Response time: 10 ... 27 ms (depends on length and resolution)

Detection sensitivity (Resolution): 14 and 30 mm

Protection field height:

- Resolution 14 mm: 170 ... 1450 mm
- Resolution 30 mm: 170 ... 1770 mm
- 2-, 3-, 4-beam: 500, 800, 900 mm

Protection field width, Range:

- Resolution 14 mm: 0.3 m ... 7 m
- Resolution 30 mm: 0.3 m ... 10 m
- 2-, 3-, 4-beam: 0.3 m ... 20 m

Start/restart interlock: Integrated

Contactor control: Integrated

Blanking function: Integrated

Light emission wavelength: 880 nm (infrared)

U_e: 24 VDC ± 10%

Safety outputs: 2 x PNP, 250 mA

Status and diagnostics: LED-, 7-segment display

Ambient temperature: -25 °C ... +50 °C

Storage and transport temperature: -25 °C ... +70 °C

Classification:

Standards: EN ISO 13849-1; EN 62061

PL: up to e

Category: up to 4

PFH-value: 5.14 x 10⁻⁹ /h

SIL: up to 3

Service life: 20 years

Ordering details

Connector: Female connector M12

for emitter

4-pole cable, length 5 m	KA-0804
4-pole cable, length 10 m	KA-0805
4-pole cable, length 20 m	KA-0808

for receiver (without MCU-02)

8-pole cable, length 5 m	KA-0904
8-pole cable, length 10 m	KA-0905
8-pole cable, length 20 m	KA-0908

for receiver (with MCU-02)

12-pole cable, length 5 m	KA-0980
12-pole cable, length 10 m	KA-0981

Cable for the parametrization

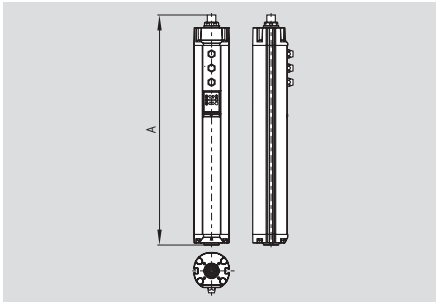
cable length 1 m	KA-0976
------------------	----------------

Muting Sets

see page 4-17

Safety light curtains and safety light grids

SLC 425I



- **Safety light curtain**
- Type 4 to IEC/EN 61496-1, -2
- Resolution 14 and 30 mm
- Protection field heights 170 mm ... 1770 mm
- Integrated start/restart interlock
- Integrated contactor control
- Integrated muting and override function
- Integrated blanking function (fixed and mobile blanking)
- Cyclic operation (1 ... 8 Cycles)
- Range 0.3 ... 10 m
- Fail-safe transistor outputs
- Optical synchronisation
- Status display
- Different muting sequences can be parameterized
- Protection class IP67

Legend: A = Total length

Emitter:

A = 84.5 mm + Protection field height

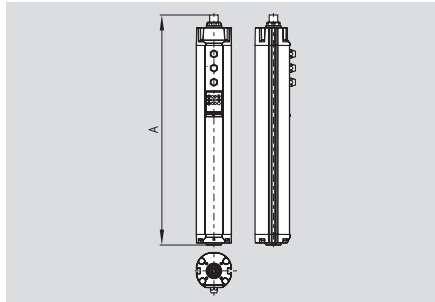
Receiver:

A = 148.5 mm + Protection field height

Approvals



SLG 425I



- **Safety light grid**
- 2-, 3-, 4-beam light grid
- Protection field heights 500, 800 or 900 mm
- Range 0.3 ... 18 m

Legend: A = Total length

Emitter:

2-beam A = 804 mm
3 and 4-beam A = 1124 mm

Receiver:

2-beam A = 868 mm
3 and 4-beam A = 1188 mm

Approvals



Technical data

Standards: IEC/EN 61496-1/-2
 Category: Type 4
 Enclosure: aluminum
 Enclosure dimensions: Ø 49 mm
 Connection: Connector plug
 - Emitter: M12, 4-pole,
 - Receiver: M12, 8-pole,
 - Muting sensors: 2 x connector plugs
 M8, 3-pole
 - Muting lamp: M8, 3-pole
 Max. cable length: 100 m / 1 Ω
 Protection class: IP67 to EN 60529
 Response time: 7 ... 28.5 ms (Depends on length and resolution)

Detection sensitivity (Resolution): 14 and 30 mm
 Protection field height:
 - Resolution 14 mm 170 ... 1450 mm
 - Resolution 30 mm 170 ... 1770 mm
 - 2-, 3-, 4-beam 500, 800, 900 mm
 Protection field width, Range:
 - Resolution 14 mm 0.3 m ... 7 m
 - Resolution 30 mm 0.3 m ... 10 m
 - 2-, 3-, 4-beam 0.3 m ... 18 m
 Start/restart interlock: Integrated
 Contactor control: Integrated
 Muting and override function: Integrated
 Muting sensors: 2 or 4 external sensors
 Light emission wavelength: 880 nm (infrared)
 U_e: 24 VDC ± 10%
 Safety outputs: 2 x PNP, 500 mA
 Power consumption: Emitter 4 W
 Receiver 8 W
 Data interface: RS 485
 Status and diagnostics: LED display
 Ambient temperature: -10 °C ... +50 °C
 Storage and transport temperature: -20 °C ... +70 °C

Classification:

Standards: EN ISO 13849-1; IEC 61508; IEC 60947-5-3

PL: up to e
 Category: up to 4
 PFH-value: 7.42 x 10⁻⁹/h
 SIL: up to 3
 Service life: 20 years

Ordering details

SLC 425I-E/R①-②-RFBC

No.	Option	Description
①	xxxx	Protected heights (mm) 0170, 0250, 0330, 0410, 0490, 0570, 0650, 0730, 0810, 0890, 0970, 1050, 1130, 1210, 1290, 1370, 1450, 1530*, 1610*, 1690*, 1770*
②	14, 30	Resolution 14 mm, 30 mm

Ordering details

SLG 425I-E/R①-RF

No.	Option	Description
①	Distance between outermost beams:	
	0500-02	500 mm, 2-beam
	0800-03	800 mm, 3-beam
	0900-04	900 mm, 4-beam

Mounting brackets are included in the delivery.

Note:

* only for resolution 30 mm

Ordering details

Connector:

Female connector M12, 4-pole straight
for emitter
 cable length 5 m **KA-0804**
 cable length 10 m **KA-0805**
 cable length 20 m **KA-0808**

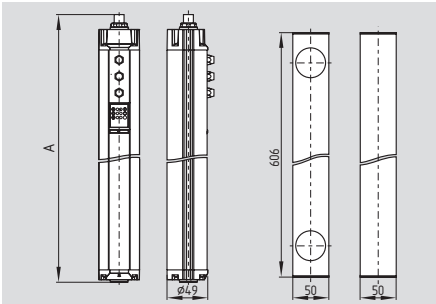
Female connector M12, 8-pole straight
for receiver
 cable length 5 m **KA-0904**
 cable length 10 m **KA-0905**
 cable length 20 m **KA-0908**

Connecting cable for the muting sensors
 M8, 3-pole to M12, 4-pole, 2 m **KA-0965**

Converter for the parametrization NSR 0801

Safety light curtains and safety light grids

SLG 425-IP



• Safety light grid

- Emitter and receiver in one enclosure (retro reflector)
- Type 4 to IEC/EN 61496-1, -2
- Protection field heights 500 mm
- 2-beam light grid
- Integrated start/restart interlock
- Integrated muting and override function
- Range 0.3 m ... 7 m
- Fail-safe transistor outputs
- Status display
- Protection class IP67

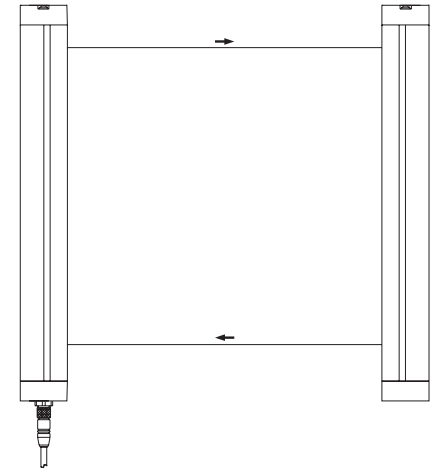
Technical data

Standards:	IEC/EN 61496-1/-2
Category:	Type 4
Enclosure:	aluminum
Enclosure dimensions:	Ø 49 mm
Deflecting mirror:	50 x 50 x 606 mm
Connection:	Connector plug
- emitter/receiver:	M12, 8-pole
Max. cable length:	100 m / 1 Ω
Protection class:	IP67 to EN 60529
Response time:	15 ms
Detection sensitivity (Resolution):	500 mm
Protection field height:	500 mm
Protection field width, Range:	0.3 m ... 7 m
Start/restart interlock:	Integrated
Light emission wavelength:	880 nm (infrared)
U _e :	24 VDC ± 10%
Safety outputs:	2 x PNP, 500 mA
Power consumption:	10 W
Data interface:	RS 485
Status and diagnostics:	LED display
Ambient temperature:	-10 °C ... +50 °C
Storage and transport temperature:	-20 °C ... +70 °C

Classification:

Standards:	EN ISO 13849-1; IEC 61508; IEC 60947-5-3
PL:	up to e
Category:	up to 4
PFH-value:	7.42 x 10 ⁻⁹ /h
SIL:	up to 3
Service life:	20 years

Technical data



Approvals



Ordering details

SLG 425IP-E/R0500-02-RF
ULS-P-0501

Light grid
Deflecting mirror

Note

Mounting brackets are included in the delivery.

Note

Converter for the parametrization NSR 0801

Ordering details

Connector:

Female connector M12, 8-pole straight
cable length 5 m
cable length 10 m
cable length 20 m

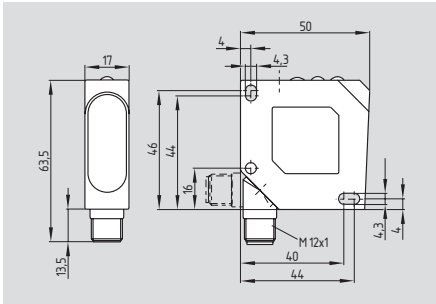
KA-0904

KA-0905

KA-0908

Safety light curtains and safety light grids

LF 50-11P



- Muting sensor for Safety Light Curtains
- Range up to 5.5 m
- Connector plug can be rotated
- LED status display
- Protection class IP67
- Infrared light 660 nm
- Laser protection class 1
- Polarisation filter
- Antivalent switching outputs

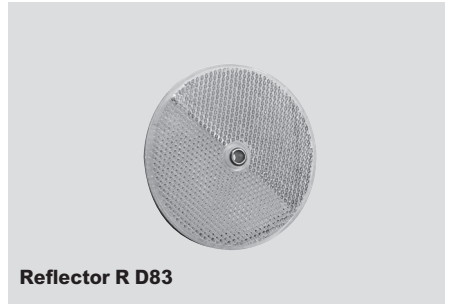
Technical data

Standards:	EN 60974-5-2
Laser protection class 1	EN 60825-1-10/03
Enclosure:	ABS
Enclosure dimensions:	50 x 50 x 17 mm
Connection:	Connector plug M12, 4-pole, can be rotated
Max. cable length:	100 m
Protection class:	IP67
Switching frequency:	2500 Hz
Range:	0 ... 5.5 m
Infrared laser light:	660 nm
U _e :	10 ... 30 VDC
Switching output:	2 x PNP 200 mA
Beam diameter:	5 ... 24 mm
LED status display:	soiling, switching condition and power on
Ambient temperature:	-20 °C ... +60 °C
Storage and transport temperature:	-20 °C ... +80 °C

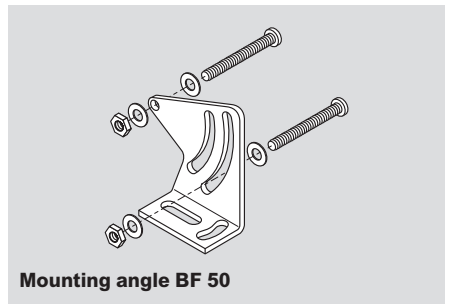
System components



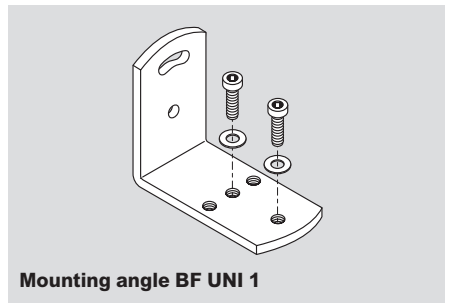
Reflector R 51 x 61-L



Reflector R D83



Mounting angle BF 50



Mounting angle BF UNI 1

Approvals



Ordering details

LF 50-11P

Note:

System components (cables, mounting angles, etc.) not included in the delivery.

Ordering details

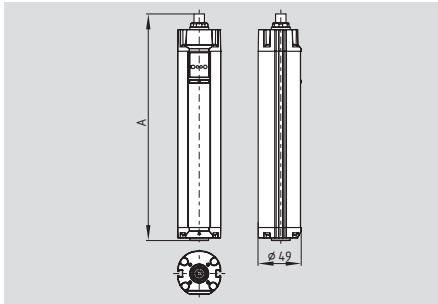
Connector M12, 4-pole straight	
without cable	KD M12-4
with cable 2 m	KD M12-4-2M
with cable 5 m	KD M12-4-5M
Connecting cable to connect SLG 425I	
M12, 4-pole to M8, 3-pole, 2 m	KA-0965

Ordering details

Reflector	R 51 x 61-L
Reflector	R D83
Mounting angle	BF 50
Mounting angle universal	BF UNI 1

Safety light curtains and safety light grids

SLC 420 standard



- **Safety light curtain**
- Type 4 to IEC/EN 61496-1, -2
- Resolution 14, 30 and 50 mm
- Protection field heights 170 mm ... 1770 mm
- Integrated start/restart interlock
- Integrated contactor control
- Integrated blanking function (fixed and mobile blanking)
- Diagnostic and parametrization interface
- Range 0.3 m ... 18 m
- Fail-safe transistor outputs
- Optical synchronisation
- Status display
- Protection class IP67

Legend: A = Total length
A = 84.5 mm + Protection field height

Approvals

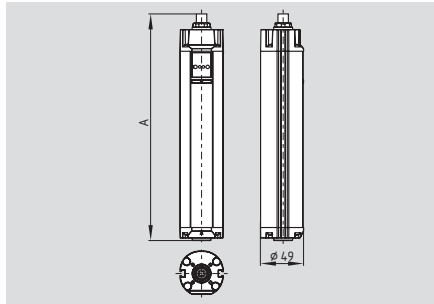


Ordering details

SLC 420-E/R^①-RFB^②

No.	Option	Description
①	xxxx	Protected heights (mm) available lengths: 0170, 0250, 0330, 0410, 0490, 0570, 0650, 0730, 0810, 0890, 0970, 1050, 1130, 1210, 1290, 1370, 1450, 1530*, 1610*, 1690*, 1770*
②	14, 30, 50	Resolution 14, 30, 50 mm
③		Range 0.3 m ... 7 m** Range 0.3 m ... 10 m * High Range 0.3 m ... 18 m

SLG 420 standard



- **Safety light grid**
- 2-, 3- or 4-beam light grid
- Range 0.3 ... 40 m

Legend: A = Total length
2-beam A = 734.5 mm
3 and 4-beam A = 1054.5 mm

Ordering details

SLG 420-E/R^①-RF^②

No.	Option	Description
①		Distance between outermost beams: 0500-02 500 mm, 2-beam 0800-03 800 mm, 3-beam 0900-04 900 mm, 4-beam
②	H	Range 0.3 m ... 18 m Range 8 m ... 40 m

Mounting brackets are included in the delivery.

Note:

* only for resolution 30 mm, 50 mm

** only for resolution 14 mm

*** only for resolution 30 mm

Converter for the parametrization NSR 0801

Technical data

Standards:	IEC/EN 61496-1/-2
Category:	Type 4
Enclosure:	aluminum
Enclosure dimensions:	Ø 49 mm
Connection:	Connector plug
- Emitter:	M12, 4-pole,
- Receiver:	M12, 8-pole
Max. cable length:	100 m / 1 Ω
Protection class:	IP67 to EN 60529
Response time:	10 ... 27 ms (depends on length and resolution)

Detection sensitivity (Resolution):	14, 30 and 50 mm
Protection field height:	
- Resolution 14 mm	170 ... 1450 mm
- Resolution 30, 50 mm	170 ... 1770 mm
- 2-, 3-, 4-beam	500, 800, 900 mm
Protection field width, Range:	
- Resolution 14 mm	0.3 m ... 7 m
- Resolution 30, 50 mm	0.3 m ... 10 m
- High Range/Resolution 30 mm	0.3 m ... 18 m
- 2-, 3-, 4-beam	0.3 m ... 18 m
- High Range 2-, 3-, 4-beam	8 m ... 40 m
Start/restart interlock:	Integrated
Contactor control:	Integrated
Blanking function:	Integrated
Cascading: (Master/Slave)	-
Light emission wavelength:	880 nm (infrared)
U _e :	24 VDC ± 10%
Safety outputs:	2 x PNP, 500 mA
Power consumption:	Emitter 4 W, Receiver 8 W
Data interface:	RS 485
Status and diagnostics:	LED display
Ambient temperature:	-10 °C ... +50 °C
Storage and transport temperature:	-20 °C ... +70 °C

Classification:

Standards:	EN ISO 13849-1; IEC 61508; IEC 60947-5-3
PL:	up to e
Category:	up to 4
PFH-value:	7.42 x 10 ⁻⁹ /h
SIL:	up to 3
Service life:	20 years

Ordering details

Connector:

Female connector M12, 4-pole straight

for emitter

cable length 5 m	KA-0804
cable length 10 m	KA-0805
cable length 20 m	KA-0808

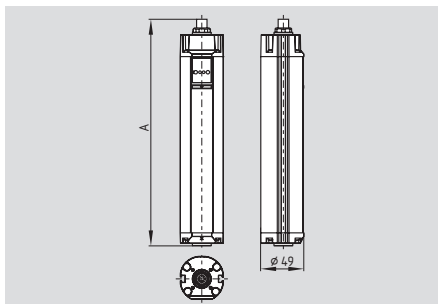
Female connector M12, 8-pole straight

for receiver

cable length 5 m	KA-0904
cable length 10 m	KA-0905
cable length 20 m	KA-0908

Safety light curtains and safety light grids

SLC 420 Master / Slave



- **Safety light curtain**
- Type 4 to IEC/EN 61496-1, -2
- Resolution 14, 30 and 50 mm
- Protection field height:
 - Master 170 mm ... 1770 mm
 - Slave 170 mm ... 650 mm
- Integrated start/restart interlock
- Integrated contactor control
- Integrated blanking function
- Diagnostic and parametrization interface
- Cascading of Master and Slave devices
- Range 0.3 m ... 18 m
- Fail-safe transistor outputs
- Optical synchronisation
- Status display

Legend: A = Total length
A = 84.5 mm + Protection field height

Approvals



Technical data

Standards: IEC/EN 61496-1/-2
 Category: Type 4
 Enclosure: aluminum
 Enclosure dimensions: Ø 49 mm
 Connection: Connector plug
 - Master emitter: M12, 4-pole
 - Master receiver: M12, 8-pole
 - Slave emitter: M12, 4-pole
 - Slave receiver: M12, 8-pole
 Max. cable length: 100 m / 1 Ω
 Max. cable length: (Master/Slave) 0.8 m
 Protection class: IP67 to EN 60529
 Response time: 10 ... 37 ms (Depends on length and resolution)

Detection sensitivity (Resolution): 14, 30 and 50 mm
 Protection field height:
 - Resolution 14 mm 170 ... 2100 mm
 - Resolution 30, 50 mm 170 ... 2420 mm
 Protection field width, Range:
 - Resolution 14 mm 0.3 m ... 7 m
 - Resolution 30, 50 mm 0.3 m ... 10 m
 - High Range 0.3 m ... 18 m
 Start/restart interlock: Integrated
 Contactor control: Integrated
 Blanking function: Integrated
 Cascading: (Master/Slave) Possible
 Light emission wavelength: 880 nm (infrared)
 U_e: 24 VDC ± 10%
 Safety outputs: 2 x PNP, 500 mA
 Power consumption: Emitter 4 W, Receiver 8 W
 Data interface: RS 485
 Status and diagnostics: LED display
 Ambient temperature: -10 °C ... +50 °C
 Storage and transport temperature: -20 °C ... +70 °C

Classification:

Standards: EN ISO 13849-1; IEC 61508; IEC 60947-5-3
 PL: up to e
 Category: up to 4
 PFH-value: 7.42 x 10⁻⁹/h
 SIL: up to 3
 Service life: 20 years

System components



Connector

Ordering details

SLC 420-E/R^①-②-RFB-③④

No.	Option	Description
①	xxxx	Protected heights (mm) available lengths: 0170, 0250, 0330, 0410, 0490, 0570, 0650, 0730, 0810, 0890, 0970, 1050, 1130, 1210, 1290, 1370, 1450, 1530*, 1610*, 1690*, 1770*
②	14, 30, 50	Resolution 14, 30, 50 mm
③		Range 0.3 m ... 7 m** Range 0.3 m ... 10 m* High Range 0.3 m ... 18 m
	H*	

Ordering details

SLC 420-E/R^①-②-RFB-③④

No.	Option	Description
④	M	Master function
	S***	Slave function

Mounting brackets are included in the delivery.

Note:
 * only for resolution 30 and 50 mm
 ** only for resolution 14 mm
 *** Protection field heights 170 ... 650 mm

Converter for the parametrization NSR 0801

Ordering details

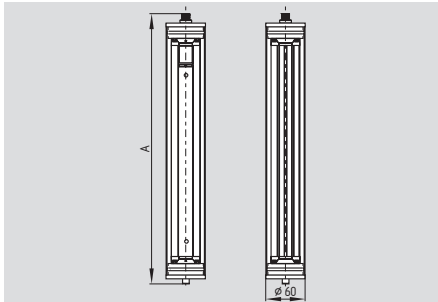
Connector:

Female connector M12, 4-pole straight
for emitter
 cable length 5 m **KA-0804**
 cable length 10 m **KA-0805**
 cable length 20 m **KA-0808**
 Female connector M12, 8-pole straight
for receiver
 cable length 5 m **KA-0904**
 cable length 10 m **KA-0905**
 cable length 20 m **KA-0908**

for Master/Slave connection:
for emitter cable length 0.8 m **KA-0810**
 Female connector M12, 8-pole straight
for receiver cable length 0.8 m **KA-0901**

Safety light curtains and safety light grids

SLC 420 IP69K



- **Safety light curtain**
- Type 4 to IEC/EN 61496-1, -2
- Resolution 14 mm, 30 mm
- Protection field heights 170 mm ... 1450 mm
- Protection class IP69K
- Integrated start/restart interlock
- Integrated contactor control
- Integrated blanking function (fixed and mobile blanking)
- Diagnostic and parametrization interface
- Range 0.3 m ... 10 m
- Fail-safe transistor outputs
- Optical synchronisation
- Status display

Legend: A = Total length
A = 97 mm + Protection field height

Approvals

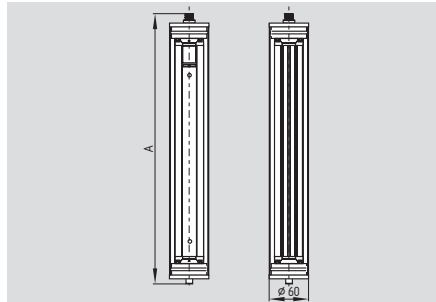


Ordering details

SLC 420-E/R^①-②-69-RFB

No.	Option	Description
①	xxxx	Protected heights (mm) available lengths: 0170, 0250, 0330, 0410, 0490, 0570, 0650, 0730, 0810, 0890, 0970, 1050, 1130, 1210, 1290, 1370, 1450
②	14	Resolution 14 mm with a range of 0.3 m ... 7 m
	30	Resolution 30 mm with a range of 0.3 m ... 10 m

SLG 420 IP69K



- **Safety light grid**
- 2-, 3- or 4-beam light grid
- Range 0.3 ... 18 m

Legend: A = Total length
2-beam A = 747 mm
3 and 4-beam A = 1067 mm

Approvals



Ordering details

SLG 420-E/R^①-69-RF

No.	Option	Description
①		Distance between outermost beams: 0500-02 500 mm, 2-beam 0800-03 800 mm, 3-beam 0900-04 900 mm, 4-beam

Mounting brackets (**V4A**) are included in the delivery.

Note:
Converter for the parametrization NSR 0801

Technical data

Standards: IEC/EN 61496-1/-2
Category: Type 4
Enclosure: aluminum protective tube housing PMMA
Enclosure dimensions: Ø 60 mm
Connection: Cable (5 m) with
- Receiver connector M12, 8-pole
- Emitter connector M12, 4-pole
Max. cable length: 100 m / 1 Ω
Protection class: IP69K to EN 60529
Response time: 10 ... 27 ms (depends on length and resolution)

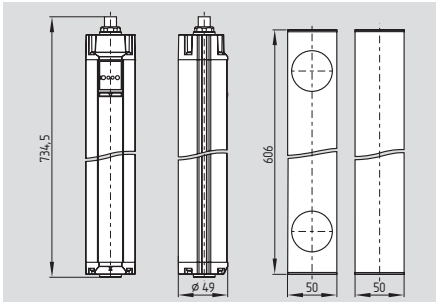
Detection sensitivity (Resolution): 14, 30 mm
Protection field height:
- Resolution 14, 30 mm 170 ... 1450 mm
- 2-, 3-, 4-beam 500, 800, 900 mm
Protection field width, Range:
- Resolution 14 mm 0.3 m ... 7 m
- Resolution 30 mm 0.3 m ... 10 m
- 2-, 3-, 4-beam 0.3 m ... 18 m
Start/restart interlock: Integrated
Contactor control: Integrated
Blanking function: Integrated
Cascading: (Master/Slave) -
Light emission wavelength: 880 nm (infrared)
U_e: 24 VDC ± 10%
Safety outputs: 2 x PNP, 500 mA
Power consumption: Emitter 4 W, Receiver 8 W

Data interface: RS 485
Status and diagnostics: LED display
Ambient temperature: -10 °C ... +50 °C
Storage and transport temperature: -20 °C ... +70 °C

Classification:
Standards: EN ISO 13849-1; IEC 61508; IEC 60947-5-3
PL: up to e
Category: up to 4
PFH-value: 7.42 x 10⁻⁹/h
SIL: up to 3
Service life: 20 years

Safety light curtains and safety light grids

SLG 422-P



- **Safety light grid**
- Emitter and receiver in one enclosure (retro reflector)
- Type 4 to IEC/EN 61496-1, -2
- Protection field heights 500 mm
- 2-beam light grid
- Integrated start/restart interlock
- Integrated contactor control
- Range 0.3 m ... 7 m
- Fail-safe transistor outputs
- Status display
- Protection class IP67

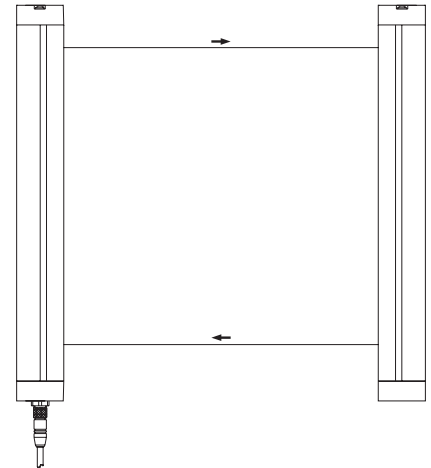
Technical data

Standards:	IEC/EN 61496-1/-2
Category:	Type 4
Enclosure:	aluminum
Enclosure dimensions:	Ø 49 mm
Deflecting mirror:	50 x 50 x 606 mm
Connection:	Connector plug M12, 8-pole
Max. cable length:	100 m / 1 Ω
Protection class:	IP67 to EN 60529
Response time:	10 ms
Detection sensitivity (Resolution):	500 mm
Protection field height:	500 mm
Protection field width, Range:	0.3 m ... 7 m
Start/restart interlock:	Integrated
Contact control:	Integrated
Light emission wavelength:	880 nm (infrared)
U _e :	24 VDC ± 10%
Safety outputs:	2 x PNP, 500 mA
Power consumption:	10 W
Data interface:	-
Status and diagnostics:	LED display
Ambient temperature:	-10 °C ... +50 °C
Storage and transport temperature:	-20 °C ... +70 °C

Classification:

Standards:	EN ISO 13849-1; IEC 61508; IEC 60947-5-3
PL:	up to e
Category:	up to 4
PFH-value:	7.42 x 10 ⁻⁹ /h
SIL:	up to 3
Service life:	20 years

Technical data



Approvals



Ordering details

SLG 422-P-E/R0500-02-RF Light grid
ULS-P-0501 Deflecting mirror

Note

Mounting brackets are included in the delivery.

Note:

Converter for the parametrization NSR 0801

Ordering details

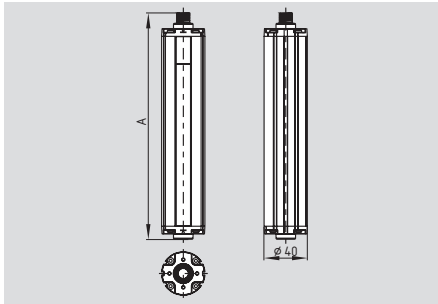
Connector:

Female connector M12, 8-pole straight
cable length 5 m
cable length 10 m
cable length 20 m

KA-0904
KA-0905
KA-0908

Safety light curtains and safety light grids

SLC 220 standard



- **Safety light curtain**
- Type 2 to IEC/EN 61496-1, -2
- Resolution 30 and 80 mm
- Protection field heights 175 mm ... 1675 mm
- Integrated start/restart interlock
- Integrated contactor control
- Integrated blanking function
- Diagnostic and parametrization interface
- Range 0.3 m ... 14 m
- Integrated self-test
- Fail-safe transistor outputs
- Status display
- Protection class IP65
- Signaling output

Legend: A = Total length

Protection field height 175 mm

A = 216 mm

Protection field height 250 ... 1675 mm

A = 28.5 mm + Protection field height

Approvals



Ordering details

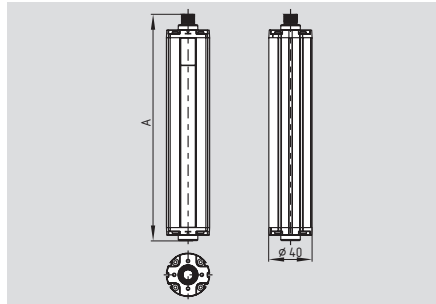
SLC 220-E/R^①-^②RFB-^③

No.	Option	Description
①	xxxx	Protected heights (mm), available lengths: 0175*, 0250*, 0325, 0475, 0625, 0775, 0925, 1075, 1225, 1375, 1525, 1675
②	30, 80	Resolution 30, 80 mm
③	H	Range 0.3 m ... 6 m High Range 4 m ... 14 m

Note:

* only for resolution 30 mm

SLG 220 standard



- **Safety light grid**
- 2-, 3- or 4-beam light grid
- Range 0.3 ... 30 m

Legend: A = Total length

A = 78.5 mm + Distance between outermost beams

Approvals



Ordering details

SLG 220-E/R^①RF-^②

No.	Option	Description
①		Distance between outermost beams: 0500-02 500 mm, 2-beam 0800-03 800 mm, 3-beam 0900-04 900 mm, 4-beam
②	H	Range 0.3 m ... 6 m High Range 5 m ... 30 m

Mounting brackets are included in the delivery.

Note:

Converter for the parametrization NSR 0700

Technical data

Standards:	IEC/EN 61496-1/-2
Category:	Type 2
Enclosure:	aluminum
Enclosure dimensions:	Ø 40 mm
Connection:	Connector plug M12, 8-pole
Max. cable length:	100 m / 1Ω
Protection class:	IP65 to EN 60529
Response time:	9 ... 45 ms (depends on length and resolution)

Detection sensitivity (Resolution):	30 and 80 mm
Protection field height:	
- Resolution 30 mm	175 ... 1675 mm
- Resolution 80 mm	325 ... 1675 mm
- 2-, 3-, 4-beam	500, 800, 900 mm

Protection field width, Range:	0.3 ... 6 m (Standard),
- SLC	4 ... 14 m (High range)
- SLG	5 ... 30 m (High range)

Start/restart interlock:	Integrated
Contact control:	Integrated
Blanking function:	Integrated
Light emission wavelength:	880 nm (infrared)
U _e :	24 VDC ± 10%
Safety outputs:	2 x PNP, 200 mA
Signaling output:	PNP 100 mA
Power consumption:	Emitter 4 W, Receiver 8 W

Data interface:	RS 485
Status and diagnostics:	LED display
Ambient temperature:	-10 °C ... +50 °C
Storage and transport temperature:	-20 °C ... +70 °C

Classification:

Standards:	EN ISO 13849-1; IEC 61508; IEC 60947-5-3
------------	---

PL:	up to d
Category:	up to 2
PFH-value:	3.59 x 10 ⁻⁸ /h
SIL:	up to 2
Service life:	20 years

Ordering details

Connector:

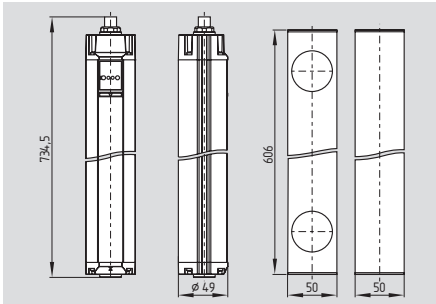
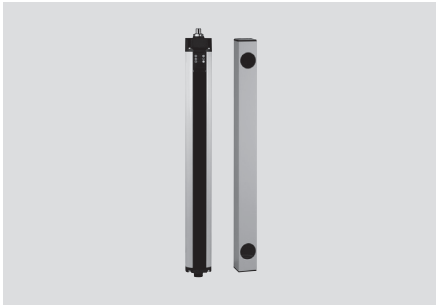
Female connector M12, 8-pole straight

for emitter/receiver

cable length 5 m	KA-0904
cable length 10 m	KA-0905
cable length 20 m	KA-0908

Safety light curtains and safety light grids

SLG 220-P



- **Safety light grid**
- Emitter and receiver in one enclosure (retro reflector)
- Type 2 to IEC/EN 61496-1, -2
- Protection field heights 500 mm
- 2-beam light grid
- Range 0.3 m ... 6 m
- Fail-safe transistor outputs
- Status display
- Protection class IP65

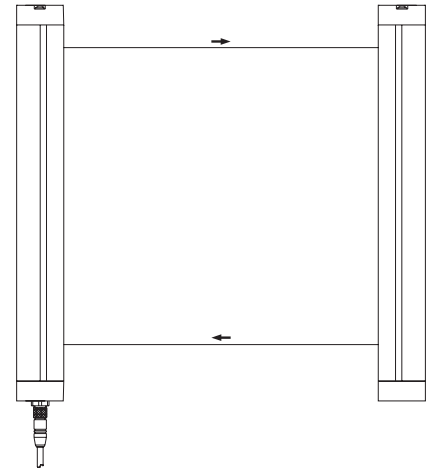
Technical data

Standards: IEC/EN 61496-1/-2
 Category: Type 2
 Enclosure: aluminum
 Enclosure dimensions: Ø 40 mm
 Deflecting mirror: 50 x 50 x 606 mm
 Connection: Connector plug
 M12, 8-pole
 Max. cable length: 100 m / 1 Ω
 Protection class: IP65 to EN 60529
 Response time: 12 ms
 Detection sensitivity (Resolution): 500 mm
 Protection field height: 500 mm
 Protection field width, Range: 0.3 m ... 6 m
 Light emission wavelength: 880 nm (infrared)
 U_e: 24 VDC ± 10%
 Safety outputs: 2 x PNP, 200 mA
 Signaling output: PNP, 100 mA
 Power consumption: 10 W
 Data interface: -
 Status and diagnostics: LED display
 Ambient temperature: -10 °C ... +50 °C
 Storage and transport temperature: -20 °C ... +70 °C

Classification:

Standards: EN ISO 13849-1; IEC 61508;
 IEC 60947-5-3
 PL: up to d
 Category: up to 2
 PFH-value: 3.59 x 10⁻⁷/h
 SIL: up to 2
 Service life: 20 years

Technical data



Approvals



Ordering details

SLG 220-P-E/R0500-02RF Light grid
ULS-P-0500 Deflecting mirror

Note

Mounting brackets are included in the delivery.

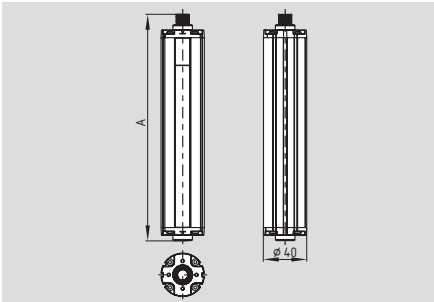
Note:
 Converter for the parametrization NSR 0700

Ordering details

Connector:
 Female connector M12, 8-pole straight
 cable length 5 m **KA-0904**
 cable length 10 m **KA-0905**
 cable length 20 m **KA-0908**

Safety light curtains and safety light grids

SLC 220 Master / Slave



- **Safety light curtain**
- Type 2 to IEC/EN 61496-1, -2
- Resolution 30 and 80 mm
- Protection field height:
Master 175 mm ... 1675 mm
Slave 325 mm ... 775 mm
- Integrated start/restart interlock
- Integrated contactor control
- Diagnostic and parametrization interface
- Cascading of Master and Slave devices
- Range 0.3 m ... 6 m
- Fail-safe transistor outputs
- Status display
- Protection class IP65
- Signaling output
- Integrated self-test

Legend: A = Total length

Protection field height 175 mm

A = 216 mm

Protection field height 250 ... 1675 mm

A = 28.5 mm + Protection field height

Technical data

Standards: IEC/EN 61496-1/-2
 Category: Type 2
 Enclosure: aluminum
 Enclosure dimensions: Ø 40 mm
 Connection: Connector plug
 - Master emitter: M12, 8-pole
 - Master receiver: M12, 8-pole
 - Slave emitter: M12, 6-pole
 - Slave receiver: M12, 6-pole
 Max. cable length: 100 m / 1Ω
 Max. cable length: (Master/Slave) 0.3 m
 Protection class: IP65 to EN 60529
 Response time: 12 ... 65 ms (depends on length and resolution)

Detection sensitivity (Resolution): 30 and 80 mm
 Protection field height:
 - Resolution 30 mm 175 ... 2450 mm
 - Resolution 80 mm 325 ... 2450 mm
 Protection field width, Range: 0.3 ... 6 m
 Start/restart interlock: Integrated
 Contactor control: Integrated
 Cascading: (Master/Slave) Possible
 Light emission wavelength: 880 nm (infrared)
 U_e: 24 VDC ± 10%
 Safety outputs: 2 x PNP, 200 mA
 Signaling output: PNP, 100 mA
 Power consumption: Emitter 4 W, Receiver 8 W
 Data interface: RS 485
 Status and diagnostics: LED display
 Ambient temperature: -10 °C ... +50 °C
 Storage and transport temperature: -20 °C ... +70 °C

Classification:

Standards: EN ISO 13849-1; IEC 61508; IEC 60947-5-3
 PL: up to d
 Category: up to 2
 PFH-value: 3.59 x 10⁻⁹/h
 SIL: up to 2
 Service life: 20 years

System components



Connector

Approvals



Ordering details

SLC 220-E/R①-②-RFB③

No.	Option	Description
①	xxxx	Protected heights (mm), available lengths: 0175*, 0250*, 0325, 0475, 0625, 0775, 0925, 1075, 1225, 1375, 1525, 1675
②	30	Resolution 30mm
	80	Resolution 80mm
③	M	Master function
	S	Slave function**

Ordering details

Note:

- * only for resolution 30 mm
- ** only protected heights 325 mm ... 775 mm

Converter for the parametrization NSR 0700

Different lengths and resolutions can be combined for Master/Slave.

Mounting brackets are included in the delivery.

Ordering details

Connector:

Female connector M12, 8-pole straight

for emitter/receiver

cable length 5 m

KA-0904

cable length 10 m

KA-0905

cable length 20 m

KA-0908

for Master/Slave connection

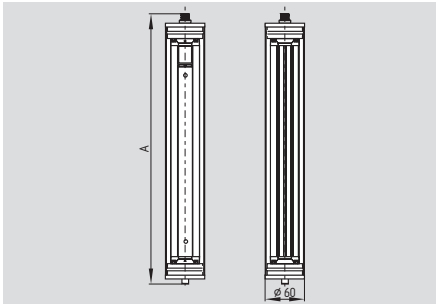
Female connector 2 x M12, 6-pole straight

cable length 0.3 m

KA-0907

Safety light curtains and safety light grids

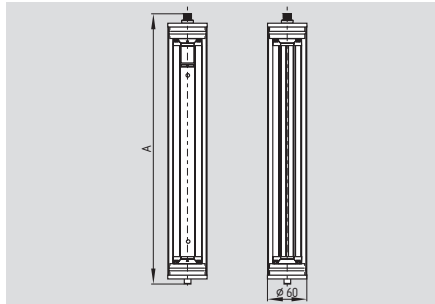
SLC 220 IP69K



- Safety light curtain
- Type 2 to IEC/EN 61496-1, -2
- Resolution 30 and 80 mm
- Protection field heights 175 mm ... 1675 mm
- Protection class IP69K
- Integrated start/restart interlock
- Integrated contactor control
- Integrated blanking function
- Diagnostic and parametrization interface
- Range 0.3 m ... 14 m
- Integrated self-test
- Fail-safe transistor outputs
- Status display
- Signaling output

Legend: A = Total length
A = 54 mm + Protection field height

SLG 220 IP69K



- Safety light grid
- 2-, 3- or 4-beam light grid
- Range 0.3 ... 30 m

Legend: A = Total length
A = 104 mm + Distance between outermost beams

Technical data

Standards: IEC/EN 61496-1/-2
 Category: Type 2
 Enclosure: aluminum protective tube housing PMMA
 Enclosure dimensions: Ø 60 mm
 Connection: Cable (5 m) with connector M12, 8-pole
 Max. cable length: 100 m / 1Ω
 Protection class: IP69K
 Response time: 9 ... 45 ms (depends on length and resolution)

Detection sensitivity (Resolution): 30 and 80 mm
 Protection field height:
 - Resolution 30 mm 175 ... 1675 mm
 - Resolution 80 mm 325 ... 1675 mm
 - 2-, 3-, 4-beam 500, 800, 900 mm
 Protection field width, Range:

0.3 ... 6 m (Standard),
 - SLC 4 ... 14 m (High range)
 - SLG 5 ... 30 m (High range)

Start/restart interlock: Integrated
 Contactor control: Integrated
 Blanking function: Integrated
 Light emission wavelength: 880 nm (infrared)
 U_e: 24 VDC ± 10%
 Safety outputs: 2 x PNP, 200 mA
 Signaling output: PNP, 100 mA
 Power consumption: Emitter 4 W, Receiver 8 W

Data interface: RS 485
 Status and diagnostics: LED display
 Ambient temperature: -10 °C ... +50 °C
 Storage and transport temperature: -20 °C ... +70 °C

Classification:

Standards: EN ISO 13849-1; IEC 61508; IEC 60947-5-3
 PL: up to d
 Category: up to 2
 PFH-value: 3.59 x 10⁻⁸/h
 SIL: up to 2
 Service life: 20 years

Approvals



Approvals



Ordering details

SLC 220-E/R^①-②-69-RFB-③

No.	Option	Description
①	xxxx	Protected heights (mm), available lengths: 0175*, 0250*, 0325, 0475, 0625, 0775, 0925, 1075, 1225, 1375, 1525, 1675
②	30	Resolution 30 mm
	80	Resolution 80 mm
③		Range 0.3 m ... 6 m
	H	High Range 4 m ... 14 m

* only for resolution 30 mm

Ordering details

SLG 220-E/R^①-69-RF-②

No.	Option	Description
①	Distance between outermost beams:	
	0500-02	500 mm, 2-beam
	0800-03	800 mm, 3-beam
	0900-04	900 mm, 4-beam
②		Range 0.3 m ... 6 m
	H	High Range 5 m ... 30 m

Ordering details

Connector:

Female connector M12, 8-pole straight
 cable length 5 m **KA-0904**
 cable length 10 m **KA-0905**
 cable length 20 m **KA-0908**

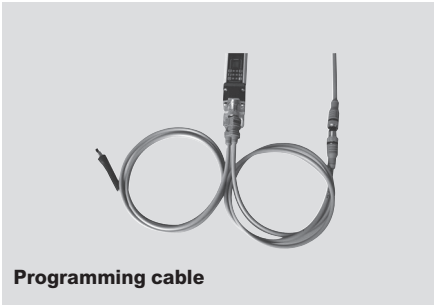
Mounting brackets (**V4A**) are included in the delivery.

Note:

Converter for the parametrization NSR 0700

Safety light curtains and safety light grids

System components



Programming cable

System components



Mounting kit MS-1100

System components



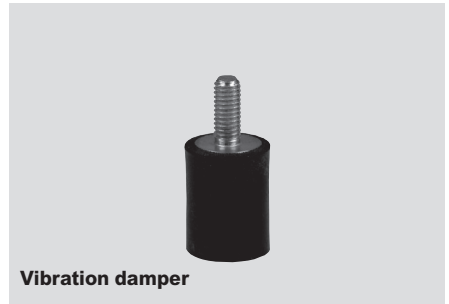
Mounting kit MS-1073



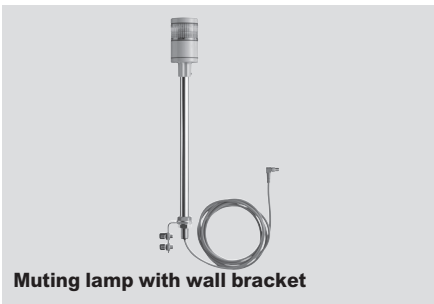
Alignment kit EA-5



Mounting kit MS-1031



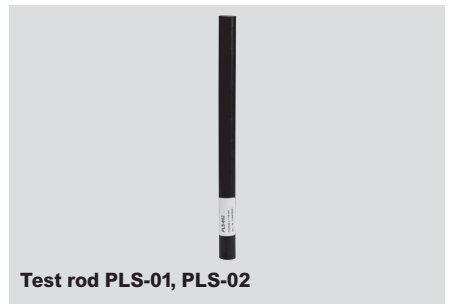
Vibration damper



Muting lamp with wall bracket



Mounting kit MS-1110



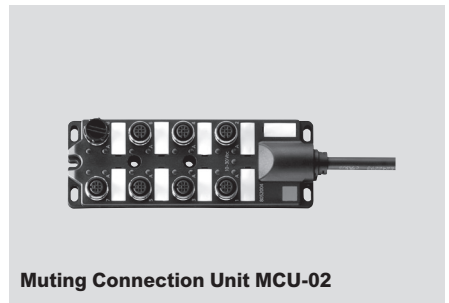
Test rod PLS-01, PLS-02



Mounting kit MS-1000 / MS 1072



Mounting kit MS-1051



Muting Connection Unit MCU-02

Ordering details

Programming cable

for SLC/SLG 440
for SLC/SLG 445

Laser alignment tool

for SLC / SLG

Muting lamp with wall bracket

for SLC/SLG 425I
for SLC/SLG 445

Mounting kit for SLC /SLG 220

4 x angle incl. screws
2 x angle incl. screws

KA-0974

KA-0976

EA5

MK2

MK6

MS-1000

MS-1072

Mounting kits

for SLC/SLG 440/445

4 angle end brackets with screws
2 U-shaped side brackets

for SLG 420

4 angle brackets, with screws

for SLC/SLG 420-425 (central fixation)

4 angle brackets with screws

for SLC/SLG 420-425 (lateral fixation)

2 angle brackets,
includes screws and T-slot nuts

MS-1100

MS-1100

MS-1030

MS-1038

MS-1051

Ordering details

Mounting kit for deflecting mirror

ULS-M: 2 brackets with screws

ULS-A4: 2 brackets with screws

Vibration damper (set of 8)

for SLC/SLG 220

for SLC/SLG 420-425, 440

for SLC/SLG 440 (incl. with delivery)

Test rod

for resolution 30 mm

for resolution 14 mm

Muting Connection Unit

to connect 4 muting sensors

MS-1073

MS-1031

MSD-2

MSD-4

MSD-5

PLS-01

PLS-02

MCU-02

Safety light curtains and safety light grids

System components



Bus converter NSR-0801



Bus converter NSR-0700



Deflecting mirror ULS-M

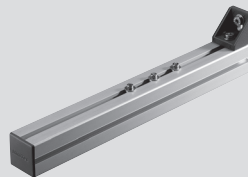
System components



Deflecting mirror ULS-A4, Ø 49 mm



Mounting stands MST



Muting Carrier Set

System components



Protective enclosure with deflecting mirror



Protective enclosure

Deflection Mirror Application Notes

ULS-M: Must be used when range is greater than 6m. With 1 mirror, range reduced by 10%, with 2 or more mirrors range reduced by 15% for each mirror.

ULS-A4: Must be used when range is less than 6m. With a loss of 20% at each mirror, only 1 mirror per emitter/receiver pair is recommended.

Ordering details

Bus converter

Converter for the parametrization of SLC/SLG 420-425

USB 2.0 interface

NSR 0801

Converter for the parametrization of SLC / SLG 220

RS232 interface

NSR 0700

Deflecting mirror ULS-M

Mirror height 200 mm

ULS-M-0200

Mirror height 350 mm

ULS-M-0350

Mirror height 500 mm

ULS-M-0500

Mirror height 650 mm

ULS-M-0650

Mirror height 800 mm

ULS-M-0800

Mirror height 950 mm

ULS-M-0950

Mirror height 1250 mm

ULS-M-1250

Mirror height 1550 mm

ULS-M-1550

Mirror height 1700 mm

ULS-M-1700

Ordering details

Deflecting mirror ULS-A4 incl. mounting angle

Mirror height 200 mm

ULS-A4-0200

Mirror height 400 mm

ULS-A4-0400

Mirror height 550 mm

ULS-A4-0550

Mirror height 700 mm

ULS-A4-0700

Mirror height 850 mm

ULS-A4-0850

Mirror height 1000 mm

ULS-A4-1000

Mounting stands

Height including base 500 mm

MST-0500

Height including base 750 mm

MST-0750

Height including base 1000 mm

MST-1000

Height including base 1250 mm

MST-1250

Height including base 1500 mm

MST-1500

Height including base 1750 mm

MST-1750

Height including base 2000 mm

MST-2000

Muting Carrier Set

2 x aluminum profile

MT-0400

Ordering details

Protective enclosure with deflecting mirror

Version for 2-beam light grid

ULS-ST2

Version for 3-beam light grid

ULS-ST3

Version for 4-beam light grid

ULS-ST4

Protective enclosure for light grids/curtains

Powder coated steel

Height 1334 mm

SG5

Height 2134 mm

SG6

Safety screen for protective enclosures (PMMA)

for SG5: height 1310 mm

SGS5

for SG6: height 2110 mm

SGS6

Deflecting mirror for protective enclosures

mirror height 1000 mm

ULS-SG-1000

includes mounting hardware

Muting sets (complete)

L version for MST stand

MUT-SET-L-01

L version fixes to curtain

MUT-SET-L-02

includes arms, MCU-02, 2 sensors, cables

T version for MST stand

MUT-SET-T-01

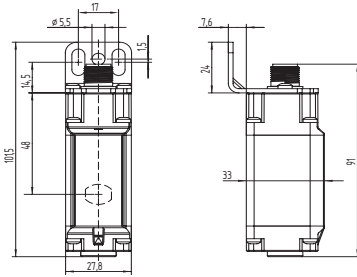
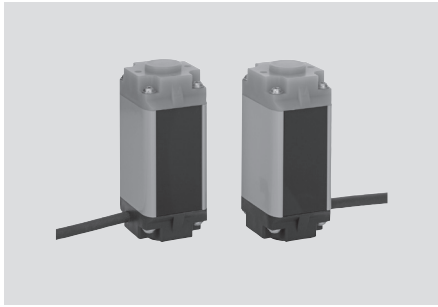
T version fixes to curtain

MUT-SET-T-02

includes arms, MCU-02, 4 sensors, cables

Safety light barriers

SLB 240



- Range 0.3 m to 15 m
- Compact housing
- Type 2 safe OSSD outputs
- Integrated connector or cable with connector
- Illuminated LED end cap status indicator
- Integrated start/restart interlock
- Visual alignment set-up tool
- 4 stage beam coding
- Protection class IP67

Technical data

Standards: EN 61496-1, EN 61496-2
EN ISO13849, EN 62061

Control Category: Type 2

Enclosure: aluminum

Enclosure dimensions: 27.8 x 33 x 72 mm

Connection:

- emitter: M12 connector, 4-pole
- receiver: M12 connector, 4-pole or 5-pole

Max. cable length: 50 m

Protection class: IP67

Response time: 7 ms ... 22 ms
depending on beam coding/samplings

Range: 0.3 m... 15 m

Function: Protective mode / Automatic,
Restart interlock (manual reset), Setting mode

Light emission wavelength: 880 nm

U_e: 24 VDC ± 10%, 1A

Safety outputs: 2 x short circuit proof PNP
semiconductor outputs

Angle of radiation: ± 5°

Min. size of object: 10 mm Ø

Ambient temperature: -30 °C ... +50 °C

Storage and transport temperature: -30 °C ... +70 °C

Classification:

Standards: EN ISO 13849-1; EN 62061

PL: up to c

Category: up to 2

PFH-value: 1.5 x 10⁻⁸ /h

SIL: up to 1

Service life: 20 years

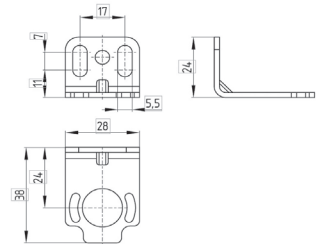
System components



Safety Controller



Connector plug



Mounting kit MS-1101

Approvals



Ordering details

SLB 240-ER-①-②

Nr.	Option	Description
①	1	Beam coding 1
	2	Beam coding 2
	3	Beam coding 3
	4	Beam coding 4
②	ST	M12 connector
	LST	200 mm cable with M12 connector

Note: beam coding 1 is standard (stocked) and can be changed in the field.

Ordering details

The system components (mounting brackets, cable, etc.) are not included in delivery.

Compatible Safety Controllers

SRB-E-201LC	SRB-E-201ST
SRB-E-301ST	SRB-E-212ST
SRB-E-322ST	SRB-E-204ST
SRB-E-204PE	SRB-E-402ST
SRB301MA	SRB301MC
SRB301ST	SRB324ST
SRB211ST	

Ordering details

Connector: Female connector M12

for emitter & receiver (automatic restart)

4-pole cable, length 5 m	KA-0804
4-pole cable, length 10 m	KA-0805
4-pole cable, length 20 m	KA-0808

for receiver (restart interlock)

5-pole cable, length 5 m	101209949
5-pole cable, length 15 m	101209948

Cable for the parametrization

cable length 1 m	KA-0977
------------------	---------

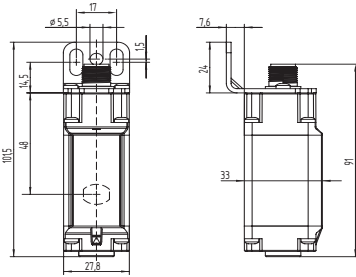
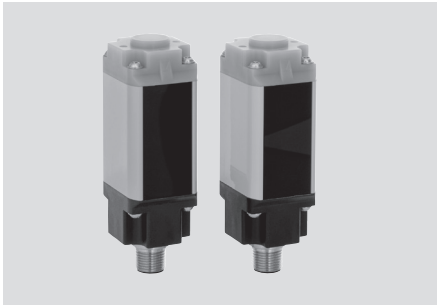
Mounting kit

includes 2 brackets, 4 fixing screws

MS-1101

Safety light barriers

SLB 440



- Range 0.3 m to 15 m (18 m for H version)
- Field configurable extended range up to 75m (H option)
- Compact rectangular housing profile
- Type 4 safe OSSD outputs
- Integrated connector or cable with connector
- Illuminated LED end cap status indicator
- Integrated start/restart interlock
- Visual alignment set-up tool
- 4 stage beam coding
- Protection class IP67
- Optional internal electric heater

Technical data

Standards: EN 61496-1, EN 61496-2
EN ISO13849, EN 62061

Category: Type 4

Enclosure: aluminum

Enclosure dimensions: 27.8 x 33 x 72 mm
(SLB440-H) 27.8 x 33 x 111 mm

Connection:

- emitter: M12 connector, 4-pole
- receiver: M12 connector, 4-pole or 5-pole

Max. cable length: 50 m

Protection class: IP67

Response time: 7 ms ... 22 ms
depending on beam coding/samplings

Range (without H): 0.3 m... 15.0 m

Range (with H): (factory setting) 0.3 m... 18.0 m
(Alternative range) 12.0 m... 75.0 m

Function: Protective mode / Automatic,
Restart interlock (manual reset), Setting mode

Light emission wavelength: 880 nm

U_e: 24 VDC ± 10%, 1A

U_e (SLB440-H) 24 VDC ± 10% controllable

4A PELV mains unit in accordance with EN60204

Safety outputs: 2 x short circuit proof PNP semiconductor outputs

Angle of radiation: ± 2.5°

Min. size of object: 9 mm Ø

Ambient temperature: -30 °C ... +50 °C

Storage and transport temperature: -30 °C ... +70 °C

Classification:

Standards: EN ISO 13849-1; EN 62061

PL: up to e

Category: up to 4

PFH-value: 1.5 x 10⁻⁸ /h

SIL: up to 3

Service life: 20 years

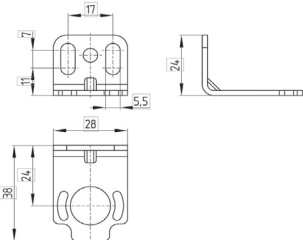
System components



Safety Controller



Connector plug



Mounting kit MS-1101

Approvals



Ordering details

SLB 440-ER-①-②-③-④

Nr.	Option	Description
①	1	Beam coding 1
	2	Beam coding 2
	3	Beam coding 3
	4	Beam coding 4
②	ST	M12 connector
	LST	200 mm cable with M12 connector
③		Standard range
	H	Alternative Range
④		without heater
	EH	with Electric Heater *

Ordering details

The system components (mounting brackets, cable, etc.) are not included in delivery.

Compatible Safety Controllers

SRB-E-201LC	SRB-E-201ST
SRB-E-301ST	SRB-E-212ST
SRB-E-322ST	SRB-E-204ST
SRB-E-204PE	SRB-E-402ST
SRB301MA	SRB301MC
SRB301ST	SRB324ST
SRB211ST	

Note: beam coding 1 is standard (stocked) and can be changed in the field.

* Electric heater (EH) only possible with SLB440-H version

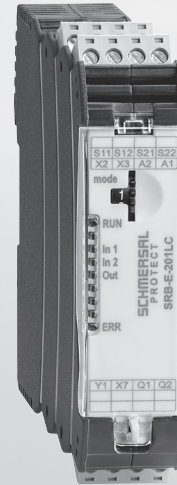
Ordering details

Connector: Female connector M12 for emitter & receiver (automatic restart)	
4-pole cable, length 5 m	KA-0804
4-pole cable, length 10 m	KA-0805
4-pole cable, length 20 m	KA-0808
for receiver (restart interlock)	
5-pole cable, length 5 m	101209949
5-pole cable, length 15 m	101209948
Cable for the parametrization	
cable length 1 m	KA-0977
Mounting kit	MS-1101
Mounting kit (SLB440-H) includes 2 brackets, 4 fixing screws	MS-1100

Note

Safety monitoring modules

Safety monitoring modules and control systems



Safety controllers are designed to increase the level of safety in machine guarding and/or E-stop control circuits. They feature redundant, dual channel, cross monitoring logic circuits. These continuously check for, and detect, faults in the system's safety circuit components and interconnection wiring.

Safety controllers are capable of detecting many types of potential safety circuit faults (depending on the model): Welded interlock/E-stop switch contacts; Open circuits, short circuits or ground faults; Faults in the modules safety relays; Faults in the modules monitoring circuits; Inadequate supply voltage; Welded or stuck contacts in the controlled output motor contactor or control relay; Capacitive or inductive interference on controller inputs.

Schmersal offers both conventional electro-mechanical relay based (AES) and unique microprocessor based (SRB) models.

For more information on Safety Controllers, please consult our online product catalog at www.usa.schmersal.net, under the Safe Signal Processing tab.

Safety Controller selection guides	5-2
PROTECT SRB-E Controllers	5-7
Programmable Safety Controllers	5-15

INPUT			OUTPUT			Model Code	
Input Contacts	No. of Independent Dual Channel Devices	Operating Voltage	Output Type	Safety Outputs Instant (Delayed)	Auxiliary Output Dry Contact (Semiconductor)		
2NC	1	24VDC	Instant	1 (0)	0 (2)	AES 1135	
				2 (0)	0 (0)	AES 1235	
		24VAC/DC	Instant	3 (0)	1 (0)	SRB 301 MC	
						SRB 301 MA	
						SRB 301 ST	
				SRB 301 LC(I)			
				SRB 301 LC/B			
				5 (0)	1 (3)	SRB 504 ST	
		Delayed	2 (1)	0 (1)	SRB 211 ST		
			3 (2)	1 (3)	SRB 324 ST		
	0 (3)		1 (0)	SRB 031 MC			
	1 (0)		0 (2)	AES 2135			
	24-230VAC/DC	Instant	3 (0)	0 (2)	AES 2335		
			48-230VAC	Instant	3 (0)	1 (0)	SRB 301 ST-230
6			24VAC/DC	Instant	2 (0)	0 (6)	SRB 206 SQ
					48-230VAC	Instant	2 (0)
					SRB 206 SQ-230		
1NO/1NC (Isolated) ¹	1	24VDC	Instant	1 (0)	0 (2)	AES 1135	
				2 (0)	0 (0)	AES 1235	
		24VAC/DC	Instant	3 (0)	0 (1)	AES 1337	
					1 (0)	SRB 301 AN	
		Delayed	2 (1)	0 (1)	SRB 211 AN		
			24-230VAC/DC	Instant	1 (0)	0 (2)	AES 2135
	3 (0)	0 (2)			AES 2335		
	2	24VDC	Instant	1 (0)	0 (0)	AES 1165	
				2 (0)	0 (2)	AES 1265	
	6	24VDC	Instant	2 (0)	1 (6)	SRB 207 AN-24VDC	
						AES 2285	
		48-230VAC	Instant	2 (0)	1 (6)	SRB 207 AN-230	
	Selectable	1	24VAC/DC	Instant	3(0)	1 (0)	SRB-E-301ST
					24VDC	Instant	2 (0)
SRB-E-201LC							
2 (1)			0 (2)	SRB-E-212ST			
Delayed			3 (2)	1 (1)	SRB-E-322ST		
		4	24VDC	Instant	2 (0)	0 (4)	SRB-E-204ST

¹ Isolated Contacts: Galvanically separated contacts

For complete technical information, please visit www.usa.schmersal.net

Model Code	Control Category (Performance Level)	INPUT DEVICE TYPE								Cross Short Monitoring
		E-Stop	Safety Switch ³	Reed Switch Compatible	AOPD ⁴	Pulse Echo/RFID	Method of Reset ⁵			
							Automatic	Manual	Monitored Manual	
AES 1135	3 (d)	√	√	√	—	√	√			—
AES 1235	3 (d)	√	√	√	—	√	√	√		—
SRB 301 MC	3 (d)	√	√	√	√	√	√	√		Selectable
SRB 301 MA	4 (e)	√	√	√	√	√			√	Selectable
SRB 301 ST	4 (e)	√	√	√	√	√	√		√	Selectable
SRB 301 LC(I)	4 (e)	√	√	—	—	—	√	√		—
SRB 301 LC/B	3 (d)/4 (e) ²	√	√	√	√	√	√	√		—
SRB 504 ST	4 (e)	√	√	√	√	—	√		√	Selectable
SRB 211 ST	4 (e)	√	√	√	√	√	√		√	Selectable
SRB 324 ST	4 (e)	√	√	√	√	√	√		√	Selectable
SRB 031 MC	3 (d)	√	√	√	√	√	√	√		Selectable
AES 2135	3 (d)	√	√	√	—	—	√			—
AES 2335	3 (d)	√	√	√	—	—	√	√		—
SRB 301 ST-230	4 (e)	√	√	—	—	—	√		√	—
SRB 206 SQ	3 (d)	√	√	—	—	—	√		√	√
SRB 206 ST-230	3 (d)	√	√	—	—	—	√		√	—
SRB 206 SQ-230	3 (d)	√	√	—	—	—	√		√	—
AES 1135	3 (d)	√	√	√	—	—	√			—
AES 1235	3 (d)	√	√	√	—	—	√			—
AES 1337	4 (e)	√	√	√	—	—	√			—
SRB 301 AN	4 (e)	√	√	√	—	—	√			—
SRB 211 AN	4 (e)	√	√	√	—	—	√			Selectable
AES 2135	3 (d)	√	√	√	—	—	√			—
AES 2335	3 (d)	√	√	√	—	—	√	√		—
AES 1165	3 (d)	√	√	√	—	—	√			—
AES 1265	3 (d)	√	√	√	—	—	√	√		√
SRB 207 AN-24VDC	3 (d)	√	√	√	—	—	√		√	√
AES 2285	3 (d)	√	√	√	—	—	√		√	√
SRB 207 AN-230	3 (d)	√	√	√	—	—	√		√	√
SRB-E-301ST	4 (e)	√	√	√	√	√	√	√	√	Selectable
SRB-E-201ST	4 (e)	√	√	√	√	√	√	√	√	Selectable
SRB-E-201LC	4 (e)	√	√	√	√	√	√	√	√	Selectable
SRB-E-212ST	4 (e)	√	√	√	√	√	√	√	√	Selectable
SRB-E-322ST	4 (e)	√	√	√	√	√	√	√	√	Selectable
SRB-E-204ST	4 (e)	√	√	√	√	√	√	√	√	Selectable

² SRB 301LC/B: Performance Level e (Control Category 4) when used with a PLe input device which features self-monitoring

³ Safety Switch: Devices having dry contacts, e.g., keyed interlock switches with and without guardlocking, limit switches, cable pulls, hinge switches, foot switches, etc.

⁴ AOPD: Active Optical Protective Device, e.g. safety light curtain

⁵ Automatic: Safety outputs enabled as soon as safety inputs are satisfied (no reset signal required)

*Manual: Safety outputs enabled when safety inputs are satisfied and reset signal supplied (0v to 24v transition)

*Monitored Manual: Safety outputs enabled when safety inputs are satisfied and reset signal supplied (24v to 0v transition)

Safe Speed Monitoring

Monitored Speeds	Monitored Method	Operating Voltage	Model Code	Control Category (Performance Level)	Safety Outputs
Standstill	Timer	24VDC	AZS 2305-24VDC	4 (d)	3
		110VAC	AZS 2305-110VAC	4 (d)	3
		230VAC	AZS 2305-230VAC	4 (d)	3
	1 PNP Impulse Sensor	24VDC	FWS 1206	3 (d)	2
		24-230VAC/DC	FWS 2106	3 (d)	1
			FWS 2506	3 (d)	4
	2 PNP Impulse Sensors	24VDC	FWS 1205	3 (d)	2
			DNDS	4 (d)	Selectable
		24-230VAC/DC	FWS 2105	3 (d)	1
	FWS 2505		3 (d)	4	
690VAC Back EMF	24VDC	DN3PS2	4 (e)	2	
Safe Speeds	Encoders/Resolver 2 PNP Impulse Sensors	24VDC	DNDS	4 (e)	Selectable

Mats/2-Hand Controls

Operating Voltage	Type of Reset	Model	E-Stop	Safety Switch ¹	Safety Mat ²	Two-Hand Control
24VAC/DC	Monitored Reset	SRB 301HC/R-24	√	√	√	√
	Auto Reset	SRB 301HC/T-24	√	√	√	—
		SRB 201 ZH	—	—	—	√
48-230VAC	Monitored Reset	SRB 301HC/R-230	√	√	√	√
	Auto Reset	SRB 301HC/T-230	√	√	√	—
24VDC	Auto or Monitored	SRB-E-201ST	√	√	—	√

¹ Devices having dry contacts, e.g., keyed interlock switches with and without guard locking, limit switches, cable pulls, hinge switches, foot switches, etc.

² Safety mats operating with an electrical cross-short principle to detect actuation.

Safety Edge Monitors

Operating Voltage	Maximum Number of Edges Monitored	Model	Control Category (Performance Level)	Method of Reset
24VDC	1	SE-400C	4 (e)	Trailing Edge
	2	SE-100C	1 (c)	—
24VAC/DC	4	SE-304C	3 (d)	Trailing Edge

For complete technical information, please visit www.usa.schmersal.net

Input Expansion Modules

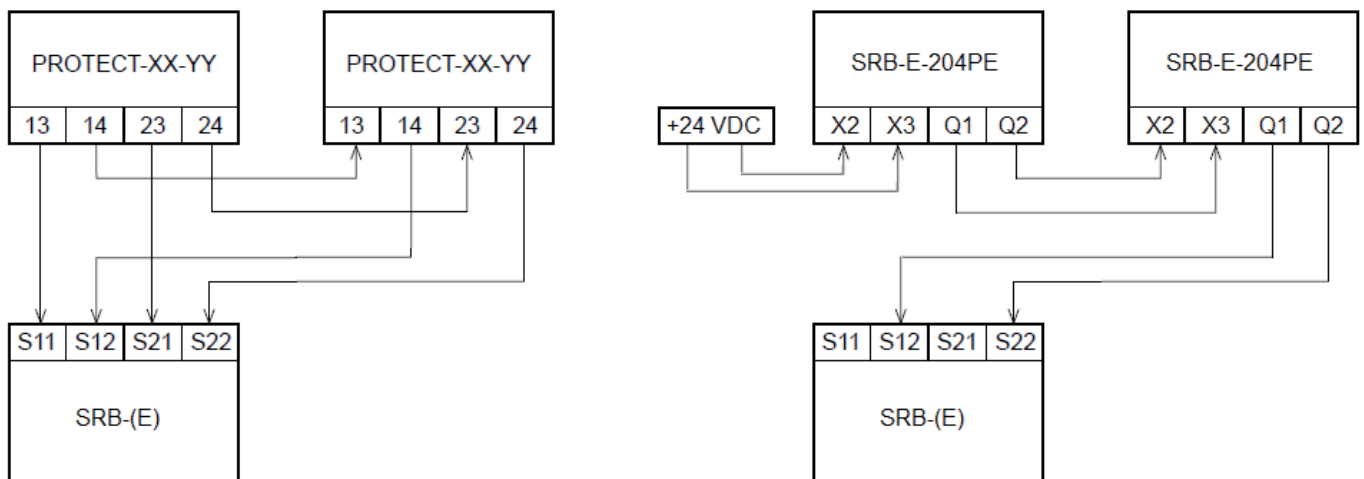
A majority of standard safety controllers used in the industry today will monitor 1 discrete device with 2 channels. Depending on the safety level to be obtained, wiring multiple switches in series to one safety controller can be a solution to scenarios such as an expanding application. This form of “daisy-chaining” however will not allow for individual diagnostics for low level safety device (i.e., limit switches) and can increase installation time and costs. Input expanders allow multiple devices to be wired to one safety controller while still having the ability of individual diagnostics. Multiple PROTECT input expanders can be used to wire a maximum of 80 dual channel devices.

Input Expander	No. of 2 Channel Devices Monitored	Type of Monitored Input	Output Configuration	Input Configuration	Terminal Connection	Model Code	E-Stop Monitoring	Safety Switch ¹	Coded Magnetic Sensor	AOPD ²	Pulse Echo Compatible	Module Indicator ³ (PNP Out)	
	4	4	Dry Contacts	2NC	1NO/1NC	Cage Clamps	PROTECT-IE-11	√	√	√	—	—	—
Cage Clamps						PROTECT-PE-11	√	√	√	—	—	√	
Screw Terminals						PROTECT-IE-11-SK	√	√	√	—	—	—	
Screw Terminals						PROTECT-PE-11-SK	√	√	√	—	—	√	
2NC					Cage Clamps	PROTECT-IE-02	√	√	√	—	—	—	
					Cage Clamps	PROTECT-IE-02-SK	√	√	√	—	—	—	
					Screw Terminals	PROTECT-PE-11-AN	√	√	√	—	—	√	
					Screw Terminals	PROTECT-PE-11-AN-SK	√	√	√	—	—	√	
Dry/Non-Floating			2NC	2NC PNP	2NC	Cage Clamps	PROTECT-PE-02	√	√	√	√	√	√
						Cage Clamps	PROTECT-PE-02-SK	√	√	√	√	√	√
						Screw Terminals	PROTECT-PE-02-SK	√	√	√	√	√	√
						Screw Terminals	PROTECT-PE-02-SK	√	√	√	√	√	√
Dry/Non-Floating	2 PNP	Selectable	2NC	Screw Terminals	SRB-E-204PE	√	√	√	√	√	—		
				Screw Terminals	SRB-E-204PE	√	√	√	√	√	—		

¹ Devices having dry contacts, e.g., keyed interlock switches with and without guard locking, limit switches, cable pulls, hinge switches, foot switches, etc.

² AOPD: Active Optical Protective Device, e.g. safety light curtain

³ Module Indication: +24VDC PNP auxiliary signal indicating that all inputs are satisfied on the expansion unit.



For complete technical information, please visit www.usa.schmersal.net

Output Expansion Modules

Output expanders allow a safety controller to increase the number of safe signals that can be delivered. Each SRB-EM module will provide an additional 4 dry contact safety outputs, 2 dry contact auxiliary contacts and a connection to the main monitoring safety controller to complete an external feedback monitoring loop for the safety function.

Output Expanders	Additional Safety Outputs	Additional Auxiliary Outputs	Terminal Connection	Operating Voltage	Model
	4	2	Screw Terminals	24VAC/DC	SRB 402 EM

Dual Zone Monitoring

The SRB 202C and SRB 400C safety controllers allow for dual zone monitoring without adding the complexity of using a safety PLC. No software or programming tool is required for zone setup. Input 1 is reserved for a global shutdown (the release of all safety outputs) such as an E-Stop actuation. Input 2 is reserved for dropping out only half of the safety outputs of the relay. With the SRB-E-402ST the inputs can have different safety function configurations. These functions are set using the rotary mode switch 1 and 2.

Safety Outputs	Auxiliary Outputs	Input 1 Contacts	Input 2 Contacts	Input 1 Reset	Input 1 Cross Short Monitoring ¹	Model Code	Control Category (Performance Level)	E-Stop Monitoring	Safety Switch ²	Coded Magnetic Sensor	AOPD ³	Pulse Echo Compatible
2	2	2NC	1NO/1NC	Auto or Manual	No	SRB202CA	4 (e)	√	√	√	—	—
					Yes	SRB202CA/Q	4 (e)	√	√	√	—	—
				Trailing Edge	No	SRB202CA/T	4 (e)	√	√	√	—	—
					Yes	SRB202CA/QT	4 (e)	√	√	√	—	—
			2NC	Auto or Manual	No	SRB202CS	4 (e)	√	√	√	—	—
						Trailing Edge	SRB202CS/T	4 (e)	√	√	√	—
4	0	2NC	1NO/1NC	Auto or Manual	No	SRB400CA	4 (e)	√	√	√	—	—
					Yes	SRB400CA/Q	4 (e)	√	√	√	—	—
				Trailing Edge	No	SRB400CA/T	4 (e)	√	√	√	—	—
					Yes	SRB400CA/QT	4 (e)	√	√	√	—	—
			2NC	Auto or Manual	No	SRB400CS	4 (e)	√	√	√	—	—
						Trailing Edge	SRB400CS/T	4 (e)	√	√	√	—
4	2	Selectable	Selectable/Two-Hand Controls	Auto or Trailing Edge	Yes	SRB-E-402ST	4 (e)	√	√	√	√	√

¹ Cross short monitoring and trailing edge not available for Input device 2.

² Devices having dry contacts, e.g., keyed interlock switches with and without guard locking, limit switches, cable pulls, hinge switches, foot switches, etc.

³ AOPD: Active Optical Protective Device, e.g. safety light curtain

For complete technical information, please visit www.usa.schmersal.net

Safety monitoring modules

SRB-E-201LC



- Electronic safety controller
- 2 instant semi-conductor safety outputs
- 1 signaling semi-conductor output
- 10 configuration settings adjusting reset, cross-wire detection, input/output configuration
- LED status indication
- Coded plug-in terminal blocks
- Safe monitoring of E-STOP, safety guards, magnetic safety sensors, pull-wire emergency stops, electronic devices with OSSD

Technical data

Standards:	IEC/EN 60204-1, EN 60947-5-1; EN ISO 13849-1, IEC/EN 62061, IEC 61508
EMC rating:	to EMC Directive
Air clearances and creepage distances:	to IEC/EN 60664-1
Mounting:	standard DIN rail to EN 60715
Terminal designations:	EN 60947-1
Electrical characteristics:	
Rated operating voltage U_e :	24 VDC $\pm 20\%$, residual ripple max. 10%
Fuse rating for the operating voltage:	we recommend a circuit breaker type Z (max. 16 A) or a fine fuse (max. 15 A, delayed action)
UL Rating of external fuse:	max. 16 A, only use fuses in accordance with UL 248 series
Pull-in delay:	< 150 ms
Drop-out delay in case of "emergency stop":	< 10 ms
Drop-out delay on "supply failure":	< 10 ms
Bridging in case of voltage drops:	typ. 5 ms
Readiness after switching on voltage [s]:	< 1.5 sec.
Control current circuits/inputs:	
Inputs S12, S22:	24 VDC/8 mA
Inputs X2, X3, X7:	24 VDC/8 mA
Clock outputs S11, S21:	> 20 VDC, 10 mA per output
Cable length:	1500 m with 1.5 mm ² ; 2500 m with 2.5 mm ²
Conduction resistance:	max. 40 Ω
Semi-conductor outputs:	
Switching capacity of the safety outputs Q:	max. 2 A
Voltage drop:	< 0.5 V
Leakage current:	< 1 mA
Max. fuse rating of the safety outputs:	refer to "Operating voltage"
Test impulse to Q1, Q2:	< 1 ms (negative); < 100 μ s (positive)
Utilization category as per EN 60947-5-1:	DC-13: 24 V / 2 A
Switching capacity of signaling outputs:	semi-conductor output Y1: 24 VDC/100 mA
Fuse rating of the signaling outputs:	internal electronic trip, tripping current > 100 mA
Max. switching cycles / minute:	60
Inductive consumers:	provision is to be made for suitable protective wiring for suppression
Ambient conditions:	
Operating ambient temperature:	-25°C ... +60°C (non-condensing)
Storage and transport temperature:	-40°C ... +85°C (non-condensing)
Protection class:	enclosure: IP40, terminals: IP20, terminal clearance IP54
Mounting:	snaps onto standard DIN rails to DIN EN 60715
Resistance to shock:	30 g / 11 ms
Resistance to vibrations to EN 60068-2-6:	10 ... 55 Hz, amplitude 0.35 mm
Altitude:	max. 2,000 m
Dimensions (height/width/depth):	98 x 22.5 x 115 mm

Configuration Settings

Rotary knob position	Reset button (detection of the trailing edge)	Cross-wire monitoring active	Input / Sensor configuration	Monitoring of sensor channels for synchronisation (< 5 sec.)
1	Yes	Yes	NC / NC	Yes
2	Yes	Yes	NC / NC	No
3	Yes	No	NC / NC	Yes
4	Yes	No	NC / NC	No
5	Yes	Yes	NC / NO	Yes
6	Autostart	Yes	NC / NO	No
7	Autostart	Yes	NC / NC	Yes
8	Autostart	Yes	NC / NC	No
9	Autostart	No	NC / NC	Yes
10	Autostart	No	NC / NC	No
C			Configuration mode	

Safety monitoring modules

SRB-E-201ST



- Electronic safety controller
- **Configuration setting for two-hand controls**
- 2 instant semi-conductor safety outputs
- 1 signaling semi-conductor output
- 11 configuration settings adjusting reset, cross-wire detection, input/output configuration
- LED status indication
- Coded plug-in terminal blocks
- Safe monitoring of E-STOP, safety guards, magnetic safety sensors, pull-wire emergency stops, electronic devices with OSSD

Technical data

Standards:	IEC/EN 60204-1, EN 60947-5-1; EN ISO 13849-1, IEC/EN 62061, IEC 61508
EMC rating:	to EMC Directive
Air clearances and creepage distances:	to IEC/EN 60664-1
Mounting:	standard DIN rail to EN 60715
Terminal designations:	EN 60947-1
Electrical characteristics:	
Rated operating voltage U_o :	24 VDC \pm 20%, residual ripple max. 10%
Fuse rating for the operating voltage:	we recommend a circuit breaker type Z (max. 16 A) or a fine fuse (max. 15 A, delayed action)
UL Rating of external fuse:	max. 16 A, only use fuses in accordance with UL 248 series
Pull-in delay:	< 150 ms
Drop-out delay in case of "emergency stop":	< 10 ms
Drop-out delay on "supply failure":	< 10 ms
Bridging in case of voltage drops:	typ. 5 ms
Readiness after switching on voltage [s]:	< 1.5 sec.
Control current circuits/inputs:	
Inputs S12, S22:	24 VDC/8 mA
Inputs X2, X3, X7:	24 VDC/8 mA
Clock outputs S11, S21:	> 20 VDC, 10 mA per output
Cable length:	1500 m with 1.5 mm ² ; 2500 m with 2.5 mm ²
Conduction resistance:	max. 40 Ω
Semi-conductor outputs:	
Switching capacity of the safety outputs Q:	max. 5.5 A
Voltage drop:	< 0.5 V
Leakage current:	< 1 mA
Max. fuse rating of the safety outputs:	refer to "Operating voltage"
Test impulse to Q1, Q2:	< 1 ms (negative); < 100 μ s (positive)
Utilization category as per EN 60947-5-1:	DC-13: 24 V / 3.5 A
Switching capacity of signaling outputs:	semi-conductor output Y1: 24 VDC/100 mA
Fuse rating of the signaling outputs:	internal electronic trip, tripping current > 100 mA
Max. switching cycles / minute:	60
Inductive consumers:	provision is to be made for suitable protective wiring for suppression
Ambient conditions:	
Operating ambient temperature:	-25°C ... +60°C (non-condensing)
Storage and transport temperature:	-40°C ... +85°C (non-condensing)
Protection class:	enclosure: IP40, terminals: IP20, terminal clearance IP54
Mounting:	snaps onto standard DIN rails to DIN EN 60715
Resistance to shock:	30 g / 11 ms
Resistance to vibrations to EN 60068-2-6:	10 ... 55 Hz, amplitude 0.35 mm
Altitude:	max. 2,000 m
Dimensions (height/width/depth):	98 x 22.5 x 115 mm

Configuration Settings

Rotary knob position	Reset button (detection of the trailing edge)	Cross-wire monitoring active	Input / Sensor configuration	Monitoring of sensor channels for synchronisation (< 5 sec.)
1	Yes	Yes	NC / NC	Yes
2	Yes	Yes	NC / NC	No
3	Yes	No	NC / NC	Yes
4	Yes	No	NC / NC	No
5	Yes	Yes	NC / NO	Yes
6	Autostart	Yes	NC / NO	No
7	Autostart	Yes	NC / NC	Yes
8	Autostart	Yes	NC / NC	No
9	Autostart	No	NC / NC	Yes
10	Autostart	No	NC / NC	No
11	Function two-hand control type IIIC		NC, NO / NC, NO	< 0.5 sec. (upon actuation of setting elements)
C	Configuration mode			

Safety monitoring modules

SRB-E-204ST



- Electronic safety controller
- **Monitoring of up to 4 individual devices**
- 2 instant semi-conductor safety outputs
- 4 signaling semi-conductor outputs
- 14 configuration settings adjusting reset, cross-wire detection, input/output configuration
- LED status indication
- Coded plug-in terminal blocks
- Safe monitoring of E-STOP, safety guards, magnetic safety sensors, pull-wire emergency stops, electronic devices with OSSD

Technical data

Standards:	IEC/EN 60204-1, EN 60947-5-1; EN ISO 13849-1, IEC/EN 62061, IEC 61508
EMC rating:	to EMC Directive
Air clearances and creepage distances:	to IEC/EN 60664-1
Mounting:	standard DIN rail to EN 60715
Terminal designations:	EN 60947-1

Electrical characteristics:

Rated operating voltage U_e :	24 VDC \pm 20%, residual ripple max. 10%
Fuse rating for the operating voltage:	we recommend a circuit breaker type Z (max. 16 A) or a fine fuse (max. 15 A, delayed action)

UL Rating of external fuse:	max. 16 A, only use fuses in accordance with UL 248 series
Pull-in delay:	< 150 ms
Drop-out delay in case of "emergency stop":	< 10 ms
Drop-out delay on "supply failure":	< 10 ms
Bridging in case of voltage drops:	typ. 5 ms
Readiness after switching on voltage [s]:	< 1.5 sec.

Control current circuits/inputs:

Inputs S12, S22:	24 VDC/8 mA
Inputs X2, X3, X7:	24 VDC/8 mA
Clock outputs S11, S21:	> 20 VDC, 10 mA per output
Cable length:	1500 m with 1.5 mm ² ; 2500 m with 2.5 mm ²
Conduction resistance:	max. 40 Ω

Semiconductor outputs:

Switching capacity of the safety outputs Q:	max. 2 A
Voltage drop:	< 0.5 V
Leakage current:	< 1 mA
Utilization category as per EN 60947-5-1:	DC-13: 24 V / 2 A
Switching capacity of signaling outputs:	semi-conductor output Y1-Y4: 24 VDC/100 mA
Fuse rating of the signaling outputs:	internal electronic trip, tripping current > 100 mA
Max. switching cycles / minute:	60

Inductive consumers: provision is to be made for suitable protective wiring for suppression

Ambient conditions:

Operating ambient temperature:	-25°C ... +60°C (non-condensing)
Storage and transport temperature:	-40°C ... +85°C (non-condensing)
Protection class:	enclosure: IP40, terminals: IP20, terminal clearance IP54
Mounting:	snaps onto standard DIN rails to DIN EN 60715
Resistance to shock:	30 g / 11 ms
Resistance to vibrations to EN 60068-2-6:	10 ... 55 Hz, amplitude 0.35 mm
Altitude:	max. 2,000 m
Dimensions (height/width/depth):	98 x 22.5 x 115 mm

Configuration Settings

Rotary knob position	Reset button (detection of the trailing edge)	Cross-wire monitoring active	Sensor	Input / Sensor configuration	Monitoring of sensor channels for synchronisation (< 5 sec.)
1	Yes	Yes	1 – 4	NC / NC	Yes
2	Yes	Yes	1 – 4	NC / NC	No
3	Yes	No	1 – 4	NC / NC	Yes
4	Yes	No	1 – 4	NC / NC	No
5	Yes	Yes	1 – 4	NC / NO	Yes
6	Autostart	Yes	1 – 4	NC / NO	No
7	Autostart	Yes	1 – 4	NC / NC	Yes
8	Autostart	Yes	1 – 4	NC / NC	No
9	Autostart	No	1 – 4	NC / NC	Yes
10	Autostart	No	1 – 4	NC / NC	No
11	Yes	Yes No	1 – 2 3 – 4	NC / NC	No
12	Autostart	Yes No	1 – 2 3 – 4	NC / NC	No
13	Yes	Yes No	1 – 3 4	NC / NC	No
14	Autostart	Yes No	1 – 3 4	NC / NC	No

C

Configuration mode

Safety monitoring modules

SRB-E-301ST



- Electronic safety controller
- 3 instant relay safety outputs
- 1 signaling relay output
- 10 configuration settings adjusting reset, cross-wire detection, input/output configuration.
- LED status indication
- Plug-in terminals
- Coded plug-in terminal blocks

Technical data

Standards:	IEC/EN 60204-1, EN 60947-5-1; EN ISO 13849-1, IEC/EN 62061, IEC 61508
EMC rating:	to EMC Directive
Air clearances and creepage distances:	to IEC/EN 60664-1
Mounting:	standard DIN rail to EN 60715
Terminal designations:	EN 60947-1
Electrical characteristics:	
Rated operating voltage U_e :	24 VDC / 24 VAC $-20\%/+20\%$
Frequency range:	50 Hz/60 Hz
Fuse rating for the operating voltage:	we recommend a circuit breaker type Z (max. 16 A) or a fine fuse (max. 15 A, delayed action)
UL Rating of external fuse:	max. 16 A, only use fuses in accordance with UL 248 series
Pull-in delay:	< 150 ms
Drop-out delay in case of "emergency stop":	< 10 ms
Drop-out delay on "supply failure":	< 10 ms
Bridging in case of voltage drops:	typ. 5 ms
Readiness after switching on voltage [s]:	< 1.5 sec.
Control current circuits/inputs:	
Inputs S12, S22:	24 VDC/8 mA
Inputs X2, X3, X7:	24 VDC/8 mA
Clock outputs S11, S21:	> 20 VDC, 10 mA per output
Cable length:	1500 m with 1.5 mm ² ; 2500 m with 2.5 mm ²
Conduction resistance:	max. 40 Ω
Relay outputs:	
Switching capacity of the safety contacts:	contacts 13-14, 23-24, 33-34: min: 10 VDC / 10 mA, max: 250 V, 6 A ohms,
Fuse rating of the safety contacts:	external (Ik = 1000 A) to EN 60947-5-1 Safety fuse 10 A quick blow, 6 A slow blow
Utilisation category to EN 60947-5-1:	AC-15: 230 V / 4 A DC-13: 24 V / 4 A
Switching capacity of the auxiliary contacts:	41-42: 24 VDC / 1 A
Fuse rating for the auxiliary contact:	safety fuse 2.5 A quick blow, 2 A slow blow
Mechanical life:	10 million operations
Safety contact values:	resistance max. 100 m Ω , AgNi, self-cleaning, positive action
Max. switching cycles / minute:	20
Ambient conditions:	
Operating ambient temperature:	-25°C ... +60°C (non-condensing)
Storage and transport temperature:	-40°C ... +85°C (non-condensing)
Protection class:	enclosure: IP40, terminals: IP20, terminal clearance IP54
Mounting:	snaps onto standard DIN rails to DIN EN 60715
Resistance to shock:	30 g / 11 ms
Resistance to vibrations to EN 60068-2-6:	10 ... 55 Hz, amplitude 0.35 mm
Altitude:	max. 2,000 m
Dimensions (height/width/depth):	98 x 22.5 x 115 mm

Configuration Settings

Rotary knob position	Reset button (detection of the trailing edge)	Cross-wire monitoring active	Input / Sensor configuration	Monitoring of sensor channels for synchronisation (< 5 sec.)
1	Yes	Yes	NC / NC	Yes
2	Yes	Yes	NC / NC	No
3	Yes	No	NC / NC	Yes
4	Yes	No	NC / NC	No
5	Yes	Yes	NC / NO	Yes
6	Autostart	Yes	NC / NO	No
7	Autostart	Yes	NC / NC	Yes
8	Autostart	Yes	NC / NC	No
9	Autostart	No	NC / NC	Yes
10	Autostart	No	NC / NC	No
C	Configuration mode			

Safety monitoring modules

SRB-E-212ST



- Electronic safety controller
- **Time delayed safety outputs**
- 2 instant relay safety outputs
- 1 delayed semi-conductor safety output
- 2 signaling semi-conductor outputs
- 10 configuration settings adjusting reset, cross-wire detection, input/output configuration
- LED status indication
- Coded plug-in terminal blocks
- Safe monitoring of E-STOP, safety guards, magnetic safety sensors, pull-wire emergency stops, electronic devices with OSSD

Drop-out delay settings (seconds)

0	5.0
0.1	8.5
0.5	10.0
1.0	12.0
2.0	15.0
2.5	20.0
3.0	25.0
4.0	30.0

Technical data

Standards:	IEC/EN 60204-1, EN 60947-5-1; EN ISO 13849-1, IEC/EN 62061, IEC 61508
EMC rating:	to EMC Directive
Air clearances and creepage distances:	to IEC/EN 60664-1
Mounting:	standard DIN rail to EN 60715
Terminal designations:	EN 60947-1
Electrical characteristics:	
Rated operating voltage U_g :	24 VDC \pm 20%, residual ripple max. 10%
Fuse rating for the operating voltage:	we recommend a circuit breaker type Z (max. 16 A) or a fine fuse (max. 15 A, delayed action)
UL Rating of external fuse:	max. 16 A, only use fuses in accordance with UL 248 series
Pull-in delay:	< 150 ms
Drop-out delay in case of "emergency stop":	< 10 ms
Drop-out delay on "supply failure":	< 10 ms
Bridging in case of voltage drops:	typ. 5 ms
Readiness after switching on voltage [s]:	< 1.5 sec.
Control current circuits/inputs:	
Inputs S12, S22:	24 VDC/8 mA
Inputs X2, X3, X7:	24 VDC/8 mA
Clock outputs S11, S21:	> 20 VDC, 10 mA per output
Cable length:	1500 m with 1.5 mm ² ; 2500 m with 2.5 mm ²
Conduction resistance:	max. 40 Ω
Relay outputs:	
Switching capacity of the safety contacts:	contacts 13-14, 23-24: min: 10 VDC / 10 mA, max: 250 V, 6 A ohms, external (Ik = 1000 A) to EN 60947-5-1
Fuse rating of the safety contacts:	Safety fuse 10 A quick blow, 6 A slow blow
Utilization category to EN 60947-5-1:	AC-15: 230 V / 4 A, DC-13: 24 V / 4 A
Fuse rating for the auxiliary contact:	safety fuse 2.5 A quick blow, 2 A slow blow
Mechanical life:	10 million operations
Safety contact values:	resistance max. 100 m Ω , AgNi, self-cleaning, positive action
Max. switching cycles / minute:	20
Semi-conductor outputs:	
Switching capacity of the safety outputs:	Qt1: max. 2 A
Voltage drop:	< 0.5 V
Leakage current:	< 1 mA
Max. fuse rating of the safety outputs:	refer to "Operating voltage"
Test impulse of the safety outputs:	< 1 ms (negative), < 100 μ s (positive)
Utilization category to EN 60947-5-1:	DC-13: 24 V / 2 A
Switching capacity of signaling outputs:	semi-conductor outputs Y1, Y2: 24 VDC/100 mA
Fuse rating of the signaling outputs:	internal electronic trip, tripping current > 100 mA
Mechanical life:	10 million operations
Max. switching cycles / minute:	20
Inductive consumers:	provision is to be made for suitable protective wiring for suppression

Configuration Settings

Rotary knob position	Reset button (detection of the trailing edge)	Cross-wire monitoring active	Input / Sensor configuration	Monitoring of sensor channels for synchronisation (< 5 sec.)
1	Yes	Yes	NC / NC	Yes
2	Yes	Yes	NC / NC	No
3	Yes	No	NC / NC	Yes
4	Yes	No	NC / NC	No
5	Yes	Yes	NC / NO	Yes
6	Autostart	Yes	NC / NO	No
7	Autostart	Yes	NC / NC	Yes
8	Autostart	Yes	NC / NC	No
9	Autostart	No	NC / NC	Yes
10	Autostart	No	NC / NC	No
C			Configuration mode	

Safety monitoring modules

SRB-E-322ST



- Electronic safety controller
- **Time delayed safety outputs**
- 3 instant relay safety outputs
- 2 delayed semi-conductor safety outputs
- 1 signaling relay output
- 1 signaling semi-conductor output
- 10 configuration settings adjusting reset, cross-wire detection, input/output configuration
- LED status indication
- Coded plug-in terminal blocks
- Safe monitoring of E-STOP, safety guards, magnetic safety sensors, pull-wire emergency stops, electronic devices with OSSD

Drop-out delay settings (seconds)	
0	5.0
0.1	8.5
0.5	10.0
1.0	12.0
2.0	15.0
2.5	20.0
3.0	25.0
4.0	30.0

Technical data

Standards:	IEC/EN 60204-1, EN 60947-5-1; EN ISO 13849-1, IEC/EN 62061, IEC 61508
EMC rating:	to EMC Directive
Air clearances and creepage distances:	to IEC/EN 60664-1
Mounting:	standard DIN rail to EN 60715
Terminal designations:	EN 60947-1
Electrical characteristics:	
Rated operating voltage U_e :	24 VDC $\pm 20\%$, residual ripple max. 10%
Fuse rating for the operating voltage:	we recommend a circuit breaker type Z (max. 16 A) or a fine fuse (max. 15 A, delayed action)
UL Rating of external fuse:	max. 16 A, only use fuses in accordance with UL 248 series
Pull-in delay:	< 150 ms
Drop-out delay in case of "emergency stop":	< 10 ms
Drop-out delay on "supply failure":	< 10 ms
Bridging in case of voltage drops:	typ. 5 ms
Readiness after switching on voltage [s]:	< 1.5 sec.
Control current circuits/inputs:	
Inputs S12, S22:	24 VDC/8 mA
Inputs X2, X3, X7:	24 VDC/8 mA
Clock outputs S11, S21:	> 20 VDC, 10 mA per output
Cable length:	1500 m with 1.5 mm ² ; 2500 m with 2.5 mm ²
Conduction resistance:	max. 40 Ω
Relay outputs:	
Switching capacity of the safety contacts:	contacts 13-14, 23-24, 33-34: min: 10 VDC / 10 mA, max: 250 V, 6 A ohms, external (Ik = 1000 A) to EN 60947-5-1
Fuse rating of the safety contacts:	Safety fuse 10 A quick blow, 6 A slow blow
Utilization category to EN 60947-5-1:	AC-15: 230 V / 4 A, DC-13: 24 V / 4 A
Switching capacity of the auxiliary contacts:	41-42: 24 VDC / 1 A
Fuse rating for the auxiliary contact:	safety fuse 2.5 A quick blow, 2 A slow blow
Mechanical life:	10 million operations
Safety contact values:	resistance max. 100 m Ω , AgNi, self-cleaning, positive action
Max. switching cycles / minute:	20
Semi-conductor outputs:	
Switching capacity of the safety outputs:	Qt1, Qt2: max. 2 A
Voltage drop:	< 0.5 V
Leakage current:	< 1 mA
Max. fuse rating of the safety outputs:	refer to "Operating voltage"
Test impulse of the safety outputs:	< 1 ms (negative), < 100 μ s (positive)
Utilization category to EN 60947-5-1:	DC-13: 24 V / 2 A
Switching capacity of signaling outputs:	semi-conductor outputs Y2: 24 VDC/100 mA
Fuse rating of the signaling outputs:	internal electronic trip, tripping current > 100 mA
Mechanical life:	10 million operations
Max. switching cycles / minute:	20
Inductive consumers:	provision is to be made for suitable protective wiring for suppression

Configuration Settings

Rotary knob position	Reset button (detection of the trailing edge)	Cross-wire monitoring active	Input / Sensor configuration	Monitoring of sensor channels for synchronisation (< 5 sec.)
1	Yes	Yes	NC / NC	Yes
2	Yes	Yes	NC / NC	No
3	Yes	No	NC / NC	Yes
4	Yes	No	NC / NC	No
5	Yes	Yes	NC / NO	Yes
6	Autostart	Yes	NC / NO	No
7	Autostart	Yes	NC / NC	Yes
8	Autostart	Yes	NC / NC	No
9	Autostart	No	NC / NC	Yes
10	Autostart	No	NC / NC	No
C			Configuration mode	

Safety monitoring modules

SRB-E-204PE



- Electronic safety input expander
- 2 instant semi-conductor outputs
- 4 signaling semi-conductor outputs
- Monitoring of up to 4 safety devices
- 9 configuration settings adjusting reset, cross-wire detection, input/output configuration
- LED status indication
- Coded plug-in terminal blocks
- Safe monitoring of E-STOP, safety guards, magnetic safety sensors, pull-wire emergency stops, electronic devices with OSSD

Technical data

Standards:	IEC/EN 60204-1, EN 60947-5-1; EN ISO 13849-1, IEC/EN 62061, IEC 61508
EMC rating:	to EMC Directive
Air clearances and creepage distances:	to IEC/EN 60664-1
Mounting:	standard DIN rail to EN 60715
Terminal designations:	EN 60947-1
Electrical characteristics:	
Rated operating voltage U_e :	24 VDC \pm 20%, residual ripple max. 10%
Fuse rating for the operating voltage:	we recommend a circuit breaker type Z (max. 16 A) or a fine fuse (max. 15 A, delayed action)
UL Rating of external fuse:	max. 16 A, only use fuses in accordance with UL 248 series
Pull-in delay:	< 150 ms
Drop-out delay in case of "emergency stop":	< 10 ms
Drop-out delay on "supply failure":	< 10 ms
Bridging in case of voltage drops:	typ. 5 ms
Readiness after switching on voltage [s]:	< 1.5 sec.
Control current circuits/inputs:	
Inputs S12, S22:	24 VDC/8 mA
Inputs X2, X3, X7:	24 VDC/8 mA
Clock outputs S11, S21:	> 20 VDC, 10 mA per output
Cable length:	1500 m with 1.5 mm ² ; 2500 m with 2.5 mm ²
Conduction resistance:	max. 40 Ω
Semi-conductor outputs:	
Switching capacity of the safety outputs Q:	max. 2 A
Voltage drop:	< 0.5 V
Leakage current:	< 1 mA
Max. fuse rating of the safety outputs:	refer to "Operating voltage"
Test impulse to Q1, Q2:	< 1 ms (negative); < 100 μ s (positive)
Utilization category as per EN 60947-5-1:	DC-13: 24 V / 2 A
Switching capacity of signaling outputs:	semi-conductor output Y1-Y4: 24 VDC/100 mA
Fuse rating of the signaling outputs:	internal electronic trip, tripping current > 100 mA
Max. switching cycles / minute:	60
Inductive consumers:	provision is to be made for suitable protective wiring for suppression
Ambient conditions:	
Operating ambient temperature:	-25°C ... +60°C (non-condensing)
Storage and transport temperature:	-40°C ... +85°C (non-condensing)
Protection class:	enclosure: IP40, terminals: IP20, terminal clearance IP54
Mounting:	snaps onto standard DIN rails to DIN EN 60715
Resistance to shock:	30 g / 11 ms
Resistance to vibrations to EN 60068-2-6:	10 ... 55 Hz, amplitude 0.35 mm
Altitude:	max. 2,000 m
Dimensions (height/width/depth):	98 x 22.5 x 115 mm

Configuration Settings

Rotary knob position	Reset button with edge monitoring	Cross-wire monitoring active	Input / Sensor configuration	Monitoring of sensor channels for synchronisation (< 5 sec.)
1	---	Yes	NC / NC	Yes
2	---	Yes	NC / NC	No
3	---	No	NC / NC	Yes
4	---	No	NC / NC	No
5	---	Yes	NC / NO	Yes
6	---	Yes	NC / NO	No
7	---	Sensor 1 -> Yes Sensor 2 -> No Sensor 3 -> No Sensor 4 -> No	NC / NC	No
8	---	Sensor 1 -> Yes Sensor 2 -> Yes Sensor 3 -> No Sensor 4 -> No	NC / NC	No
9	---	Sensor 1 -> Yes Sensor 2 -> Yes Sensor 3 -> Yes Sensor 4 -> No	NC / NC	No
C	Configuration mode			

Safety monitoring modules

SRB-E-402ST



- Electronic safety controller
- **Monitoring of 2 safety functions**
- **Configuration setting for two-hand controls**
- 2 instant relay safety outputs
- 2 instant semi-conductor safety outputs
- 1 signaling relay output
- 1 signaling semi-conductor output
- 21 configuration settings adjusting reset, cross-wire detection, input/output configuration
- LED status indication
- Coded plug-in terminal blocks
- Safe monitoring of E-STOP, safety guards, magnetic safety sensors, pull-wire emergency stops, electronic devices with OSSD

Technical data

Standards:	IEC/EN 60204-1, EN 60947-5-1; EN ISO 13849-1, IEC/EN 62061, IEC 61508
EMC rating:	to EMC Directive
Air clearances and creepage distances:	to IEC/EN 60664-1
Mounting:	standard DIN rail to EN 60715
Terminal designations:	EN 60947-1
Electrical characteristics:	
Rated operating voltage U_e :	24 VDC $\pm 20\%$, residual ripple max. 10%
Fuse rating for the operating voltage:	we recommend a circuit breaker type Z (max. 16 A) or a fine fuse (max. 15 A, delayed action)
UL Rating of external fuse:	max. 16 A, only use fuses in accordance with UL 248 series
Pull-in delay:	< 150 ms
Drop-out delay in case of "emergency stop":	< 10 ms
Drop-out delay on "supply failure":	< 10 ms
Bridging in case of voltage drops:	typ. 5 ms
Readiness after switching on voltage [s]:	< 1.5 sec.
Control current circuits/inputs:	
Inputs S12, S22:	24 VDC/8 mA
Inputs X2, X3, X7:	24 VDC/8 mA
Clock outputs S11, S21:	> 20 VDC, 10 mA per output
Cable length:	1500 m with 1.5 mm ² ; 2500 m with 2.5 mm ²
Conduction resistance:	max. 40 Ω
Relay outputs:	
Switching capacity of the safety contacts:	13-14, 23-24: max. 250 V, 6 A ohmic, min. 10 VDC / 10 mA external (Ik = 1000 A) to EN 60947-5-1 Safety fuse 10 A quick blow, 6 A slow blow
Fuse rating of the safety contacts:	AC-15: 230 V / 4 A, DC-13: 24 V / 4 A
Utilization category to EN 60947-5-1:	41-42: 24 VDC / 1 A
Switching capacity of the auxiliary contacts:	safety fuse, 2.5 A quick blow, 2 A slow blow
Fuse rating for the auxiliary contact:	resistance max. 100 m Ω , AgNi, self-cleaning, positive action
Safety contact values:	10 million operations
Mechanical life:	
Semi-conductor outputs:	
Switching capacity of the safety outputs Q:	max. 2 A
Voltage drop:	< 0.5 V
Leakage current:	< 1 mA
Max. fuse rating of the safety outputs:	refer to "Operating voltage"
Test impulse to Q1, Q2:	< 1 ms (negative) < 100 μ s (positive)
Utilization category to EN 60947-5-1:	DC-13: 24 V / 2 A
Switching capacity of signaling outputs:	semi-conductor output Y1: 24 VDC/100 mA
Fuse rating of the signaling outputs:	internal electronic trip, tripping current > 100 mA
Max. switching cycles / minute:	20
Inductive consumers:	provision is to be made for suitable protective wiring for suppression

Configuration Settings*

Rotary knob position	Reset button (detection of the trailing edge)	Cross-wire monitoring active	Input / Sensor configuration	Monitoring of sensor channels for synchronisation (< 5 sec.)
1	Yes	Yes	NC / NC	Yes
2	Yes	Yes	NC / NC	No
3	Yes	No	NC / NC	Yes
4	Yes	No	NC / NC	No
5	Yes	Yes	NC / NO	Yes
6	Autostart	Yes	NC / NO	No
7	Autostart	Yes	NC / NC	Yes
8	Autostart	Yes	NC / NC	No
9	Autostart	No	NC / NC	Yes
10	Autostart	No	NC / NC	No
11	Function two-hand control type IIIC Only rotary mode switch 2		NC, NO / NC, NO	< 0.5 sec. (upon actuation of setting elements)
C	Configuration mode			

* two safety functions can be different, set individually using rotary mode switch 1 and 2

System Overview of PROTECT-PSC1



The safety control system PSC1 consists of freely programmable compact safety controllers with I/O extension modules for signal processing of emergency stop switches, guard door switches, light grids and additional mechanical and electronic safety switchgear. Additionally there is the possibility via numerous functions to monitor axes. Using the universal communications interface, a connection can be established to all standard field bus systems.

- Safe logic control according to Annex IV of the Machinery Directive 2006/42/EC
- Connection for all standard safety relays up to PLe and SIL 3
- Modular expansion with up to 272 inputs / outputs
- Secure 2 A p-switching semiconductor outputs, can be switched to secure p-/n-switching semiconductor outputs
- Freely programmable inputs / outputs, 2 A p-switching
- Safe drive monitoring according to EN 61800-5-2 (SDM – Safe Drive Monitoring) for up to 12 axes
- Universal communication interface:
 - Supports all standard fieldbus systems
 - Setting and resetting of fieldbus protocols by software
 - Safe remote I/Os via Ethernet Safety Device to Device Communication (SDDC)
 - Safe cross-communication via Ethernet Safety Master to Master Communication (SMMC)
- Integrated Schmersal SD Bus connection to the standard field bus systems
- Safety functionalities up to SIL 3 according to IEC 61508 / IEC 62061, PL e and Cat. 4 according to EN ISO 13849-1

PSC1-①-②-③

① Module hierarchy

- C** Controller
- E** Extensions
- A** Accessories

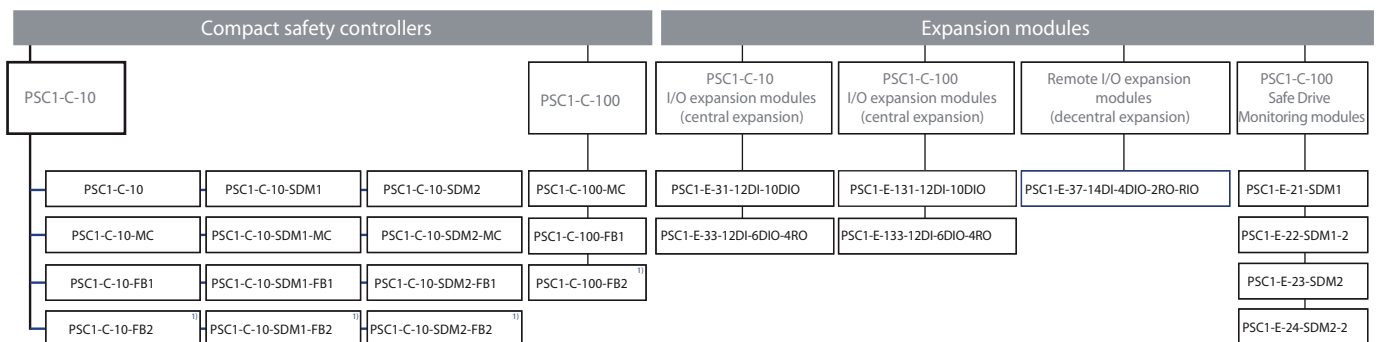
② Group hierarchy

- 10** Safe Programmable Logic Controller
- 100** Safe Programmable Logic Controller
- 2 x** Safe Drive Monitoring (SDM)
- 3 x** I/O Extensions Module
- 8 x** Connector
- 9 x** Software and accessories

③ Options

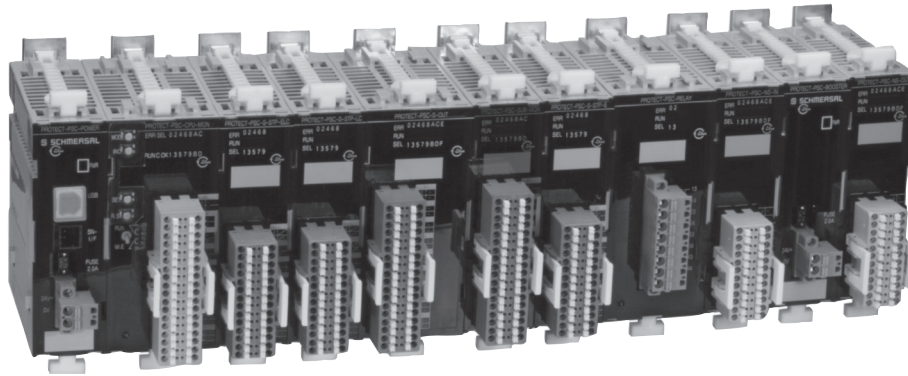
- SDM1** Safe Drive Monitoring for 1 axis
- SDM2** Safe Drive Monitoring for 2 axes
- FB1** Ethernet based fieldbus system
- FB2** Standard based fieldbus system 1)
- MC** Memory Card (SDHC)
- XY DI** XY=Numbers, Digital Input
- XY DIO** XY=Numbers, Digital Input/Output
- XY RO** XY=Numbers, Relay Output
- XY DO** XY=Numbers, Digital Output
- RIO** Remote I/O module

PROTECT PSC1 - Programmable modular safety controller



¹⁾ under preparation

System Overview of PROTECT-PSC



The PSC power* and PSC-CPU-MON modules with 8 safe inputs and 6 safe outputs form the basic configuration for PROTECT-PSC. PSC-Power - primary power for PSC System PSC-Booster - necessary for systems larger than 9 modules

Expand safety with:

- Safe input modules PSC-S-IN-E and PSC-S-IN-LC
- Expand operationally (right, gray terminals) with:
 - Safe output modules PSC-S-IN-OUT and PSC Relay
 - Safe input/output modules PSC-SUB-MON, PSC-STP-E, PSC-S-STP-LC and PSC-S-STP-ELC

Expand operationally

- (right, gray terminals) with:
- Operational input modules PSC-NS-IN
 - Operational output modules PSC-NS-OUT



Module	Number of single channel inputs				Number of single channel outputs			
	Standard signals with dry contacts	Safe			Standard signals with dry contacts	Safe		
		Dry	Nonfloating	Selectable*		Transistor	Relay	
					0.3 A**	0.5 A**	0.3 A**	4 A**
PSC-CPU-MON	—	4	—	4	—	6	—	—
PSC-SUB-MON	—	4	—	4	—	6	—	—
PSC-S-STP-E	—	4	—	2	—	4	—	—
PSC-S-STP-LC	—	—	4	2	—	4	—	—
PSC-S-STP-ELC	—	2	2	2	—	4	—	—
PSC-S-Relay	—	—	—	—	—	—	—	2x2
PSC-S-IN-E	—	16	—	—	—	—	—	—
PSC-S-IN-LC	—	—	16	—	—	—	—	—
PSC-S-OUT	—	—	—	—	—	—	16	—
PSC-NS-IN	16	—	—	—	—	—	—	—
PSC-NS-OUT	—	—	—	—	16	—	—	—

* The dry or non-floating information refers to the technical properties of the input signals:

- Dry-contacts input signals, e.g. from emergency stop control devices, safety switches, interlocking devices, safety solenoid switches and similar.
- Non-floating input signals, e.g. PNP outputs from optoelectronic protective devices such as safety light curtains, laser scanners etc., but also from safety sensors from Schmersal CSS or AZM200 ranges.
- Selectable, input signals are monitored without cross short recognition. Outputs from optoelectronic protective devices can be directly connected, or dry contacts can be monitored up to a PLd.

** Maximum current per output with resistive load.

For complete technical information, please visit www.usa.schmersal.net

Appendix

Glossary	A-2
Safety Standards	A-5
Selected conversions	A-8
Ingress protection ratings	A-9
Safety distance	A-10
General terms	A-12
Product index	A-13
Websites and catalogs	A-14

Glossary of Common Safety Terms

A

Authorized Output: an output from a safety controller's positive-guided relays (used to "authorize" or "enable" a machine's start circuit when safety system conditions exist). Also known as "safety output."

Automatic Reset: a safety controller reset circuit that automatically resets the safety controller when safe system conditions (no system faults) exist. A manual reset button is optional.

Auxiliary Output: a non-safety related contact closure or semiconductor output primarily used for signaling component or system status to a PLC, audible alarm or visual indicator (such as a stack light). Also called a "signaling contact" or "auxiliary monitoring contact".

ANSI (American National Standards Institute): an association of industry representatives who, working together, develop safety and other technical standards.

Auxiliary monitoring contact: See "auxiliary output".

B

BG (Berufsgenossenschaft): an independent German insurance agency whose legislative arm recommends industry safety practices. One of many "notified bodies" authorized to certify that safety products comply with all relevant standards.

C

CE (Conformité Européenne) mark: a symbol (CE) applied to finished products and machinery indicating it meets all applicable European Directives. For electrical and electronic "finished products", such as a safety relay module, these include the Low Voltage Directive and, where relevant, the Electromagnetic Compatibility (EMC) Directive.

Coded Magnet Sensor: a two-piece position sensor consisting of an array of reed switches and a multiple magnet array-actuating element. Such devices will only deliver an output signal when the reed switch element is in the presence of a matched, multiple-magnetic field array. Coded-magnet sensors cannot be actuated using a simple magnet. Hence they are far more difficult to defeat/bypass than a simple magnetic switch or proximity sensor.

Control Reliability: A term applied to safety devices or systems which are designed constructed and installed such that the failure of a single component within the device or system does not prevent normal machine stopping action from taking place... but does prevent a successive machine cycle from being initiated.

CSA (Canadian Standards Association): an independent Canadian testing and standards-

making organization similar to Underwriters Laboratories (UL) in the U.S. "CSA-certified" products meet relevant CSA electrical and safety standards.

D

Declaration of Conformity: a manufacturer's self-certified document, signed by a highly-positioned technical manager, which lists all the Standards and Directives to which a product conforms. A Declaration of Conformity is mandatory for all CE-marked products, and for machine components which, if they fail, could lead to a dangerous or hazardous situation on a machine.

Defined Area: a predetermined area scanned by a light beam within which the presence of an opaque object of specified minimum size will result in the generation of a control signal.

Direct Action Contacts: See "positive break" contacts.

Diverse Redundancy: the use of different components and/or different microprocessor instruction sets written by different programmers in the design and construction of redundant components/circuits. Its purpose is to increase system reliability by minimizing the possibility of common-mode failure (the failure of like components used in redundant circuits).

Dual Channel Safety System: a safety control system characterized by two inputs; each connected to one of two independent safety circuits. Dual-channel systems are typically capable of detecting interconnection wiring faults such as open circuits, short-circuits and ground faults. As such they provide a higher level of safety than single-channel systems.

E

Electronic Safety Sensor: A safety switch that uses non-contact communication between the safety sensor and the actuator. Provides a large switching distance, a high degree of fail-safety, and tamper resistance. Contains a microprocessor to provide continual internal function tests and monitor safety outputs, and allows intelligent diagnostic as well as fast failure detection.

Emergency Stop (E-Stop): A manual device allowing an operator to safely stop a machine in an emergency situation.

European Machinery Directive (EMD) 2006/42/EC: a set of machine safety design requirements which must be satisfied to meet the Essential Health and Safety standards established by the European Economic Community. This Directive, and other relevant European Directives (such as the Low Voltage Directive, EMC Directive, et al) must be satisfied for the machine to bear the CE mark.

F

Fail-to-Danger: a component or system failure which allows a machine to continue operating, exposing personnel to a hazardous or unsafe condition.

Fail-to-Safe: a component failure causes the device/system to attain rest in a safe condition.

Fault Detection: the monitoring of selected safety system components whose failure would compromise the functioning of the safety system. The detection of such failures is known as "fault detection." Examples are:

- a short-circuit in the safety circuit's interconnection wiring
- an open-circuit in the safety circuit's interconnection wiring
- a welded contact in the safety controller's positive-guided relays
- an open machine guard

Fault Exclusion: the ability to minimize known possible component failures ("faults") in a safety system by design criteria and/or component selection. Simple examples of "excluded faults" are:

- The use of an overrated contactor to preclude the possibility of contact welding.
- Design of a machine guard such that the safety interlock switch actuator cannot be damaged.
- Selection of a suitable safety interlock switch.
- Use of positive-break safety interlock switches together with a self-monitoring safety relay module, such that the possibility of a contact weld resulting in the loss of the safety function is eliminated.

Feedback Loop: an auxiliary input on a safety controller designed to monitor and detect a contact weld in the primary machine-controlled device (e.g. motor contactor, relay, et al) having positive-guided contacts.

Force Guided Contacts: See "Positive Guided Contacts".

Fixed Barrier Guard: See "Hard Guarding".

G

Guard: a barrier that prevents entry of an individual's hands or other body parts into a hazardous area.

H

Hard Guarding: the use of screens, fences, or other mechanical barriers to prevent access of personnel to hazardous areas of a machine. "Hard guards" generally allow the operator to view the point-of-operation.

Hazardous Area: an area of a machine or process which presents a potential hazard to personnel.

I

Interlock: an arrangement in which the operation of one device automatically brings about or prevents the operation of another device.

Interlocked Barrier Guard: a fixed or movable guard which, when opened, stops machine operation.

L

Limit Switch: switch operated by the motion of a machine part or presence of an object. They are used for control of a machine, as safety interlocks, or to count objects passing a point.

M

Machine Primary Control Element (MPCE): an electrically powered component which directly controls a machine's operation. MPCE's are the last control component to operate when a machine's motion is initiated or stopped.

Machine Secondary Control Element (MSCE): a machine control element (other than an MPCE) capable of removing power from the hazardous area(s) of a machine.

Manual Start-Up Test: a term applied to safety controllers designed such that at least one of the system's interlocked machine guards must be manually opened and closed (after applying power) before machine operation is authorized.

Manually Monitored Reset: a safety controller reset circuit requiring the presence of a discrete "trailing-edge" signal (24V to 0V) to activate the controller's authorized outputs. A reset button is mandatory.

Muting: the ability to program a monitoring and/or control device to ignore selected system conditions.

N

Negative Mode Mounting: the mounting of a single piece safety interlock switch (e.g. a limit switch) such that the force applied to open the normally closed (NC) safety contact is provided by an internal spring. In this mounting mode the NC contacts may not open when the safety guard is "open". Here welded/stuck contacts, or failure of a contact-opening spring, may result in exposing the machine operator to a hazardous/unsafe area. When mounted in the "negative-mode", single-piece safety interlock switches can be easily circumvented/defeated by the operator...simply by taping down the switch actuator when the safety guard is open.

Non-Separating Guard: sensing devices such as light curtains, scanners, or pressure mats that detect the presence of operators, but do not provide a physical barrier between the operator and hazard.

O

OSHA (Occupational Safety Health

Administration): a U.S. Department of Labor Federal agency responsible for monitoring and regulating workplace safety. OSHA enforcement may reference their own regulations, as well as those of other industry standards-making groups (e.g. ANSI, NFPA, UL, et al).

P

PELV Circuits: Protected Extra Low Voltage. A method to avoid shock hazards. Circuits should be designed to guarantee a low risk of accidental contact with a higher voltage, and may be grounded.

Performance Level: outlined in EN ISO 13849-1, a required level of safety for SRPCS. Designated PLa through PLe.

PLC or Programmable Logic Controller: a digital computer used for automation of electromechanical processes, such as control of machinery on factory assembly lines, amusement rides, or light fixtures.

Point of Operation: the area(s) of a machine where material or the work piece is positioned and a process is performed.

Point of Operation Guarding: a device or guard installed at the interface between the operator and the point of operation which is intended to protect personnel from hazardous areas.

Position Switch: see "Limit Switch"

Positive Break Contacts: normally-closed (NC) contacts which, upon actuation, are forced to open by a non-resilient mechanical drive mechanism. Also called "positive-opening" or "direct-action" contacts.

Positive Guided Contacts: Normally-open (NO) and normally-closed (NC) contacts which operate interdependently such that the NO and NC contacts can never be closed at the same time. They are designed such that if one of the contacts welds/sticks closed, the other contacts cannot change state. The interdependent operation between NO and NC contacts permits self-checking/monitoring of the functioning of relays and contactors featuring positive-guided contacts. Hence they are desirable in machine safety circuits where "fail-to-safe" or "control reliability" is desired. Also called "force-guided contacts".

Positive Linkage: a term applied to roller lever, rocking lever and other switch actuating members designed such that the integrity of the linkage between the actuator and the shaft is heightened (beyond a set screw on a smooth shaft) by its mechanical design. Examples of positive-linkages are pinned, square and serrated shafts.

Positive Mode Mounting: the mounting of a single piece safety interlock switch (e.g. a limit switch) such that the non-resilient mechanical mechanism which forces the normally-closed (NC) contacts to open is directly driven by the interlocked machine safety guard. In this mode

(as opposed to "negative-mode mounting") the safety guard physically forces the NC contacts to open when the guard is opened.

Positive Opening Contacts: See "Positive-Break Contacts".

Pulse Echo: A non-contact technology patented by Schmersal for electronic safety sensors. It uses electromagnetic pulses to communicate between the sensor and actuator target. When approaching the sensor, the actuator oscillates at a predetermined resonant frequency which is detected by the sensor. While doing this, the sensor evaluates the coding of the actuator as well as its distance to determine a closed guard and enable safety outputs.

Push/Pull Operation: a term applied to emergency rope-pull switches designed to actuate when the rope/trip-wire is pulled and when it is pushed (goes slack). Such rope-pull switches provide a higher level of safety than units which only actuate when the trip-wire/rope is pulled.

R

Redundancy: the duplication of control circuits and/or components such that if one component/circuit should fail the other (redundant) component/circuit will ensure safe operation.

Risk Assessment: a systematic means of quantifying the relative level of danger different types of machine hazards present to the machine operator and/or maintenance personnel. This assessment is usually done in the early stages of the machine's design to permit such hazards to be designed-out or alternatively determine the scope of the safety system needed to protect personnel from possible injury.

RFID (Radio Frequency Identification): A non-contact technology for electronic safety sensors that uses radio waves to communicate between the sensor and actuator target. When approaching the sensor, the actuator broadcasts its identification number over the frequency detected by the sensor. The proximity of the actuator determines that the guard is closed and safety outputs are enabled.

S

Safeguarding: protecting personnel from hazards using guards, barriers, safety devices and/or safe working procedures.

Safety Controller: an electronic and/or electromechanical device designed expressly for monitoring the integrity of a machine's safety system. Such controllers are designed using positive-guided (force-guided) relays. Depending upon the model, safety controllers are capable of detecting the following types of potential safety system faults:

- Machine guard(s) open
- Guard monitoring switch/sensor failure
- Interconnection wiring "open circuit"
- Interconnection wiring "short circuit"
- Interconnection wiring "short-to-ground"

- Welded contact in controlled output device
- Failure of one of the safety controller's positive-guided relays
- Fault in the safety controller's monitoring circuit
- Insufficient safety controller operating voltage

Upon detection of a system fault, the safety controller will initiate a "machine stop" command and/or prevent the restarting of the machine until the fault has been corrected. The "stop" command may be immediate or time-delayed depending upon the model safety controller selected.

Safety Distance: for the proper placement of non-separating guards, a calculation of factors such as approach speed and system reaction time, to insure that the machine stops before the hazard is reached.

Safety Enable: see "Authorized Output."

Safety Interlock Switch: a switch designed expressly to safely monitor the position of a machine barrier guard. Such switches typically feature positive-break contacts and are designed to be more tamper-resistant than conventional position/presence-sensing switches.

Safety Output: see "Authorized Output."

Safety Relay: an electromechanical relay designed with positive-guided contacts.

Self Checking: the performing of periodic self diagnostics on the safety control circuit to ensure that critical individual components are functioning properly.

Self Monitoring: see "Self-Checking".

Separating guard: a panel, fence, window, or door that physically separates the operator from the hazard.

Serial Diagnostics: A system for series-wired electronic safety sensors that transmits the operational status of each participant in the chain to a central processor that is connected to conventional and commercially available PLC systems. It provides fast and accurate error messages with detailed information about the failure.

Single Channel Safety System: a safety control system characterized by one safety interlock switch whose normally closed contact is the sole input to a safety controller or a motor contactor. Such systems are unable to detect a short circuit failure in the interconnection wiring and are only recommended for addressing Safety Categories B, 1 and 2 (see "Risk Assessment").

Solenoid Latching Safety Interlock Switch: a two-piece safety interlock (actuating key and switch mechanism) whose design prevents the removal of the actuating key until released by an integral latching solenoid. Solenoid latching is typically controlled by a time-delay, motion detector, position sensor or other control components.

Stop Category "0": immediate removal of

power from the controlled devices.

Stop Category "1": removal of power after a time delay, up to 30 seconds. This is commonly used with drive systems where immediate removal of power may result in a longer stop time.

SRPCS (Safety Related Parts of Control Systems): systems or subsystems which perform a safety function.

T

Tamper Resistant: a term applied to safety interlock switches referring to their relative ability to be defeated or bypassed using simple, readily available means such as a screwdriver, paper clip, piece of tape or wire, etc. Switches and sensors designed expressly for use as machine guard safety interlocks are designed to be more "tamper-resistant" than conventional switches/sensors (e.g. proximity switches, reed switches, conventional limit switches).

Time Delayed Authorized Outputs: a safety controller's authorized outputs whose activation is delayed (up to 30 seconds) to satisfy Stop Category 1 requirements.

Trailing Edge Reset: (See "Manually Monitored Reset.")

Two Hand Control: a machine control system which requires "simultaneous" use of both of the operator's hands to initiate a machine cycle.

U

UL (Underwriters Laboratories): an independent testing and standards-making organization. UL tests products for compliance to relevant electrical and safety standards/requirements.

Machinery Safety Standards

EUROPEAN STANDARDS

The European safety requirements for man and machine are established in the European Machinery Directive (EMD). According to the EMD, machinery must be designed and built to meet the Directive's requirements as defined by existing and emerging European standards. These "European Norms", prepared by representatives of the European Economic Community (EEC) member states and produced by the European standards committees CEN and CENELEC, provide a harmonized baseline for the design and construction of safe machinery.

As of January 1, 1997, machinery sold into or within the EEC must comply with the requirements of the European Machinery Directive. Equipment which complies may be affixed with the CE mark (for "Conformité Européenne"). The CE mark on a machine signifies that it conforms to the essential health and safety requirements defined by the relevant European Norms.

These "Norms" form a hierarchical structure which include:

Type A Standards: Fundamental Safety Standards which contain basic concepts, principles of design, and general aspects applicable to all machinery.

Type B Standards: Group Safety Standards, each of which focuses on a specific subject applicable to a range of machinery types. "B1 Standards" cover a specific safety aspect defined in the Fundamental Standards. "B2 Standards" cover the requirements of specific safety related devices such as two-hand controls, interlocking devices, movable guards, etc.

Type C Standards: Specific Machine Safety Standards, each of which define protective measures required for hazardous areas of a specific machine or group of machines.

Type A and Type B Standards are intended to assist in the machinery design process, and eliminate the need to repeat these general requirements in the machine-specific (Type C) Standards.

Many product standards are still in the planning stage and the number of Type C Standards is continuously increasing. Some are still in draft form (designated as "prEN" standards). Others exist as finished ("EN") standards.

Where no machine-specific standard exists, the requirements of the Machinery Directive can be satisfied by observing existing European Standards and relevant national standards/specifications. Draft standards (prEN) published by the European Union are also accepted and used as a basis for evaluating products for compliance to the Directives. It is important to note that such draft standards may change before being finalized and adopted as EN standards.

Selected European Standards

Type "A" Standards:

EN ISO 12100,
Safety Machinery – Basic Concepts, General Principles of Design, Parts 1 & 2.

Type "B1" Standards:

EN ISO 13849-1
Safety of Machinery – Safety-Related Parts of Control Systems – Part 1: General Principles for Design

EN ISO 13857
Safety of Machinery – Safety Distances to Prevent Danger Zones from Being Reached by Upper and Lower Limbs.

EN349
Safety of Machinery – Minimum Gaps to Avoid Crushing of Parts of the Human Body.

EN ISO 13855
Safety of Machinery – The Positioning of Protective Equipment in Respect of Approach Speeds of the Human Body.

EN ISO 12100
Safety of Machinery – Principles of Risk Assessment.

Type "B2" Standards:

EN ISO 13850
Safety of Machinery – Emergency Stop Devices, Functional Aspects – Principles for Design.

EN 574
Safety of Machinery – Two-Hand Control Devices, Functional Aspects – Principles for Design.

EN ISO 14119
Safety of Machinery – Interlocking Devices Associated with Guards – Principles for Design & Selection.

EN ISO 14120
Safety of Machinery – General Requirements for the Design and Construction of Guards.

EN ISO 13856-1
Safety of Machinery – Pressure Sensitive Safety Devices – Mats & Floors.

EN ISO 13856-2
Safety of Machinery – Pressure Sensitive Safety Devices – Edges & Bars.

prEN61496
Safety of Machinery – Electrosensitive Protective Equipment.

Type "C" Standards:

EN415 Packaging Machines

EN692 Mechanical Presses

EN693 Hydraulic Presses

EN746 Thermoprocessing Machines

EN931 Footwear Manufacturing Machines

EN1114-1 Rubber & Plastics Machines

EN1672 Food Processing Machines

SOURCE FOR STANDARDS

EN & IEC Standards are available from:
Global Engineering Documents
15 Inverness Way East
Englewood, CO 80112
Telephone: (800) 854-7179

US STANDARDS

In the United States, the protection of workers is the primary concern of OSHA, the Occupational Health and Safety Administration, a division of the Department of Labor. OSHA's role is to assure safe and healthful working conditions for working men and women; by authorizing enforcement of the standards developed under the Occupational Safety & Health Act; by assisting and encouraging the States in their efforts to assure safe and healthful working conditions; by providing for research, information, education, and training in the field of occupational safety and health. OSHA is the primary regulatory agency for safety and health, setting national standards and providing for the enforcement thereof. OSHA also relies on consensus standards. These are guidelines and standards created by standards-making organizations, trade associations, and third party testing facilities. In the machinery industry, these include: American National Standards Institute (ANSI), Robotics Industry of America (RIA), Instrument Society of America (ISA), National Fire Prevention Association (NFPA), Underwriters Laboratories, Inc. (UL),

State OSH Standards

Section 18 of the Occupational Safety and Health Act of 1970 (the OSH Act) encourages states to develop and operate their own safety and health programs in the workplace. OSHA approves and monitors State Plans.

The following states have adopted safety and health standards:

Alaska
Arizona
California
Hawaii
Indiana
Iowa
Kentucky
Maryland
Michigan
Minnesota
Nevada
New Mexico
North Carolina
Oregon
South Carolina
Tennessee
Utah
Vermont
Virginia
Washington
Wyoming

Selected US Standards and Guidelines

OSHA 29 CFR 1910.212
General Requirements for (Guarding of) All Machines

OSHA 29 CFR 1910.217
(Guarding of) Mechanical Power Presses

ISA S84.01
Safety Instrumented Systems

ANSI B11.1
Machine Tools – Mechanical Power Presses – Safety Requirements for Construction, Care, and Use of

ANSI B11.2
Hydraulic Power Presses – Safety Requirements for Construction, Care, and Use of

ANSI B11.3
Power Press Brakes – Safety Requirements for Construction, Care, and Use of

ANSI B11.4
Shears – Safety Requirements for Construction, Care, and Use of

ANSI B11.5
Machine Tools – Iron Workers – Safety Requirements for Construction, Care, and Use of

ANSI B11.6
Lathes – Safety Requirements for Construction, Care, and Use of

ANSI B11.7
Cold Headers & Cold Formers – Safety Requirements for Construction, Care, and Use of

ANSI B11.8
Drilling, Milling, and Boring Machines – Safety Requirements for Construction, Care, and Use of

ANSI B11.9
Grinding Machines – Safety Requirements for Construction, Care, and Use of

ANSI B11.10
Metal Sawing Machines – Safety Requirements for Construction, Care, and Use of

ANSI B11.11
Gear Cutting Machines – Safety Requirements for Construction, Care, and Use of

ANSI B11.13
Machine Tools – Single- and Multiple-Spindle Automatic Bar and Chucking Machines – Safety Requirements for Construction, Care, and Use of

ANSI B11.14
Coil Slitting Machines/Systems – Safety Requirements for Construction, Care, and Use of

ANSI B11.15
Pipe, Tube, and Shape Bending Machines – Safety Requirements for Construction, Care, and Use of

ANSI B11.16
Metal Powder Compacting Presses – Safety Requirements for Construction, Care, and Use of

ANSI B11.17
Horizontal Extrusion Presses – Safety Requirements for Construction, Care, and Use of

ANSI B11.18
Machinery and Machine Systems for the Processing of Coiled Strip, Sheet, and Plate – Safety Requirements for

ANSI B11.19
Performance Criteria for the Design, Construction, Care, and Operation of Safeguarding when Referenced by Other B11 Machine Tool Safety Standards

ANSI B11.20
Machine Tools – Manufacturing Systems/Cells – Safety Requirements for Construction, Care, and Use of

ANSI B183
Roll Forming and Roll Bending Machines – Safety Requirements for Construction, Care, and Use of

ANSI/RIA 15.06
Safety Requirements for Industrial Robots and Robot Systems

NFPA 79
Electrical Standard for Industrial Machinery 2015 Edition

SOURCE FOR STANDARDS

ANSI & NFPA Standards are available from:
American National Standards Institute (ANSI)
11 West 42nd Street
New York, NY 10036
Telephone: (212) 642-4900

OSHA Regulations are available from:
Superintendent of Documents
Government Printing Office
Washington, DC 20402-9371
Telephone: (202) 783-3238

CANADIAN STANDARDS:

In Canada, each province has its own regulatory body for occupational health and safety, such as the Ministry of Labour in Ontario. There are fourteen jurisdictions – one federal, ten provincial, and three territorial – each governing the way industrial safety is implemented and enforced in their specific province or territory. Federal legislation covers employees of the federal government and Crown agencies and corporations across Canada. In each province or territory, there is an act (typically called the Occupational Health and Safety Act, or something similar) which applies to most workplaces in that region.

Duties of Employers and Other Persons

The various Occupation Health and Safety Acts impose duties on those who have any degree of control over the workplace, the materials and equipment in the workplace, and the direction of the work force. There is a general duty on employers to take all reasonable precautions to protect the health and safety of workers. In addition, the Act and regulations set out many specific responsibilities of the employer. For example, there are duties that specifically relate to toxic substances, hazardous machinery, worker education, and personal protective equipment. There is a duty on all officers and directors of corporations to ensure that their corporations comply with the Act and regulations. The duties of workers are generally to work safely, in accordance with the Act and regulations.

Canadian Regulatory Agencies

Please find the regulatory agency in each province and territory as below:

Alberta
Workplace Health and Safety, Alberta
Employment and Immigration

British Columbia
WorkSafeBC

Manitoba
SAFE Manitoba

New Brunswick
WorkSafeNB

Newfoundland and Labrador
Occupational Health and Safety Branch,
Department of Government Services

Northwest Territories and Nunavut
Workers' Compensation Board of the Northwest
Territories and Nunavut

Nova Scotia
Occupational Health & Safety Division, Nova
Scotia Labour and Workforce Development

Ontario
Occupational Health and Safety Branch,
Ministry of Labour

Prince Edward Island
Occupational Health and Safety Division,
Workers' Compensation Board

Quebec
Commission de la santé et de la sécurité du
travail du Québec (Occupational Health and
Safety Commission of Quebec)

Saskatchewan
Occupational Health and Safety Division,
Saskatchewan Ministry of Advanced Education,
Employment and Labour

Yukon
Yukon Workers' Compensation Health and
Safety Board

Resources:

There is also a national Canadian Standards Association that sets safety standards which are voluntary and represent best practices. CSA standards may be enforced by law when referenced in provincial, territorial or federal legislation or regulations. These standards are designed to be complementary to the actions of government in tackling the issue of worker safety and can provide tools to help organizations comply with regulations and demonstrate due diligence.

Relevant Canadian Standards

CAN/CSA-Z142-10
Code for Power Press Operation: Health,
Safety, and Guarding Requirements

CAN/CSA-Z432-16
Safeguarding of Machinery

CAN/CSA-Z434-14
Industrial Robots and Robot Systems – General
Safety Requirements

CAN/CSA-Z460-13
Control of Hazardous Energy – Lockout and
Other Methods

CAN/CSA-Z462-15
Workplace Electrical Safety

CAN/CSA-Z1002
Injury Risk Assessment and Management

CAN/CSA-Z1006-16
Work in Confined Spaces

CAN/CSA-Z1004-12
General Workplace Ergonomics

CAN/CSA Z1000-06
Occupational Health and Safety Management

CAN/CSA-Z1600-14
Emergency Management and Business
Continuity Programs

SOURCE FOR STANDARDS

CSA Standards are available from:
CSA Head Office – Mississauga
5060 Spectrum Way, Suite 100
Mississauga, Ontario L4W 5N6 CANADA

SELECTED CONVERSION FACTORS

TO CONVERT				TO CONVERT			
Parameter	From	To	Multiply by	Parameter	From	To	Multiply by
Temperature	°C	°F	$(^{\circ}\text{C} \times 9/5) + 32$	Force	centigrams	grams	0.01
	°F	°C	$(^{\circ}\text{F} - 32) \times 5/9$		dynes	grams	0.00102
	°C	°K	$^{\circ}\text{C} + 273.18$		dynes	newtons	1.0×10^{-5}
Distance	cm	inches	0.3937		dynes	kg	1.02×10^{-6}
	mm	inches	0.03937		dynes	pounds	2.248×10^{-6}
	cm	feet	0.03281		grams	kilograms	1.0×10^{-3}
	inches	mm	25.4		grams	milligrams	1.0×10^3
	feet	cm	30.48		grams	oz (avdp)	3.527×10^{-2}
	meters	feet	3.281		grams	oz (troy)	3.215×10^{-2}
	meters	inches	39.37		grams	pounds	2.205×10^{-3}
	Energy	btu	gram calories		2.52×10^2	kilograms	dynes
btu		hp-hours	3.927×10^{-4}		kilograms	grams	1.0×10^3
btu		joules	1.055×10^3		kilograms	newtons	9.807
btu		kW-hours	2.928×10^{-4}		kilograms	pounds	2.2046
btu		ergs	1.055×10^{10}		kilograms	oz (avdp)	3.5274×10^1
ergs		btu	9.486×10^{-11}	newtons	dynes	4.448×10^5	
ergs		joules	1.0×10^{-7}	newtons	pounds	0.2248	
ergs		watt-hours	2.773×10^{-11}	pounds	dynes	1.0×10^5	
foot pounds		btu	1.286×10^{-3}	pounds	grams	4.5359×10^2	
foot pounds		gm-calories	3.241×10^{-1}	pounds	newtons	4.448	
foot pounds		hp-hours	5.05×10^{-7}	pounds	kilograms	4.536×10^{-1}	
					pounds	oz (avdp)	1.6×10^1
				pounds	oz (troy)	1.458×10^1	

NEMA, UL, CSA & IEC

INGRESS PROTECTION RATINGS

NEMA, UL, CSA and IEC have each established ratings systems intended to identify an enclosure's ability to repel elements from the outside environment. These rating systems address the enclosure's ability to protect against a variety of environmental conditions.

These include:

- Incidental contact
- Rain, sleet and snow
- Windblown dust
- Hosedown and splashing liquids
- Falling dirt
- Oil or coolant spraying/splashing
- Corrosive agents
- Occasional temporary submersion
- Occasional prolonged submersion

While these ratings are intended to help you make a more informed product selection, there are some differences between each organization's system.

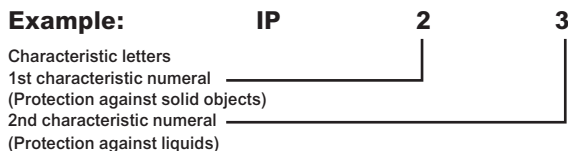
As shown in Table 1, the NEMA, UL and CSA ratings most commonly used in North America are based on similar application descriptions and expected performance. However, while UL and CSA require testing in the laboratories (and periodic manufacturer site inspections to ensure continued adherence to prescribed standards), NEMA leaves compliance and certification up to the manufacturer.

While the European IEC (IP) ratings summarized in Table 2 are based on similar test methods, their performance has some slight and subtle differences in interpretation. For example, selected IP ratings permit limited ingress of water, while UL/CSA ratings do not.

For your reference and convenience we have attempted to provide an approximate cross-reference between North American enclosure ratings (NEMA, UL and CSA) and selected IEC (IP) enclosure ratings (Table 3). Please recognize that these are nearest-equivalents only and should not be considered as direct comparisons.

TABLE 1:
IEC (IP) Enclosure Ratings

IP	Tests	IP	Tests
0	No protection	0	No protection
1	Protected against solid objects up to 50mm, e.g. accidental touch by hands	1	Protected against vertically falling drops of water, e.g. condensation
2	Protected against solid objects up to 12mm, e.g. fingers	2	Protected against direct sprays of water up to 15° from vertical
3	Protected against solid objects over 2.5mm, e.g. tools and wires	3	Protected against sprays to 60° from vertical
4	Protected against solid objects over 1mm	4	Protected against water sprayed from all directions (limited ingress permitted)
5	Protected against dust (limited ingress, no harmful deposit)	5	Protected against low pressure jets of water from all directions (limited ingress permitted)
6	Totally protected against dust	6	Protected against strong jets of water
		7	Protected against the effects of immersion between 1 cm and 1 m
		8	Protected against the effects of immersion beyond 1 m
		9K**	Protection against high pressure high temperature washdown applications



An enclosure with this designation is protected against the penetration of solid objects greater than 12mm and against spraying water.

TABLE 2:
NEMA, UL & CSA vs. IEC (IP) Ingress Protection Ratings*

NEMA, UL, CSA Rating	IEC Rating								IP69K**
	IP23	IP30	IP32	IP64	IP65	IP66	IP67	IP68	
1	•								
2		•							
3				•					
3R			•						
3S				•					
4						•			
4X						•			•
6							•	•	•
6P								•	
12					•				•
13					•				•

* These are nearest equivalents only, and should not be used to make direct conversions from IEC to NEMA classifications.

** Designed to meet DIN 40050, Part 9 (1983) Protection Type Test.

Safety distance for light curtains

Safety distances for light curtains

Between the interruption of a light beam and the standstill of the machine, a certain time expires. The safety light grid or light curtain must be sized and installed such that a stop would be signalled and the hazard ceased prior to a person or a body part accessing the hazard. The standard EN 999 provides the user with detailed information about the calculation of the minimum safety distances. These include the following important influencing factors:

- run-out time of the entire system, taking the different reaction times of the individual systems into account (e.g. machine, safety monitoring module, AOPD etc.)
- capacity of the AOPD to detect body parts (fingers, hand and entire human body)
- set-up of the safety guard in normal condition (vertical fitting), parallel condition (horizontal fitting) or at an arbitrary angle in front of the safety guard and
- the speed at which the protection field is approached.

For the calculation of the minimum safety distance **S** to the hazardous area, EN 999 presents the following general formula:

$$S = K \times T + C$$

Where:

S the safety distance to the dangerous area (mm)

K the approach speed of the body or the body part (mm/s)

T the entire reaction time of the system(s) (including the machine's run-out time, the reaction time of the safety guard and the safety monitoring module etc.)

C additional distance (mm) in front of the safety guard

Normal approach for light curtains:
(Resolution: max. 40 mm)

The minimum safety distance **S** is calculated in the following way:

$$S = 2000 T + 8 \text{ (D-14)}$$

(**D** = Resolution)

This formula applies to safety distances up to 500 mm.

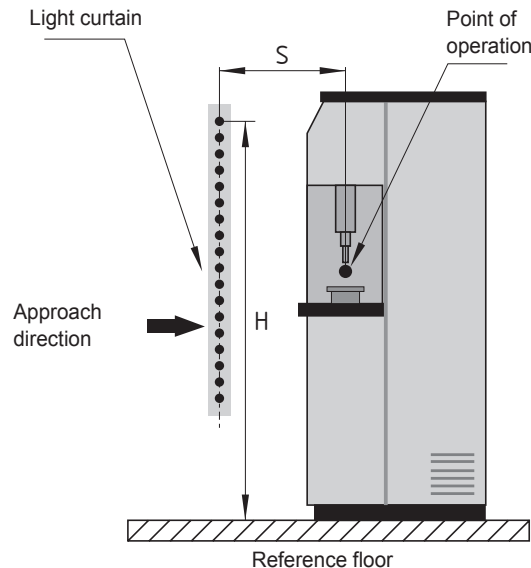
The minimum safety distance **S_{min}** may not be less than 100 mm.

If the calculation produces a distance larger than 500 mm for **S**, the calculation can be repeated with a lower approach speed:

$$S = 1600 T + 8 \text{ (D-14)}$$

In this case, **S_{min}** may not be less than 500 mm.

If the dangerous area of the machine is accessible from the top because of its particular construction, the height **H** of the topmost beam of the light barrier must be at least 1800 mm above the base **G** of the machine.



**Normal approach
for light curtains:
(Resolution: from 40 mm
up to max. 70 mm)**

The minimum safety distance **S** is calculated in the following way:

$$S = 1600 T + 850$$

The height of the topmost light beam must be at least 900 mm, the height of the lowermost light beam maximum 300 mm above the bottom (for the protection of children younger than 14: 200 mm)

**Normal approach
for light grids:
(Resolution: > 70 mm)**

The minimum safety distance **S** is calculated using the following formula:

$$S = 1600 T + 850$$

For safety guards with multiple beams, height **H** (mm) above the reference floor of the individual beams must be applied in the following way:

Number of beams	Height above the reference floor
2	400, 900
3	300, 700, 1100
4	300, 600, 900, 1200

When using light curtains or light grids, particular attention must be paid to the tampering possibilities of the safety guard and to the mechanical risks (e.g. crushing, shearing, cutting, ejection).

**Horizontal approach
for light curtains/grids
(Resolution: > 50 mm)**

The minimum safety distance **S** is calculated using the following formula:

$$S = 1600 T + 1200 - 0.4 H$$

Here, **S_{min}** is 850 mm.

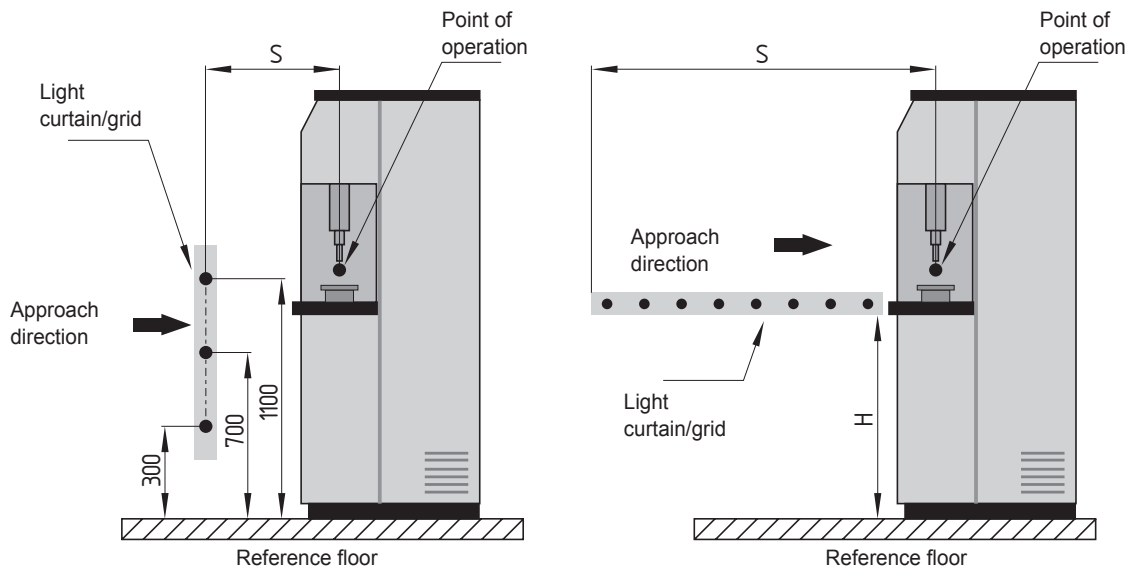
The lowest authorised height **H** depends on the resolution **D** of the light curtain:

$$H = 15 (D-50)$$

For this type of safety guard, the maximum height **H** is 1000 mm.

In the risk analysis, special attention must be paid to the prevention of unintentional undetected access from underneath the protection field.

Further calculation examples can be found in DIN EN 999 as well as in the mounting instructions of the SLC/SLG safety light curtains and grids.



General Terms and Conditions of Sale

ORDERS & BLANKET ORDERS

All orders must include proper description, pricing, quantity and shipping requirements. Buyer must contact the Seller's head-quarters for terms and conditions associated with blanket orders.

PRICES

Unless otherwise stated, prices are firm for thirty days. Seller reserves the right to revise price if there is a change in quantity, size, finish, or method and time shipment differing from those indicated herein. Prices and terms on this quotation and/or acknowledgement of order are not subject to verbal changes or other agreements unless approved in writing by the Seller's headquarters' staff. Unless otherwise negotiated, prices for orders for future delivery will be invoiced at the prevailing price at the time of shipment.

DELIVERY

All material is sold and priced F.O.B. Hawthorne, NY, USA. Unless otherwise specified by the Buyer, all shipments will be made via UPS Ground.

MINIMUM ORDER & PACKAGING CHARGES

Unless otherwise agreed upon, the minimum order billing is \$100 per shipment exclusive of shipping, insurance or other miscellaneous charges.

PAYMENT TERMS

Payment terms are net 30 days. Seller reserves the right to hold shipments to firms with unpaid past due balances. Seller also reserves the right to charge interest at the rate of 1.5% interest per month for accounts in arrears more than 30 days. This interest will never be greater than that allowed by local law.

TITLE

Title to material, priced at Seller's shipping point, shall pass to Buyer upon shipment. Any charges by carrier for switching, demurrage or other services shall be paid by the Buyer.

CHANGES & CANCELLATIONS

Should Buyer desire to cancel, revise or suspend this order for reasons beyond the Buyer's control, Seller shall discuss the matter promptly with the Buyer and do all possible to make a mutually satisfactory agreement. In cases where the material has been manufactured partially or completely for Buyer's requirements, Seller will advise Buyer of charges incurred to Buyer's account.

CLAIMS FOR DEFECTIVE MATERIALS

All material is warranted to be free from defects in quality and workmanship, and to meet the specifications to which ordered. The Seller's obligation under this warranty is limited to repairing or replacing defective material, or crediting the Buyer with the price of the defective material. If Buyer believes the material to be defective, Buyer must notify Seller within 30 days after delivery. Seller has the right to inspect any goods before determination of a reasonable settlement. Toward this end, Buyer must contact Seller's headquarters requesting a formal Return Material Authorization (RMA). An RMA issued by the seller is valid for 30 days, products must be returned within the 30 days. Seller will not accept any material returns without reference to the RMA number of the Buyer's returned goods packing list.

ORDERS FOR NON-STANDARD/SPECIAL ITEMS

Unless otherwise negotiated and confirmed in writing by the Seller, orders for non-standard and special items made to the Buyer's specifications are non-cancelable. Seller reserves the right to bill Buyer for materials purchased for the production of such items, and for all goods fully or partially manufactured at the time of notice of the Buyer's desire to cancel the order.

SPECIAL TOOLING

Special tooling required and paid for by the Buyer shall become the property of the Buyer. Where such tooling incorporates trade secrets, it shall be held in perpetuity at the manufacturer's premises for the exclusive use of the Buyer.

GENERAL

All agreements are contingent upon strikes, accidents, fires, availability of materials and all other causes beyond the Seller's control. Typographical, accounting and other administrative errors are subject to correction. Buyer assumes the liability for patent and copyright infringement for goods made to Buyer's specifications. When Buyer furnishes material for use in production, ample allowance must be made for reasonable spoilage. Such materials must be of suitable quality to facilitate efficient production. Conditions not specifically stated herein shall be governed by established trade customs. Terms inconsistent with those stated herein that may appear on the Buyer's formal order will not be binding on the Seller.

SUSPENSIONS & CANCELLATIONS

Unless otherwise negotiated and agreed to by the Seller, the Buyer must accept final and/or complete delivery on all orders within 90 days from date of first shipment. Should the Buyer fail to accept the complete order within this or the negotiated period for order, the Seller reserves the right to cancel the order and re-bill the Buyer at the price schedule covering the total quantity of parts shipped through the date of cancellation.

WARRANTY AND LIMITATIONS OF WARRANTY:

SCHMERSAL INC. agrees to replace or repair products which have been found defective due to workmanship or material. This warranty is made only for a period within 18 months of the date of the invoice to the Buyer. This warranty applies to products which have been subjected to normal and proper usage, and to which inspection of the product by the seller shows it to be thus defective. Buyer must contact Seller's headquarters requesting a formal Return Material Authorization (RMA) in which a detailed description of the failure or defect is required. An RMA issued by the seller is valid for 30 days, products must be returned within the 30 days. The agreement to repair or replace such a product is limited to F.O.B. shipping point and is in no way a liability for damages; direct or consequential, or for delays, installation, transportation, adjustment or other expenses arising in connection with such product. The seller is not responsible in this warranty for product which is repaired or altered. Nor is the seller responsible in this warranty for products subject to misuse, negligence, or accident. SCHMERSAL INC. is in no way liable or responsible for injuries or damages to persons or property arising from or out of use of the product within described specifications. Except for the warranty herein before stated, there are no express warranties and no implied warranties of merchantability or fitness for a particular purpose, other than those expressly set forth above. This limited warranty is in lieu of and excludes all other representations made, both express and implied, unless set forth in writing and signed by an authorized executive of SCHMERSAL INC.

Product index - alphabetical

Part number	Chapter-Page	Part number	Chapter-Page	Part number	Chapter-Page
A					
ADRR 40 RT	2-13	NDRR 50 RT	2-10	T. 235	1-116
AZ 15	1-7	NDRZ 50 RT	2-10	T. 236	1-116
AZ 16	1-8	P			
AZ 16-...I	1-12	PDM	1-96	T. 335	1-118
AZ 16-ST30	1-11	PFB	1-97	T. 336	1-118
AZ 17	1-2	PROTECT PSC1	5-15	T.C 235	1-120
AZ 200	1-20	PROTECT PSC	5-16	T.C 236	1-120
AZ 3350	1-16	PS 116	1-114	T3Z 068	2-6
AZ 3350-ST30	1-18	R			
AZ 415	1-21	RDRZ 45 RT	2-11	TFA	1-52
AZ 415-ST30	1-25	RSS 16	1-76	TFH 232-...UEDR	2-24
AZM 161	1-36	RSS 260	1-74	TFI	1-52
AZM 161-ST30	1-41	RSS 36	1-72	TV.S 335	1-122
AZM 170	1-28	S			
AZM 190	1-44	SD-Gateway	1-92	TESF	1-124
AZM 200	1-54	SD-I-DP-V0-2	1-92	TESK	1-126
AZM 300	1-64	SD-I-U-...	1-93	TESZ	1-123
AZM 400	1-66	SD-Junction boxes	1-96	TZF	1-42
AZM 415	1-46	SE 40	3-2	TZG	1-14
AZM 415-ST30	1-51	SE 70	3-2	TZM	1-42
B					
BDF 100	2-14	SE-100C	3-6	U	
BDF 200 ...-2875	2-18	SE-304C	3-8	Universal-Gateway	1-93
BNS 16	1-104	SE-400C	3-10	Z	
BNS 260	1-98	SEPG	2-27	Z. 235	1-116
BNS 30	1-109	SEPK	2-26	Z. 236	1-116
BNS 300	1-108	SLB 240	4-18	Z. 335	1-118
BNS 303	1-107	SLB 440	4-19	Z. 336	1-118
BNS 333	1-106	SLC 220 IP69K	4-15	ZQ 700	2-4
BNS 36	1-102	SLC 220 MASTER/SLAVE	4-14	ZQ 900	2-2
BNS 40S	1-100	SLC 220 STANDARD	4-12	ZSD 5	2-22
BNS-B20	1-111	SLC 420 IP69K	4-10	ZSD 6	2-22
C					
CSS 180	1-88	SLC 420 MASTER/SLAVE	4-9		
CSS 30	1-78	SLC 420 STANDARD	4-8		
CSS 30S	1-80	SLC 425I	4-5		
CSS 300	1-82	SLC 440COM	4-2		
CSS 34	1-84	SLC 440	4-3		
CSS-T	1-94	SLC 445	4-4		
CSS-T-A	1-94	SLG 220 IP69K	4-15		
CSS-Y-8P	1-95	SLG 220 STANDARD	4-12		
CSS-Y-A-8P	1-95	SLG 220-P	4-13		
E					
EDRRS 40 RT	2-9	SLG 420 IP69K	4-10		
EDRRZ 40 RT	2-9	SLG 420 STANDARD	4-8		
EX-RDRZ 45 RT	2-11	SLG 422-P	4-11		
K					
KDRRKZ 40 RT	2-12	SLG 425I	4-5		
L					
LF 50	4-7	SLG 425-IP	4-6		
M					
MZM 100	1-60	SLG 440COM	4-2		
N					
O					
P					
Q					
R					
S					
T					
U					
V					
W					
X					
Y					
Z					

We are at your disposal - anyplace, anywhere , anytime!



Schmersal USA Website
www.schmersalusa.com
www.schmersalcanada.ca

The Schmersal homepage contains up-to-date information on general subjects, technical articles on machine safety as well as news regarding events and trainings.

Need a distributor? State by state listings of our 100+ distributors can be found in our contact section.

This and all our printed catalogs are available for download as PDFs. There is a video section with product demonstrations, webinar recordings, safety tutorials, and product animations.

Sign up for our newsletter, the Gatekeeper, or check our schedule of upcoming events.



Online Product Catalog
www.usa.schmersal.net

The online catalog is continually updated. The technical data of our entire product range are always up-to-date. Declarations of conformity, test certificates, and mounting & wiring instructions can be viewed or downloaded as well.

The online catalog can be consulted in several languages: German, English, Spanish, French, Italian, Russian, Chinese, Japanese, and more.

The online catalog also includes dimensional drawings and links to CAD images of our products - a special service to designers. In this way, they can be downloaded and directly fed into CAD systems.



Application Finder
www.applicationfinder.net/us/home/

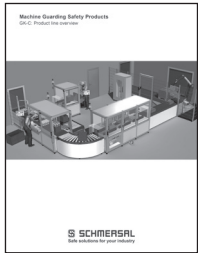
The Application Finder displays an interactive animated packaging plant floor. Users can click on one of the work areas which will open a window with a selection of Schmersal safety switching devices that are optimal for the particular application.

Each selection ultimately links to the Schmersal online product catalog website, where users can see technical data on the selected components.

There are many product-specific animations available throughout, explaining the operation of the switch or providing recommendations for the integration of safety technology into the processes of the machine.

Also available as an app for the iPad.
 Download from iTunes: search *Schmersal*

Additional catalogs and publications available from Schmersal



GK-C Overview Safety products



GK-A Overview Controls & Automation



Tec.nicum Engineering Services Brochure



Gatekeeper newsletter



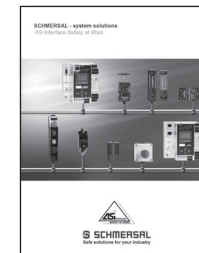
Tech Briefs



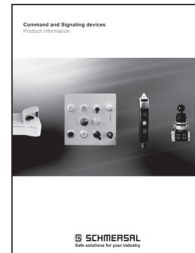
AZM300 Brochure



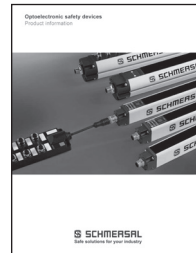
SLC440 Brochure



AS-I Components



Command & Signaling Devices



Optoelectronic Safety Devices



EX Explosion Proof



SATECH Guarding Systems

Schmersal is proud to partner with SATECH to provide guarding solutions.

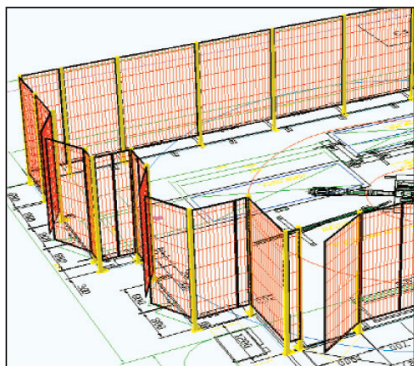
These guarding systems are of high density steel construction. Upright posts and panel frame members are a solid extrusion for extra durability. Fence mesh is constructed by 2mm diameter steel wire, arc welded at each junction. Fencing mesh is spaced 19 mm apart with cross members every 100 mm. This predominantly vertical slot opening reduces interference when trying to view processes on the far side of the fence. The design also deters workers from climbing the fence by providing no toe holds, when panels are installed with the cross pieces inside the hazardous area.

Components are finished using hard-wearing epoxy polyester powder paints. Typical constructions consist of yellow (RAL1021) upright posts with black (RAL9005) panels and accessories. Components can be produced in custom colors to meet individual customer requirements.

These systems are custom designed for each client. We collaborate on the design to meet the specific requirements of each customer, using patented software for the selection of the optimal modular components. Each design generates 3D models and a full parts list.

The custom designed solutions will include all of the necessary installation hardware. Panels and posts can be directly bolted together, or use patented adjustable clip systems. The system utilizes patented captive fastening systems, in accordance with Machinery Directive 2006/42/CE; If a panel needs to be temporarily removed, the fastening hardware will remain in place so pieces will not be lost.

The modular panels of each series are available in a wide range of sizes and option materials. Additional accessories to finish off the system include access doors, kick plates, and cable duct supports. We offer a wide range of safety locks, door handle assemblies, and safety sensors, with special mounting brackets which can be integrated into the guards for a complete safety solution.



Watch an introduction video on YouTube



For more information consult our SATECH catalog



SCHMERSAL USA

15 Skyline Drive
Hawthorne, NY 10532

Tel: (914) 347-4775
Fax: (914) 347-1567
E-mail: salesusa@schmersal.com
www.schmersalusa.com



SCHMERSAL Canada

15 Regan Road Unit #3
Brampton, Ontario L7A 1E3

Tel: (905) 495-7540
Fax: (905) 495-7543
E-mail: salescanada@schmersal.com
www.schmersalcanada.ca