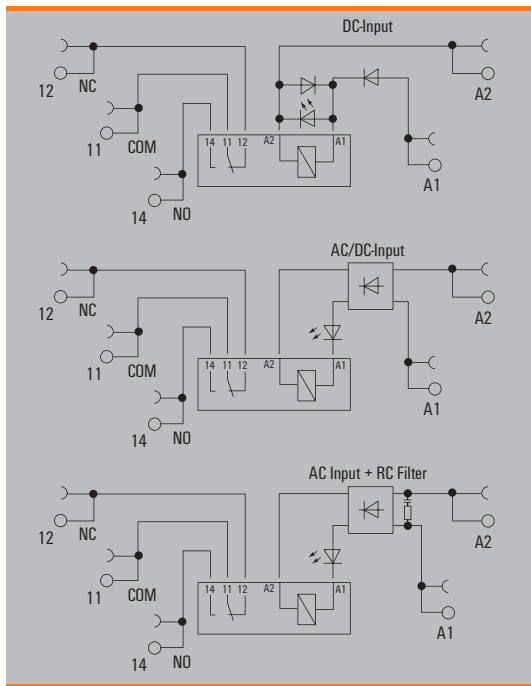
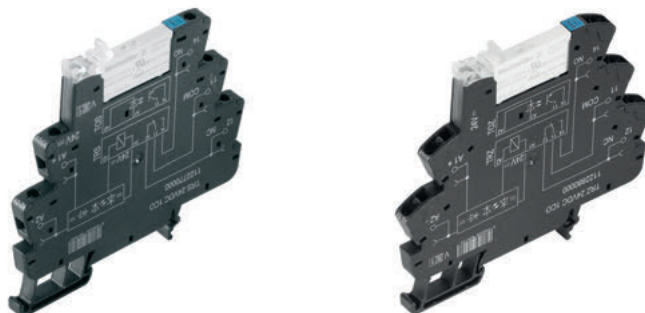


1 CO contact
AC/DC/UC coil

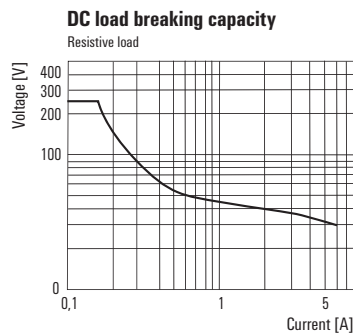
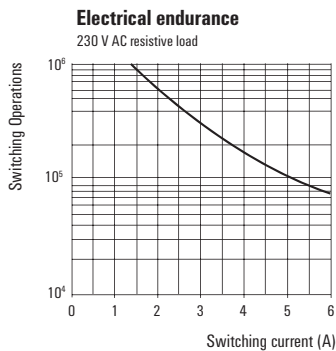
- Space saving, just 6.4 mm modular width
- AgNi contact
- Screw and tension clamp connection



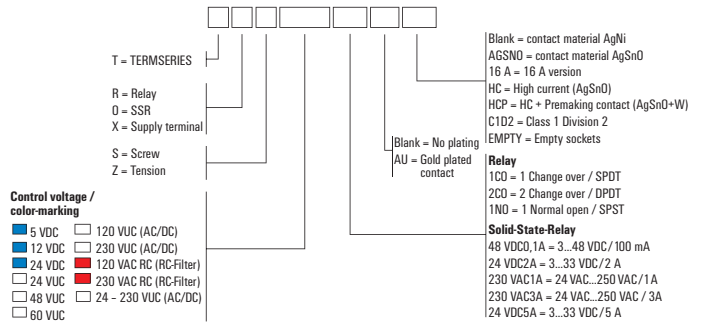
Technical data

Output		
Rated switching voltage / Continuous current	250 V AC / 6 A	
Max. switching voltage, AC	250 V	
Inrush current	20 A / 20 ms	
Min. switching power	100 mA / 5 V, 12 V / 10 mA, 24 V / 1 mA	
DC / AC Switching capacity (resistive), max.	144 W @ 24 V / 1500 VA	
Contact material	AgNi	
Mechanical service life	5 x 10 ⁶ switching cycles	
Max. switching frequency at rated load	0.1 Hz	
Rated data		
Ambient temperature (operational)	-40 °C...60 °C	
Storage temperature	-40 °C...85 °C	
Humidity	5-95% rel. humidity, T _v = 40°C, no condensation	
Approvals	CE, cULus, EAC, GL	
Insulation coordination (EN 50178)		
Rated voltage	300 V	
Impulse withstand voltage	6 kV (1.2/50 µs)	
Dielectric strength input - output	4 kV _{eff} / 1 min.	
Dielectric strength, contact / contact	4 kV _{eff} / 1 min.	
Dielectric strength to mounting rail	4 kV _{eff} / 1 min.	
Creepage and clearance distance input - output	≥ 5.5 mm	
Overtoltage category	III	
Pollution degree	2	
Dimensions		
Clamping range (nominal / min. / max.)	mm ²	1.5 / 0.14 / 2.5
Depth x width x height	mm	88 / 6.4 / 90
Note		
Accessories and dimensional drawings: refer to the TERMSERIES Accessories page.		

Applications



1 CO contact
AC/DC/UC coil



Ordering data

	5 V DC	12 V DC	24 V DC	24 V UC	48 V UC
Input					
Rated control voltage	5 V DC ±20 %	12 V DC ±20 %	24 V DC ±20 %	24 V UC ±10 %	48 V UC ±10 %
Rated current AC / DC	/ 35.8 mA	/ 18 mA	/ 10 mA	11.7 mA / 6.4 mA	8 mA / 7 mA
Power rating	200 mW	210 mW	240 mW	270 mVA / 154 mW	240 mVA / 192 mW
Pull-in/drop-out voltage, typ.	3.3 V / 1 V DC	8 V / 2 V DC	16 V / 4 V DC	16.5 V / 5.5 V AC 16.5 V / 5.5 V DC	29 V / 10 V AC 29 V / 10 V DC
Pull-in/drop-out current, typ.	21.6 mA / 8 mA DC	9 mA / 3 mA DC	7 mA / 2 mA DC	4 mA / 1.2 mA AC 4 mA / 1.2 mA DC	4 mA / 1.2 mA AC 4 mA / 1.2 mA DC
Status indicator	Green LED	Green LED	Green LED	Green LED	Green LED
Protective circuit	Integrated free-wheel diode, Reverse polarity protection	Integrated free-wheel diode, Reverse polarity protection	Integrated free-wheel diode, Reverse polarity protection	Rectifier	Rectifier
Output					
Switch-on delay	< 8 ms	< 7 ms	< 6 ms	< 4 ms	< 8 ms
Switch-off delay	< 4 ms	< 8 ms	< 7 ms	< 1.2 ms	< 4 ms

Ordering data

Screw connection	Type	TRS 5VDC 1CO	TRS 12VDC 1CO	TRS 24VDC 1CO	TRS 24VUC 1CO	TRS 48VUC 1CO
	Order No.	1122740000	1122750000	1122770000	1122780000	1122790000
Tension clamp conn.	Type	TRZ 5VDC 1CO	TRZ 12VDC 1CO	TRZ 24VDC 1CO	TRZ 24VUC 1CO	TRZ 48VUC 1CO
	Order No.	1122860000	1122870000	1122880000	1122890000	1122900000
Note		Spare relay Type: RSS113005 Orderno.: 4061580000	Spare relay Type: RSS113012 Orderno.: 4061610000	Spare relay Type: RSS113024 Orderno.: 4060120000	Spare relay Type: RSS113024 Orderno.: 4060120000	Spare relay Type: RSS113024 Orderno.: 4060120000

Ordering data

	60 V UC	120 V UC	230 V UC	120 V AC RC	230 V AC RC
Input					
Rated control voltage	60 V UC ±10 %	120 V UC ±10 %	230 V UC ±10%	120 V AC ±10 %	230 V AC ±10 %
Rated current AC / DC	6.1 mA / 3,3 mA	4 mA / 3.5 mA	3.5 mA / 2.9 mA	7 mA /	10.1 mA /
Power rating	360 mW	0.48 VA, 420 mW	0.8 VA, 700 mW	0.84 VA	2.3 VA
Pull-in/drop-out voltage, typ.	37 V / 10 V AC 40 V / 10 V DC	79 V / 60 V AC 98 V / 62 V DC	159 V / 89 V AC 159 V / 89 V DC	79 V / 60 V AC	145 V / 85 V AC
Pull-in/drop-out current, typ.		4 mA / 2.5 mA AC	2.2 mA / 1.3 mA AC 1.7 mA / 0.7 mA DC	4 mA / 2.5 mA AC	9.13 mA / 4.78 mA AC
Status indicator	Green LED	Green LED	Green LED	Green LED	Green LED
Protective circuit	Rectifier	Rectifier	Rectifier	Rectifier	Rectifier
Output					
Switch-on delay	< 6 ms	< 8 ms	< 22 ms	< 5.3 ms	< 22 ms
Switch-off delay	< 6.5 ms	< 7 ms	< 30 ms	< 4 ms	< 30 ms

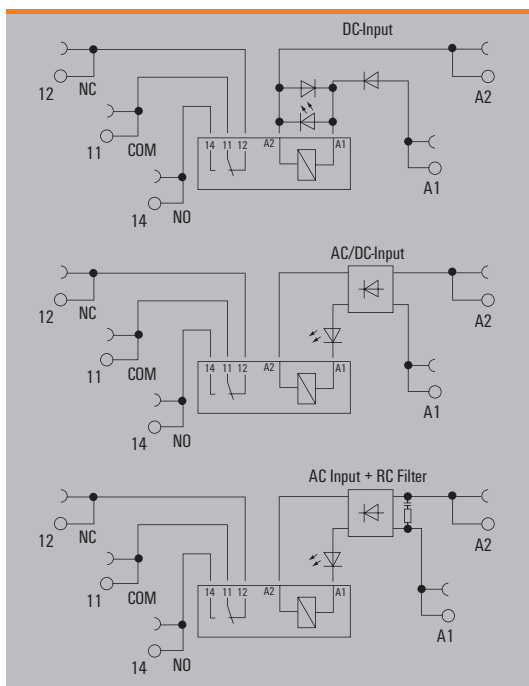
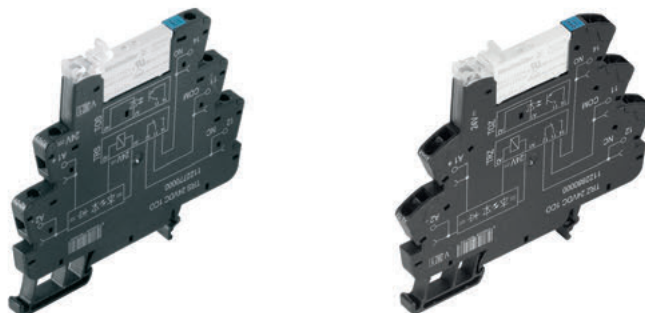
Ordering data

Screw connection	Type	TRS 60VUC 1CO	TRS 120VUC 1CO	TRS 230VUC 1CO	TRS 120VAC RC 1CO	TRS 230VAC RC 1CO
	Order No.	1122800000	1122810000	1122820000	1122830000	1122840000
Tension clamp conn.	Type	TRZ 60VUC 1CO	TRZ 120VUC 1CO	TRZ 230VUC 1CO	TRZ 120VAC RC 1CO	TRZ 230VAC RC 1CO
	Order No.	1122910000	1122920000	1122930000	1122940000	1122950000
Note		Spare relay Type: RSS113060 Orderno.: 4061630000	Spare relay Type: RSS113060 Orderno.: 4061630000	Spare relay Type: RSS113060 Orderno.: 4061630000	Spare relay Type: RSS113060 Orderno.: 4061630000	Spare relay Type: RSS113060 Orderno.: 4061630000

1 CO contact with hard gold-plated contacts

AC/DC/UC coil

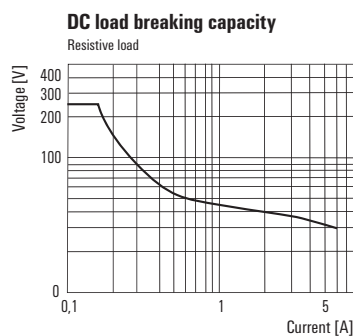
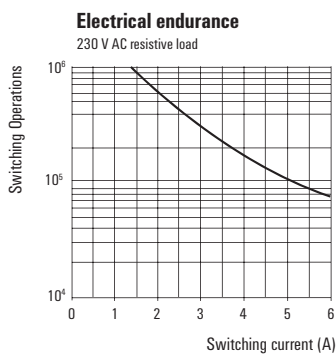
- Space saving, just 6.4 mm modular width
- AgNi contact with gold plating
- Screw and tension clamp connection



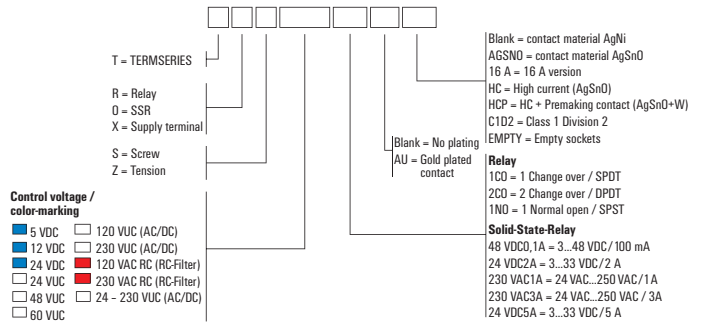
Technical data

Output			
Rated switching voltage / Continuous current	250 V AC / 6 A		
Max. switching voltage, AC	250 V		
Inrush current	20 A / 20 ms		
Min. switching power	1 V / 1 mA		
DC / AC Switching capacity (resistive), max.	144 W @ 24 V / 1500 VA		
Contact material	AgNi 5µm Au		
Mechanical service life	5 x 10 ⁶ switching cycles		
Max. switching frequency at rated load	0.1 Hz		
Rated data			
Ambient temperature (operational)	-40 °C...60 °C		
Storage temperature	-40 °C...85 °C		
Humidity	5-95% rel. humidity, T _v = 40°C, no condensation		
Approvals	CE, cULus, EAC, GL		
Insulation coordination (EN 50178)			
Rated voltage	300 V		
Impulse withstand voltage	6 kV (1.2/50 µs)		
Dielectric strength input - output	4 kV _{eff} / 1 min.		
Dielectric strength, contact / contact	4 kV _{eff} / 1 min.		
Dielectric strength to mounting rail	4 kV _{eff} / 1 min.		
Creepage and clearance distance input - output	≥ 5.5 mm		
Overvoltage category	III		
Pollution degree	2		
Dimensions			
Clamping range (nominal / min. / max.)	mm ²	Screw connection	Tension clamp connection
		1.5 / 0.14 / 2.5	1.5 / 0.14 / 2.5
Depth x width x height		88 / 6.4 / 90	88 / 6.4 / 90
Note			
Accessories and dimensional drawings: refer to the TERMSERIES Accessories page.			

Applications



1 CO contact with hard gold-plated contacts
AC/DC/UC coil



Ordering data	5 V DC	12 V DC	24 V DC	24 V UC	48 V UC
Input					
Rated control voltage	5 V DC ±20 %	12 V DC ±20 %	24 V DC ±20 %	24 V UC ±10 %	48 V UC ±10 %
Rated current AC / DC	/ 35.8 mA	/ 18 mA	/ 10 mA	11.7 mA / 6.4 mA	8 mA / 7 mA
Power rating	200 mW	210 mW	240 mW	270 mVA / 154 mW	240 mVA / 192 mW
Pull-in/drop-out voltage, typ.	3.3 V / 1 V DC	8 V / 2 V DC	16 V / 4 V DC	16.5 V / 5.5 V AC 16.5 V / 5.5 V DC	29 V / 10 V AC 29 V / 10 V DC
Pull-in/drop-out current, typ.	21.6 mA / 8 mA DC	9 mA / 3 mA DC	7 mA / 2 mA DC	4 mA / 1.2 mA AC 4 mA / 1.2 mA DC	4 mA / 1.2 mA AC 4 mA / 1.2 mA DC
Status indicator	Green LED	Green LED	Green LED	Green LED	Green LED
Protective circuit	Integrated free-wheel diode, Reverse polarity protection	Integrated free-wheel diode, Reverse polarity protection	Integrated free-wheel diode, Reverse polarity protection	Rectifier	Rectifier
Output					
Switch-on delay	< 8 ms	< 7 ms	< 6 ms	< 4 ms	< 8 ms
Switch-off delay	< 4 ms	< 8 ms	< 7 ms	< 1.2 ms	< 4 ms

Ordering data					
Screw connection Type	TRS 5VDC 1CO AU	TRS 12VDC 1CO AU	TRS 24VDC 1CO AU	TRS 24VUC 1CO AU	TRS 48VUC 1CO AU
Order No.	1122980000	1122990000	1123000000	1123010000	1123020000
Tension clamp conn. Type	TRZ 5VDC 1CO AU	TRZ 12VDC 1CO AU	TRZ 24VDC 1CO AU	TRZ 24VUC 1CO AU	TRZ 48VUC 1CO AU
Order No.	1123100000	1123110000	1123120000	1123130000	1123140000
Note	Spare relay Type: RSS112005 Orderno.: 1174540000	Spare relay Type: RSS112012 Orderno.: 1220670000	Spare relay Type: RSS112024 Orderno.: 4061590000	Spare relay Type: RSS112024 Orderno.: 4061590000	Spare relay Type: RSS112024 Orderno.: 4061590000

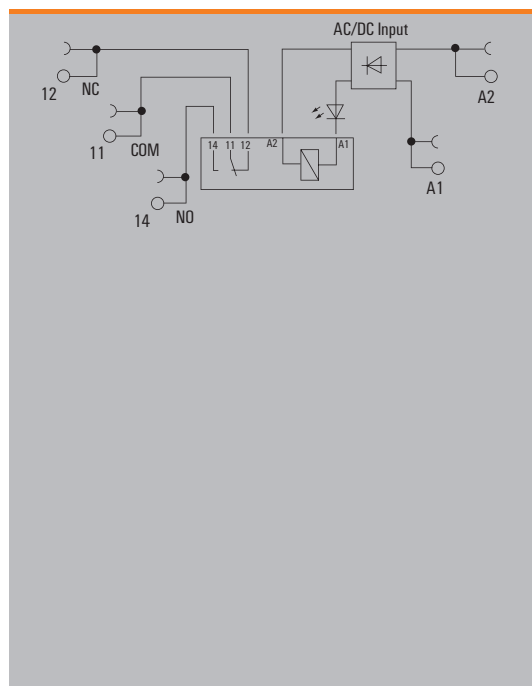
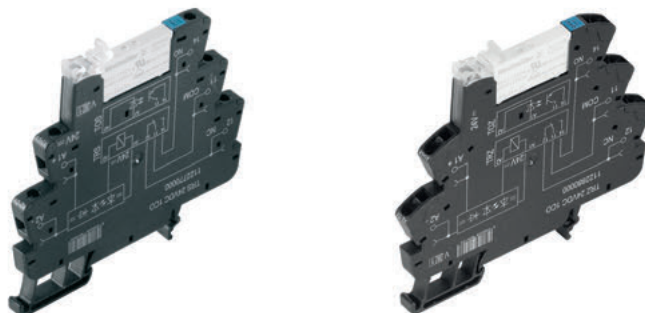
Ordering data	60 V UC	120 V UC	230 V UC	120 V AC RC	230 V AC RC
Input					
Rated control voltage	60 V UC ±10 %	120 V UC ±10 %	230 V UC ±10%	120 V AC ±10 %	230 V AC ±10 %
Rated current AC / DC	6.1 mA / 3,3 mA	4 mA / 3.5 mA	3.5 mA / 2.9 mA	7 mA /	10.1 mA /
Power rating	360 mW	0.48 VA, 420 mW	0.8 VA, 700 mW	0.84 VA	2.3 VA
Pull-in/drop-out voltage, typ.	37 V / 10 V AC 40 V / 10 V DC	79 V / 60 V AC 98 V / 62 V DC	159 V / 89 V AC 159 V / 89 V DC	79 V / 60 V AC	145 V / 85 V AC
Pull-in/drop-out current, typ.		4 mA / 2.5 mA AC	2.2 mA / 1.3 mA AC 1.7 mA / 0.7 mA DC	4 mA / 2.5 mA AC	9.13 mA / 4.78 mA AC
Status indicator	Green LED	Green LED	Green LED	Green LED	Green LED
Protective circuit	Rectifier	Rectifier	Rectifier	Rectifier	Rectifier
Output					
Switch-on delay	< 6 ms	< 8 ms	< 22 ms	< 5.3 ms	< 22 ms
Switch-off delay	< 6.5 ms	< 7 ms	< 30 ms	< 4 ms	< 30 ms

Ordering data					
Screw connection Type	TRS 60VUC 1CO AU	TRZ 120VUC 1CO AU	TRS 230VUC 1CO AU	TRS 120VAC RC 1CO AU	TRS 230VAC RC 1CO AU
Order No.	1123030000	1123170000	1123050000	1123070000	1123080000
Tension clamp conn. Type	TRZ 60VUC 1CO AU	TRS 120VUC 1CO AU	TRZ 230VUC 1CO AU	TRZ 120VAC RC 1CO AU	TRZ 230VAC RC 1CO AU
Order No.	1123150000	1123040000	1123180000	1123190000	1123200000
Note	Spare relay Type: RSS112060 Orderno.: 4061600000	Spare relay Type: RSS112060 Orderno.: 4061600000	Spare relay Type: RSS112060 Orderno.: 4061600000	Spare relay Type: RSS112060 Orderno.: 4061600000	Spare relay Type: RSS112060 Orderno.: 4061600000

1 CO contact

multi-voltage input

- Space saving, just 6.4 mm modular width
- AgNi contact
- Screw and tension clamp connection
- Multi-voltage input: 24 to 230 V UC in one module



Technical data

Output		
Rated switching voltage / Continuous current	250 V AC / 6 A	
Max. switching voltage, AC	250 V	
Inrush current	20 A / 20 ms	
Min. switching power	100 mA / 5 V, 12 V / 10 mA, 24 V / 1 mA	
DC / AC Switching capacity (resistive), max.	144 W @ 24 V / 1500 VA	
Contact material	AgNi	
Mechanical service life	5 x 10 ⁶ switching cycles	
Max. switching frequency at rated load	0.1 Hz	
Rated data		
Ambient temperature (operational)	-40 °C...60 °C	
Storage temperature	-40 °C...85 °C	
Humidity	5-95% rel. humidity, T _v = 40°C, no condensation	
Approvals	CE, cULus, EAC, GL	
Insulation coordination (EN 50178)		
Rated voltage	300 V	
Impulse withstand voltage	6 kV (1.2/50 µs)	
Dielectric strength input - output	4 kV _{eff} / 1 min.	
Dielectric strength, contact / contact		
Dielectric strength to mounting rail	4 kV _{eff} / 1 min.	
Creepage and clearance distance input - output	≥ 5.5 mm	
Overvoltage category	III	
Pollution degree	2	
Dimensions		
	Screw connection	Tension clamp connection
Clamping range (nominal / min. / max.)	mm ² 1.5 / 0.14 / 2.5	1.5 / 0.14 / 2.5
Depth x width x height	mm 88 / 6.4 / 90	88 / 6.4 / 90
Note		
Accessories and dimensional drawings: refer to the TERMSERIES Accessories page.		

Ordering data

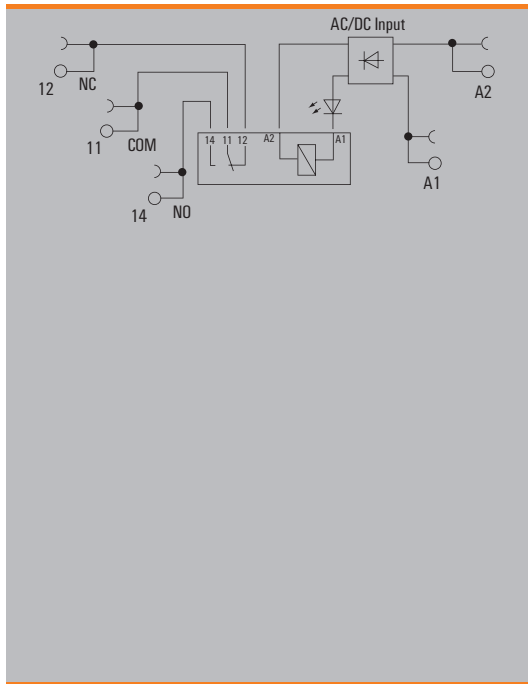
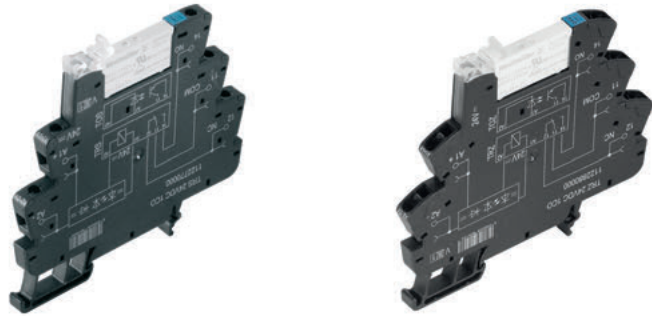
Input	
Rated control voltage	24...230 V UC ±10 %
Rated current AC / DC	4 mA @ 230 V AC ±10 %, 28 mA @ 24 V AC ±10 % / 22 mA @ 24 V DC ±10 %
Power rating	530 mW @ 24 V DC, 930 mVA @ 230 V AC
Pull-in/drop-out voltage, typ.	11.5 V / 6 V AC, 11.5 V / 5 V DC
Pull-in/drop-out current, typ.	
Status indicator	Green LED
Protective circuit	Rectifier
Output	
Switch-on delay	< 22 ms
Switch-off delay	< 100 ms

24 V - 230 V UC

Ordering data	
Screw connection	Type TRS 24-230VUC 1CO
Order No.	1122850000
Tension clamp conn.	Type TRZ 24-230VUC 1CO
Order No.	1122970000
Note	
Spare relay Type: RSS113024 Orderno.: 4060120000	

1 CO contact with hard gold-plated contacts
multi-voltage input

- Space saving, just 6.4 mm modular width
- AgNi contact with gold plating
- Screw and tension clamp connection
- Multi-voltage input: 24 to 230 V UC in one module



Technical data

Output		
Rated switching voltage / Continuous current	250 V AC / 6 A	
Max. switching voltage, AC	250 V	
Inrush current	20 A / 20 ms	
Min. switching power	1 V / 1 mA	
DC / AC Switching capacity (resistive), max.	144 W @ 24 V / 1500 VA	
Contact material	AgNi 5µm Au	
Mechanical service life	5 x 10 ⁶ switching cycles	
Max. switching frequency at rated load	0.1 Hz	
Rated data		
Ambient temperature (operational)	-40 °C...60 °C	
Storage temperature	-40 °C...85 °C	
Humidity	5-95% rel. humidity, T _v = 40°C, no condensation	
Approvals	CE, cULus, EAC, GL	
Insulation coordination (EN 50178)		
Rated voltage	300 V	
Impulse withstand voltage	6 kV (1.2/50 µs)	
Dielectric strength input - output	4 kV _{eff} / 1 min.	
Dielectric strength, contact / contact		
Dielectric strength to mounting rail	4 kV _{eff} / 1 min.	
Creepage and clearance distance input - output	≥ 5.5 mm	
Overvoltage category	III	
Pollution degree	2	
Dimensions		
	Screw connection	Tension clamp connection
Clamping range (nominal / min. / max.)	mm ² 1.5 / 0.14 / 2.5	1.5 / 0.14 / 2.5
Depth x width x height	mm 88 / 6.4 / 90	88 / 6.4 / 90
Note		
Accessories and dimensional drawings: refer to the TERMSERIES Accessories page.		

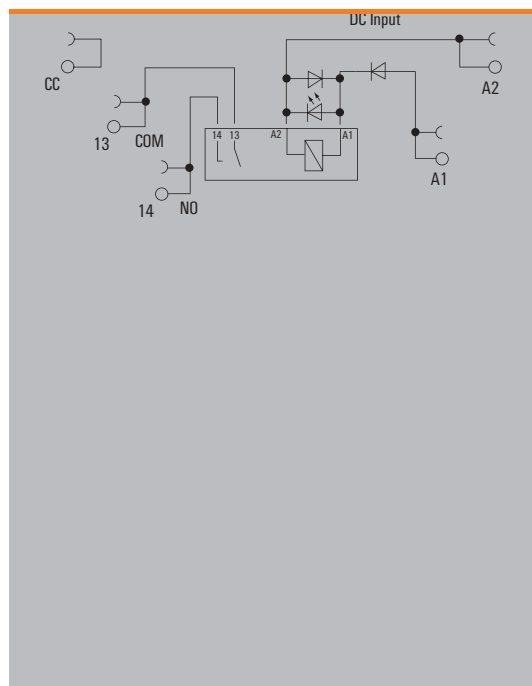
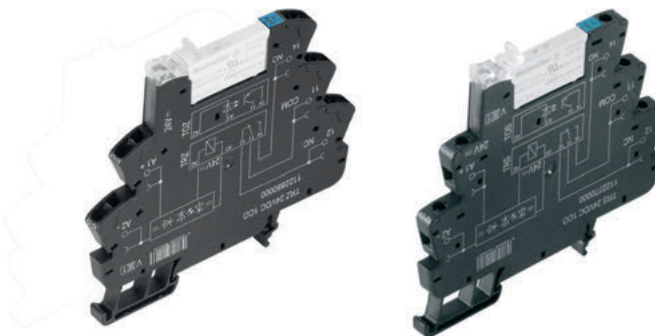
Ordering data

Input	
Rated control voltage	24...230 V UC ±10 %
Rated current AC / DC	4 mA @ 230 V AC ±10 %, 28 mA @ 24 V AC ±10 % / 22 mA @ 24 V DC ±10 %
Power rating	530 mW @ 24 V DC, 930 mVA @ 230 V AC
Pull-in/drop-out voltage, typ.	11.5 V / 6 V AC, 11.5 V / 5 V DC
Pull-in/drop-out current, typ.	
Status indicator	Green LED
Protective circuit	Rectifier
Output	
Switch-on delay	< 22 ms
Switch-off delay	< 100 ms

Ordering data	
Screw connection	Type TRS 24-230VUC 1CO AU
Order No.	1123090000
Tension clamp conn.	Type TRZ 24-230VUC 1CO AU
Order No.	1123210000
Note	
Spare relay Type: RSS112024 Orderno.: 4061590000	

1 NO contact (actuator)

- Space-saving, only 6.4 mm wide
- AgNi contact
- Screw and tension clamp connection
- 24 V DC actuator version:
Bridgeable, potential-free connection in the output (CC)



Technical data

Output		
Rated switching voltage / Continuous current	250 V AC / 6 A	
Max. switching voltage, AC	250 V	
Inrush current	20 A / 20 ms	
Min. switching power	100 mA / 5 V, 12 V / 10 mA, 24 V / 1 mA	
DC / AC Switching capacity (resistive), max.	144 W @ 24 V / 1500 VA	
Contact material	AgNi	
Mechanical service life	5 x 10 ⁶ switching cycles	
Max. switching frequency at rated load	0.1 Hz	
Rated data		
Ambient temperature (operational)	-40 °C...60 °C	
Storage temperature	-40 °C...85 °C	
Humidity	5-95% rel. humidity, T _v = 40°C, no condensation	
Approvals	CE, EAC	
Insulation coordination (EN 50178)		
Rated voltage	300 V	
Impulse withstand voltage	6 kV (1.2/50 µs)	
Dielectric strength input - output	4 kV _{eff} / 1 min.	
Dielectric strength, contact / contact		
Dielectric strength to mounting rail	4 kV _{eff} / 1 min.	
Creepage and clearance distance input - output	≥ 5.5 mm	
Overtoltage category	III	
Pollution degree	2	
Dimensions		
	Screw connection	Tension clamp connection
Clamping range (nominal / min. / max.)	mm ² 1.5 / 0.14 / 1.5	1.5 / 0.14 / 1.5
Depth x width x height	mm 88 / 6.4 / 90	88 / 6.4 / 90
Note		
Accessories and dimensional drawings: refer to the TERMSERIES Accessories page.		

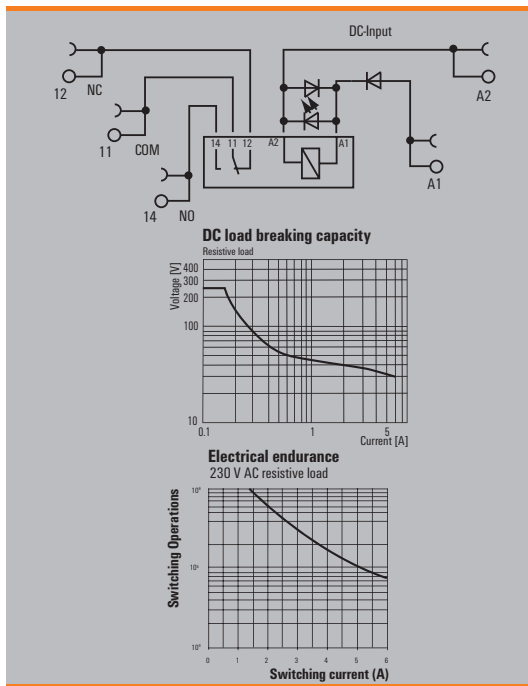
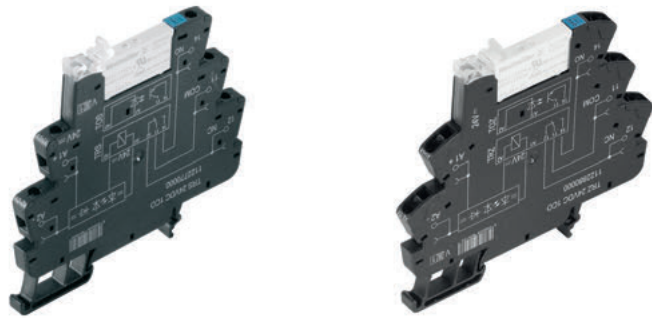
Ordering data

Input		24 V DC ACT
Rated control voltage		24 V DC ±20 %
Rated current AC / DC		/ 10 mA
Power rating		240 mW
Pull-in/drop-out voltage, typ.		16 V / 4 V DC
Pull-in/drop-out current, typ.		7 mA / 2 mA DC
Status indicator		Green LED
Protective circuit		Integrated free-wheel diode, Reverse polarity protection
Output		
Switch-on delay		< 6 ms
Switch-off delay		< 7 ms

Ordering data		
Screw connection	Type	TRS 24VDC ACT
	Order No.	1381900000
Tension clamp conn.	Type	TRZ 24VDC ACT
	Order No.	1391670000
Note		

1 CO contact (AgSnO)

- Space-saving, only 6.4 mm wide
- AgSnO contact
- For capacitive and inductive loads
- Screw and tension clamp connection



Technical data

Output			
Rated switching voltage / Continuous current	250 V AC / 6 A		
Max. switching voltage, AC	250 V		
Inrush current	20 A / 20 ms		
Min. switching power	100 mA / 5 V, 12 V / 10 mA, 24 V / 1 mA		
DC / AC Switching capacity (resistive), max.	144 W @ 24 V / 1500 VA		
Contact material	AgSnO		
Mechanical service life	5 x 10 ⁶ switching cycles		
Max. switching frequency at rated load	0.1 Hz		
Rated data			
Ambient temperature (operational)	-40 °C...60 °C		
Storage temperature	-40 °C...85 °C		
Humidity	5-95% rel. humidity, T _v = 40°C, no condensation		
Approvals	CE		
Insulation coordination (EN 50178)			
Rated voltage	300 V		
Impulse withstand voltage	6 kV (1.2/50 µs)		
Dielectric strength input - output	4 kV _{eff} / 1 min.		
Dielectric strength, contact / contact	4 kV _{eff} / 1 min.		
Dielectric strength to mounting rail	4 kV _{eff} / 1 min.		
Creepage and clearance distance input - output	≥ 5.5 mm		
Overtoltage category	III		
Pollution degree	2		
Dimensions			
Clamping range (nominal / min. / max.)	mm ²	Screw connection	Tension clamp connection
		1.5 / 0.14 / 2.5	1.5 / 0.14 / 2.5
Depth x width x height	mm	88 / 6.4 / 90	88 / 6.4 / 90
Note			

Ordering data

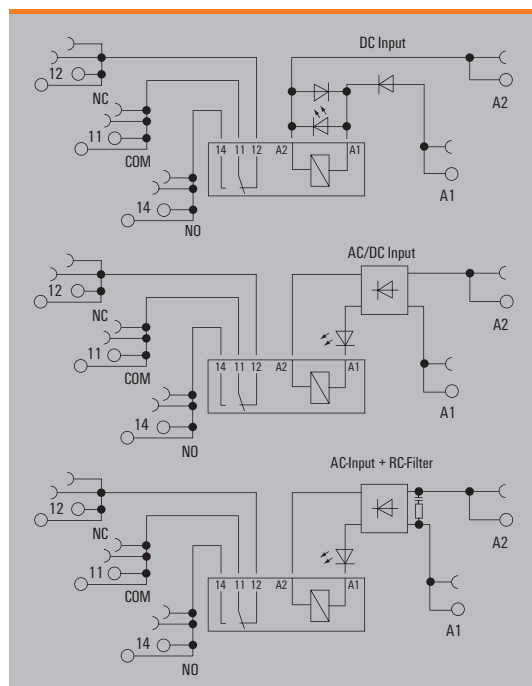
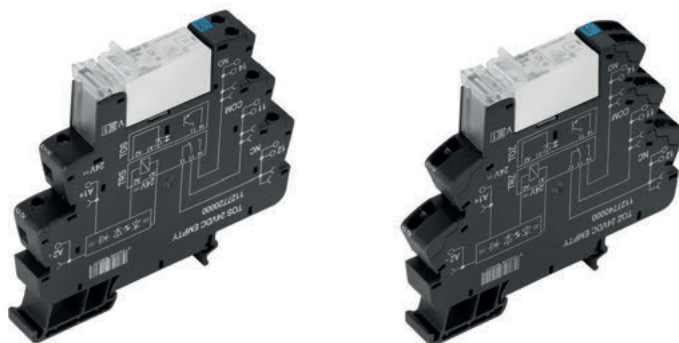
Input	
Rated control voltage	24 V DC ±20 %
Rated current AC / DC	/ 10 mA
Power rating	240 mW
Pull-in/drop-out voltage, typ.	16 V / 4 V DC
Pull-in/drop-out current, typ.	7 mA / 2 mA DC
Status indicator	Green LED
Protective circuit	Integrated free-wheel diode, Reverse polarity protection
Output	
Switch-on delay	< 6 ms
Switch-off delay	< 7 ms

Ordering data	
Screw connection	Type TRS 24VDC 1CO AGSNO
Order No.	1984540000
Tension clamp conn.	Type TRZ 24VDC 1CO AGSNO
Order No.	1984550000
Note	

1 CO contact

AC / DC / UC coil

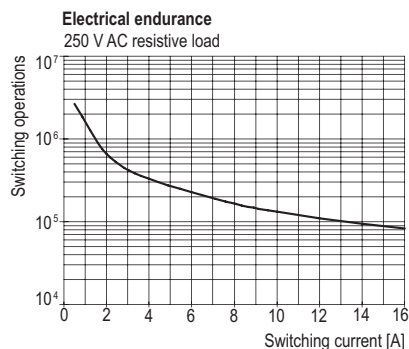
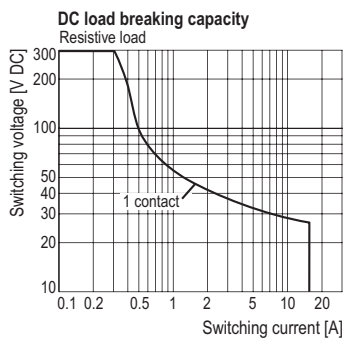
- Space-saving, 12.8 mm wide
- 16 A AgNi contact
- Internal cross-connection of the output terminals
- Screw and tension clamp connection



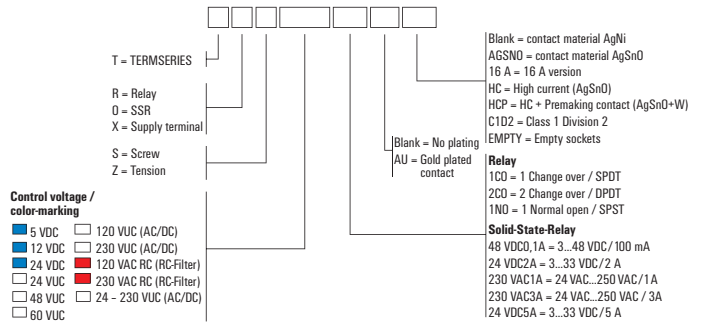
Technical data

Output			
Rated switching voltage / Continuous current	250 V AC / 16 A		
Max. switching voltage, AC	250 V		
Inrush current	30 A / 4 s		
Min. switching power	100 mA / 5 V, 10 V / 10 mA		
DC / AC Switching capacity (resistive), max.	384 W @ 24 V / 4000 VA		
Contact material	AgNi		
Mechanical service life	30 x 10 ⁶ switching cycles		
Max. switching frequency at rated load	0.1 Hz		
Rated data			
Ambient temperature (operational)	-40 °C...60 °C		
Storage temperature	-40 °C...85 °C		
Humidity	5-95% rel. humidity, T _v = 40°C, no condensation		
Approvals	CE		
Insulation coordination (EN 50178)			
Rated voltage	300 V		
Impulse withstand voltage	6 kV (1.2/50 µs)		
Dielectric strength input - output	1.2 kV _{eff} / 5 s		
Dielectric strength, contact / contact			
Dielectric strength to mounting rail	4 kV _{eff} / 1 min.		
Creepage and clearance distance input - output	≥ 5.5 mm		
Overtoltage category	III		
Pollution degree	2		
Dimensions			
Clamping range (nominal / min. / max.)	mm ²	Screw connection	Tension clamp connection
		1.5 / 0.14 / 2.5	1.5 / 0.14 / 2.5
Depth x width x height	mm	88 / 12.8 / 90	88 / 12.8 / 90
Note			

Applications



1 CO contact
AC / DC / UC coil



Ordering data

	5 V DC	12 V DC	24 V DC	24 V UC	48 V UC
Input					
Rated control voltage	5 V DC ±20 %	12 V DC ±20 %	24 V DC ±20 %	24 V UC ±10 %	48 V UC ±10 %
Rated current AC / DC	/ 80 mA	/ 33.3 mA	/ 20 mA	16 mA / 14 mA	9 mA / 7 mA
Power rating	400 mW	420 mW	480 mW	390 mVA / 350 mW	340 mW / 0.4 VA
Pull-in/drop-out voltage, typ.	3 V / 1.6 V DC	8 V / 3 V DC	18 V / 3.5 V DC	16 V / 9 V AC 18 V / 8 V DC	29 V / 11 V AC 33 V / 11 V DC
Pull-in/drop-out current, typ.	21.6 mA / 8 mA DC	21 mA / 5 mA DC	10 mA / 3 mA DC	11 mA / 4 mA AC 10 mA / 2 mA DC	6 mA / 3 mA AC 5 mA / 1.5 mA DC
Status indicator	Green LED	Green LED	Green LED	Green LED	Green LED
Protective circuit	Integrated free-wheel diode, Reverse polarity protection	Integrated free-wheel diode, Reverse polarity protection	Integrated free-wheel diode, Reverse polarity protection	Rectifier	Rectifier
Output					
Switch-on delay	< 11 ms	< 11 ms	< 11 ms	< 11 ms	< 11 ms
Switch-off delay	< 7 ms	< 8 ms	< 10 ms	< 7 ms	< 7 ms

Ordering data

Screw connection	Type	TRS 5VDC 1CO 16A	TRS 12VDC 1CO 16A	TRS 24VDC 1CO 16A	TRS 24VUC 1CO 16A	TRS 48VUC 1CO 16A
Order No.		1479650000	1479670000	1479680000	1479690000	1479700000
Tension clamp conn.	Type	TRZ 5VDC 1CO 16A	TRZ 12VDC 1CO 16A	TRZ 24VDC 1CO 16A	TRZ 24VUC 1CO 16A	TRZ 48VUC 1CO 16A
Order No.		1479800000	1479820000	1479840000	1479850000	1479870000
Note						

Ordering data

	60 V UC	120 V UC	230 V UC	120 V AC RC	230 V AC RC
Input					
Rated control voltage	60 V UC ±10 %	120 V UC ±10 %	230 V UC ±5 %	120 V AC ±10 %	230 V AC ±5 %
Rated current AC / DC	8 mA / 6.1 mA	3.5 mA / 3.5 mA	4 mA / 4 mA	5.5 mA /	10 mA /
Power rating	480 mVA / 360 mW	420 mVA / 420 mW	920 mVA / 920 mW	0.73 VA	2.3 VA
Pull-in/drop-out voltage, typ.	36 V / 13 V AC 40 V / 14 V DC	64 V / 26 V AC 69 V / 22 V DC	112 V / 43 V AC 129 V / 36 V DC	65 V / 23 V AC	112 V / 45 V AC
Pull-in/drop-out current, typ.	5 mA / 2.5 mA AC 4 mA / 1.2 mA DC	2 mA / 1 mA AC 2 mA / 1 mA DC	2 mA / 1 mA AC 2 mA / 1 mA DC	3.5 mA / 1 mA AC	5 mA / 2 mA AC
Status indicator	Green LED	Green LED	Green LED	Green LED	Green LED
Protective circuit	Rectifier	Rectifier	Rectifier	Rectifier	Rectifier
Output					
Switch-on delay	< 11 ms	< 11 ms	< 14 ms	< 11 ms	< 14 ms
Switch-off delay	< 7 ms	< 7 ms	< 22 ms	< 7 ms	< 12 ms

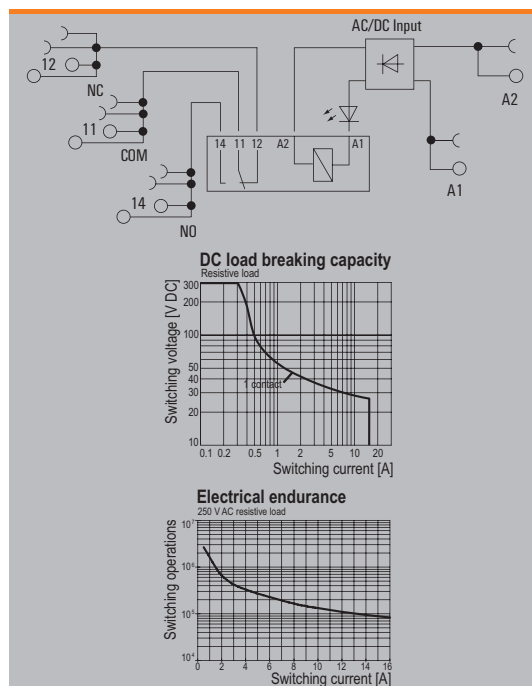
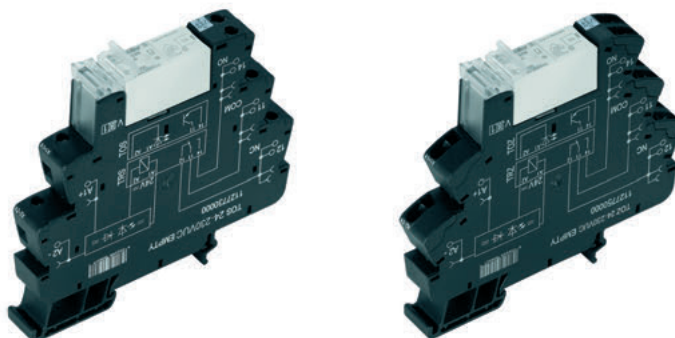
Ordering data

Screw connection	Type	TRS 60VUC 1CO 16A	TRS 120VUC 1CO 16A	TRS 230VUC 1CO 16A	TRS 120VAC RC 1CO 16A	TRS 230VAC RC 1CO 16A
Order No.		1479710000	1479730000	1479740000	1479750000	1479760000
Tension clamp conn.	Type	TRZ 60VUC 1CO 16A	TRZ 120VUC 1CO 16A	TRZ 230VUC 1CO 16A	TRZ 120VAC RC 1CO 16A	TRZ 230VAC RC 1CO 16A
Order No.		1479880000	1479890000	1479900000	1479910000	1479920000
Note						

1 CO contact

Variable-voltage input

- Space-saving, 12.8 mm wide
- 16 A AgNi contact
- Internal cross-connection of the output terminals
- Screw and tension clamp connection
- Multi-voltage input: 24...230 V UC in one module



Technical data

Output		
Rated switching voltage / Continuous current	250 V AC / 16 A	
Max. switching voltage, AC	250 V	
Inrush current	30 A / 4 s	
Min. switching power	100 mA / 5 V, 10 V / 10 mA	
DC / AC Switching capacity (resistive), max.	384 W @ 24 V / 4000 VA	
Contact material	AgNi	
Mechanical service life	30 x 10 ⁶ switching cycles	
Max. switching frequency at rated load	0.1 Hz	
Rated data		
Ambient temperature (operational)	-40 °C...60 °C	
Storage temperature	-40 °C...85 °C	
Humidity	5-95% rel. humidity, T _v = 40°C, no condensation	
Approvals		
Insulation coordination (EN 50178)		
Rated voltage	300 V	
Impulse withstand voltage	6 kV (1.2/50 µs)	
Dielectric strength input - output	1.2 kV _{eff} / 5 s	
Dielectric strength, contact / contact		
Dielectric strength to mounting rail	4 kV _{eff} / 1 min.	
Creepage and clearance distance input - output	≥ 5.5 mm	
Overvoltage category	III	
Pollution degree	2	
Dimensions		
	Screw connection	Tension clamp connection
Clamping range (nominal / min. / max.)	mm ² 1.5 / 0.14 / 2.5	1.5 / 0.14 / 2.5
Depth x width x height	mm 88 / 12.8 / 90	88 / 12.8 / 90
Note		

Ordering data

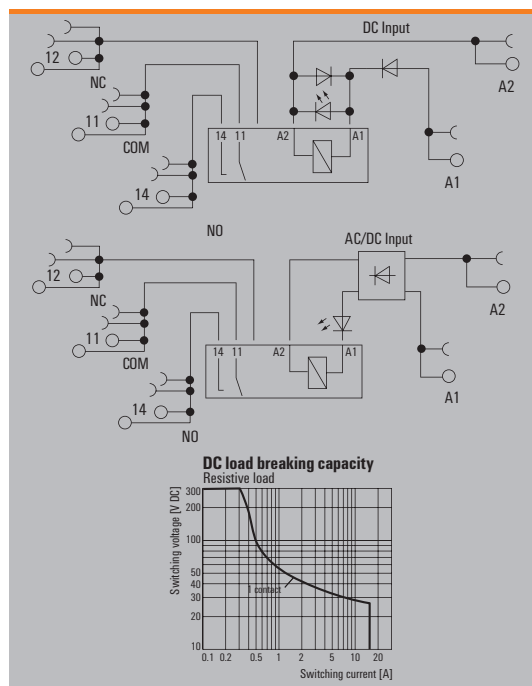
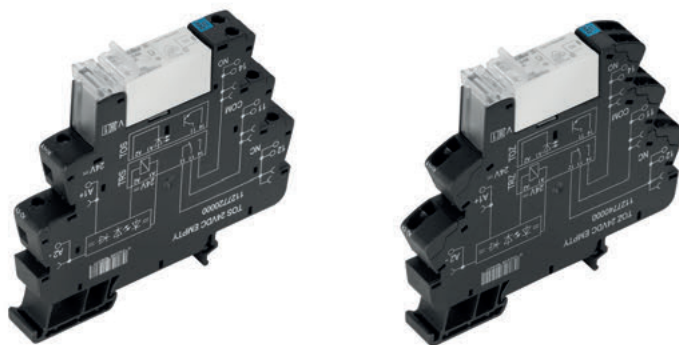
Input	
Rated control voltage	24...230 V UC ±10 %
Rated current AC / DC	6 mA @ 230 V UC / 45 mA @ 24 V UC
Power rating	1.08 W @ 24 V UC, 1.38 W @ 230 V UC
Pull-in/drop-out voltage, typ.	16 V / 6 V AC 16 V / 5 V DC
Pull-in/drop-out current, typ.	
Status indicator	Green LED
Protective circuit	Rectifier
Output	
Switch-on delay	< 22 ms
Switch-off delay	< 125 ms

Ordering data	
Screw connection	Type TRS 24-230VUC 1CO 16A
Order No.	1479770000
Tension clamp conn.	Type TRZ 24-230VUC 1CO 16A
Order No.	1479930000
Note	

TERMSERIES relay modules

1 NO contact, inrush power HC

- Space-saving, 12.8 mm wide
- 16 A AgSnO contact
- Internal cross-connection of the output terminals
- Especially for inductive loads
- Screw and tension clamp connection
- Multi-voltage input: 24...230 V UC in one module



Technical data

Output		
Rated switching voltage / Continuous current	250 V AC / 16 A	
Max. switching voltage, AC	250 V	
Inrush current		
Min. switching power	1 W	
DC / AC Switching capacity (resistive), max.	384 W @ 24 V / 4000 VA	
Contact material	AgSnO	
Mechanical service life	10 x 10 ⁶ switching cycles	
Max. switching frequency at rated load	0.1 Hz	
Rated data		
Ambient temperature (operational)	-40 °C...60 °C	
Storage temperature	-40 °C...85 °C	
Humidity	5-95% rel. humidity, T _v = 40°C, no condensation	
Approvals		
Insulation coordination (EN 50178)		
Rated voltage	300 V	
Impulse withstand voltage	6 kV (1.2/50 µs)	
Dielectric strength input - output	1.2 kV _{eff} / 5 s	
Dielectric strength, contact / contact		
Dielectric strength to mounting rail	4 kV _{eff} / 1 min.	
Creepage and clearance distance input - output	≥ 5.5 mm	
Overtoltage category	III	
Pollution degree	2	
Dimensions		
	Screw connection	Tension clamp connection
Clamping range (nominal / min. / max.)	mm ² 1.5 / 0.14 / 2.5	1.5 / 0.14 / 2.5
Depth x width x height	mm 88 / 12.8 / 90	88 / 12.8 / 90
Note		

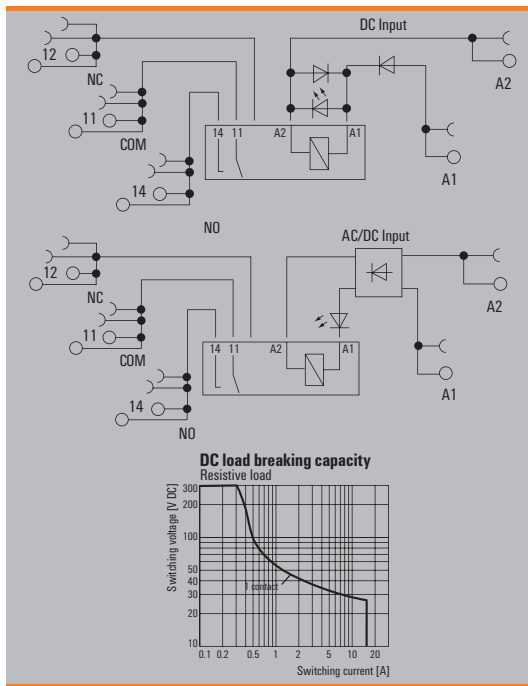
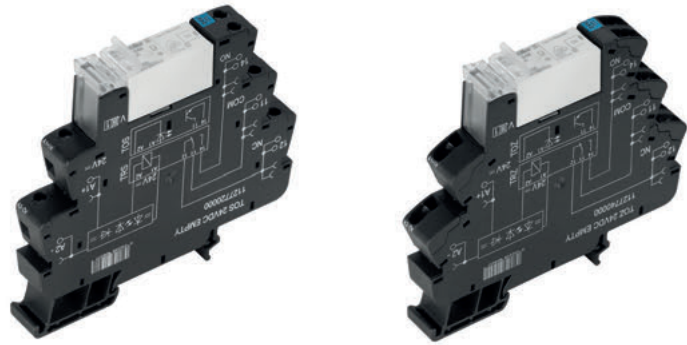
Ordering data

	24 V DC	24 - 230 V UC
Input		
Rated control voltage	24 V DC ±20 %	24...230 V UC ±10 %
Rated current AC / DC	/ 20 mA	6 mA @ 230 V UC / 45 mA @ 24 VUC
Power rating	480 mW	1.08 W @ 24 V UC, 1.38 W @ 230 V UC
Pull-in/drop-out voltage, typ.	18 V / 3.5 V DC	16 V / 6 V AC 16 V / 5 V DC
Pull-in/drop-out current, typ.		
Status indicator	Green LED	Green LED
Protective circuit	Integrated free-wheel diode, Reverse polarity protection	Rectifier
Output		
Switch-on delay	≤ 10 ms	< 22 ms
Switch-off delay	< 10 ms	< 125 ms

Ordering data			
Screw connection	Type	TRS 24VDC 1NO HC	TRS 24-230VUC 1NO HC
	Order No.	1479780000	1479790000
Tension clamp conn.	Type	TRZ 24VDC 1NO HC	TRZ 24-230VUC 1NO HC
	Order No.	1479940000	1479950000
Note			

1 NO contact, inrush power HCP

- Space-saving, only 12.8 mm wide
- 16 A AgSnO contact + leading tungsten contact
- Internal cross-connection of the output terminals
- Especially for capacitive loads
- Screw and tension clamp connection
- Multi-voltage input: 24–230 V UC in one module



Technical data

Output			
Rated switching voltage / Continuous current	250 V AC / 16 A		
Max. switching voltage, AC	250 V		
Inrush current	165 A / 20 ms, 800 A / 200 µs		
Min. switching power	1 W		
DC / AC Switching capacity (resistive), max.	384 W @ 24 V / 4000 VA		
Contact material	AgSnO ₂ + W		
Mechanical service life	5 x 10 ⁶ switching cycles		
Max. switching frequency at rated load	0.1 Hz		
Rated data			
Ambient temperature (operational)	-40 °C...60 °C		
Storage temperature	-40 °C...85 °C		
Humidity	5-95% rel. humidity, T _v = 40°C, no condensation		
Approvals			
Insulation coordination (EN 50178)			
Rated voltage	300 V		
Impulse withstand voltage	6 kV (1.2/50 µs)		
Dielectric strength input - output	1.2 kV _{eff} / 5 s		
Dielectric strength, contact / contact			
Dielectric strength to mounting rail	4 kV _{eff} / 1 min.		
Creepage and clearance distance input - output	≥ 5.5 mm		
Overtoltage category	III		
Pollution degree	2		
Dimensions			
Clamping range (nominal / min. / max.)	mm ²	Screw connection	Tension clamp connection
		1.5 / 0.14 / 2.5	1.5 / 0.14 / 2.5
Depth x width x height	mm	88 / 12.8 / 90	88 / 12.8 / 90
Note			

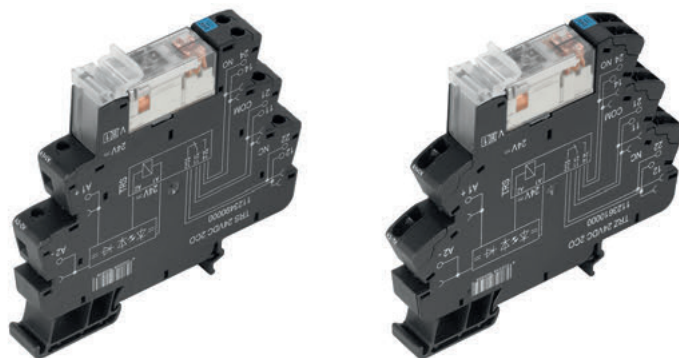
Ordering data

	24 V DC	24 V - 230 V UC
Input		
Rated control voltage	24 V DC ±20 %	24...230 V UC ±10 %
Rated current AC / DC	/ 20 mA	6 mA @ 230 V UC / 45 mA @ 24 VUC
Power rating	480 mW	1.08 W @ 24 V UC, 1.38 W @ 230 V UC
Pull-in/drop-out voltage, typ.	18 V / 3.5 V DC	16 V / 6 V AC 16 V / 5 V DC
Pull-in/drop-out current, typ.		
Status indicator	Green LED	Green LED
Protective circuit	Integrated free-wheel diode, Reverse polarity protection	Rectifier
Output		
Switch-on delay	≤ 10 ms	< 22 ms
Switch-off delay	< 10 ms	< 125 ms

Ordering data			
Screw connection	Type	TRS 24VDC 1NO HCP	TRS 24-230VUC 1NO HCP
	Order No.	1479810000	1479830000
Tension clamp conn.	Type	TRZ 24VDC 1NO HCP	TRZ 24-230VUC 1NO HCP
	Order No.	1479970000	1479980000
Note			

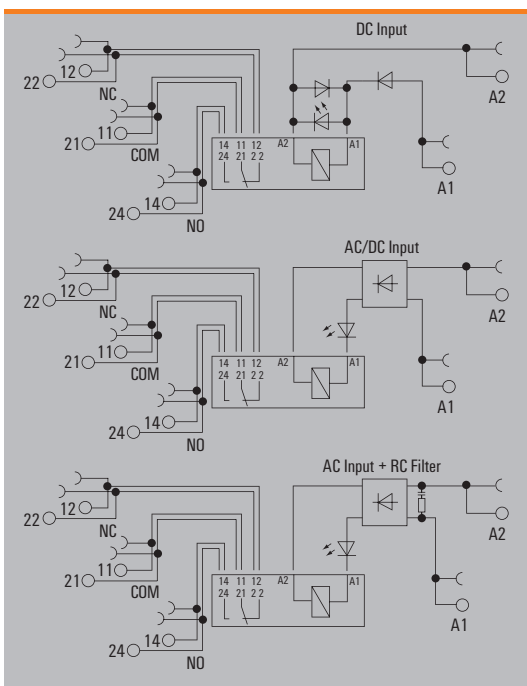
2 CO contacts
AC/DC/UC coil

- Space saving, just 12.8 mm modular width
- AgNi contact
- Screw and tension clamp connection



Relay modules and solid-state relays
6 mm width

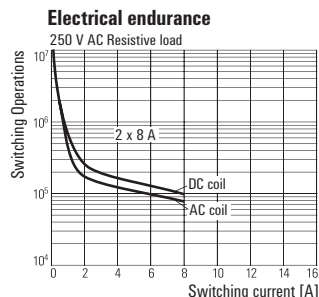
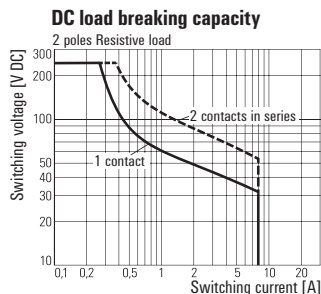
A



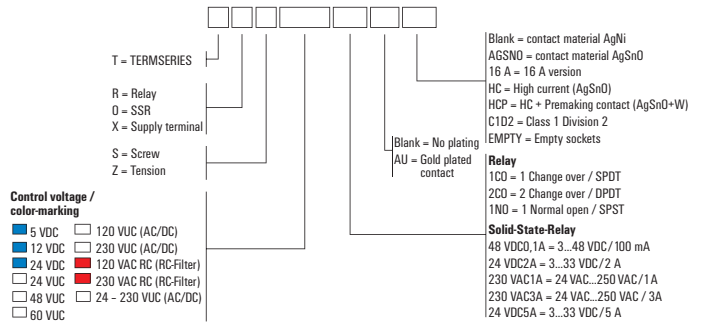
Technical data

Output			
Rated switching voltage / Continuous current	250 V AC / 8 A		
Max. switching voltage, AC	250 V		
Inrush current	15 A / 4 s		
Min. switching power	100 mA / 5 V, 10 V / 10 mA		
DC / AC Switching capacity (resistive), max.	192 W @ 24 V / 2000 VA		
Contact material	AgNi		
Mechanical service life	30 x 10 ⁶ switching cycles		
Max. switching frequency at rated load	0.1 Hz		
Rated data			
Ambient temperature (operational)	-40 °C...60 °C		
Storage temperature	-40 °C...85 °C		
Humidity	5-95% rel. humidity, T _v = 40°C, no condensation		
Approvals	CE, cULus, EAC, GL		
Insulation coordination (EN 50178)			
Rated voltage	300 V		
Impulse withstand voltage	6 kV (1.2/50 µs)		
Dielectric strength input - output	1.2 kV _{eff} / 5 s		
Dielectric strength, contact / contact			
Dielectric strength to mounting rail	4 kV _{eff} / 1 min.		
Creepage and clearance distance input - output	≥ 5.5 mm		
Overtoltage category	III		
Pollution degree	2		
Dimensions			
Clamping range (nominal / min. / max.)	mm ²	Screw connection	Tension clamp connection
		1.5 / 0.14 / 2.5	1.5 / 0.14 / 2.5
Depth x width x height	mm	88 / 12.8 / 90	88 / 12.8 / 90
Note			
Accessories and dimensional drawings: refer to the TERMSERIES Accessories page.			

Applications



2 CO contacts
AC/DC/UC coil



Ordering data

	5 V DC	12 V DC	24 V DC	24 V UC	48 V UC
Input					
Rated control voltage	5 V DC ±20 %	12 V DC ±20 %	24 V DC ±20 %	24 V UC ±10 %	48 V UC ±10 %
Rated current AC / DC	/ 80 mA	/ 33.3 mA	/ 20 mA	16 mA / 14 mA	9 mA / 7 mA
Power rating	400 mW	420 mW	480 mW	390 mVA / 350 mW	340 mW / 0.4 VA
Pull-in/drop-out voltage, typ.	3 V / 1.6 V DC	8 V / 3 V DC	18 V / 3.5 V DC	16 V / 9 V AC 18 V / 8 V DC	29 V / 11 V AC 33 V / 11 V DC
Pull-in/drop-out current, typ.	21.6 mA / 8 mA DC	21 mA / 5 mA DC	10 mA / 3 mA DC	11 mA / 4 mA AC 10 mA / 2 mA DC	6 mA / 3 mA AC 5 mA / 1.5 mA DC
Status indicator	Green LED	Green LED	Green LED	Green LED	Green LED
Protective circuit	Integrated free-wheel diode, Reverse polarity protection	Integrated free-wheel diode, Reverse polarity protection	Integrated free-wheel diode, Reverse polarity protection	Rectifier	Rectifier
Output					
Switch-on delay	< 11 ms	< 11 ms	< 11 ms	< 11 ms	< 11 ms
Switch-off delay	< 7 ms	< 8 ms	< 10 ms	< 7 ms	< 7 ms

Ordering data	5 V DC	12 V DC	24 V DC	24 V UC	48 V UC
Screw connection Type	TRS 5VDC 2CO	TRS 12VDC 2CO	TRS 24VDC 2CO	TRS 24VUC 2CO	TRS 48VUC 2CO
Order No.	1123470000	1123480000	1123490000	1123500000	1123510000
Tension clamp conn. Type	TRZ 5VDC 2CO	TRZ 12VDC 2CO	TRZ 24VDC 2CO	TRZ 24VUC 2CO	TRZ 48VUC 2CO
Order No.	1123590000	1123600000	1123610000	1123620000	1123630000
Note	Spare relay Type: RCL424005 Orderno.: 8693790000	Spare relay Type: RCL424012 Orderno.: 4058560000	Spare relay Type: RCL424024 Orderno.: 4058570000	Spare relay Type: RCL424024 Orderno.: 4058570000	Spare relay Type: RCL424048 Orderno.: 4058750000

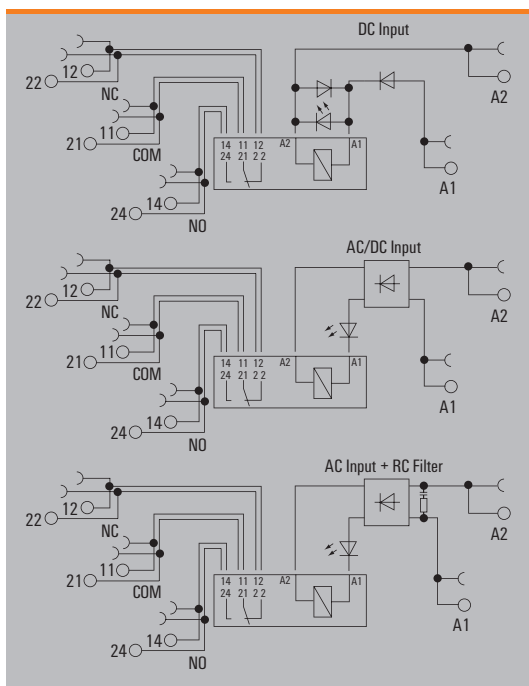
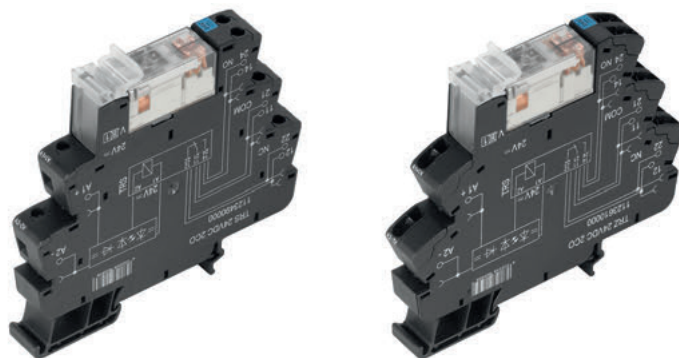
Ordering data

	60 V UC	120 V UC	230 V UC	120 V AC RC	230 V AC RC
Input					
Rated control voltage	60 V UC ±10 %	120 V UC ±10 %	230 V UC ±5 %	120 V AC ±10 %	230 V AC ±5 %
Rated current AC / DC	8 mA / 6.1 mA	3.5 mA / 3.5 mA	4 mA / 4 mA	5.5 mA /	10 mA /
Power rating	480 mVA / 360 mW	420 mVA / 420 mW	920 mVA / 920 mW	0.73 VA	2.3 VA
Pull-in/drop-out voltage, typ.	36 V / 13 V AC 40 V / 14 V DC	64 V / 26 V AC 69 V / 22 V DC	112 V / 43 V AC 129 V / 36 V DC	65 V / 23 V AC	112 V / 45 V AC
Pull-in/drop-out current, typ.	5 mA / 2.5 mA AC 4 mA / 1.2 mA DC	2 mA / 1 mA AC 2 mA / 1 mA DC	2 mA / 1 mA AC 2 mA / 1 mA DC	3.5 mA / 1 mA AC	5 mA / 2 mA AC
Status indicator	Green LED	Green LED	Green LED	Green LED	Green LED
Protective circuit	Rectifier	Rectifier	Rectifier	Rectifier	Rectifier
Output					
Switch-on delay	< 11 ms	< 11 ms	< 14 ms	< 11 ms	< 14 ms
Switch-off delay	< 7 ms	< 7 ms	< 22 ms	< 7 ms	< 12 ms

Ordering data	60 V UC	120 V UC	230 V UC	120 V AC RC	230 V AC RC
Screw connection Type	TRS 60VUC 2CO	TRS 120VUC 2CO	TRS 230VUC 2CO	TRS 120VAC RC 2CO	TRS 230VAC RC 2CO
Order No.	1123520000	1123530000	1123540000	1123550000	1123570000
Tension clamp conn. Type	TRZ 60VUC 2CO	TRZ 120VUC 2CO	TRZ 230VUC 2CO	TRZ 120VAC RC 2CO	TRZ 230VAC RC 2CO
Order No.	1123640000	1123650000	1123670000	1123680000	1123690000
Note	Spare relay Type: RCL424060 Orderno.: 4058760000	Spare relay Type: RCL424110 Orderno.: 4058590000	Spare relay Type: RCL424110 Orderno.: 4058590000	Spare relay Type: RCL424110 Orderno.: 4058590000	Spare relay Type: RCL424110 Orderno.: 4058590000

2 CO contact with hard gold-plated contacts
AC/DC/UC coil

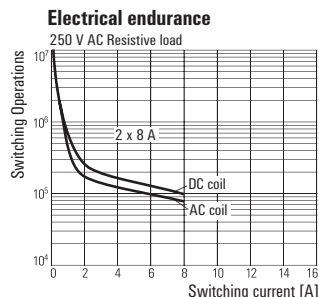
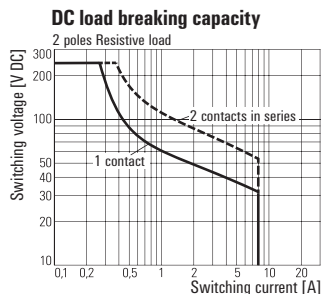
- Space saving, just 12.8 mm modular width
- AgNi contact with gold plating
- Screw and tension clamp connection



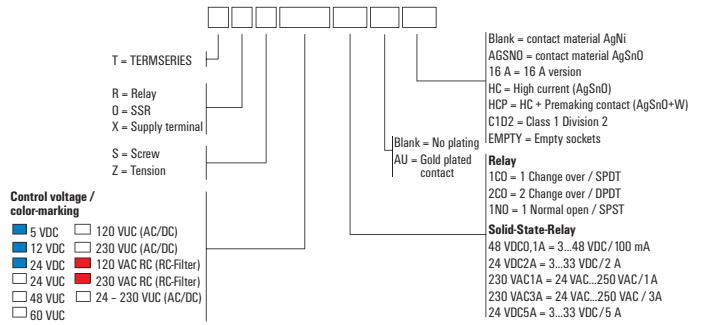
Technical data

Output			
Rated switching voltage / Continuous current	250 V AC / 8 A		
Max. switching voltage, AC	250 V		
Inrush current	15 A / 4 s		
Min. switching power	1 V / 1 mA		
DC / AC Switching capacity (resistive), max.	192 W @ 24 V / 2000 VA		
Contact material	AgNi 5µm Au		
Mechanical service life	30 x 10 ⁶ switching cycles		
Max. switching frequency at rated load	0.1 Hz		
Rated data			
Ambient temperature (operational)	-40 °C...60 °C		
Storage temperature	-40 °C...85 °C		
Humidity	5-95% rel. humidity, T _v = 40°C, no condensation		
Approvals	CE, cULus, EAC, GL		
Insulation coordination (EN 50178)			
Rated voltage	300 V		
Impulse withstand voltage	6 kV (1.2/50 µs)		
Dielectric strength input - output	1.2 kV _{eff} / 5 s		
Dielectric strength, contact / contact			
Dielectric strength to mounting rail	4 kV _{eff} / 1 min.		
Creepage and clearance distance input - output	≥ 5.5 mm		
Overvoltage category	III		
Pollution degree	2		
Dimensions			
Clamping range (nominal / min. / max.)	mm ²	Screw connection	Tension clamp connection
		1.5 / 0.14 / 2.5	1.5 / 0.14 / 2.5
Depth x width x height	mm	88 / 12.8 / 90	88 / 12.8 / 90
Note			
Accessories and dimensional drawings: refer to the TERMSERIES Accessories page.			

Applications



2 CO contact with hard gold-plated contacts
AC/DC/UC coil



Ordering data

	5 V DC	12 V DC	24 V DC	24 V UC	48 V UC
Input					
Rated control voltage	5 V DC ±20 %	12 V DC ±20 %	24 V DC ±20 %	24 V UC ±10 %	48 V UC ±10 %
Rated current AC / DC	/ 80 mA	/ 33.3 mA	/ 20 mA	16 mA / 14 mA	9 mA / 7 mA
Power rating	400 mW	420 mW	480 mW	390 mVA / 350 mW	340 mW / 0.4 VA
Pull-in/drop-out voltage, typ.	3 V / 1.6 V DC	8 V / 3 V DC	18 V / 3.5 V DC	16 V / 9 V AC 18 V / 8 V DC	29 V / 11 V AC 33 V / 11 V DC
Pull-in/drop-out current, typ.	21.6 mA / 8 mA DC	21 mA / 5 mA DC	10 mA / 3 mA DC	11 mA / 4 mA AC 10 mA / 2 mA DC	6 mA / 3 mA AC 5 mA / 1.5 mA DC
Status indicator	Green LED	Green LED	Green LED	Green LED	Green LED
Protective circuit	Integrated free-wheel diode, Reverse polarity protection	Integrated free-wheel diode, Reverse polarity protection	Integrated free-wheel diode, Reverse polarity protection	Rectifier	Rectifier
Output					
Switch-on delay	< 11 ms	< 11 ms	< 11 ms	< 11 ms	< 11 ms
Switch-off delay	< 7 ms	< 8 ms	< 10 ms	< 7 ms	< 7 ms

Ordering data					
Screw connection	TR5 5VDC 2CO AU	TR5 12VDC 2CO AU	TR5 24VDC 2CO AU	TR5 24VUC 2CO AU	TR5 48VUC 2CO AU
Order No.	1123710000	1123720000	1123730000	1123740000	1123750000
Tension clamp conn.	TRZ 5VDC 2CO AU	TRZ 12VDC 2CO AU	TRZ 24VDC 2CO AU	TRZ 24VUC 2CO AU	TRZ 48VUC 2CO AU
Order No.	1123830000	1123840000	1123850000	1123870000	1123880000
Note					
	Spare relay Type: RCL4250005 Orderno.: 1174490000	Spare relay Type: RCL4250112 Orderno.: 4074580000	Spare relay Type: RCL4250224 Orderno.: 4058580000	Spare relay Type: RCL425024 Orderno.: 4058580000	Spare relay Type: RCL425048 Orderno.: 1201230000

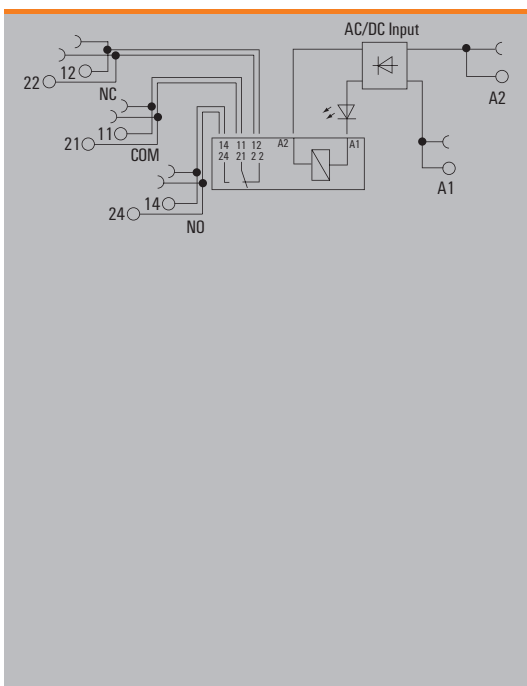
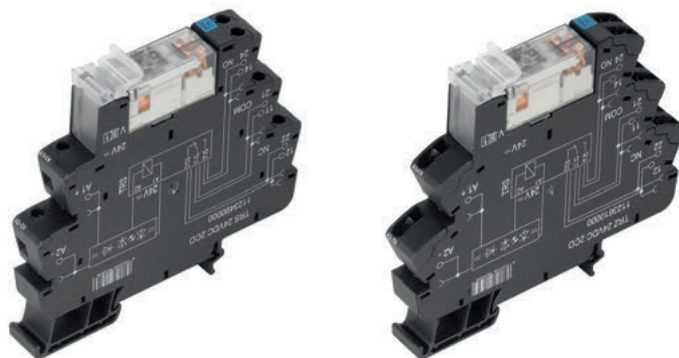
Ordering data

	60 V UC	120 V UC	230 V UC	120 V AC RC	230 V AC RC
Input					
Rated control voltage	60 V UC ±10 %	120 V UC ±10 %	230 V UC ±5 %	120 V AC ±10 %	230 V AC ±5 %
Rated current AC / DC	8 mA / 6.1 mA	3.5 mA / 3.5 mA	4 mA / 4 mA	5.5 mA /	10 mA /
Power rating	480 mVA / 360 mW	420 mVA / 420 mW	920 mVA / 920 mW	0.73 VA	2.3 VA
Pull-in/drop-out voltage, typ.	36 V / 13 V AC 40 V / 14 V DC	64 V / 26 V AC 69 V / 22 V DC	112 V / 43 V AC 129 V / 36 V DC	65 V / 23 V AC	112 V / 45 V AC
Pull-in/drop-out current, typ.	5 mA / 2.5 mA AC 4 mA / 1.2 mA DC	2 mA / 1 mA AC 2 mA / 1 mA DC	2 mA / 1 mA AC 2 mA / 1 mA DC	3.5 mA / 1 mA AC	5 mA / 2 mA AC
Status indicator	Green LED	Green LED	Green LED	Green LED	Green LED
Protective circuit	Rectifier	Rectifier	Rectifier	Rectifier	Rectifier
Output					
Switch-on delay	< 11 ms	< 11 ms	< 14 ms	< 11 ms	< 14 ms
Switch-off delay	< 7 ms	< 7 ms	< 22 ms	< 7 ms	< 12 ms

Ordering data					
Screw connection	TR5 60VUC 2CO AU	TR5 120VUC 2CO AU	TR5 230VUC 2CO AU	TR5 120VAC RC 2CO AU	TR5 230VAC RC 2CO AU
Order No.	1123770000	1123780000	1123790000	1123800000	1123810000
Tension clamp conn.	TRZ 60VUC 2CO AU	TRZ 120VUC 2CO AU	TRZ 230VUC 2CO AU	TRZ 120VAC RC 2CO AU	TRZ 230VAC RC 2CO AU
Order No.	1123890000	1123900000	1123910000	1123920000	1123930000
Note					
	Spare relay Type: RCL425060 Orderno.: 1201260000	Spare relay Type: RCL425110 Orderno.: 8828370000	Spare relay Type: RCL425110 Orderno.: 8828370000	Spare relay Type: RCL425110 Orderno.: 8828370000	Spare relay Type: RCL425110 Orderno.: 8828370000

2 CO contacts
multi-voltage input

- Space saving, just 12.8 mm modular width
- AgNi contact
- Screw and tension clamp connection
- Multi-voltage input: 24 to 230 V UC in one module



Technical data

Output			
Rated switching voltage / Continuous current	250 V AC / 8 A		
Max. switching voltage, AC	250 V		
Inrush current	15 A / 4 s		
Min. switching power	100 mA / 5 V, 10 V / 10 mA		
DC / AC Switching capacity (resistive), max.	192 W @ 24 V / 2000 VA		
Contact material	AgNi		
Mechanical service life	30 x 10 ⁶ switching cycles		
Max. switching frequency at rated load	0.1 Hz		
Rated data			
Ambient temperature (operational)	-40 °C...60 °C		
Storage temperature	-40 °C...85 °C		
Humidity	5-95% rel. humidity, T _v = 40°C, no condensation		
Approvals	CE, cULus, EAC, GL		
Insulation coordination (EN 50178)			
Rated voltage	300 V		
Impulse withstand voltage	6 kV (1.2/50 µs)		
Dielectric strength input - output	1.2 kV _{eff} / 5 s		
Dielectric strength, contact / contact			
Dielectric strength to mounting rail	4 kV _{eff} / 1 min.		
Creepage and clearance distance input - output	≥ 5.5 mm		
Overtoltage category	III		
Pollution degree	2		
Dimensions			
Clamping range (nominal / min. / max.)	mm ²	Screw connection	Tension clamp connection
		1.5 / 0.14 / 2.5	1.5 / 0.14 / 2.5
Depth x width x height	mm	88 / 12.8 / 90	88 / 12.8 / 90
Note			
Accessories and dimensional drawings: refer to the TERMSERIES Accessories page.			

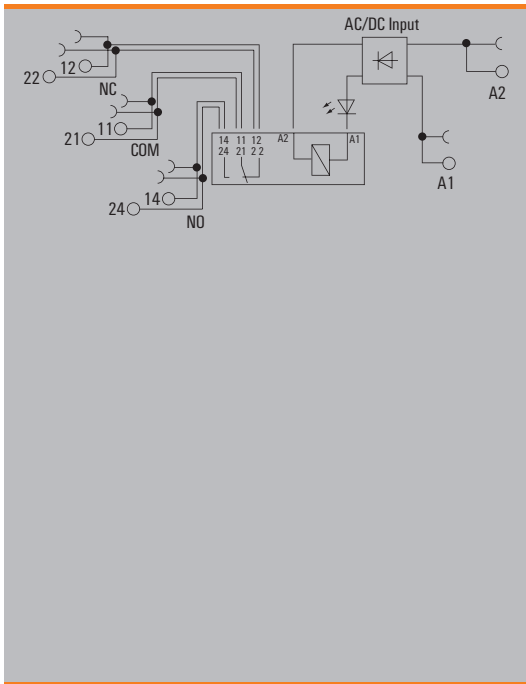
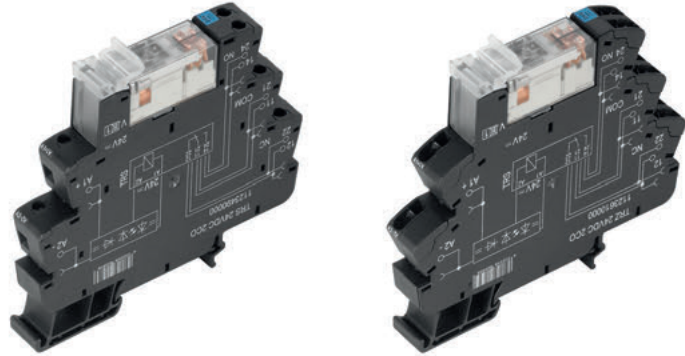
Ordering data

Input	
Rated control voltage	24...230 V UC ±10 %
Rated current AC / DC	6 mA @ 230 V UC / 45 mA @ 24 VUC
Power rating	1.08 W @ 24 V UC, 1.38 W @ 230 V UC
Pull-in/drop-out voltage, typ.	16 V / 6 V AC 16 V / 5 V DC
Pull-in/drop-out current, typ.	
Status indicator	Green LED
Protective circuit	Rectifier
Output	
Switch-on delay	< 22 ms
Switch-off delay	< 125 ms

Ordering data	
Screw connection	Type TRS 24-230VUC 2CO
Order No.	1123580000
Tension clamp conn.	Type TRZ 24-230VUC 2CO
Order No.	1123700000
Note	
Spare relay Type: RCL424024 Orderno.: 4058570000	

**2 CO contact with hard gold-plated contacts
multi-voltage input**

- Space saving, just 12.8 mm modular width
- AgNi contact with gold plating
- Screw and tension clamp connection
- Multi-voltage input: 24 to 230 V UC in one module



Technical data

Output			
Rated switching voltage / Continuous current	250 V AC / 8 A		
Max. switching voltage, AC	250 V		
Inrush current	15 A / 4 s		
Min. switching power	1 V / 1 mA		
DC / AC Switching capacity (resistive), max.	192 W @ 24 V / 2000 VA		
Contact material	AgNi 5µm Au		
Mechanical service life	30 x 10 ⁶ switching cycles		
Max. switching frequency at rated load	0.1 Hz		
Rated data			
Ambient temperature (operational)	-40 °C...60 °C		
Storage temperature	-40 °C...85 °C		
Humidity	5-95% rel. humidity, T _v = 40°C, no condensation		
Approvals	CE, cULus, EAC, GL		
Insulation coordination (EN 50178)			
Rated voltage	300 V		
Impulse withstand voltage	6 kV (1.2/50 µs)		
Dielectric strength input - output	1.2 kV _{eff} / 5 s		
Dielectric strength, contact / contact			
Dielectric strength to mounting rail	4 kV _{eff} / 1 min.		
Creepage and clearance distance input - output	≥ 5.5 mm		
Overtoltage category	III		
Pollution degree	2		
Dimensions			
Clamping range (nominal / min. / max.)	mm ²	Screw connection	Tension clamp connection
		1.5 / 0.14 / 2.5	1.5 / 0.14 / 2.5
Depth x width x height	mm	88 / 12.8 / 90	88 / 12.8 / 90
Note			
Accessories and dimensional drawings: refer to the TERMSERIES Accessories page.			

Ordering data

Input	
Rated control voltage	24...230 V UC ±10 %
Rated current AC / DC	6 mA @ 230 V UC / 45 mA @ 24 VUC
Power rating	1.08 W @ 24 V UC, 1.38 W @ 230 V UC
Pull-in/drop-out voltage, typ.	16 V / 6 V AC 16 V / 5 V DC
Pull-in/drop-out current, typ.	
Status indicator	Green LED
Protective circuit	Rectifier
Output	
Switch-on delay	< 22 ms
Switch-off delay	< 125 ms

Ordering data	
Screw connection	Type TRS 24-230VUC 2CO AU
Order No.	1123820000
Tension clamp conn.	Type TRZ 24-230VUC 2CO AU
Order No.	1123940000
Note	
Spare relay Type: RCL425024 Orderno.: 4058580000	