

GlobalTRAN™ PRODUCT SELECTION GUIDE

GENERAL SPECIFICATIONS: ALL ARE 50/60 Hz RATED

BUILDING STYLE:

ImperviTRAN (non-Series 2)

APPROVALS: UL File #E46323/CSA File #LR27533/CE to EN61558-2-2

GlobalTran includes installed IP-20 terminal covers

TERMINAL TIGHTENING TORQUE (ALL IMPERVITRAN STYLES):

≤30A: 20 lb/in

>30A: 30 lb/in

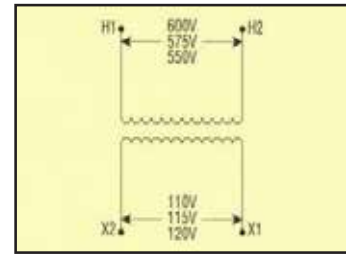
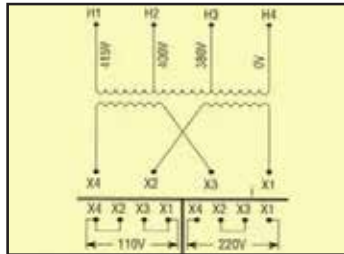
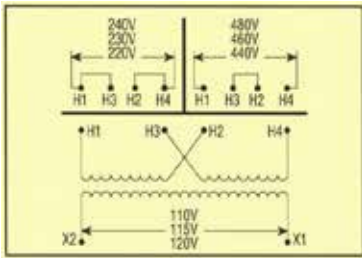
SUFFIX DESCRIPTION:

The GlobalTRAN product is defined by serialized part numbers ending in the basic suffix “GA”

Two letter suffix denotes Temp Class 105°C

Three letter suffix ending in “F” denotes Temp Class 130°C

Three letter suffix ending in “H” denotes Temp Class 180°C



Primary: 220 x 440, 230 x 460,
240 x 480
Secondary: 110/115/120

Primary: 380, 400, 415
Secondary: 110 x 220

Primary: 550/575/600
Secondary: 110/115/120

T	F.L.A.	VA	CATALOG NUMBER
4	0.43	50	B050-2001-GA
4	0.65	75	B075-2002-GA
4	0.87	100	B100-2003-GA
4	1.30	150	B150-2004-GAF
4	1.74	200	B200-2005-GAF
4	2.17	250	B250-2006-GAF
4	2.61	300	B300-2007-GAF
4	3.04	350	B350-2008-GAF
4	4.35	500	B500-2009-GAF
4	6.52	750	B750-2010-GAF
6	8.70	1000	B1K0-2008-GAH
6	13.04	1500	B1K5-2009-GAH
6	17.39	2000	B2K0-2010-GAH
6	26.09	3000	B3K0-2011-GAH
6	45.45	5000	B5K0-2012-GAH

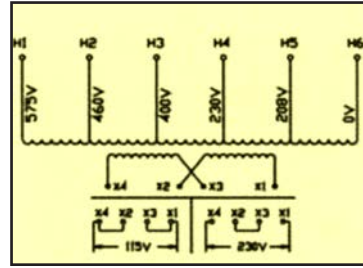
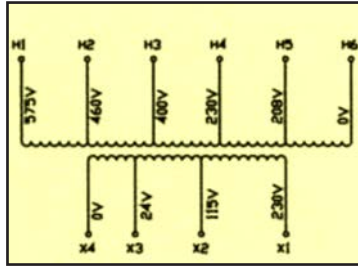
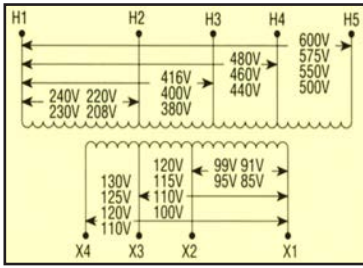
T	F.L.A.	VA	CATALOG NUMBER
4	0.46/0.23	50	B050-2061-GA
4	0.68/0.34	75	B075-2062-GA
4	0.91/0.46	100	B100-2063-GA
4	1.37/0.69	150	B150-2064-GAF
4	1.82/0.91	200	B200-2065-GAF
4	2.28/1.14	250	B250-2066-GAF
4	2.72/1.36	300	B300-2067-GAF
4	3.18/1.59	350	B350-2068-GAF
4	4.55/2.27	500	B500-2069-GAF
4	6.82/3.41	750	B750-2070-GAF

T	F.L.A.	VA	CATALOG NUMBER
4	0.43	50	B050-2041-GA
4	0.65	75	B075-2042-GA
4	0.87	100	B100-2043-GA
4	1.30	150	B150-2044-GAF
4	1.74	200	B200-2045-GAF
4	2.17	250	B250-2046-GAF
4	2.61	300	B300-2047-GAF
4	3.04	350	B350-2048-GAF
4	4.35	500	B500-2049-GAF
4	6.52	750	B750-2050-GAF

MICRON ALSO OFFERS THE DINergy™ LINE OF INDUSTRIAL DIN-MOUNT POWER SUPPLIES FROM 18 – 960 WATT PLUS SINGLE PHASE AND THREE PHASE LVGP, BUCK-BOOST TRANSFORMERS AND SPECIALTY MAGNETICS

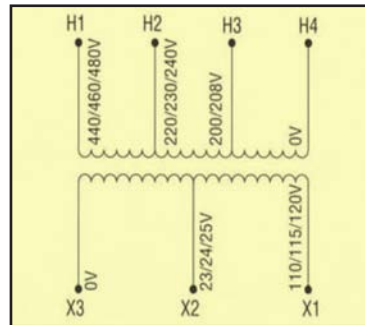
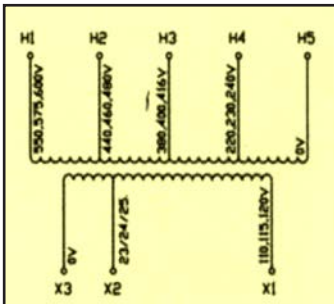
250VA – 1KVA

1.5KVA – 5KVA



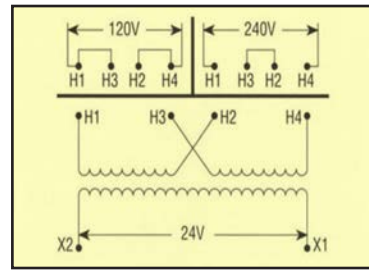
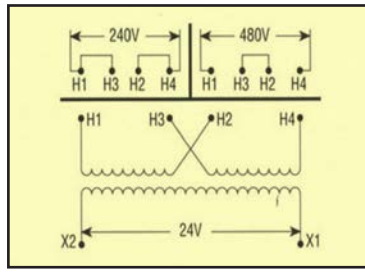
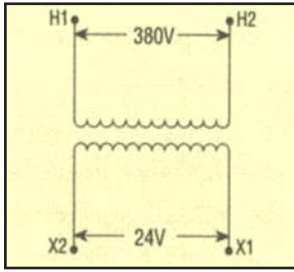
Primary: 208 – 600 Secondary: 85 – 130			
T	F.L.A.	VA	CATALOG NUMBER
6/4	1.92	250	B250-2283-GAF
6/4	2.31	300	B300-2284-GAF
6/4	2.69	350	B350-2285-GAF
6/4	3.85	500	B500-2286-GAF
6/4	5.77	750	B750-2287-GAF
6	7.69	1000	B1K0-2288-GAH
6	11.54	1500	B1K5-2289-GAH
6	15.38	2000	B2K0-2290-GAH
6	23.08	3000	B3K0-2291-GAH

Primary: 230/400/460/575 Secondary: 24/115/230			
T	F.L.A.	VA	CATALOG NUMBER
4	10.42/2.17/1.10	250	B250-2263-GAF
4	12.50/2.61/1.30	300	B300-2264-GAF
4	14.58/3.04/1.50	350	B350-2265-GAF
4	20.84/4.35/2.20	500	B500-2266-GAF
6	31.30/6.50/3.30	750	B750-2267-GAF
6	41.70/8.70/4.30	1000	B1K0-2268-GAH
6	XX/13.04/6.52	1500	B1K5-2269-GAH
6	XX/17.39/8.70	2000	B2K0-2270-GAH
6	XX/26.09/13.04	3000	B3K0-2271-GAH
6	XX/43.48/21.74	5000	B5K0-2272-GAH



Primary: 230/400/460/575 Secondary: 24/115			
T	F.L.A.	VA	CATALOG NUMBER
6/4	10.40/2.20	250	B250-2243-GAF
6/4	12.50/2.60	300	B300-2244-GAF
6/4	14.60/3.00	350	B350-2245-GAF
6/4	20.80/4.30	500	B500-2246-GAF
6/4	31.30/6.50	750	B750-2247-GAF
6/4	41.70/8/70	1000	B1K0-2248-GAH

Primary: 208/230/460 Secondary: 24/115				
T	T	F.L.A.	VA	CATALOG NUMBER
4	4	2.08/0.44	50	B050-2101-GA
4	4	3.13/0.65	75	B075-2102-GA
4	4	4.17/0.87	100	B100-2103-GA
4	4	6.25/1.30	150	B150-2104-GAF
4	4	8.33/1.74	200	B200-2105-GAF
4	4	10.42/2.17	250	B250-2106-GAF
4	4	12.50/2.61	300	B300-2107-GAF
4	4	14.58/3.04	350	B350-2108-GAF
4	4	20.84/4.35	500	B500-2109-GAF
4	6	31.30/6.50	750	B750-2110-GAF
6	6	41.70/8.70	1000	B1K0-2188-GAH

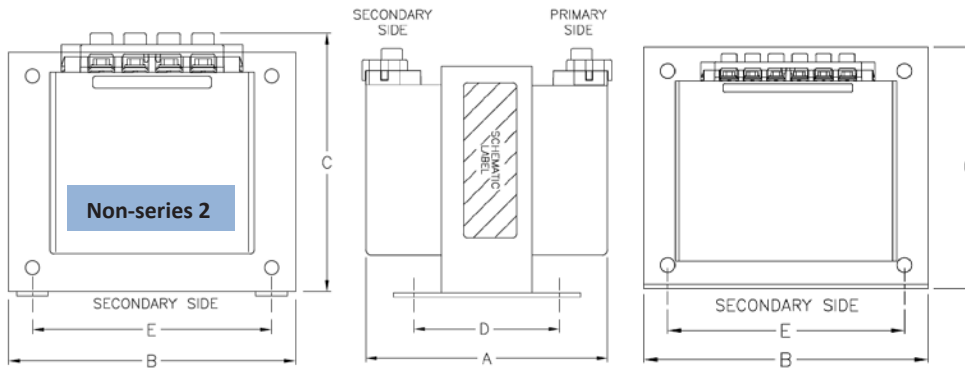


Primary: 380 Secondary: 24			
T	F.L.A.	VA	CATALOG NUMBER
4	2.08	50	B050-2051-GA
4	3.13	75	B075-2052-GA
4	4.17	100	B100-2053-GA
4	6.25	150	B150-2054-GAF
4	8.33	200	B200-2055-GAF
4	10.42	250	B250-2056-GAF
4	12.50	300	B300-2057-GAF
4	14.48	350	B350-2058-GAF
4	20.83	500	B500-2059-GAF
4	31.25	750	B750-2060-GAF

Primary: 240 x 480 Secondary: 24			
T	F.L.A.	VA	CATALOG NUMBER
4	2.08	50	B050-2011-GA
4	3.13	75	B075-2012-GA
4	4.17	100	B100-2013-GA
4	6.25	150	B150-2014-GAF
4	8.33	200	B200-2015-GAF
4	10.42	250	B250-2016-GAF
4	12.50	300	B300-2017-GAF
4	14.48	350	B350-2018-GAF
4	20.83	500	B500-2019-GAF
4	31.25	750	B750-2020-GAF
6	41.67	1000	B1K0-2028-GAF

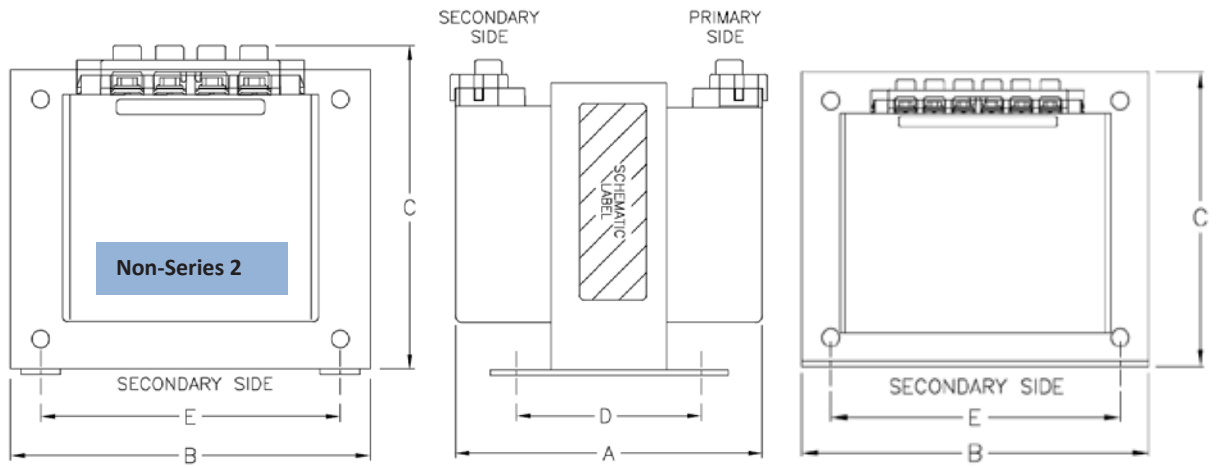
Primary: 120 x 240 Secondary: 24			
T	F.L.A.	VA	CATALOG NUMBER
4	2.08	50	B050-2021-GA
4	3.13	75	B075-2022-GA
4	4.17	100	B100-2023-GA
4	6.25	150	B150-2024-GAF
4	8.33	200	B200-2025-GAF
4	10.42	250	B250-2026-GAF
4	12.50	300	B300-2027-GAF
4	14.48	350	B350-2028-GAF
4	20.83	500	B500-2029-GAF
4	31.25	750	B750-2030-GAF
6	41.67	1000	B1K0-2048-GAF

GlobalTRAN™ PRODUCT DIMENSIONAL DATA



Voltage – Pri: 230/460 Sec: 115

VA	INCH A		MM		INCH B		MM		INCH C		MM		INCH D		MM		INCH E		MM		W
DIMENSIONS																					LBS
B050-2001-GA	3.38		86		3.00		76		3.00		76		2.44		61		2.50		64		3.40
B075-2002-GA	3.46		88		3.38		86		3.25		83		2.44		61		2.81		71		4.80
B100-2003-GA	3.38		86		3.75		95		3.50		89		2.44		61		3.13		79		5.90
B150-2004-GAF	3.75		95		4.50		114		4.00		102		2.44		61		3.75		95		8.50
B200-2005-GAF	3.75		95		4.50		114		4.00		102		2.81		71		3.75		95		10.00
B250-2006-GAF	4.00		102		4.50		114		4.00		102		3.19		81		3.75		95		11.00
B300-2007-GAF	4.38		111		4.50		114		4.00		102		3.75		95		3.75		95		13.00
B350-2008-GAF	4.95		126		5.25		133		4.50		114		3.38		86		4.38		111		15.00
B500-2009-GAF	5.13		130		5.25		133		4.50		114		4.38		111		4.38		111		20.00
B750-2010-GAF	7.00		178		5.25		133		5.00		127		5.88		149		4.38		111		29.80
B1K0-2008-GAH	6.63		168		6.38		162		5.50		140		3.75		95		5.31		135		35.00
B1K5-2009-GAH	7.31		186		6.75		172		6.00		152		5.00		127		6.13		156		40.00
B2K0-2010-GAH	8.13		203		6.75		172		6.00		152		5.25		133		6.13		156		45.00
B3K0-2011-GAH	8.06		202		9.00		225		8.00		200		5.25		133		7.50		191		65.20
B5K0-2012-GAH	10.00		250		9.00		225		8.00		200		7.19		183		7.50		191		104.80



Voltage – Pri: 380, 400, 415 Sec: 110 x 220

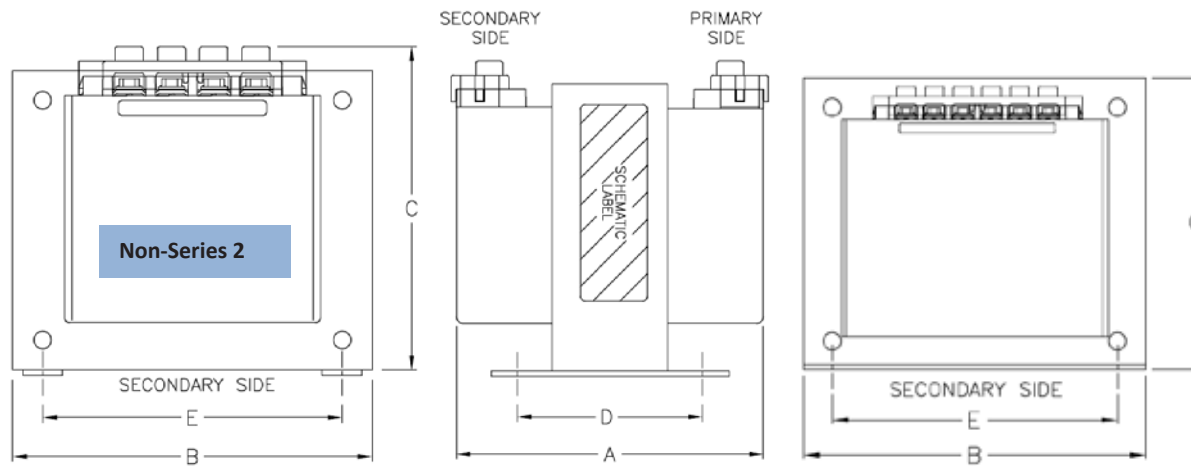
VA											W
DIMENSIONS	INCH	MM	INCH	MM	INCH	MM	INCH	MM	INCH	MM	LBS
B050-2061-GA	3.38	86	3.00	76	3.00	76	2.44	61	2.50	64	3.40
B075-2062-GA	3.46	88	3.38	86	3.25	83	2.44	61	2.81	71	4.80
B100-2063-GA	3.38	86	3.75	95	3.50	89	2.44	61	3.13	79	5.90
B150-2064-GAF	3.75	95	4.50	114	4.00	102	2.44	61	3.75	95	8.50
B200-2065-GAF	3.75	95	4.50	114	4.00	102	3.00	76	3.75	95	10.00
B250-2066-GAF	4.00	102	4.50	114	4.00	102	3.19	81	3.75	95	11.00
B300-2067-GAF	4.38	111	4.50	114	4.00	102	3.75	95	3.75	95	13.00
B350-2068-GAF	4.75	121	4.50	114	4.00	102	3.75	95	3.75	95	15.00
B500-2069-GAF	5.13	130	5.25	133	4.50	114	4.38	111	4.38	111	20.00
B750-2070-GAF	7.00	178	5.25	133	4.50	114	5.88	149	4.38	111	27.00

Voltage – Pri: 550/575/600 Sec: 110/115/120

VA											W
DIMENSIONS	INCH	MM	INCH	MM	INCH	MM	INCH	MM	INCH	MM	LBS
B050-2041-GA	3.38	86	3.00	76	3.00	76	2.44	61	2.50	64	3.40
B075-2042-GA	3.38	86	3.38	86	3.25	83	2.44	61	2.81	71	4.80
B100-2043-GA	3.38	86	3.75	95	3.50	89	2.44	61	3.13	80	5.90
B150-2044-GAF	3.75	95	4.50	114	4.00	102	2.44	61	3.75	95	8.50
B200-2045-GAF	3.75	95	4.50	114	4.00	102	3.00	76	3.75	95	10.00
B250-2046-GAF	4.00	102	4.50	114	4.00	102	3.19	81	3.75	95	11.00
B300-2047-GAF	4.38	111	4.50	114	4.00	102	3.75	95	3.75	95	13.00
B350-2048-GAF	4.50	114	5.25	133	4.50	114	3.38	86	4.38	111	15.00
B500-2049-GAF	5.13	130	5.25	133	4.50	114	4.38	111	4.38	111	20.00
B750-2050-GAF	7.00	178	5.25	133	4.50	114	5.38	137	4.38	111	28.00

Voltage – Universal Pri: 208-600 Sec: 85-130

VA											W
DIMENSIONS	INCH	MM	INCH	MM	INCH	MM	INCH	MM	INCH	MM	LBS
B250-2283-GAF	4.25	108	4.50	114	4.00	102	3.44	86	3.75	95	11.40
B300-2284-GAF	4.75	121	4.50	114	4.00	102	3.75	95	3.75	95	13.60
B350-2285-GAF	5.25	133	4.50	114	4.11	104	3.75	95	3.75	95	14.20
B500-2286-GAF	5.50	140	5.25	133	4.66	118	3.88	99	4.38	111	17.40
B750-2287-GAF	7.38	187	5.25	133	4.78	121	5.88	149	4.38	111	27.50
B1K0-2288-GAH	7.00	178	6.38	162	5.50	140	5.06	129	5.31	135	27.90
B1K5-2289-GAH	7.75	199	6.75	171	6.00	152	5.00	127	6.13	156	43.10
B2K0-2290-GAH	7.63	194	9.00	229	8.00	203	4.81	122	7.50	191	56.00
B3K0-2291-GAH	8.56	217	9.00	229	7.63	194	5.75	146	7.50	191	76.20



Voltage -- Pri: 208/230/400/460/575 Sec: 24*/115/230

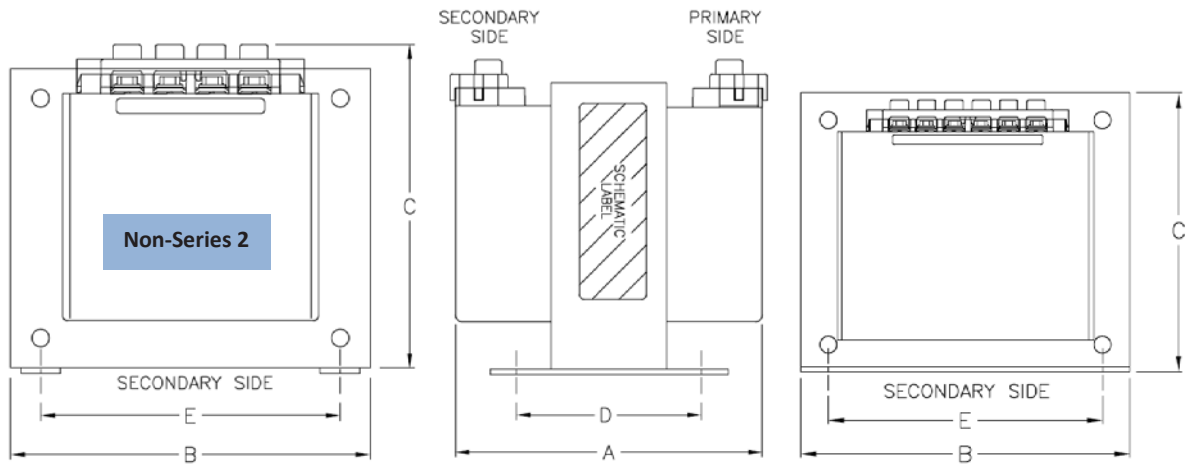
VA	INCH A		MM		INCH B		MM		INCH C		MM		INCH D		MM		INCH E		MM		W
DIMENSIONS																					LBS
B250-2263-GAF	4.75		121		4.50		114		4.00		102		4.75		121		3.75		95		14.90
B300-2264-GAF	5.25		133		4.50		114		4.00		102		4.75		121		3.75		95		17.40
B350-2265-GAF	5.60		145		5.25		133		4.50		114		4.38		111		4.38		111		17.80
B500-2266-GAF	7.19		183		5.25		133		4.75		121		5.88		149		4.38		111		26.60
B750-2267-GAF	7.44		189		6.38		162		5.56		141		5.06		129		5.31		135		32.50
B1K0-2268-GAH	7.75		199		6.75		171		6.25		159		5.00		127		6.13		156		44.00
B1K5-2269-GAH	7.75		199		6.75		171		6.00		152		5.00		127		6.13		156		45.40
B2K0-2270-GAH	7.63		194		9.00		229		7.63		194		4.81		122		7.50		191		58.60
B3K0-2271-GAH	8.75		222		9.00		229		7.63		194		5.94		151		7.50		191		92.90
B5K0-2272-GAH	10.44		265		9.00		229		7.63		194		7.63		194		7.50		191		127.40

Voltage -- Pri: 230/400/460/575 Sec: 24/115

VA	INCH A		MM		INCH B		MM		INCH C		MM		INCH D		MM		INCH E		MM		W
DIMENSIONS																					LBS
B250-2243-GAF	4.75		121		4.50		114		4.00		102		3.75		95		3.75		95		14.30
B300-2244-GAF	5.00		127		4.50		114		4.00		102		4.75		121		3.75		95		15.80
B350-2245-GAF	5.19		132		5.25		133		4.50		114		3.88		99		4.38		111		16.50
B500-2246-GAF	6.19		157		5.25		133		4.50		114		4.88		124		4.38		111		20.50
B750-2247-GAF	7.00		178		6.38		162		5.56		141		5.06		129		5.31		135		28.80
B1K0-2248-GAH	8.13		207		6.38		162		6.00		152		5.06		129		5.31		135		34.90

Voltage -- Pri: 208/230/460 Sec: 24/115

VA	INCH A		MM		INCH B		MM		INCH C		MM		INCH D		MM		INCH E		MM		W
DIMENSIONS																					LBS
B050-2101-GA	3.38		86		3.00		76		3.25		83		2.25		56		2.81		71		4.20
B075-2102-GA	3.38		86		3.38		86		3.50		89		2.44		61		3.13		79		5.90
B100-2103-GA	3.63		92		3.75		95		3.50		89		3.19		81		3.13		79		7.90
B150-2104-GAF	3.75		95		4.50		114		4.00		102		2.81		71		3.75		95		10.00
B200-2105-GAF	4.38		111		4.50		114		4.00		102		3.44		87		3.75		95		12.80
B250-2106-GAF	4.75		121		4.50		114		4.00		102		3.75		95		3.75		95		14.00
B300-2107-GAF	4.88		124		5.25		133		4.50		114		3.88		99		4.38		111		16.80
B350-2108-GAF	4.88		124		5.25		133		4.50		114		3.88		99		4.38		111		19.20
B500-2109-GAF	5.63		143		5.25		133		4.60		114		5.88		149		4.38		111		29.00
B750-2110-GAF	6.75		172		6.38		162		5.56		141		5.06		129		5.31		135		29.80
B1K0-2188-GAH	7.06		179		6.38		162		6.00		152		5.06		129		5.31		135		30.20



Voltage -- Pri: 380 Sec: 24

VA	INCH A		MM		INCH B		MM		INCH C		MM		INCH D		MM		INCH E		MM		W
DIMENSIONS																					LBS
B050-2051-GA	3.38	86	3.00	76	3.00	76	2.19	55	2.50	64	3.50										
B075-2052-GA	3.46	88	3.38	86	3.25	83	2.19	55	2.81	71	4.20										
B100-2053-GA	3.38	86	3.75	95	3.50	89	2.44	61	3.13	79	5.90										
B150-2054-GAF	3.63	91	3.75	95	3.50	89	3.00	76	3.13	79	8.50										
B200-2055-GAF	3.75	95	4.50	114	4.00	102	2.81	70	3.75	95	10.00										
B250-2056-GAF	4.00	102	4.50	114	4.00	102	3.19	81	3.75	95	11.00										
B300-2057-GAF	4.38	111	4.50	114	4.00	102	3.75	95	3.75	95	13.20										
B350-2058-GAF	4.50	114	5.25	133	4.50	114	3.88	99	4.38	111	14.90										
B500-2059-GAF	5.13	130	5.25	133	4.50	114	3.88	99	4.38	111	19.20										
B750-2060-GAF	7.00	178	5.25	133	5.00	127	5.88	149	4.38	111	28.10										

Voltage -- Pri: 240 x 480 Sec: 24

VA	INCH A		MM		INCH B		MM		INCH C		MM		INCH D		MM		INCH E		MM		W
DIMENSIONS																					LBS
B050-2011-GA	3.38	86	3.00	76	3.00	76	2.19	56	2.50	64	3.40										
B075-2012-GA	3.38	86	3.38	86	3.25	83	2.19	56	2.81	71	4.20										
B100-2013-GA	3.38	86	3.75	95	3.50	89	2.44	61	3.13	80	5.90										
B150-2014-GAF	4.00	102	4.50	114	4.00	102	2.44	62	3.75	95	8.50										
B200-2015-GAF	4.00	102	4.50	114	4.00	102	2.81	71	3.75	95	10.00										
B250-2016-GAF	4.00	102	4.50	114	4.00	102	3.19	81	3.75	95	11.00										
B300-2017-GAF	4.38	111	4.50	114	4.00	102	3.75	95	3.75	95	13.20										
B350-2018-GAF	4.50	114	5.25	133	4.50	114	3.38	86	4.38	111	14.90										
B500-2019-GAF	5.13	130	5.25	133	4.50	114	3.88	99	4.38	111	19.20										
B750-2020-GAF	7.00	178	5.25	133	5.00	127	5.38	137	4.38	111	28.10										
B1K0-2028-GAF	7.00	178	6.38	162	6.00	152	3.75	95	5.31	135	30.00										

Voltage -- Pri: 120 x 240 Sec: 24

VA	INCH A		MM		INCH B		MM		INCH C		MM		INCH D		MM		INCH E		MM		W
DIMENSIONS																					LBS
B050-2021-GA	3.38	86	3.00	76	3.00	76	2.19	56	2.50	64	3.40										
B075-2022-GA	3.38	86	3.38	86	3.25	83	2.19	56	2.81	71	4.20										
B100-2023-GA	3.38	86	3.75	95	3.50	89	2.44	61	3.13	79	5.90										
B150-2024-GAF	4.00	102	4.50	114	4.00	102	2.44	61	3.75	95	8.50										
B200-2025-GAF	4.00	102	4.50	114	4.00	102	2.81	70	3.75	95	10.00										
B250-2026-GAF	4.00	102	4.50	114	4.00	102	3.19	81	3.75	95	11.00										
B300-2027-GAF	4.38	111	4.50	114	4.00	102	3.75	95	3.75	95	13.20										
B350-2028-GAF	4.50	114	5.25	133	4.50	114	3.38	86	4.38	111	14.90										
B500-2029-GAF	5.13	130	5.25	133	4.50	114	3.88	99	4.38	111	19.20										
B750-2030-GAF	7.00	178	5.25	133	5.00	127	5.88	149	4.38	111	29.80										
B1K0-2048-GAF	7.00	178	6.38	162	6.00	152	3.75	95	5.31	135	31.00										

MEDIUM VOLTAGE CONTROL TRANSFORMERS

GENERAL SPECIFICATIONS: All are EITHER 50Hz or 60Hz

BUILDING STYLE: Open core and coil

APPROVALS: This product is not UL/CSA

130°C Insulation system

24" Minimum primary lead length

Frequency: 60Hz

HIPOT: 7,400 volts for 2,400 volt primary

11,500 volts for 4160 volt primary

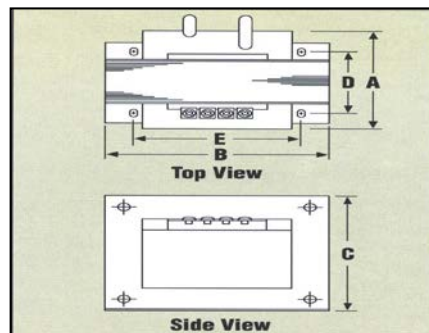
Construction: – Epoxy impregnated coils

Primary: 4200 Secondary: 120			
T	F.L.A.	VA	CATALOG NUMBER
W/4	6.25	750	H750-0030

Primary: 2400 Secondary: 120			
T	F.L.A.	VA	CATALOG NUMBER
W/4	6.25	750	H750-0031

Primary: 4160 Secondary: 120 x 240			
T	F.L.A.	VA	CATALOG NUMBER
W/4	8.33/4.17	1000	H1K0-0015
W/4	12.50/6.25	1500	HN1K5G1519P
W/4	16.67/8.33	2000	HN2K0G1519P
W/4	25.00/12.50	3000	HN3K0G1519P

Primary: 2400 Secondary: 120 x 240			
T	F.L.A.	VA	CATALOG NUMBER
W/4	8.33/4.17	1000	H1K0-0010
W/4	12.50/6.25	1500	HN1K5F1519P
W/4	16.67/8.33	2000	HN2K0F1519P
W/4	25.00/12.50	3000	HN3K0F1519P



Voltage – Pri: 4200* or 2400 Sec: 120

VA	INCH A MM		INCH B MM		INCH C MM		INCH D MM		INCH E MM		W LBS
DIMENSIONS	INCH	MM	INCH	MM	INCH	MM	INCH	MM	INCH	MM	
*H750-0030	6.63	168	6.38	162	5.81	148	5.25	133	5.31	135	30.50
H750-0031	6.63	168	6.38	162	5.81	148	5.25	133	5.31	135	30.70

Voltage – Pri: 4160* or 2400 Sec: 120 x 240

VA	INCH A MM		INCH B MM		INCH C MM		INCH D MM		INCH E MM		W LBS
DIMENSIONS	INCH	MM	INCH	MM	INCH	MM	INCH	MM	INCH	MM	
H1K0-0010	6.25	159	7.56	192	6.38	162	3.50	89	5.63	143	31.30
*H1K0-0015	6.25	159	7.56	192	6.38	162	3.50	89	5.63	143	31.10
HN1K5F1519P	7.00	178	9.00	229	7.63	194	4.25	108	6.50	165	53.7
*HN1K5G1519P	7.00	178	9.00	229	7.63	194	4.25	108	6.50	165	53.2
HN2K0F1519P	7.94	202	9.00	229	7.63	194	5.19	132	6.50	165	65.40
*HN2K0G1519P	7.94	202	9.00	229	7.63	194	5.19	132	6.50	165	58.20
HN3K0F1519P	9.75	248	9.00	229	7.63	194	7.00	178	6.50	165	99.90
*HN3K0G1519P	9.75	248	9.00	229	7.63	194	7.00	178	6.50	165	101.00

CONTROL TRANSFORMER ACCESSORIES

CATALOG NUMBER	DESCRIPTION	APPROX. WEIGHT	
		LBS	KG
	IP-20 Safetouch™ Covers		
TPTC-2001	10PACK 4TERM.	1.0	0.5
TPTC-2002	10PACK 6TERM.	1.0	0.5
TPTC-2006	10PACK UNIVERSAL PRI BLOCK	1.0	0.5
			
FKTP-1001	PRIMARY CL "CC" FUSE KIT	0.25	0.1
			
	Bulk Fuse Clips		
514-1661-01C	BULK FUSE CLIPS 13/32 X 1-1/2 SMALL TERMINALS	N/A	
514-1662-01A	BULK FUSE CLIPS 13/32 X 1-1/2 LARGE TERMINALS	N/A	
514-1661-02C	BULK FUSE CLIPS 1/4 X 1-1/4 SMALL TERMINALS	N/A	
514-1662-02A	BULK FUSE CLIPS 1/4 X 1-1/4 LARGE TERMINALS	N/A	
514-1621A	BULK FUSE CLIPS 9/16 X 2 FITS SMALL TERMINALS ONLY	N/A	
	Bulk Jumpers		
514-1653-02A	BAGGED JUMPERS SMALL TERMINALS – 2 PER BAG	N/A	
514-1654-02B	BAGGED JUMPERS LARGE TERMINALS – 2 PER BAG	N/A	
	Optional Factory Installed Primary Fuse Holders		
CL. "CC" PRI.	P/N SUFFIX = RB, RK, RX, RJ, RR, RY, RG, RL, RN, RC, -8		
	*Non-rejection version available on all factory installed primary fuseblock options		
	Secondary Fuse Clip Options		
1/4 X 1-1/4 SEC.	P/N SUFFIX = JQ, XQ		
9/16 X 2 SEC.	P/N SUFFIX = JM, XM FITS SMALL TERMINALS ONLY		

TRANSFORMER ACCESSORY INTERCHANGE MATRIX

WITHOUT PRIMARY FUSE BLOCK	>>	DUAL CLASS "CC" PRIMARY FUSED SUFFIX
JK, JKF, JKH	>>	RB, RBF, RBH
XK, XKF, XKH	>>	RK, RKF, RKH
XX, XXF, XXH	>>	RX, RXF, RXH
XJ, XJF, XJH	>>	RJ, RJF, RJH
JJ, JJF, JJH	>>	RR, RRF, RRH
JM, JMF, JMH	>>	RY, RYF, RYH
XM, JMF, JMH	>>	RG, RGF, RGH
JQ, JQF, JQH	>>	RL RLF, RLH
XQ, XQF, XQH	>>	RN, RNF, RNH
JX, JXF, JXH	>>	RC, RCF, RCH
-1, -1F, -1H	>>	-8, -8F, -8H

PRIMARY FUSE KIT # FKTP-1001

Universal mounting instructions

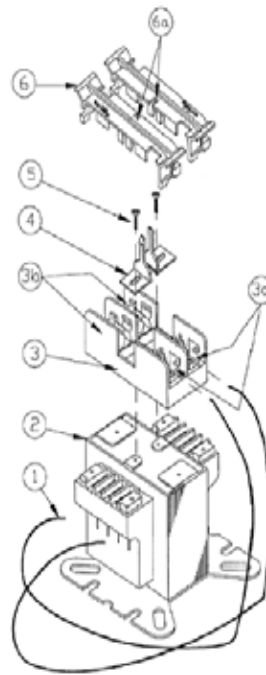
In addition to factory installed primary fusing capability Micron offers a primary fuse kit for ImperviTRAN intended for field installation. The primary fuse kit includes a 2-pole Class "CC" fuse block, instructions and all associated mounting hardware. Additionally, this fuse block will fit many competitive units. To order this kit, use catalog number FKTP-1001. The primary fuse kit, when installed, will add a maximum of 11/16" to the transformer "A" dimension and 1-15/16" to the "C" dimension.

For transformers with integral accessory mounting plate

1. Connect one end of the 2 primary leads (#1) under the appropriate primary terminal screws. Secure screws to 16 lb-in <500VA and 30 lb-in 500VA and larger.
2. Insert locking clips (#4) oriented as shown into the fuse block (#3) pockets. Use caution in choosing screw length if locking clips are not used.
3. Attach clips and fuse block to accessory mounting plate (#2) using screws (#5). Recommended torque 16 lb-in.
4. Insert fuses (not supplied) into fuse block followed by fuse block covers (#6) (IF ORDERED) with lock slots (#6a) matching tip of the clips, as shown. Press down until cover locks.

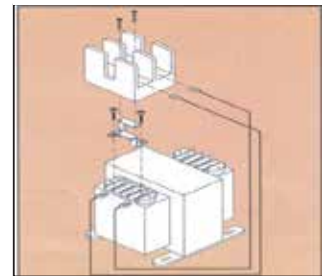
Cover cannot be removed without releasing tab from detent (#6a). A tip of a pen will suffice.

Refer to primary fuse chart for recommended fuses.



For transformers without integral accessory mounting plate:

Loosen two outer screws on primary side of transformer. On 6-terminal designs leave 2 open spaces between. Capture mounting brackets and leads under terminal screws and tighten to correct value.



5. Connect the other end of the 2 primary leads (#1) under the screws on each of the 2 poles on the fuse block (#3a) and secure to 20 lb-in.
6. Apply primary voltage to the opposite end of the fuse block (#3b).

Additionally the mounting plate (#2) can be utilized to mount other accessories such as DIN Rail. Use caution in choosing screw length.