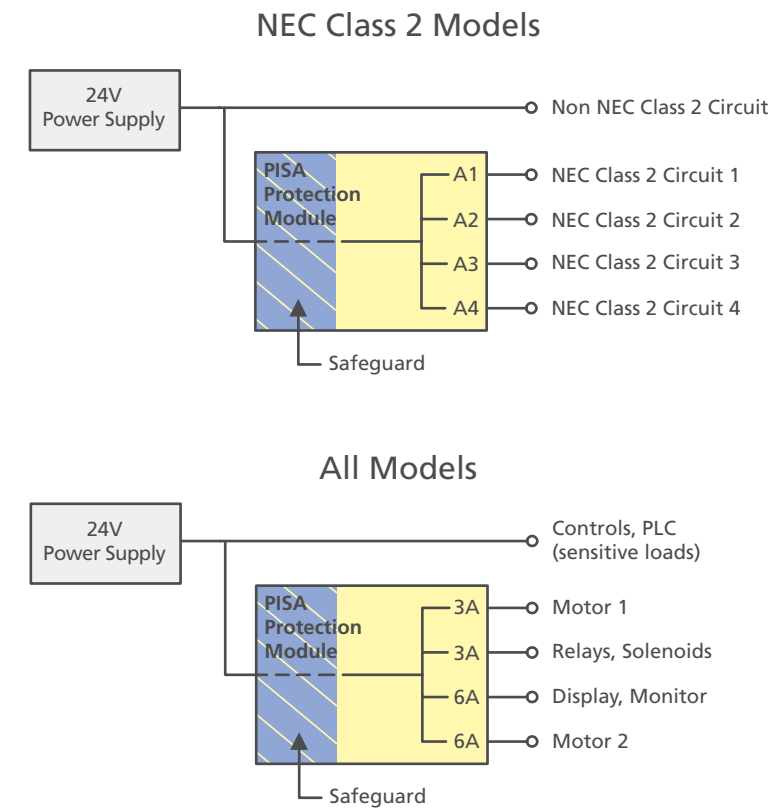


Circuit Protection Modules

PISA is an innovative concept for current distribution and protection of 24V load circuits. First, it distributes the current of a large power source to four lower current output channels and therefore, allows for smaller wires to be used. The second function is to permit only as much current on the outputs so that the input voltage of this unit (which corresponds to the output voltage of the power supply) does not fall below 21V. This ensures a safe and uninterrupted supply voltage for sensitive equipment, such as PLCs, controls or sensors, when they are connected directly to the same power supply as the PISA module.

Less critical loads, that are not affected by short voltage interruptions or that could even be the cause of a fault on the 24V power supply are connected to one of the four current controlled output channels of the PISA module. The protection is independent of the length of the wires or of the power supplies' characteristics. All four output channels shutdown simultaneously if the current of one channel or the maximum allowed current of the PISA module is exceeded.

All PISA modules have an Output-OK relay contact to provide a status signal. The Reset function provides a means of turning the unit ON/OFF locally as well as remotely. Multiple PISA modules can be shut down simultaneously during a protection event by connecting the Sync terminals.



Output Current	Channel 1 Channel 2 Channel 3 Channel 4	1A 1A 1A 1A	2A 2A 2A 2A	3A 3A 3A 3A	3.7A 3.7A 3.7A 3.7A	4A 4A 4A 4A	6A 6A 6A 6A	10A 10A 10A 10A	3A 3A 6A 6A	6A 6A 12A 12A
Nominal Voltage		24-28V	24-28V	24-28V	24-28V	24-28V	24-28V	24-28V	24-28V	24-28V
Input Voltage Range		18-30V	18-30V	18-30V	18-30V	18-30V	18-30V	18-30V	18-30V	18-30V
Required Input Voltage for Turning-On the Outputs, (typical)		21.4V	21.4V	21.4V	21.4V	21.4V	21.4V	21.4V	21.4V	21.4V
Input Voltage Protection Level min./max.		21.0V/21.8V	21.0V/21.8V	21.0V/21.8V	21.0V/21.8V	21.0V/21.8V	21.0V/21.8V	21.0V/21.8V	21.0V/21.8V	21.0V/21.8V
Total Output Current (All 4 Outputs Together)		4A	8A	12A	14.8A at 24V	16A	20A	20A	18A	20A
Output Current Limitation min./max.		9A/12.7A	9A/12.7A	16.6A/23.6A	16.6A/23.6A	16.6A/23.6A	20.5A/30A	20.5A/30A	20.5A/30A	20.5A/30A
Short Circuit Shutdown Time (typical)		110ms	110ms	10ms	10ms	10ms	8ms	8ms	8ms	8ms
Power Losses (Typical)		1.0W	1.3W	1.4W	1.6W	1.8W	2.4W	4.9W	1.9W	4.2W
Operating Temperature Range		-25°C to +70°C	-25°C to +70°C	-25°C to +70°C	-25°C to +70°C	-25°C to +70°C	-25°C to +70°C	-25°C to +70°C	-25°C to +70°C	-25°C to +70°C
Dimensions (WxHxD)		45x75x91mm	45x75x91mm	45x75x91mm	45x75x91mm	45x75x91mm	45x75x91mm	45x75x91mm	45x75x91mm	45x75x91mm
Weight		120g	120g	120g	120g	120g	120g	120g	120g	120g
Connection Terminals		Screw	Screw	Screw	Screw	Screw	Screw	Screw	Screw	Screw
Special Features		NEC Class 2	NEC Class 2		NEC Class 2					
List Price (USD)		\$125.00	\$125.00	\$125.00	\$125.00	\$125.00	\$125.00	\$125.00	\$125.00	\$125.00
Product Family		PISA	PISA	PISA	PISA	PISA	PISA	PISA	PISA	PISA
Catalog Number		PISA11.401	PISA11.402	PISA11.403	PISA11.CLASS2	PISA11.404	PISA11.406	PISA11.410	PISA11.203206	PISA11.206212