



**ALLIED  
MOULDED  
PRODUCTS, Inc.**

**YOUR TRUSTED SOURCE**  
NONMETALLIC ENCLOSURES & ACCESSORIES





## Molded-In Color Match Program

Molded-In Color Match Program for  
Fiberglass & Polycarbonate Enclosures

AM, AM-R, AMU & AMP Series

Allied Moulded can color match any Pantone® color swatch for your application needs. Listed in the chart to the right are the minimum order quantities for the available enclosures based on raw material requirements.



Part Number	Min. Qty	Part Number	Min. Qty
AM743 .....	650	AM2068(R).....	80
AM943 .....	600	AM24208R.....	75
AM664(R) .....	450	AM24200R.....	75
AM864(R) .....	350	AM24248R.....	75
AM1084(R) .....	275	AM24240R.....	75
AM1086(R).....	225	AM30248R.....	75
AM1206(R) .....	175	AM30240R.....	75
AM1224(R) .....	175	ULTRALINE®	
AM1226(R).....	175	(AMU) Series.....	500
AM1426(R) .....	150	*POLYLINE®	
AM1648(R) .....	100	(AMP) Series.....	500
AM1868(R).....	80	*Polycarbonate	
		material enclosures	

### Additional Modifications

Allied Moulded continues to push the boundaries and has worked hard to be your source for fast, no-hassle modifications. With complete modification services, the need for inconvenient secondary handling of your enclosure is eliminated, saving you time and money. In addition to the Stocked Color Program, Allied Moulded offers a variety of additional modification services, including:

- Custom Holes & Cutouts
- Polycarbonate Viewing Windows
- EMI/RFI Shielding
- Custom Printing
- Specialized Hardware
- Custom Panels

For more information on enclosure modifications, or to utilize our modification services on your enclosure project, call or email our customer service department today!



Custom Panels



Silk Screen Printing



Custom Holes & Cutouts



EMI/RFI Shielding

<b>Modifications   Specialty Products</b>	
Modifications Overview	2
Modifications Request Form	4
Choosing the Right Enclosure	5
Technical Specifications	6
Resources	9
<b>Standards</b>	
Industry Standards	10
Conformance to Industry Standards	10
International Standards	11
ULTRAGUARD® Material Formulation	12
The Fiberglass Advantage	14
Material Performance Comparison	15
<b>AM Series Fiberglass Enclosures</b>	
Features & Benefits	8
Small Junction Boxes	10
Pushbutton Enclosures	12
JIC Size Flat Cover Junction Boxes	14
<b>AM-R Series Fiberglass Enclosures</b>	
Features & Benefits	34
JIC Size Raised Cover Junction Boxes	36
<b>AMHD-R Heavy Duty Solar Battery Box</b>	
AMHD1860RLF	52
<b>Control Series Fiberglass Enclosures</b>	
Features & Benefits	54
Product Options	56
Control XL	64
<b>Empire Series Fiberglass Enclosures</b>	
Features & Benefits	66
Wall Mount	68
AMEC (Molded Fiberglass)	72
Freestanding Units	74
<b>ULTRALINE® AMU Series Fiberglass Enclosures</b>	
Features & Benefits	78
JIC Size Junction Boxes	80
<b>POLYLINE® AMP Series Polycarbonate Enclosures</b>	
Features & Benefits	110
JIC Size Junction Boxes	112
<b>Accessories</b>	
Back Panels	136
Hinged Front Panels	137
Inspection Windows	140
HMI Cover Kits	142
ULTRAPLUG® Hole Plugs	144
Pole Mount Kits	145
Keylock Kits	146
Pull-Type Handle	146
Print Pocket	147
Enclosure Vent Kits	147
Exhaust Filter Kits	147
Cord Grips	148
Accessory Kits (latches & mounting hardware)	149
<b>Index   Part Search</b>	
Index	150



# SPECIALTY PRODUCTS & MODIFICATIONS

Allied Moulded has worked hard to be your source for fast, no-hassle modifications. With complete modification services, the need for inconvenient secondary handling of your enclosure is eliminated, saving you time and money. Complete modification services include but are not limited to:

- Holes and cutouts
- Polycarbonate viewing windows
- EMI/RFI shielding
- Factory supplied custom printing
- Molded-in color matching

Because of our dedication to providing you with outstanding service, we have the lowest volume requirements on custom work in the industry and guarantee quick delivery, often in less than three weeks from receipt of your order!



Scan to learn more



## Computer-Controlled CNC

We incorporate computer controlled manufacturing equipment into our operation which assures that modifications such as specialty holes and cutouts are exact to your specifications each time you order.

## Custom Holes & Cutouts

Custom holes and cutouts allow for conduit entry or device mounting to meet the needs of any application. Application cutouts include:

- Pushbuttons
- Cable entry
- HMI components
- Viewport / viewing windows

## EMI/RFI Shielding

Electromagnetic waves generated by electronic devices may have a negative effect on other similar devices when used in close proximity to one another. These effects, called Electromagnetic Interference (EMI) and Radio Frequency Interference (RFI) may cause malfunctions in electronic devices.

EMI/RFI shielding provides high-level protection against electromagnetic and radio frequency interference.

## Custom Printing

Custom printing is a practical, professional way to identify corporate identity or enclosure function. Print business or device names, identify important component controls, or display important logos. We simplify the process and will accommodate your application requirements.

## Custom Color Matching

Modify your enclosures with custom colors, matched from a variety of specific Pantone or RAL numbers.

## Custom Panels

Available custom metal work includes holes and cutouts on either back and hinged front panels.

[www.alliedmoulded.com](http://www.alliedmoulded.com)

MODS

TECHNICAL

STANDARDS

ULTRAGUARD®

FIBERGLASS

AM SERIES

AM-R

AMHD-R

CONTROL

EMPIRE

ULTRALINE®

POLYLINE®

ACCESSORIES

INDEX

# SPECIALS & MODIFICATIONS REQUEST FORM

For modification orders, please photocopy and complete this form, then return to Allied Moulded via mail or fax to 419-636-2450.

Date: \_\_\_\_\_ Part Number: \_\_\_\_\_ Quantity: \_\_\_\_\_

Name: \_\_\_\_\_ Company: \_\_\_\_\_

Address: \_\_\_\_\_

City: \_\_\_\_\_ State: \_\_\_\_\_ Zip: \_\_\_\_\_

Email: \_\_\_\_\_ Phone: \_\_\_\_\_

## Size

H \_\_\_\_\_ x W \_\_\_\_\_ x D \_\_\_\_\_

## Cover

Flush     Raised     Screw cover     Hinged cover     Hinged on short side

## Latching Options

Snap latch     Twist latch     3-point

## Panels

Back panel required:  Yes     No    Size: H \_\_\_\_\_ x W \_\_\_\_\_  
Back panel material:  Carbon steel     Aluminum     Fiberglass     Galvannealed  
Hinge front panel required:  Yes     No  
Side Panel required:  Yes     No    Size: H \_\_\_\_\_ x W \_\_\_\_\_

## Windows

Window required:  Yes     No    Size: H \_\_\_\_\_ x W \_\_\_\_\_  
General location of window: \_\_\_\_\_

## Molded-In Color

Standard Grey     White     Orange  
 Blue     Black     Red  
 Yellow     Green  
Other (please specify): \_\_\_\_\_

## Other Modifications

Holes/Cutouts \_\_\_\_\_ Number; Location: \_\_\_\_\_  
 Custom Printing  
 EMI/RFI Shielding

## Additional Information/Notes

---

---



Scan to fill out our online modifications quote form!

**Submit request to:** Allied Moulded Products, Inc. Fax to: 800-237-7269  
For assistance or questions, call Allied Moulded at 800-722-2679 or visit [www.alliedmoulded.com](http://www.alliedmoulded.com).

# Choosing the right enclosure material for your application

Allied Moulded offers a variety of fiberglass reinforced polyester (FRP) and polycarbonate enclosures to fit your application requirements. We understand the type of enclosure is just as important to you, as it is to the protection of your equipment. We often receive questions about the best enclosure material to use. Material selection depends on several factors, including application, environment, price, aesthetics, and enclosure size.

## Application

The first thing to consider when purchasing an enclosure is the application location. Where will the enclosure be used? Whether the enclosure can be used indoors or outdoors can have a major impact on the type of enclosure that will best suit your needs. Fiberglass (FRP) enclosures are often used in outdoor applications due to excellent ratings in UV protection, aesthetic protection (from yellowing), and other factors, all while providing a cost-competitive alternative to stainless steel. Polycarbonate enclosures are a good alternative to carbon steel, offering a lightweight, impact-resistant solution for indoor and outdoor applications. Both enclosure options offer long-lasting protection to interior and exterior elements and provide the security required by the application.

## Chemical & Corrosion Resistance

Enclosures may be required in applications where hazardous chemicals or materials are present. Both materials offer protection against corrosive agents, with fiberglass (FRP) performing better in environments with solvents and strong alkalis. Typically, fiberglass (FRP) remains a good alternative to stainless steel, while polycarbonate remains a good alternative to carbon steel in harsh environments. Examples of corrosive environments may be waste water treatment plants, oil refineries, or livestock farms. Other factors such as dirt, dust, oil,

water, ice, and snow must also be taken into consideration. See the "Corrosion Resistance Guidelines" below for more detailed information. Visit [www.alliedmoulded.com](http://www.alliedmoulded.com) for a comprehensive corrosion resistance guide.

## Price

Whether you're looking for just a few, or a few hundred enclosures, price is often a determining factor when considering which enclosure type to purchase. Fiberglass (FRP) enclosures often cost more than polycarbonate enclosures, but both offer intrinsic value when compared to steel enclosures over time. Enclosure users should consider all factors when deciding if the enclosure material and price point they choose will last in all expected conditions.

## Aesthetics

We understand the way an enclosure looks is just as important as the way the enclosure performs. Engineers at Allied Moulded take pride in the development of aesthetically pleasing enclosures, while maintaining all required NEMA ratings. All fiberglass (FRP) and polycarbonate enclosures come in the standard RAL 7035 light gray color.

## Sizing

The size of your enclosure is often important to your particular project, therefore sizing becomes a factor in the type of material to use. Allied Moulded polycarbonate enclosures are currently available up through an 20" size, thus if a larger enclosure is needed, a fiberglass (FRP), molded, or RTM enclosure material may be required.

*See pages 12 and 13 for additional performance comparison of enclosure materials.*

## Corrosion Resistance Guidelines

	Solvents	Alkalis	Mild Acids
Examples	Cleaning Solvents Carbon Tetrachloride Isopropyl Alcohol Perchloroethylene Toluene Xylene	Ammonium Chloride Ammonium Nitrate Calcium Hydroxide Calcium Hypochlorite Magnesium Hydroxide Sodium Hypochlorite	Aluminum Chloride Boric Acid Calcium Chloride Potassium Nitrate Sea Water Sodium Nitrate Zinc Chloride
Recommended	304 SS 316 SS Compression Fiberglass Aluminum	304 SS 316 SS	Compression Fiberglass Gelcoat Fiberglass Polycarbonate 304 SS 316 SS
Satisfactory	Painted Carbon Steel Gelcoat Fiberglass	Polycarbonate Gelcoat Fiberglass Compression Fiberglass	Painted Carbon Steel
Limited Use	Polycarbonate	Painted Carbon Steel Aluminum	Aluminum

Note: This chart is only intended to be used as a general guideline for applying "typical" metal and nonmetal enclosures in chemical environments. Allied Moulded Products, Inc. recommends specific material compatibility tests for the most accurate application of enclosures. Please contact Allied Moulded customer service for specific requirements.

## Physical Properties of Nonmetallic Enclosures

Materials Typical Properties	ASTM Test Method	Molded Polyester Fiberglass (SMC)	RTM Molded Polyester Fiberglass	Hand Lay-up Molded Polyester Fiberglass	Polycarbonate
Falling Dart Impact (lb - in)		300	500	450	600
Impact Strength (ft-lb/in) (Notched Izod)	D 256	15	30	30	12
IK Impact Rating (Joules)	IEC 62262	>10	>10	>10	>10
Flexural Strength (psi)	D 790	25,000	33,400	33,400	13,000
Tensile Strength (psi)	D 638	14,000	22,000	22,000	9,000
Compressive Strength (psi)	D 695	28,000	24,900	24,900	11,000
Water Absorption (%)	D 570	0.15	0.25	0.25	0.25
Specific Gravity	D 792	1.75	1.65	1.65	1.20
Shrinkage (in/in)	D 955	0.0016	0.0015	0.0015	0.007
Hardness (Barcol-Rockwell M-Shore A)	D 2583	60	62	62.5	75
Elongation (%)	D 638	2.05	2.07	2.07	7.00
Dielectric Strength (kV/in)	D 149	400	380	380	732
Arc Resistance (sec)	D 495	>180	188	>200	117
Flammability	UL 94	5VA	V-0	V-0	V-0
Heat Deflection (°F at 264 psi)	D 648	>500	428	428	266
Service Temperature (°F)		-40°F to 266°F	-40°F to 266°F	-40°F to 266°F	-31°F to 266°F
K Factor, Thermal Conductivity (BTU/hr/ft <sup>2</sup> /°F)	D 1269E	1.68	1.68	1.68	1.25
Thermal Expansion (10 <sup>-6</sup> in/in °F)	D 696	20	14	12	36
UV Rating	UL 746C	(f1)	(f1)	(f1)	(f1)
FIP Gasket Rating		-31°F to 190°F	-31°F to 190°F	-31°F to 190°F	-31°F to 190°F

## NEMA Type 4X Enclosures

An enclosure is a housing constructed to provide a degree of protection from accidental contact with the enclosed equipment and external environmental conditions. Electrical enclosures are available in metal and nonmetal options.

Standardizing enclosure performance is accomplished by use of rating systems of various organizations (NEMA, UL, and IEC) identifying an enclosure's ability to resist external environmental influences. These ratings have distinct differences even though they are intended to provide information in order to make a safer and informed product choice.

## MATERIALS

### Fiberglass Reinforced Polyester (FRP) Enclosures

All FRP enclosures are listed under UL 50, UL 50E, and UL 508A standards. This type of enclosure is suitable for both indoor and outdoor use in corrosive environments and is resistant to UV degradation. Fiberglass (FRP) material shall meet UL 746C requirements with halogen-free and self-extinguishing characteristics.

Enclosures are constructed using a hot molded process using Allied Moulded's proprietary ULTRAGUARD® material formulation, with a minimum of 20% fiberglass by weight. Fiberglass reinforced polyester exhibits high impact resistance, a superior range of temperature limits, excellent dimensional stability, excellent electrical properties, and excellent moisture and overall chemical resistance.

A cold molded hand lay-up gel-coat fiberglass process and/or resin transfer mold (RTM) process, may be used for larger cabinets, and has a high impact tolerance, with excellent overall strength.

### Polycarbonate Enclosures

All polycarbonate enclosures are listed under UL 50, UL 50E and UL 508A standards. This type of enclosure is suitable for both indoor and outdoor use in corrosive environments and is resistant to UV degradation. Polycarbonate material shall meet UL 746C requirements with halogen-free and self-extinguishing characteristics.

Enclosure is constructed with an injection molded polycarbonate thermoplastic material. Polycarbonate material exhibits an acceptable UV rating, along with minimal shrinkage, and excellent stress rating.

## ALLIED ADVANTAGES

- Any external metal parts shall be 316 stainless steel. NEMA Type 4X enclosures are fabricated and rated specifically for resistance to corrosive elements.
- Advantages of nonmetallic enclosures:
  - (1) Unlike metals, fiberglass reinforced polyester (FRP) and polycarbonate are non-corrosive.
  - (2) Enclosures are very similar, thus they require little maintenance.
  - (3) Due to their light weight, nonmetallic enclosures can be very easily handled, installed and modified.
- Fiberglass reinforced polyester (FRP) and polycarbonate enclosures are the material of choice in applications where physical strength and excellent corrosion resistance is required.

CONTINUED ON PAGE 147



- Junction and Control enclosures may have either screw, hinged or latched covers. All cover screws and hardware; including hinges, latches and mounting feet are constructed of 316 stainless steel material. Gasket system shall be a Formed-In-Place (FIP) polyurethane for toughness and resistance to tear while maintaining a NEMA 4X and IP66 seal. All gaskets are seated in a molded channel and not glued or poured onto a flat cover surface.
- Cabinets and larger style enclosures are always provided with hinged doors. The closure systems on these cabinets

will either be a three point latching system or stainless steel twist-turn type latches. Door closure systems using a single external handle will also have three internal latch points. This handle may be key lockable or pad lockable. When using the alternative closure method of external stainless steel twist turn latches, no more than four latches shall be required to maintain NEMA Type 4X integrity. At least one latch must have a padlock provision.

## 316 Stainless Steel Hardware

### 316 Stainless Steel Hardware Standard for all Enclosures

Allied Moulded understands that not all stainless steel hardware is created equally. To endure harsh environments, a robust nonmetallic enclosure must also utilize hardware that exhibits the same corrosion-resistant properties. Many enclosure manufacturers have standardized the use of 300 series stainless steel hardware in their products, with 304 stainless steel being the most common. Allied Moulded has made the use of 316 stainless steel standard for all of its enclosure products' external hardware.

### What is Stainless Steel?

According to the Specialty Steel Industry of North America (SSINA)<sup>1</sup>, the term stainless steel applies to a group of iron based alloys containing a minimum 10.5% chromium. Other elements are added to the alloys to make different grades of stainless steel. There are many different grades that have varying corrosion resistance and other properties based on the ratio of elements used in the alloy. There are more than 50 grades of stainless steel.

### Corrosion Resistant Properties

The science behind the corrosion resistant properties of the various grades of stainless steel lies in the mixture and ratios of the different elements contained in the alloys. The chromium contained in the mixture alters the oxidation process that would make raw iron rust. Instead, the chromium forms a protective layer on the surface that resists oxidation. The added nickel (Grade 304 and 316) enhances this resistance. Alloys are made even stronger by the addition of molybdenum (Grade 316), which are used in applications where acetic, sulfuric and sulfurous acids may be present.

### Grade 304

Grade 304 is considered the basic stainless steel alloy. It is made up of 10% chromium and 8% nickel. As previously mentioned, it is the most common of the 300 series alloys. It has good corrosion

resistance properties in most applications.

### Grade 316

Grade 316 also contains chromium (18%) and nickel (10%); however, it also contains at least 2% molybdenum. The addition of this element significantly increases its pitting and corrosion resistance properties, specifically with regard to chloride (salt) pollutants, which are found in coastal areas and de-icing applications, and potash which is found in agricultural fertilizer and chemical manufacturing. It also has wide application in water/waste water treatment plants, pulp and paper mills, and other environments with aggressive corrosive agents.



## FIP Gasket System

Allied Moulded's automated Formed-In-Place (FIP) polyurethane gasket system was designed to replace cord gaskets and is applied directly to the enclosure cover in a continuous channel. The new gasket provides protection from outdoor elements such as dirt, dust, oil, and water while providing a reliable seal from cover to base. The gasket will adhere to a variety of surfaces and cover finishes, allowing for a better seal and overall protection for your most critical electrical components.



## EMI/RFI Specifications

- Standards governing electromagnetic compatibility commonly refer to EMI/RFI, or electromagnetic interference/radio frequency interference.
- Applicable standards used are based on MIL-STD-285 to perform attenuation measurements of EMI/RFI shielded enclosures. The applicable North American standards for the overall assembly, including internal electronics, can vary with the application in which the product is intended to be installed.
- For a complete list of applicable standards, your local testing authority (for example, UL, CSA) should be contacted.
- Such interference is caused by stray voltages and/or currents coupling between electronic systems creating undesirable effects. These undesirable effects can vary between a brief annoyance, to more serious situations, such as a phone interfering with the controls of a machine tool. With the increased emphasis on electronic technology, electromagnetic interference/radio frequency interference is a growing concern.
- Electromagnetic pulses (EMPS) may adversely affect electronic and other control systems. These disturbances may cause erratic operation, and either component failure or a reduction in component life.
- Allied Moulded can provide custom EMI/RFI shielded enclosures to meet many applications. Requests for EMI/RFI shielded enclosures should be directed to the Allied Moulded customer support group.

## Properties

Shielding Material.....Copper Conductive Coating  
Attenuation ..... 75 dB

## Sheet Resistance <.025 Ohms/Square @ 2 Mil Thick

The probes of an ohmmeter shall be placed on any area of the surface and the measured resistance shall not exceed .025 ohms.

## Attenuation 75 dB

A measure of the shielding effectiveness shall be confirmed by an EMI/RFI test. Actual test data confirmed an average attenuation of 75 dB over the frequency range from .01 to 1000 Mhz.

## MIL.SPEC>285

MIL.SPEC>285 is used as a general EMI/RFI test guide. A transmitting antenna is placed inside the enclosure and a receiving antenna is positioned outside. The attenuation is the dB difference between the enclosure OPEN and CLOSE FR power levels.

## Weathering/UV Information

Allied Moulded's FRP enclosures are hot molded using Allied Moulded's proprietary ULTRAGUARD® material formulation. All products of this type, regardless of manufacturer, are exposed to erosion when used outdoors. Due to the combined effects of environmental elements such as rain, wind and UV rays, the polyester matrix is only superficially eroded and as glass fibers become apparent, the degree of the erosion is microscopic. Please note that this superficial erosion has no effect on the physical characteristics of the enclosure whether electrical, mechanical or chemical. The slight erosion can be avoided if a surface coating such as varnish is applied.

Allied Moulded's fiberglass enclosures have been successfully used outdoors and tests on field samples support above results. (F1 rated material—suitable for outdoor use)

## Painting Information

Good surface preparation is critical in painting fiberglass enclosures, since the mold release agents must be removed before painting. It is recommended that the surface be roughed by lightly rubbing with sandpaper before applying the proper primer. Degreasing the surface with an organic solvent such as alcohol or other domestic cleaning agent is required. The surface must be clean and dry prior to applying the appropriate primer and top coat (polyurethane or epoxy).

\*Should you feel the need to paint polycarbonate enclosures, please check for compatibility as polycarbonate material can be attacked by industrial solvents.

Allied Moulded has the capabilities to custom mold color matches specific to your requirements.

## Heat Dissipation

Information available upon request.

# Reduce Arc Flash Safety Hazards

## What is Arc Flash?

Arc flash explosion is often referred to as a flash of electrical current leaving its intended path, traveling from one conductor to another. Arc flash can be caused by dust, corrosion, faulty installation, condensation, and many other factors. Blast pressures can reach upwards of 2,000 lbs. / sq. ft, reach sounds of up to 140 dB, and high temperatures of up to 35,000 degrees F.

## What are we doing to help?

Allied Moulded wants to ensure the safe and proper use of enclosures, and to reduce the risk and eliminate damages caused by arc flash. Our engineers developed accessories to meet these requirements when an enclosure must be accessed for maintenance or monitoring. Often, enclosures are opened to check equipment, read gauges, or perform preventive maintenance. The use of Allied Moulded's HMI Cover Kits and Inspection Windows reduces the risk of arc flash. The use of these products allows access to components without opening the enclosure.

## CSA Ratings

[www.csagroup.org](http://www.csagroup.org)

The CSA Group is recognized and accredited in the U.S. by the U.S. Occupational Safety and Health Administration (OSHA), which lists them as a Nationally Recognized Testing Laboratory (NRTL), enabling tests on products against the U.S. standards written or administered by organizations including the American National Standards Institute (ANSI), Underwriters Laboratories (UL), CSA Group (CSA), NSF International (NSF) and other organizations. The CSA mark shows your products have been certified by an accredited third party lab and have met applicable standards as required by North American law.

## National Fire Protection Association (NFPA)

[www.nfpa.org](http://www.nfpa.org)

NFPA is a global, nonprofit organization devoted to eliminating death, injury, property and economic loss due to fire, electrical and related hazards. The association delivers information and knowledge through more than 300 consensus codes and standards, research, training, education, outreach and advocacy; and by partnering with others who share an interest in furthering the NFPA mission.

## National Association of Electrical Distributors (NAED)

[www.naed.org](http://www.naed.org)

The National Association of Electrical Distributors (NAED) is the voice of the electrical distributor. They provide members with the best tools, information and assistance to help them thrive and improve the electrical distribution channel.

## IEC Ratings

[www.iec.ch](http://www.iec.ch)

The international Electrotechnical Commission (IEC) standards organization prepares and publishes International Standards for all electrical, electronic and related technologies. IEC standards cover a vast range of technologies from power generation, transmission and distribution to home appliances and office equipment, semiconductors, fibre optics, batteries, solar energy, nanotechnology and marine energy as well as many others.

## RoHS

[www.rohsguide.com](http://www.rohsguide.com)

Restriction of Hazardous Substances (RoHS), also known as Directive 2002/95/EC, originated in the European Union and restricts the use of specific hazardous materials found in electrical and electronic products.

## NEMA Ratings

[www.nema.org](http://www.nema.org)

The National Electrical Manufacturers Association (NEMA) defines standards for various grades of electrical enclosures typically used in industrial applications. Each is rated to protect against personal access to hazardous parts, and additional type-dependent designated environmental conditions. A typical NEMA rated enclosure may be rated to protect from hazards such as water, dirt, dust, oil, or chemicals, and may be rated for indoor or outdoor applications.

## UL Ratings

[www.ul.com](http://www.ul.com)

UL certifies, validates, tests, inspects, audits, advises, and trains. UL provides the knowledge and expertise to help customers navigate growing complexities across the supply chain from compliance and regulatory issues to trade challenges and market access. In this way, UL facilitates global trade and delivers peace of mind.

## UL's Online Certifications Directory

You can use the UL Online Certification Directory to:

- Verify a UL Listing, Classification, or Recognition
- Verify a UL Listed product use
- Verify a UL Recognized component use
- Verify a product safety standard

## UL Certified Test Lab

Underwriters Laboratories® (UL) partners with manufacturers to provide safe products to consumers through UL testing, certification and follow-up audits. UL's Data Acceptance Program (DAP) provides a means for UL to accept externally generated test data in support of UL Mark certification. Product investigations by UL typically involve testing of product samples. While UL maintains extensive test facilities, customers can also utilize their own or third-party facilities for product testing via UL's DAP.

Participating test facilities are required to have the appropriate physical resources, equipment and qualified personnel needed to conduct testing, equivalent to what would be used in UL's own laboratories for the same testing. UL offers five different types of data acceptance programs. Allied Moulded Products, Inc. is certified through the Client Test Data Program (CTDP).

After a data acceptance program is established, UL will reassess a test laboratory annually. All data submitted is thoroughly reviewed and audited by UL before being used for certification.



## Enclosure Ratings

In order to assist in the selection of an enclosure, rating classifications have been established by the National Electrical Manufacturers Association (NEMA). These ratings identify the ability of the enclosure to provide a degree of protection against incidental contact with the enclosed equipment and protection to the enclosed equipment from environmental elements such as dirt, dust, water and other corrosive agents. Underwriters Laboratories (UL) are a widely recognized testing organization that perform enclosure product testing to these standards and provide regular follow up service to ensure that manufacturers conform to established product and manufacturing specifications.

These ratings, however, are intended to be used only as a guide. To ensure a proper choice, it is recommended that an assessment of the application and environment be conducted before product selection.

ENCLOSURE RATINGS	
Enclosure Rating	
<b>NEMA Type 1</b>	Indoor use to provide a degree of protection against falling dirt.
<b>NEMA Type 2</b>	Indoor use to provide a degree of protection against limited amounts of falling water and dirt.
<b>NEMA Type 3</b>	Indoor or outdoor use to provide a degree of protection against falling dirt, rain, sleet, snow and wind-blown dust; and that will be undamaged by the external formation of ice on the enclosure.
<b>NEMA Type 3R</b>	Indoor or outdoor use to provide a degree of protection against falling dirt, rain, sleet and snow; and that will be undamaged by the external formation of ice on the enclosure.
<b>NEMA Type 4</b>	Indoor or outdoor use to provide a degree of protection against falling dirt, rain, sleet, snow, windblown dust, splashing water, hose-directed water; and that will be undamaged by the external formation of ice on the enclosure.
<b>NEMA Type 4X</b>	Indoor or outdoor use to provide a degree of protection against falling dirt, rain, sleet, snow, windblown dust, splashing water, hose-directed water and corrosion; and that will be undamaged by the external formation of ice on the enclosure.
<b>NEMA Type 6P</b>	Indoor or outdoor use primarily to provide a degree of protection against the entry of water during occasional temporary submersion at a limited depth.
<b>NEMA Type 12</b>	Indoor use to provide a degree of protection against falling dirt; circulating dust, lint, fibers and flyings; and dripping and light splashing of liquids.
<b>NEMA Type 13</b>	Indoor use to provide a degree of protection against falling dirt; circulating dust, lint, fibers and flyings; and spraying and seepage of water, oil and non-corrosive coolants.

## Conformance To Industry Standards

Industrial enclosures manufactured by Allied Moulded Products and bearing the UL labels have been tested and certified to the following standards:

- UL 50..... Enclosures For Electrical Equipment
- UL 50E ..... Enclosures For Electrical Equipment, Environmental Considerations
- UL 508A..... Industrial Control Panels
- UL 746C..... Polymeric Materials – Use In electrical Equipment Evaluations
- CAN..... Special Purpose Enclosures

*Allied Moulded Products enclosures series AMU, AM, AMP and AM-R maximum size 30 x 24 x 10 are certified:*

- UL Types 1, 2, 3, 3R, 4, 4X, 12, and 13
- NEMA Types 1, 2, 3, 3R, 4, 4X, 12 and 13

AMP, AM and AM-R JIC flat and raised cover models sizes 14" x 12" x 6" and smaller (excluding AM743 and AM943) and all AMU models utilizing covers secured with four mounting screws (excluding window covers) are UL listed Type 6P.

*Allied Moulded Products enclosures series AM sizes 36 x 30 x 12 and larger are certified:*

- UL Types 1, 4, and 4X
- NEMA Types 1, 4, and 4X

AM, AMP and AMU series meet IEC60529 Type IP66. Models rated NEMA 6P meet IEC60529 Type IP68 submersible up to 24 hours at a depth of 6 feet (1.8meters)

# International Standards IP Protection Classification Data

The first digit character represents the degree of protection against a person's contact with live parts and the protection of the equipment against the ingress of solid foreign bodies. The second digit represents the degree of protection against the ingress of liquids. Both of these values are represented in ascending value with the larger number equaling the greatest protection.

FIRST DIGIT		SECOND DIGIT	
IP	Test	IP	Test
0	No protection	0	No protection
1	Protection against solid bodies larger than 50mm (for example accidentally touching with the hand)	1	Protection against vertical water drops and condensation
2	Protection against solid bodies larger than 12mm (for example a finger)	2	Protection against water drops up to 15° from the vertical
3	Protection against solid bodies larger than 2.5mm (tools, wires)	3	Protection against rain up to 80° from the vertical
4	Protection against solid bodies larger than 1mm (tools, wires)	4	Protected against water splashing from a hose from all directions
5	Protection against dust (no harmful deposits)	5	Protected against water sprayed from a hose in all directions
6	Complete protection against dust	6	Protected against powerful water jets
		7	Protected against the effects of immersion
		8	Protected against the effects of prolonged immersion under pressure

## General Enclosure Specifying Guidelines

	304 SS	316 SS	Painted CS	Polycarbonate	FRP	Gelcoat FRP	Custom PVC
Cost	4	5	1	2	3	4	4
Weight	5	5	5	2	3	3	2
Impact (flex)	N/A	N/A	N/A	4	3	3	2
Flex Strength (rigidity)	N/A	N/A	N/A	13,000 psi	23,000 psi	33,400 psi	10,500 psi
MFG Process Type	Fabricated sheet	Fabricated sheet	Fabricated sheet	Injection Mold	Compression Mold	Open Mold	Fabricated Sheet
Size Limits	Custom NL	Custom NL	Custom NL	up to 20" Max	up to 36" max	36" up to 90"	Custom NL
Outdoor Corrosion (rating)	NEMA 4	NEMA 4X	NEMA 4	NEMA 4X	NEMA 4X	NEMA 4X	NEMA 4

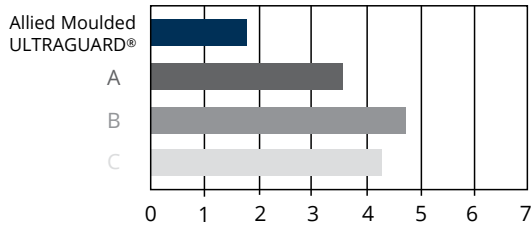
Note: Those categories containing rating numbers are based on 1 as low and 5 as high.

ULTRAGUARD® is Allied Moulded’s proprietary fiberglass reinforced polyester (FRP) material formulation. Our **Materials Research and Development** laboratory successfully optimized ingredients to create a formulation with the ability to resist the effects of UV degradation. The formulation was developed through the effective use of UV absorbers that provide protection by physically absorbing light in specific ranges of wavelengths, HALS (Hindered Amine Light Stabilizers), and antioxidants. Together, all three classes of stabilizers provide specific protection to modes of failure associated with outdoor exposure.

## ULTRAGUARD® Versus The Competition

Allied Moulded’s ULTRAGUARD formulation outperformed materials used by three leading fiberglass enclosure manufacturers. The following four key areas were benchmarked, with ULTRAGUARD easily coming out on top:

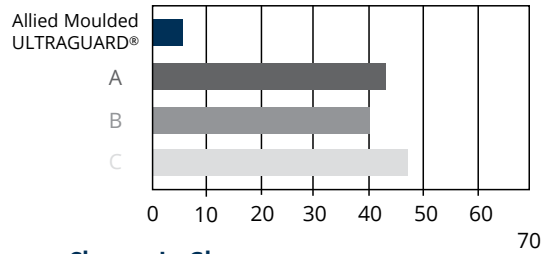
### Yellowing



#### Yellowing

- Delta b change from original
- 48-60% improvement over leading competitive enclosure manufacturers

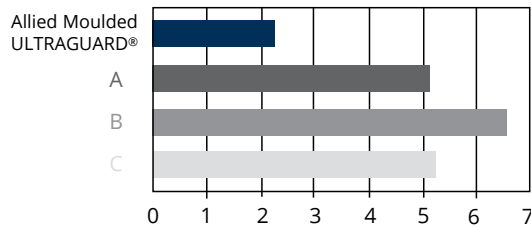
### Change in Gloss



#### Change In Gloss

- Percent (%) change from original
- 76-80% improvement over leading competitive enclosure manufacturers

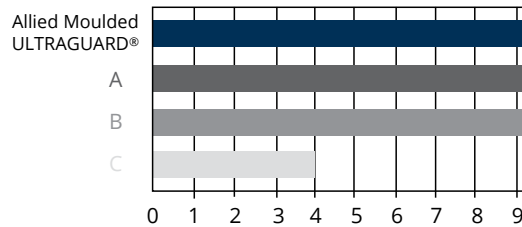
### Discoloration



#### Discoloration

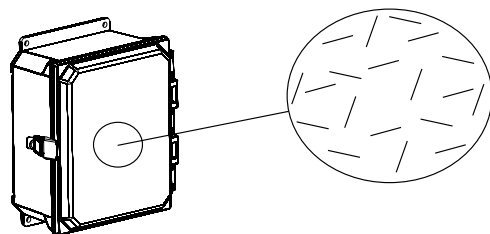
- Delta E change from original
- 56-68% improvement over leading competitive enclosure manufacturers

### Fiberbloom Resistance



#### Fiberbloom resistance

- Change in aesthetics and texture
- 60% improvement over one competitor
- Equivalent results compared to two remaining competitors

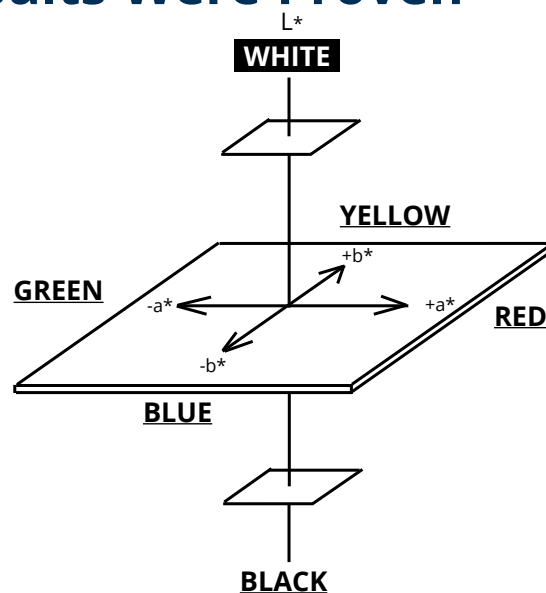


# ULTRAGUARD® - How It Benefits Customers

Allied Moulded's ULTRAGUARD formulation, while retaining its already robust structural integrity, has an enhanced surface finish with improved aesthetics. Based upon customer feedback, Allied Moulded recognized an increased number of customer applications requiring outdoor capability and the related challenges to nonmetallic enclosure designs. This is why Allied Moulded chooses to invest in continuous improvement of our material formulations. Customer applications often require enclosures to be mounted on expensive systems where aesthetic appearance is critical. Changes in enclosure color, texture, and gloss in these applications are not acceptable. Fiberbloom, for example, not only is aesthetically unattractive, but can also be a safety issue if people come in physical contact with the enclosure surface. Literally defined, fiberbloom is degradation of the polyester compound surface during long-term outdoor exposure, resulting in the eventual exposure of glass fibers. Fiberbloom does not affect the structural integrity or NEMA rating of the enclosures.

## ULTRAGUARD® - How The Results Were Proven

Allied Moulded's Materials R&D lab team accepted the continuous improvement project challenge of finding a synergistic combination of compounds that would improve material resistance to color change, gloss change, surface degradation, and exposure of surface glass particles. Our team successfully met the challenge of maintaining standard material characteristics: UL 94 5VA flame test standards and RoHS directive (Restriction of Hazardous Substances). The formulation does not contain antimony or halogens, which reduce the risk of smoke borne toxicity. Allied Moulded's research and development lab replaced subjective test results found in normal field testing with objective test results that were achieved with industry accepted lab equipment. Internal lab tests and outsourced, third-party, independent lab testing (by QUV Weathers Research Service) was conducted with a QUV accelerated weathering tester. Gloss readings were recorded using a BYK Micro Tri-Gloss machine and color data was recorded using a Hunter Lab ColorQuest sphere instrument. All test results were obtained and reported per ASTM and ISO standards.



L\* a\* b\* Color Space - Instrumental color readings utilize three numbers to describe a color baseline.

## ULTRAGUARD® - Versus Steel Enclosures

There are many factors to consider when choosing an enclosure. Nonmetallic enclosures have proven to be a great alternative to steel enclosures in harsh environment applications. Properties that make the ULTRAGUARD FRP enclosures a prominent solution include their light weight, non-corrosive nature, ease of modification, resistance to dents, and inherent protection of seal integrity.



Scan to learn more





# THE FIBERGLASS ADVANTAGE

## FIBERGLASS REINFORCED POLYESTER (FRP)

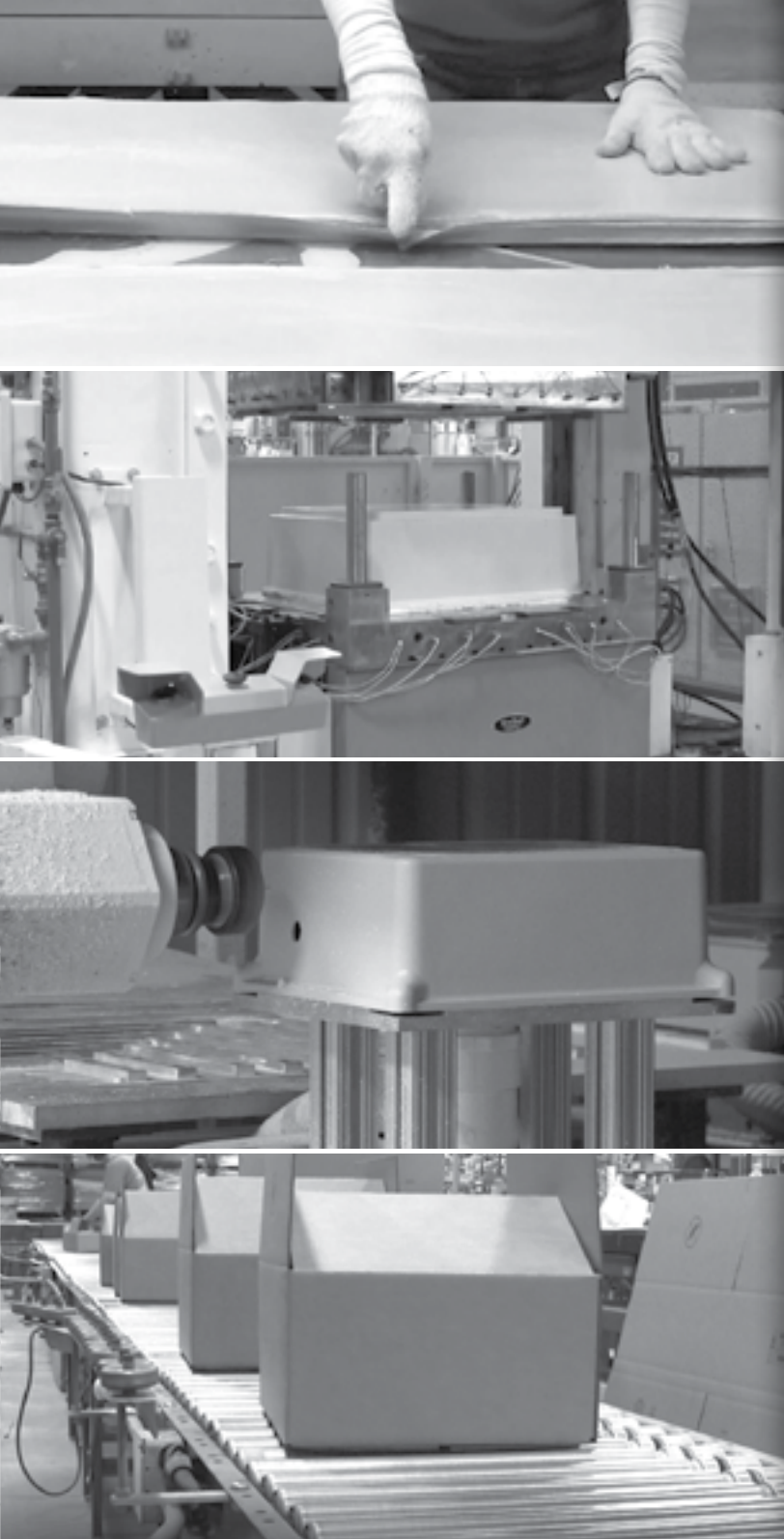
### The Superior Enclosure Material

Allied Moulded fiberglass enclosures are fabricated from our own proprietary ULTRAGUARD® formulation. This material provides superior performance and protective properties in a wide variety of environments.

### Beyond Meeting Standards to Exceeding Expectations

Of course, Allied Moulded fiberglass enclosures are designed and regularly tested to meet stringent UL® but we don't stop there. Our full line of corrosion-resistant, maintenance-free fiberglass enclosures is designed to provide optimum protection in the harshest environments, from water treatment facilities and irrigation systems to oil refineries and chemical processing plants.





# OUTPERFORMING THE ALTERNATIVES

Fiberglass reinforced polyester (FRP) offers significant benefits over metal enclosures such as carbon and stainless steel.

Compare them and you'll discover that fiberglass reinforced polyester enclosures are:

- Lighter and easier to handle
- Strong enough to hold up under extreme conditions
- Equal to stainless steel in corrosion and chemical resistance, and far better than carbon steel
- Non-conductive—an electrical insulator rather than electrical conductor
- Much easier to punch, drill or saw
- Less expensive to ship

Allied Moulded enclosures also outperform other nonmetallic alternatives in areas such as:

- Chemical resistance
- Protection against degradation due to UV exposure
- Resistance to extreme temperatures
- Flame retardant properties

*Take the time to compare the cost, quality and performance of our fiberglass reinforced polyester products and you'll see why we say Allied Moulded has the superior enclosure solutions.*

Performance Comparison of Enclosure Materials

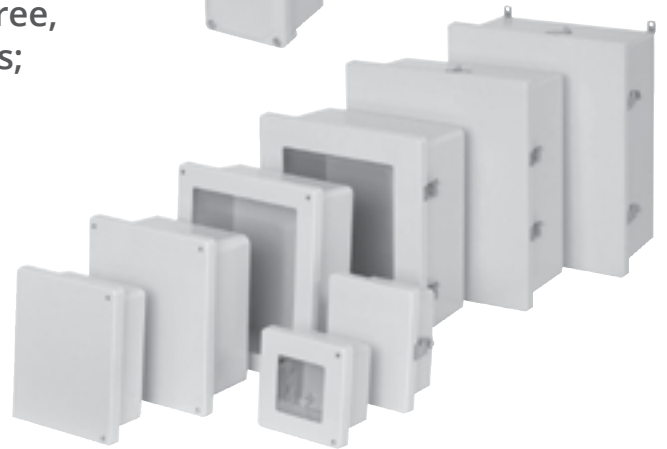
	Fiberglass	Stainless Steel	Carbon Steel	PVC	Polycarbonate
Corrosive Resistance	Excellent	Excellent	Poor	Excellent	Fair
Chemical Resistance	Excellent	Excellent	Poor	Very Good	Good
Relative Cost	Low	High	Low to Moderate	Low	Low to Moderate
Drilling, Punching & Cutting	Very Easy	Extremely Hard	Hard	Very Easy	Easy
Dielectric Strength	Electrical Insulator	Electrical Conductor	Electrical Conductor	Electrical Insulator	Electrical Insulator
Weight	Light	Heavy	Heavy	Light	Light



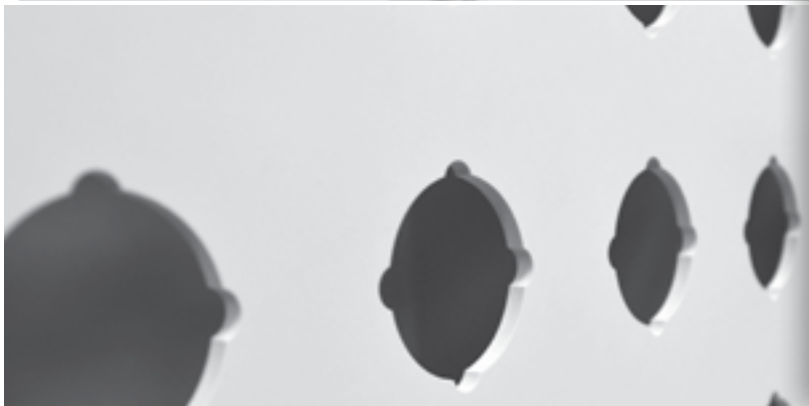
# AM SERIES FIBERGLASS

AM Series boxes are designed to insulate and protect controls and components in both indoor and outdoor applications and are especially well suited for high temperature or corrosive environments. They feature flat covers with a variety of latching options that allow you to provide the level of security and ease of access needed for each application.

The AM Series offers a wide variety of sizes and configurations including small junction boxes; inline pushbutton enclosures in one, two, three, or four-hole configurations and two hole sizes; and standard JIC size enclosures.



Scan to learn more



## AM Series Features & Benefits

- Molded ULTRAGUARD® fiberglass reinforced polyester (FRP) material construction for durability
- Continuous 316 stainless steel hinge
- Formed-In-Place (FIP) polyurethane gasket system
- Matching flat cover
- 316 stainless steel hardware and mounting feet
- Mounting panel inserts for optional back panel
- UV stabilized for outdoor use

## AM Series Specifications

- Non-corrosive
- Non-conductive
- Standard RAL 7035 light gray color
- Temperature-resistant
- Fire-resistant
- Rated NEMA 1, 2, 3, 3R, 4, 4X, 12, 13
- UL® listed
- Compliant with RoHS directive

## Accessories

- ULTRAPLUG® hole plugs
- Pole mount kits
- HMI cover kits
- Inspection windows
- UV resistant polycarbonate viewing windows

## Modifications

We are pleased to modify any of our standard products to fit your needs with:

- Custom holes and cutouts
- Custom size polycarbonate viewing windows
- Molded-in color matching
- Hinge installed on short side
- EMI/RFI shielding
- Factory-supplied custom printing

*For complete details on factory modifications including a modification request form, see pages 1-3.*

[www.alliedmoulded.com](http://www.alliedmoulded.com)

MODS

TECHNICAL

STANDARDS

ULTRAGUARD®

FIBERGLASS

AM SERIES

AM-R

AMHD-R

CONTROL

EMPIRE

ULTRALINE®

POLYLINE®

ACCESSORIES

INDEX

## AM Series

### SMALL JUNCTION BOXES

#### Cover Type

Solid/Opaque

#### Closure Type

Lift-Off Screw Cover



#### Application

Designed for use as electrical junction boxes, terminal wiring boxes, instrumentation housings, and electrical control enclosures

- Especially well suited for high temperature or corrosive environments
- Protects from dirt, dust, oil and water
- For use with industrial control equipment

#### Standards

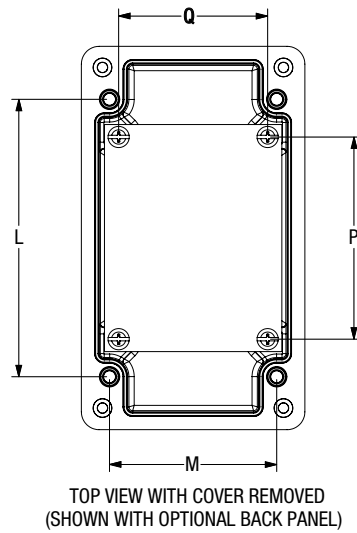
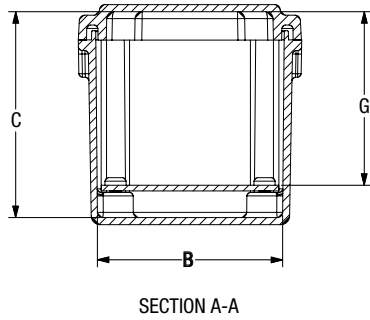
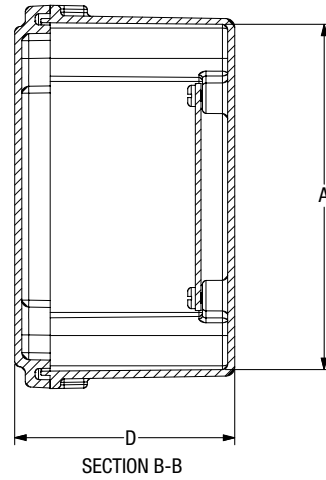
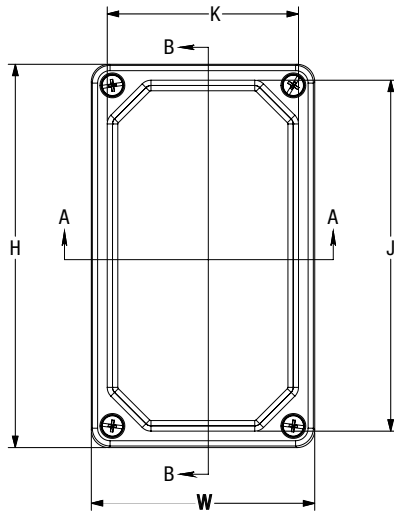
- UL 50 and UL 50E Types 1, 2, 3, 3R, 4, 4X, 12 and 13
- Complies with:
  - NEMA Types 1, 2, 3, 3R, 4, 4X, 12 and 13
  - IEC 60529 Type IP66
  - RoHS directive

#### Construction

- Rugged, molded ULTRAGUARD® fiberglass reinforced polyester material construction with reinforced corners
- Two sizes: 7"x4"x3" and 9"x4"x3"
- 316 stainless steel captive cover screws
- Formed-In-Place (FIP) polyurethane gasket system encased in continuous channel
- 316 stainless steel wall mounting feet with 10-32 stainless steel screws included
- #10-32 threaded brass inserts for optional back panel installation
- UV stabilized for outdoor use

#### Accessories & Modifications

- Custom holes & cutouts
- Custom size polycarbonate viewing windows
- Molded-in color matching
- EMI/RFI shielding
- Factory-supplied custom printing



\*Nom. Wall Thickness: .125 (3.2mm)

Part No.	Overall			Inside				Panel Sizes			Panel Sizes					
	H	W	D	A	B	C	G	Ht.	Wid.	P/N	J	K	L	M	P	Q
AM743	6.74	3.95	3.88	6.01	3.26	3.63	3.08	4.00	3.13	PA74 PF74	6.13	3.31	4.89	2.95	3.56	2.63
	171mm	100mm	98mm	153mm	83mm	92mm	78mm	102mm	80mm		156mm	84mm	124mm	75mm	90mm	67mm
*AM743SF	6.74	3.95	3.88	6.01	3.26	3.63	3.08	4.00	3.13	PA74 PF74	6.13	3.31	4.89	2.95	3.56	2.63
	171mm	100mm	98mm	153mm	83mm	92mm	78mm	102mm	80mm		156mm	84mm	124mm	75mm	90mm	67mm
AM943	8.99	3.93	3.88	8.26	3.26	3.63	3.08	6.25	3.13	PA94 PF94	8.31	3.31	7.13	2.94	5.81	2.63
	228mm	100mm	98mm	210mm	83mm	92mm	78mm	159mm	80mm		211mm	84mm	181mm	75mm	148mm	67mm
*AM943SF	8.99	3.93	3.88	8.26	3.26	3.63	3.08	6.25	3.13	PA94 PF94	8.31	3.31	7.13	2.94	5.81	2.63
	228mm	100mm	98mm	210mm	83mm	92mm	78mm	159mm	80mm		211mm	84mm	181mm	75mm	148mm	67mm

All dimensions are in inches unless otherwise noted

Data subject to change without notice

\*Available with or without stainless steel mounting feet. Suffix "SF" denotes box without mounting feet.



## AM Series PUSHBUTTON ENCLOSURES

### Cover Type

Solid/Opaque

### Closure Type

Inline Lift-Off Screw Cover



### Application

Designed to insulate and house pushbuttons and switches in applications that require a human-machine interface

- Especially well suited for high temperature or corrosive environments
- Protects from dirt, dust, oil and water
- For use with industrial control equipment

### Standards

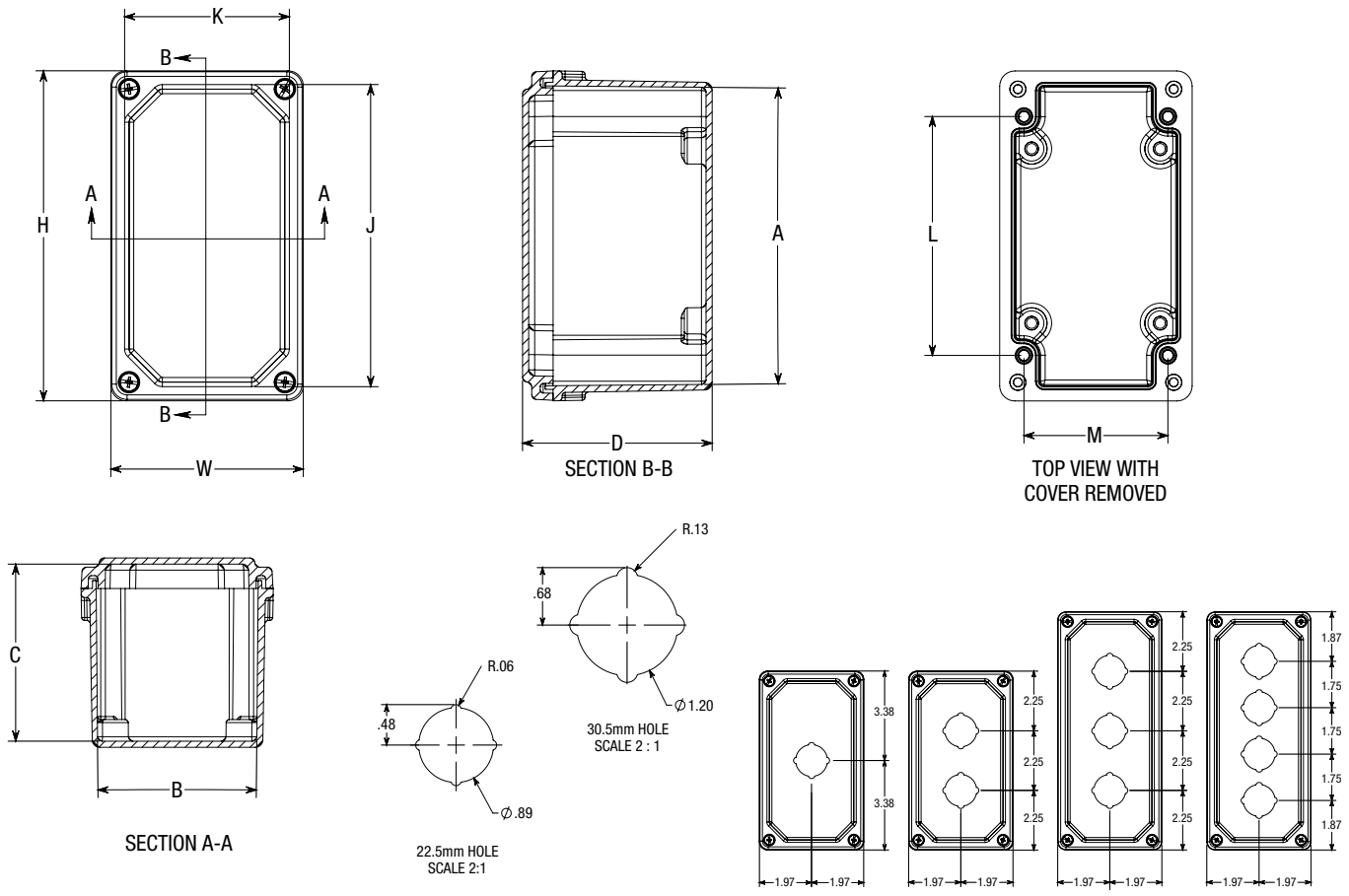
- UL 50 and UL 50E Types 1, 2, 3, 3R, 4, 4X, 12 and 13
- Complies with:
  - NEMA Types 1, 2, 3, 3R, 4, 4X, 12 and 13
  - IEC 60529 Type IP66
  - RoHS directive

### Construction

- Rugged, molded ULTRAGUARD® fiberglass reinforced polyester material construction with reinforced corners
- Available with either 30.5mm or 22.5mm holes
- 316 stainless steel captive cover screws
- Formed-In-Place (FIP) polyurethane gasket system encased in continuous channel
- Grounding strap included
- UV stabilized for outdoor use

### Accessories & Modifications

- Molded-in color matching
- EMI/RFI shielding
- Factory-supplied custom printing



\*Nom. Wall Thickness: .125 (3.2mm)

Part No.	Overall			Inside							Holes	PB Size
	H	W	D	A	B	C	J	K	L	M		
AM1PB	6.74	3.95	3.88	6.01	3.26	3.63	6.13	3.31	4.89	2.95	1	30.5mm
	171mm	100mm	98mm	153mm	83mm	92mm	156mm	84mm	124mm	75mm	1	
AM1PB22	6.74	3.95	3.88	6.01	3.26	3.63	6.13	3.31	4.89	2.95	1	22.5mm
	171mm	100mm	98mm	153mm	83mm	92mm	156mm	84mm	124mm	75mm	1	
AM2PB	6.74	3.95	3.88	6.01	3.26	3.63	6.13	3.31	4.89	2.95	2	30.5mm
	171mm	100mm	98mm	153mm	83mm	92mm	156mm	84mm	124mm	75mm	2	
AM2PB22	6.74	3.95	3.88	6.01	3.26	3.63	6.13	3.31	4.89	2.95	2	22.5mm
	171mm	100mm	98mm	153mm	83mm	92mm	156mm	84mm	124mm	75mm	2	
AM3PB	8.99	3.93	3.88	8.26	3.26	3.63	8.31	3.31	7.13	2.94	3	30.5mm
	228mm	100mm	98mm	210mm	83mm	92mm	211mm	84mm	181mm	75mm	3	
AM3PB22	8.99	3.93	3.88	8.26	3.26	3.63	8.31	3.31	7.13	2.94	3	22.5mm
	228mm	100mm	98mm	210mm	83mm	92mm	211mm	84mm	181mm	75mm	3	
AM4PB	8.99	3.93	3.88	8.26	3.26	3.63	8.31	3.31	7.13	2.94	4	30.5mm
	228mm	100mm	98mm	210mm	83mm	92mm	211mm	84mm	181mm	75mm	4	
AM4PB22	8.99	3.93	3.88	8.26	3.26	3.63	8.31	3.31	7.13	2.94	4	22.5mm
	228mm	100mm	98mm	210mm	83mm	92mm	211mm	84mm	181mm	75mm	4	

All dimensions are in inches unless otherwise noted  
Note: Mounting feet are not included as standard.

Data subject to change without notice



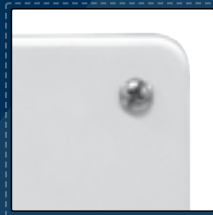
## AM Series PUSHBUTTON ENCLOSURES

### Cover Type

Flat Solid/Opaque

### Closure Type

Multi-Hole Lift-Off Screw Cover



### Application

Designed to insulate and house pushbuttons and switches in applications that require a human-machine interface

- Especially well suited for high temperature or corrosive environments
- Protects from dirt, dust, oil and water
- For use with industrial control equipment

### Standards

- UL 50 and UL 50E Types 1, 2, 3, 3R, 4, 4X, 12 and 13
- Complies with:
  - NEMA Types 1, 2, 3, 3R, 4, 4X, 12 and 13
  - IEC 60529 Type IP66
  - RoHS directive

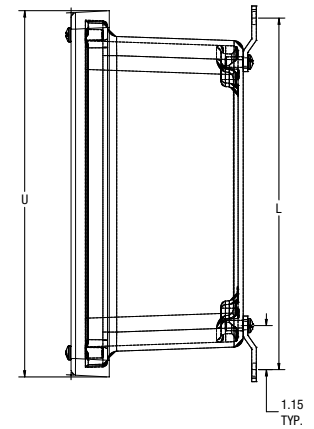
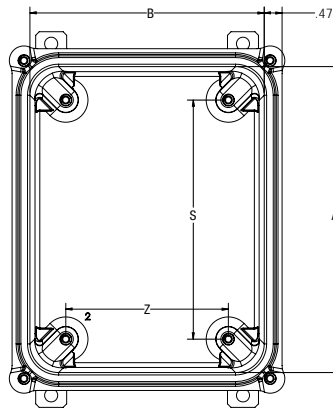
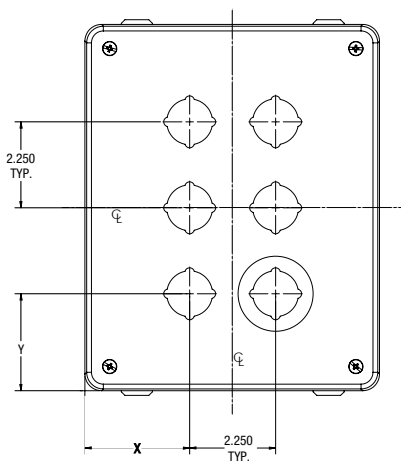
### Construction

- Strong, molded ULTRAGUARD® fiberglass reinforced polyester material construction with matching flat cover
- 316 stainless steel captive cover screws
- Formed-In-Place (FIP) polyurethane gasket system encased in continuous channel
- 316 stainless steel wall mounting feet with 10-32 threaded brass inserts for optional back panel installation
- Standard 30.5mm hole size
- UV stabilized for outdoor use

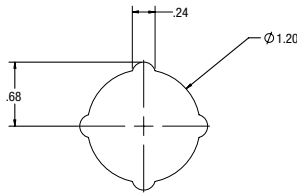
### Accessories & Modifications

- Molded-in color matching
- EMI/RFI shielding
- Factory-supplied custom printing
- Optional 22.5mm holes (add "22" suffix to part number)

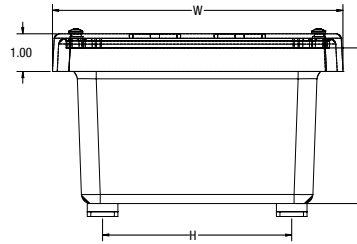




NOTE: COVER REMOVED FOR CLARITY

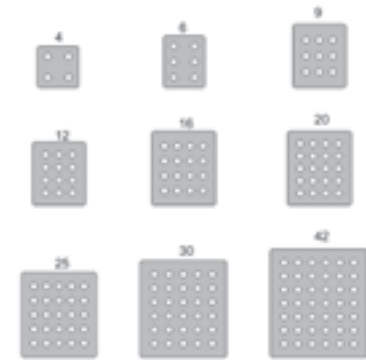


30.5 MM HOLE DETAIL  
STANDARD 4-WAY  
(OPTIONAL 22.5MM HOLES AVAILABLE)



NOMINAL 1/8" WALL THICKNESS

### Pushbutton Arrangements



Note: To order product with 22.5mm holes, please add "22" suffix to part number (e.g., AM664HP422) and contact customer service for lead times.

Part No.	Box Size			Usable Depth F	Panel Boss Centers		Panel Sizes			Foot Mount Centers		Cover Size		No. of Holes	X		Y
	A	B	C		S	Z	Ht.	Wid.	P/N	H	L	U	W		X	Y	
AM664P4	6.10	6.10	4.18	3.76	4.25	4.25	4.81	4.81	PL66 PLA66	5.01	7.32	7.69	7.69	4	2.72	2.72	
	155mm	155mm	106mm	95mm	108mm	108mm	122mm	122mm		127mm	186mm	195mm	195mm		69mm	69mm	
AM864P6	8.00	6.13	4.14	3.71	6.25	4.25	6.75	4.88	PL86 PLA86	5.02	9.20	9.59	7.71	6	2.72	2.55	
	203mm	156mm	105mm	94mm	159mm	108mm	171mm	124mm		127mm	234mm	244mm	196mm		69mm	65mm	
AM1084P9	10.14	8.26	4.13	3.68	8.25	6.25	8.75	6.88	PL108 PLA108	7.01	11.19	11.73	9.90	9	2.68	3.62	
	258mm	210mm	105mm	93mm	210mm	159mm	222mm	175mm		178mm	284mm	299mm	251mm		68mm	92mm	
AM1086P9	10.14	8.26	6.13	5.68	8.25	6.25	8.75	6.88	PL108 PLA108	7.01	11.19	11.73	9.85	9	2.68	3.62	
	258mm	210mm	156mm	144mm	210mm	159mm	222mm	175mm		178mm	284mm	298mm	250mm		68mm	92mm	
AM1086P12	10.14	8.26	6.13	5.68	8.25	6.25	8.75	6.88	PL108 PLA108	7.01	11.19	11.73	9.85	12	2.68	2.49	
	258mm	210mm	156mm	144mm	210mm	159mm	222mm	175mm		178mm	284mm	298mm	250mm		68mm	63mm	
AM1206P16	12.14	10.26	6.13	5.68	10.25	8.25	10.75	8.88	PL120 PLA120	9.03	13.19	13.73	11.85	16	2.55	3.49	
	308mm	261mm	156mm	144mm	260mm	210mm	273mm	225mm		229mm	335mm	349mm	301mm		65mm	89mm	
AM1206P20	12.14	10.26	6.13	5.68	10.25	8.25	10.75	8.88	PL120 PLA120	9.03	13.19	13.73	11.85	20	2.55	2.37	
	308mm	261mm	156mm	144mm	260mm	210mm	273mm	225mm		229mm	335mm	349mm	301mm		65mm	60mm	
AM1426P25	14.14	12.26	6.13	5.71	12.25	10.25	12.75	10.88	PL142 PLA142	11.03	15.19	15.73	13.85	25	2.43	3.37	
	359mm	312mm	156mm	145mm	311mm	260mm	324mm	276mm		280mm	386mm	399mm	352mm		62mm	86mm	
AM1648P30	16.27	14.40	8.13	7.68	14.25	12.25	14.75	12.88	P164 PA164	13.01	17.19	17.87	15.99	30	3.50	3.31	
	413mm	366mm	207mm	195mm	362mm	311mm	375mm	327mm		330mm	437mm	454mm	406mm		89mm	84mm	
AM1868P42	18.40	16.40	8.13	7.69	16.25	14.25	16.88	14.88	P186 PA186	14.97	19.28	20.00	18.00	42	3.38	3.25	
	467mm	417mm	207mm	195mm	413mm	362mm	429mm	378mm		380mm	490mm	508mm	457mm		86mm	83mm	

All dimensions are in inches unless otherwise noted  
Enclosure base part numbers come standard with 4 separately bagged feet (ex. AM664P4)

Data subject to change without notice



MODS  
TECHNICAL  
STANDARDS  
ULTRAGUARD®  
FIBERGLASS  
AM SERIES  
AM-R  
AMHD-R  
CONTROL  
EMPIRE  
ULTRALINE®  
POLYLINE®  
ACCESSORIES  
INDEX

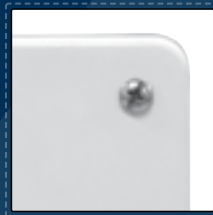
## AM Series PUSHBUTTON ENCLOSURES

### Cover Type

Flat Solid/Opaque

### Closure Type

Multi-Hole Hinged Screw Cover



### Application

Designed to insulate and house pushbuttons and switches in applications that require a human-machine interface

- Especially well suited for high temperature or corrosive environments
- Protects from dirt, dust, oil and water
- For use with industrial control equipment

### Standards

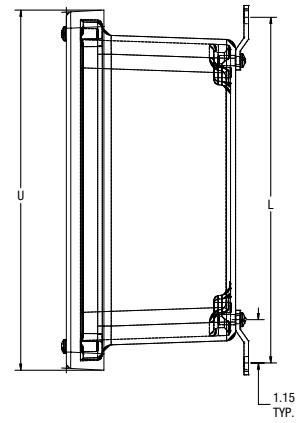
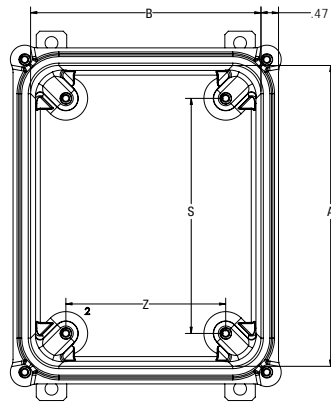
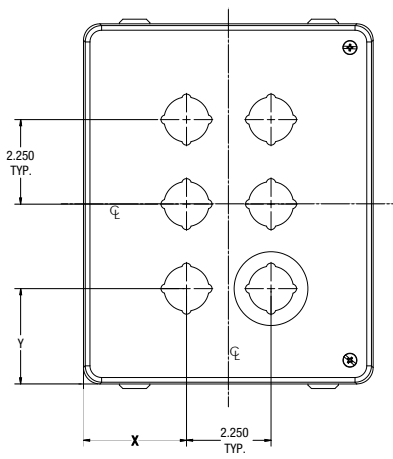
- UL 50 and UL 50E Types 1, 2, 3, 3R, 4, 4X, 12 and 13
- Complies with:
  - NEMA Types 1, 2, 3, 3R, 4, 4X, 12 and 13
  - IEC 60529 Type IP66
  - RoHS directive

### Construction

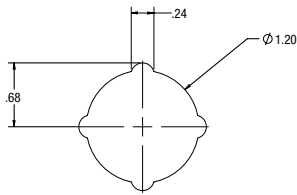
- Strong, molded ULTRAGUARD® fiberglass reinforced polyester material construction with matching flat cover
- 316 stainless steel captive cover screws
- Formed-In-Place (FIP) polyurethane gasket system encased in continuous channel
- 316 stainless steel wall mounting feet with 10-32 threaded brass inserts for optional back panel installation
- Standard 30.5mm hole size
- UV stabilized for outdoor use

### Accessories & Modifications

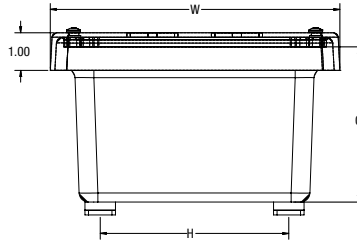
- Molded-in color matching
- EMI/RFI shielding
- Factory-supplied custom printing
- Optional 22.5mm holes (add "22" suffix to part number)



NOTE: COVER REMOVED FOR CLARITY

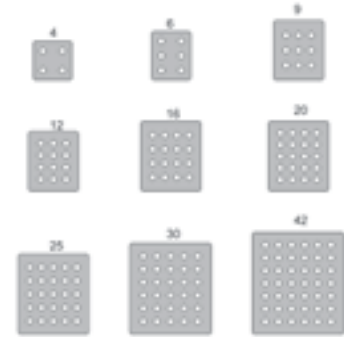


30.5 MM HOLE DETAIL  
STANDARD 4-WAY  
(OPTIONAL 22.5MM HOLES AVAILABLE)



NOMINAL 1/8" WALL THICKNESS

### Pushbutton Arrangements



Note: To order product with 22.5mm holes, please add "22" suffix to part number (e.g., AM664HP422) and contact customer service for lead times.

Part No.	Box Size			Usable Depth F	Panel Boss Centers		Panel Sizes			Foot Mount Centers		Cover Size		No. of Holes	No. of Holes	
	A	B	C		S	Z	Ht.	Wid.	P/N	H	L	U	W		X	Y
AM664HP4	6.10	6.10	4.18	3.76	4.25	4.25	4.81	4.81	PL66 PLA66	5.01	7.32	7.69	7.69	4	2.72	2.72
	155mm	155mm	106mm	95mm	108mm	108mm	122mm	122mm		127mm	186mm	195mm	195mm		69mm	69mm
AM864HP6	8.00	6.13	4.14	3.71	6.25	4.25	6.75	4.88	PL86 PLA86	5.02	9.20	9.59	7.71	6	2.72	2.55
	203mm	156mm	105mm	94mm	159mm	108mm	171mm	124mm		127mm	234mm	244mm	196mm		69mm	65mm
AM1084HP9	10.14	8.26	4.13	3.68	8.25	6.25	8.75	6.88	PL108 PLA108	7.01	11.19	11.73	9.90	9	2.68	3.62
	258mm	210mm	105mm	93mm	210mm	159mm	222mm	175mm		178mm	284mm	299mm	251mm		68mm	92mm
AM1086HP9	10.14	8.26	6.13	5.68	8.25	6.25	8.75	6.88	PL108 PLA108	7.01	11.19	11.73	9.85	9	2.68	3.62
	258mm	210mm	156mm	144mm	210mm	159mm	222mm	175mm		178mm	284mm	298mm	250mm		68mm	92mm
AM1086HP12	10.14	8.26	6.13	5.68	8.25	6.25	8.75	6.88	PL108 PLA108	7.01	11.19	11.73	9.85	12	2.68	2.49
	258mm	210mm	156mm	144mm	210mm	159mm	222mm	175mm		178mm	284mm	298mm	250mm		68mm	63mm
AM1206HP16	12.14	10.26	6.13	5.68	10.25	8.25	10.75	8.88	PL120 PLA120	9.03	13.19	13.73	11.85	16	2.55	3.49
	308mm	261mm	156mm	144mm	260mm	210mm	273mm	225mm		229mm	335mm	349mm	301mm		65mm	89mm
AM1206HP20	12.14	10.26	6.13	5.68	10.25	8.25	10.75	8.88	PL120 PLA120	9.03	13.19	13.73	11.85	20	2.55	2.37
	308mm	261mm	156mm	144mm	260mm	210mm	273mm	225mm		229mm	335mm	349mm	301mm		65mm	60mm
AM1426HP25	14.14	12.26	6.13	5.71	12.25	10.25	12.75	10.88	PL142 PLA142	11.03	15.19	15.73	13.85	25	2.43	3.37
	359mm	312mm	156mm	145mm	311mm	260mm	324mm	276mm		280mm	386mm	399mm	352mm		62mm	86mm
AM1648HP30	16.27	14.40	8.13	7.68	14.25	12.25	14.75	12.88	P164 PA164	13.01	17.19	17.87	15.99	30	3.50	3.31
	413mm	366mm	207mm	195mm	362mm	311mm	375mm	327mm		330mm	437mm	454mm	406mm		89mm	84mm
AM1868HP42	18.40	16.40	8.13	7.69	16.25	14.25	16.88	14.88	P186 PA186	14.97	19.28	20.00	18.00	42	3.38	3.25
	467mm	417mm	207mm	195mm	413mm	362mm	429mm	378mm		380mm	490mm	508mm	457mm		86mm	83mm

All dimensions are in inches unless otherwise noted  
Enclosure base part numbers come standard with 4 separately bagged feet (ex. AM664HP4)

Data subject to change without notice



MODS  
TECHNICAL  
STANDARDS  
ULTRAGUARD®  
FIBERGLASS  
AM SERIES  
AM-R  
AMHD-R  
CONTROL  
EMPIRE  
ULTRALINE®  
POLYLINE®  
ACCESSORIES  
INDEX

# AM Series

## JIC SIZE JUNCTION BOXES

### Cover Type

Flat Solid/Opaque

### Closure Type

Lift-Off Screw Cover



### Application

Designed to insulate and protect controls and components in both indoor and outdoor applications often found in oil refineries, waste water treatment equipment, chemical plants, and many other applications

- Especially well suited for high temperature or corrosive environments
- Protects from dirt, dust, oil and water
- For use with industrial control equipment

### Standards

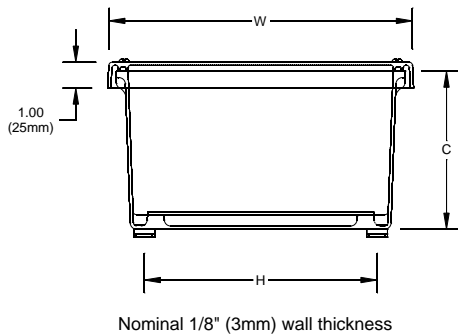
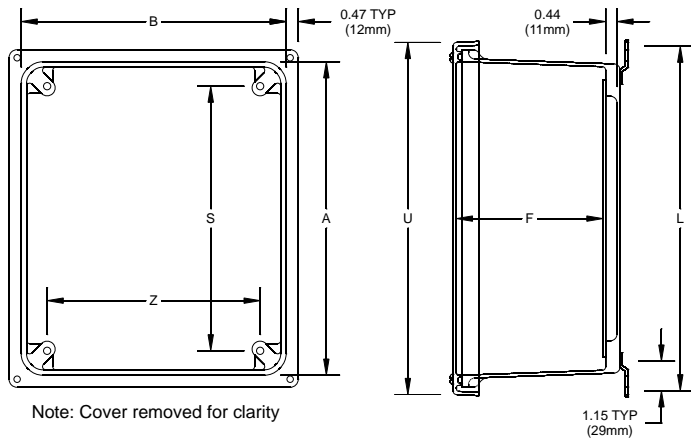
- UL 50 and UL 50E Types 1, 2, 3, 3R, 4, 4X, (6P for sizes 6"x6" up through 14"x12"), 12 and 13
- Complies with:
  - NEMA Types 1, 2, 3, 3R, 4, 4X, (6P for sizes 6"x6" up through 14"x12"), 12 and 13
  - IEC 60529 Type IP66 and units rated 6P are IP68 submersible up to 24 hours at a depth of 6 feet (1.8 meters)
  - RoHS directive

### Construction

- Strong, molded ULTRAGUARD® fiberglass reinforced polyester material construction with matching flat cover
- 316 stainless steel captive cover screws
- Formed-In-Place (FIP) polyurethane gasket system encased in continuous channel
- 316 stainless steel wall mounting feet with 10-32 stainless steel screws included
- #10-32 threaded brass inserts for optional back panel installation
- JIC sizes
- ULTRAGUARD® fiberglass material is easily punched, drilled, or sawed
- UV stabilized for outdoor use

### Accessories & Modifications

- Custom holes and cutouts
- Custom size polycarbonate viewing windows
- Molded-in color matching
- EMI/RFI shielding
- Factory-supplied custom printing



Part No.	Box Size			Usable Depth	Panel Boss Centers			Panel Sizes			Foot Mount Centers		Cover Size	
	A	B	C		F	S	Z	Ht.	Wid.	P/N	H	L	U	W
AM664	6.10	6.10	4.18	3.76	4.25	4.25	4.81	4.81	PL66 PLA66	5.01	7.32	7.69	7.69	
	155mm	155mm	106mm	95mm	108mm	108mm	122mm	122mm		127mm	186mm	195mm	195mm	
AM864	8.00	6.13	4.14	3.71	6.25	4.25	6.75	4.88	PL86 PLA86	5.02	9.20	9.59	7.71	
	203mm	156mm	105mm	94mm	159mm	108mm	171mm	124mm		127mm	234mm	244mm	196mm	
AM1084	10.14	8.26	4.13	3.68	8.25	6.25	8.75	6.88	PL108 PLA108	7.01	11.19	11.73	9.90	
	258mm	210mm	105mm	93mm	210mm	159mm	222mm	175mm		178mm	284mm	299mm	251mm	
AM1086	10.14	8.26	6.13	5.68	8.25	6.25	8.75	6.88	PL108 PLA108	7.01	11.19	11.73	9.85	
	258mm	210mm	156mm	144mm	210mm	159mm	222mm	175mm		178mm	284mm	298mm	250mm	
AM1206	12.14	10.26	6.13	5.68	10.25	8.25	10.75	8.88	PL120 PLA120	9.01	13.19	13.73	11.85	
	308mm	261mm	156mm	144mm	260mm	210mm	273mm	225mm		229mm	335mm	349mm	301mm	
AM1224	12.14	12.14	4.13	3.73	10.25	10.25	10.75	10.75	PL122 PLA122	11.01	13.32	13.72	13.72	
	308mm	308mm	105mm	95mm	260mm	260mm	273mm	273mm		280mm	338mm	348mm	348mm	
AM1226	12.14	12.14	6.13	5.73	10.25	10.25	10.75	10.75	PL122 PLA122	11.01	13.32	13.72	13.72	
	308mm	308mm	156mm	145mm	260mm	260mm	273mm	273mm		280mm	338mm	348mm	348mm	
AM1426	14.14	12.26	6.13	5.71	12.25	10.25	12.75	10.88	PL142 PLA142	11.03	15.19	15.73	13.85	
	359mm	312mm	156mm	145mm	311mm	260mm	324mm	276mm		280mm	386mm	399mm	352mm	
AM1648	16.27	14.40	8.13	7.68	14.25	12.25	14.75	12.88	P164 PA164	13.01	17.19	17.87	15.99	
	413mm	366mm	207mm	195mm	362mm	311mm	375mm	327mm		330mm	437mm	454mm	406mm	
AM1868	18.40	16.40	8.13	7.69	16.25	14.25	16.88	14.88	P186 PA186	14.97	19.28	20.00	18.00	
	467mm	417mm	207mm	195mm	413mm	362mm	429mm	378mm		380mm	490mm	508mm	457mm	
AM2068	20.00	16.00	8.13	7.68	17.81	13.81	18.44	14.44	P206 PA206	14.54	20.84	21.59	17.59	
	508mm	406mm	207mm	195mm	452mm	351mm	468mm	367mm		369mm	529mm	548mm	447mm	

All dimensions are in inches unless otherwise noted  
 Sizes 6" x 6" up through 14" x 12" are rated 6P (IP68)  
 Enclosure base part numbers come standard with 4 separately bagged feet (ex. AM664)

Data subject to change without notice



## AM Series

### JIC SIZE JUNCTION BOXES

#### Cover Type

Flat Viewing Window

#### Closure Type

Lift-Off Screw Cover



#### Application

Designed to insulate and protect controls and components in both indoor and outdoor applications often found in oil refineries, waste water treatment equipment, chemical plants, and many other applications

- Especially well suited for high temperature or corrosive environments
- Protects from dirt, dust, oil and water
- For use with industrial control equipment
- Window unit provides viewing area for instrumentation or equipment

#### Standards

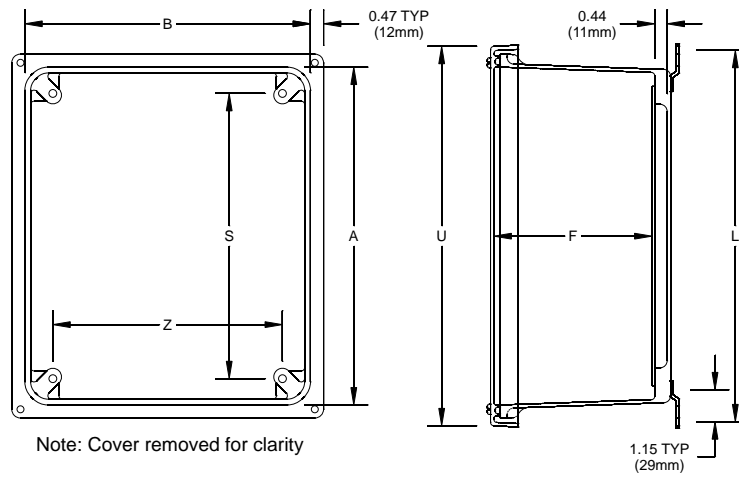
- UL 50 and UL 50E Types 1, 2, 3, 3R, 4, 4X, 12 and 13
- Complies with:
  - NEMA Types 1, 2, 3, 3R, 4, 4X, 12 and 13
  - IEC 60529 Type IP66
  - RoHS directive

#### Construction

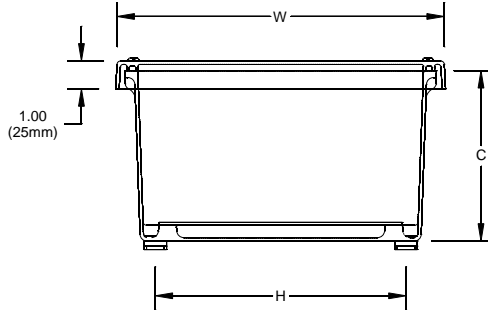
- Strong, molded ULTRAGUARD® fiberglass reinforced polyester material construction with matching flat cover
- UV resistant polycarbonate viewing window
- 316 stainless steel captive cover screws
- Formed-In-Place (FIP) polyurethane gasket system encased in continuous channel
- 316 stainless steel wall mounting feet with 10-32 stainless steel screws included
- #10-32 threaded brass inserts for optional back panel installation
- JIC sizes
- ULTRAGUARD® fiberglass material is easily punched, drilled, or sawed
- UV stabilized for outdoor use

#### Accessories & Modifications

- Custom holes and cutouts
- Molded-in color matching
- EMI/RFI shielding
- Factory-supplied custom printing



Note: Cover removed for clarity



Nominal 1/8" (3mm) wall thickness

Part No.	Box Size			Usable Depth	Panel Boss Centers		Panel Sizes			Foot Mount Centers		Cover Size		Window Dimension (Height x Width)
	A	B	C		F	S	Z	Ht.	Wid.	P/N	H	L	U	
AM664W	6.10	6.10	4.18	3.53	4.25	4.25	4.81	4.81	PL66 PLA66	5.01	7.32	7.69	7.69	4.25 x 4.25
	155mm	155mm	106mm	90mm	108mm	108mm	122mm	122mm		127mm	186mm	195mm	195mm	108mm x 108mm
AM864W	8.00	6.13	4.14	3.48	6.25	4.25	6.75	4.88	PL86 PLA86	5.02	9.20	9.59	7.71	6.25 x 4.25
	203mm	156mm	105mm	88mm	159mm	108mm	171mm	124mm		127mm	234mm	244mm	196mm	159mm x 108mm
AM1084W	10.14	8.26	4.13	3.45	8.25	6.25	8.75	6.88	PL108 PLA108	7.01	11.19	11.73	9.90	8.38 x 6.50
	258mm	210mm	105mm	88mm	210mm	159mm	222mm	175mm		178mm	284mm	299mm	251mm	213mm x 165mm
AM1086W	10.14	8.26	6.13	5.45	8.25	6.25	8.75	6.88	PL108 PLA108	7.01	11.19	11.73	9.85	8.38 x 6.50
	258mm	210mm	156mm	138mm	210mm	159mm	222mm	175mm		178mm	284mm	298mm	250mm	213mm x 165mm
AM1206W	12.14	10.26	6.13	5.46	10.25	8.25	10.75	8.88	PL120 PLA120	9.01	13.19	13.73	11.85	10.38 x 8.50
	308mm	261mm	156mm	139mm	260mm	210mm	273mm	225mm		229mm	335mm	349mm	301mm	264mm x 216mm
AM1224W	12.14	12.14	4.13	3.50	10.25	10.25	10.75	10.75	PL122 PLA122	11.01	13.32	13.72	13.72	10.38 x 10.38
	308mm	308mm	105mm	89mm	260mm	260mm	273mm	273mm		280mm	338mm	348mm	348mm	264mm x 264mm
AM1226W	12.14	12.14	6.13	5.50	10.25	10.25	10.75	10.75	PL122 PLA122	11.01	13.32	13.72	13.72	10.38 x 10.38
	308mm	308mm	156mm	140mm	260mm	260mm	273mm	273mm		280mm	338mm	348mm	348mm	264mm x 264mm
AM1426W	14.14	12.26	6.13	5.48	12.25	10.25	12.75	10.88	PL142 PLA142	11.03	15.19	15.73	13.85	12.38 x 10.50
	359mm	312mm	156mm	139mm	311mm	260mm	324mm	276mm		280mm	386mm	399mm	352mm	314mm x 267mm
AM1648W	16.27	14.40	8.13	7.46	14.25	12.25	14.75	12.88	P164 PA164	13.01	17.19	17.87	15.99	13.00 x 11.00
	413mm	366mm	207mm	189mm	362mm	311mm	375mm	327mm		330mm	437mm	454mm	406mm	330mm x 279mm
AM1868W	18.40	16.40	8.13	7.46	16.25	14.25	16.88	14.88	P186 PA186	14.97	19.28	20.00	18.00	14.00 x 12.00
	467mm	417mm	207mm	189mm	413mm	362mm	429mm	378mm		380mm	490mm	508mm	457mm	356mm x 305mm
AM2068W	20.00	16.00	8.13	7.46	17.81	13.81	18.44	14.44	P206 PA206	14.54	20.84	21.59	17.59	15.00 x 11.00
	508mm	406mm	207mm	189mm	452mm	351mm	468mm	367mm		369mm	529mm	548mm	447mm	381mm x 279mm

All dimensions are in inches unless otherwise noted  
Enclosure base part numbers come standard with 4 separately bagged feet (ex. AM664W)

Data subject to change without notice



# AM Series

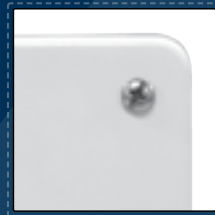
## JIC SIZE JUNCTION BOXES

### Cover Type

Flat Solid/Opaque

### Closure Type

Hinged Screw Cover



### Application

Designed to insulate and protect controls and components in both indoor and outdoor applications often found in oil refineries, waste water treatment equipment, chemical plants, and many other applications

- Especially well suited for high temperature or corrosive environments
- Protects from dirt, dust, oil and water
- For use with industrial control equipment

### Standards

- UL 50 and UL 50E Types 1, 2, 3, 3R, 4, 4X, 12 and 13
- Complies with:
  - NEMA Types 1, 2, 3, 3R, 4, 4X, 12 and 13
  - IEC 60529 Type IP66
  - RoHS directive

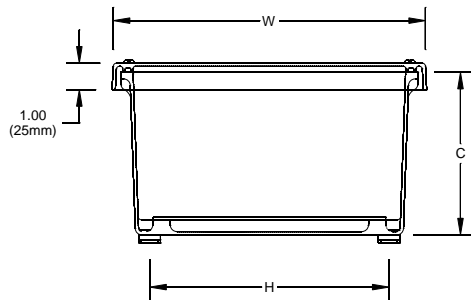
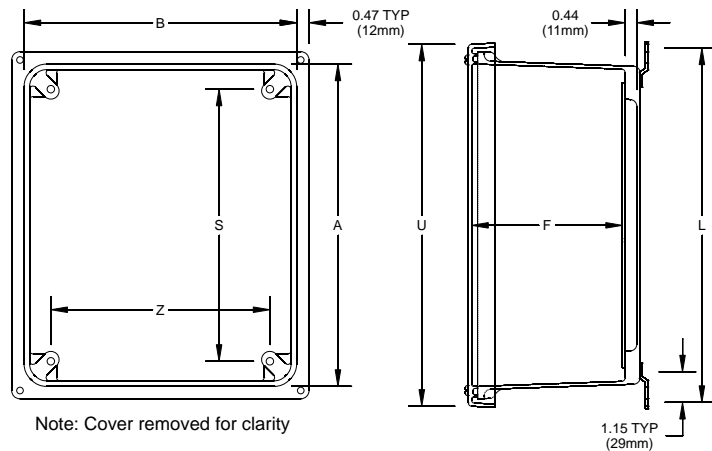
### Construction

- Strong, molded ULTRAGUARD® fiberglass reinforced polyester material construction with matching flat cover
- 316 stainless steel captive cover screws
- Continuous 316 stainless steel hinge
- Formed-In-Place (FIP) polyurethane gasket system encased in continuous channel
- 316 stainless steel wall mounting feet with 10-32 stainless steel screws included
- #10-32 threaded brass inserts for optional back panel installation
- JIC sizes
- ULTRAGUARD® fiberglass material is easily punched, drilled, or sawed
- UV stabilized for outdoor use

### Accessories & Modifications

- Custom holes and cutouts
- Custom size polycarbonate viewing windows
- Hinge installed on short side
- Molded-in color matching
- EMI/RFI shielding
- Factory-supplied custom printing





Nominal 1/8" (3mm) wall thickness

Part No.	Box Size			Usable Depth	Panel Boss Centers		Panel Sizes			Foot Mount Centers		Cover Size	
	A	B	C		F	S	Z	Ht.	Wid.	P/N	H	L	U
AM664H	6.10	6.10	4.18	3.76	4.25	4.25	4.81	4.81	PL66 PLA66	5.01	7.32	7.69	7.69
	155mm	155mm	106mm	95mm	108mm	108mm	122mm	122mm		127mm	186mm	195mm	195mm
AM864H	8.00	6.13	4.14	3.71	6.25	4.25	6.75	4.88	PL86 PLA86	5.02	9.20	9.59	7.71
	203mm	156mm	105mm	94mm	159mm	108mm	171mm	124mm		127mm	234mm	244mm	196mm
AM1084H	10.14	8.26	4.13	3.68	8.25	6.25	8.75	6.88	PL108 PLA108	7.01	11.19	11.73	9.90
	258mm	210mm	105mm	93mm	210mm	159mm	222mm	175mm		178mm	284mm	299mm	251mm
AM1086H	10.14	8.26	6.13	5.68	8.25	6.25	8.75	6.88	PL108 PLA108	7.01	11.19	11.73	9.85
	258mm	210mm	156mm	144mm	210mm	159mm	222mm	175mm		178mm	284mm	298mm	250mm
AM1206H	12.14	10.26	6.13	5.68	10.25	8.25	10.75	8.88	PL120 PLA120	9.01	13.19	13.73	11.85
	308mm	261mm	156mm	144mm	260mm	210mm	273mm	225mm		229mm	335mm	349mm	301mm
AM1224H	12.14	12.14	4.13	3.73	10.25	10.25	10.75	10.75	PL122 PLA122	11.01	13.32	13.72	13.72
	308mm	308mm	105mm	95mm	260mm	260mm	273mm	273mm		280mm	338mm	348mm	348mm
AM1226H	12.14	12.14	6.13	5.73	10.25	10.25	10.75	10.75	PL122 PLA122	11.01	13.32	13.72	13.72
	308mm	308mm	156mm	145mm	260mm	260mm	273mm	273mm		280mm	338mm	348mm	348mm
AM1426H	14.14	12.26	6.13	5.71	12.25	10.25	12.75	10.88	PL142 PLA142	11.03	15.19	15.73	13.85
	359mm	312mm	156mm	145mm	311mm	260mm	324mm	276mm		280mm	386mm	399mm	352mm
AM1648H	16.27	14.40	8.13	7.68	14.25	12.25	14.75	12.88	P164 PA164	13.01	17.19	17.87	15.99
	413mm	366mm	207mm	195mm	362mm	311mm	375mm	327mm		330mm	437mm	454mm	406mm
AM1868H	18.40	16.40	8.13	7.69	16.25	14.25	16.88	14.88	P186 PA186	14.97	19.28	20.00	18.00
	467mm	417mm	207mm	195mm	413mm	362mm	429mm	378mm		380mm	490mm	508mm	457mm
AM2068H	20.00	16.00	8.13	7.68	17.81	13.81	18.44	14.44	P206 PA206	14.54	20.84	21.59	17.59
	508mm	406mm	207mm	195mm	452mm	351mm	468mm	367mm		369mm	529mm	548mm	447mm

All dimensions are in inches unless otherwise noted  
Enclosure base part numbers come standard with 4 separately bagged feet (ex. AM664H)

Data subject to change without notice



# AM Series

## JIC SIZE JUNCTION BOXES

### Cover Type

Flat Viewing Window

### Closure Type

Hinged Screw Cover



### Application

Designed to insulate and protect controls and components in both indoor and outdoor applications often found in oil refineries, waste water treatment equipment, chemical plants, and many other applications

- Especially well suited for high temperature or corrosive environments
- Protects from dirt, dust, oil and water
- For use with industrial control equipment
- Window unit provides viewing area for instrumentation or equipment

### Standards

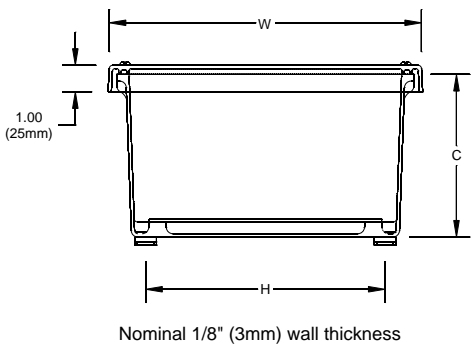
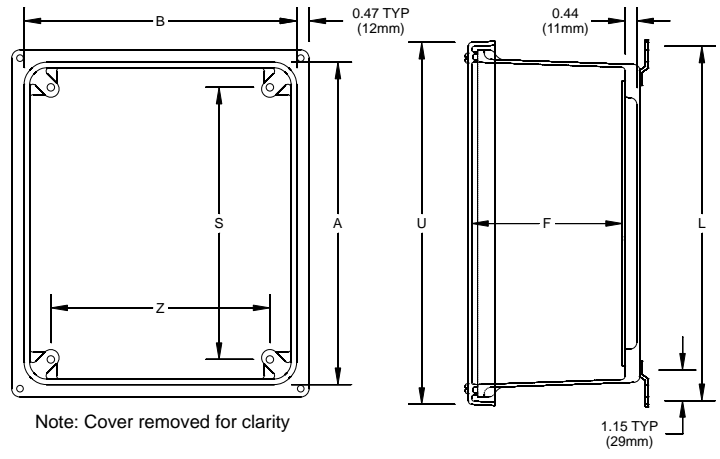
- UL 50 and UL 50E Types 1, 2, 3, 3R, 4, 4X, 12 and 13
- Complies with:
  - NEMA Types 1, 2, 3, 3R, 4, 4X, 12 and 13
  - IEC 60529 Type IP66
  - RoHS directive

### Construction

- Strong, molded ULTRAGUARD® fiberglass reinforced polyester material construction with matching flat cover
- UV resistant polycarbonate viewing window
- 316 stainless steel captive cover screws
- Continuous 316 stainless steel hinge
- Formed-In-Place (FIP) polyurethane gasket system encased in continuous channel
- 316 stainless steel wall mounting feet with 10-32 stainless steel screws included
- #10-32 threaded brass inserts for optional back panel installation
- JIC sizes
- ULTRAGUARD® fiberglass material is easily punched, drilled, or sawed
- UV stabilized for outdoor use

### Accessories & Modifications

- Custom holes and cutouts
- Hinge installed on short side
- Molded-in color matching
- EMI/RFI shielding
- Factory-supplied custom printing



Part No.	Box Size			Usable Depth	Panel Boss Centers		Panel Sizes			Foot Mount Centers		Cover Size		Window Dimension (Height x Width)
	A	B	C		F	S	Z	Ht.	Wid.	P/N	H	L	U	
AM664HW	6.10	6.10	4.18	3.53	4.25	4.25	4.81	4.81	PL66 PLA66	5.01	7.32	7.69	7.69	4.25 x 4.25
	155mm	155mm	106mm	90mm	108mm	108mm	122mm	122mm		127mm	186mm	195mm	195mm	108mm x 108mm
AM864HW	8.00	6.13	4.14	3.48	6.25	4.25	6.75	4.88	PL86 PLA86	5.02	9.20	9.59	7.71	6.25 x 4.25
	203mm	156mm	105mm	88mm	159mm	108mm	171mm	124mm		127mm	234mm	244mm	196mm	159mm x 108mm
AM1084HW	10.14	8.26	4.13	3.45	8.25	6.25	8.75	6.88	PL108 PLA108	7.01	11.19	11.73	9.90	8.38 x 6.50
	258mm	210mm	105mm	88mm	210mm	159mm	222mm	175mm		178mm	284mm	299mm	251mm	213mm x 165mm
AM1086HW	10.14	8.26	6.13	5.45	8.25	6.25	8.75	6.88	PL108 PLA108	7.01	11.19	11.73	9.85	8.38 x 6.50
	258mm	210mm	156mm	138mm	210mm	159mm	222mm	175mm		178mm	284mm	298mm	250mm	213mm x 165mm
AM1206HW	12.14	10.26	6.13	5.46	10.25	8.25	10.75	8.88	PL120 PLA120	9.01	13.19	13.73	11.85	10.38 x 8.50
	308mm	261mm	156mm	139mm	260mm	210mm	273mm	225mm		229mm	335mm	349mm	301mm	264mm x 216mm
AM1224HW	12.14	12.14	4.13	3.50	10.25	10.25	10.75	10.75	PL122 PLA122	11.01	13.32	13.72	13.72	10.38 x 10.38
	308mm	308mm	105mm	89mm	260mm	260mm	273mm	273mm		280mm	338mm	348mm	348mm	264mm x 264mm
AM1226HW	12.14	12.14	6.13	5.50	10.25	10.25	10.75	10.75	PL122 PLA122	11.01	13.32	13.72	13.72	10.38 x 10.38
	308mm	308mm	156mm	140mm	260mm	260mm	273mm	273mm		280mm	338mm	348mm	348mm	264mm x 264mm
AM1426HW	14.14	12.26	6.13	5.48	12.25	10.25	12.75	10.88	PL142 PLA142	11.03	15.19	15.73	13.85	12.38 x 10.50
	359mm	312mm	156mm	139mm	311mm	260mm	324mm	276mm		280mm	386mm	399mm	352mm	314mm x 267mm
AM1648HW	16.27	14.40	8.13	7.46	14.25	12.25	14.75	12.88	P164 PA164	13.01	17.19	17.87	15.99	13.00 x 11.00
	413mm	366mm	207mm	189mm	362mm	311mm	375mm	327mm		330mm	437mm	454mm	406mm	330mm x 279mm
AM1868HW	18.40	16.40	8.13	7.46	16.25	14.25	16.88	14.88	P186 PA186	14.97	19.28	20.00	18.00	14.00 x 12.00
	467mm	417mm	207mm	189mm	413mm	362mm	429mm	378mm		380mm	490mm	508mm	457mm	356mm x 305mm
AM2068HW	20.00	16.00	8.13	7.46	17.81	13.81	18.44	14.44	P206 PA206	14.54	20.84	21.59	17.59	15.00 x 11.00
	508mm	406mm	207mm	189mm	452mm	351mm	468mm	367mm		369mm	529mm	548mm	447mm	381mm x 279mm

All dimensions are in inches unless otherwise noted  
Enclosure base part numbers come standard with 4 separately bagged feet (ex. AM664HW)



## AM Series

### JIC SIZE JUNCTION BOXES

#### Cover Type

Flat Solid/Opaque

#### Closure Type

Snap Latch Hinged Cover



#### Application

Designed to insulate and protect controls and components in both indoor and outdoor applications often found in oil refineries, waste water treatment equipment, chemical plants, and many other applications

- Especially well suited for high temperature or corrosive environments
- Protects from dirt, dust, oil and water
- For use with industrial control equipment

#### Standards

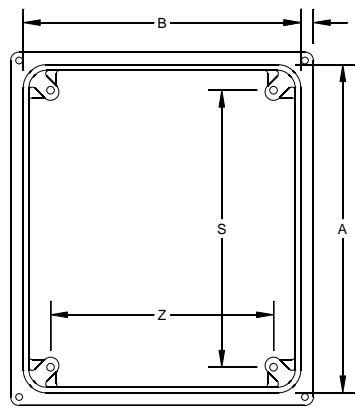
- UL 50 and UL 50E Types 1, 2, 3, 3R, 4, 4X, 12 and 13
- Complies with:
  - NEMA Types 1, 2, 3, 3R, 4, 4X, 12 and 13
  - IEC 60529 Type IP66
  - RoHS directive

#### Construction

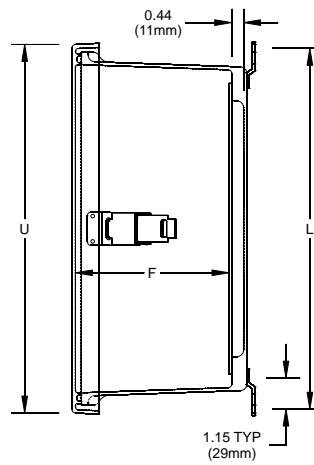
- Strong, molded ULTRAGUARD® fiberglass reinforced polyester material construction with matching flat cover
- 316 stainless steel snap latches feature padlock hasp (.375" dia.)
- Continuous 316 stainless steel hinge
- Formed-In-Place (FIP) polyurethane gasket system encased in continuous channel
- 316 stainless steel wall mounting feet with 10-32 stainless steel screws included
- #10-32 threaded brass inserts for optional back panel installation
- JIC sizes
- ULTRAGUARD® fiberglass material is easily punched, drilled, or sawed
- UV stabilized for outdoor use

#### Accessories & Modifications

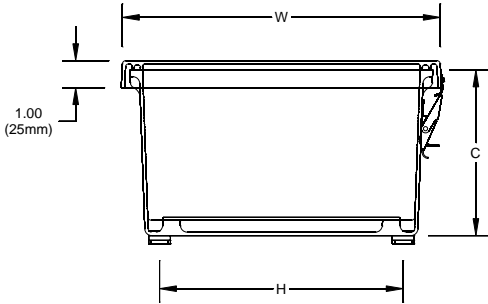
- Custom holes and cutouts
- Custom size polycarbonate viewing windows
- Hinge installed on short side
- Molded-in color matching
- EMI/RFI shielding
- Factory-supplied custom printing



Note: Cover removed for clarity

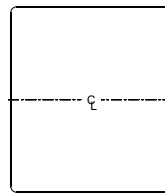


LATCH LOCATIONS

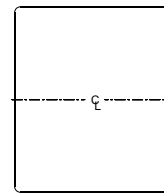


Nominal 1/8" (3mm) wall thickness

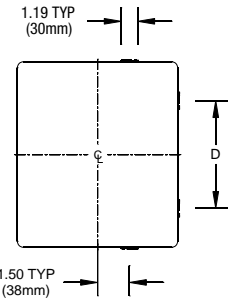
For use on  
6x6x4  
8x6x4  
10x8x4,6



For use on  
12x10x6 D=8.00 (203mm)  
12x12x4,6 D=8.00 (203mm)  
14x12x6 D=8.54 (217mm)  
16x14x8 D=8.54 (217mm)



For use on  
18x16x8 D=6.50 (165mm)  
20x16x8 D=10.52 (267mm)



Part No.	Box Size			Usable Depth F	Panel Boss Centers		Panel Sizes			Foot Mount Centers		Cover Size	
	A	B	C		S	Z	Ht.	Wid.	P/N	H	L	U	W
AM664L	6.10	6.10	4.18	3.76	4.25	4.25	4.81	4.81	PL66 PLA66	5.01	7.32	7.69	7.69
	155mm	155mm	106mm	95mm	108mm	108mm	122mm	122mm		127mm	186mm	195mm	195mm
AM864L	8.00	6.13	4.14	3.71	6.25	4.25	6.75	4.88	PL86 PLA86	5.02	9.20	9.59	7.71
	203mm	156mm	105mm	94mm	159mm	108mm	171mm	124mm		127mm	234mm	244mm	196mm
AM1084L	10.14	8.26	4.13	3.68	8.25	6.25	8.75	6.88	PL108 PLA108	7.01	11.19	11.73	9.90
	258mm	210mm	105mm	93mm	210mm	159mm	222mm	175mm		178mm	284mm	299mm	251mm
AM1086L	10.14	8.26	6.13	5.68	8.25	6.25	8.75	6.88	PL108 PLA108	7.01	11.19	11.73	9.85
	258mm	210mm	156mm	144mm	210mm	159mm	222mm	175mm		178mm	284mm	298mm	250mm
AM1206L	12.14	10.26	6.13	5.68	10.25	8.25	10.75	8.88	PL120 PLA120	9.01	13.19	13.73	11.85
	308mm	261mm	156mm	144mm	260mm	210mm	273mm	225mm		229mm	335mm	349mm	301mm
AM1224L	12.14	12.14	4.13	3.73	10.25	10.25	10.75	10.75	PL122 PLA122	11.01	13.32	13.72	13.72
	308mm	308mm	105mm	95mm	260mm	260mm	273mm	273mm		280mm	338mm	348mm	348mm
AM1226L	12.14	12.14	6.13	5.73	10.25	10.25	10.75	10.75	PL122 PLA122	11.01	13.32	13.72	13.72
	308mm	308mm	156mm	145mm	260mm	260mm	273mm	273mm		280mm	338mm	348mm	348mm
AM1426L	14.14	12.26	6.13	5.71	12.25	10.25	12.75	10.88	PL142 PLA142	11.03	15.19	15.73	13.85
	359mm	312mm	156mm	145mm	311mm	260mm	324mm	276mm		280mm	386mm	399mm	352mm
AM1648L	16.27	14.40	8.13	7.68	14.25	12.25	14.75	12.88	P164 PA164	13.01	17.19	17.87	15.99
	413mm	366mm	207mm	195mm	362mm	311mm	375mm	327mm		330mm	437mm	454mm	406mm
AM1868L	18.40	16.40	8.13	7.69	16.25	14.25	16.88	14.88	P186 PA186	14.97	19.28	20.00	18.00
	467mm	417mm	207mm	195mm	413mm	362mm	429mm	378mm		380mm	490mm	508mm	457mm
AM2068L	20.00	16.00	8.13	7.68	17.81	13.81	18.44	14.44	P206 PA206	14.54	20.84	21.59	17.59
	508mm	406mm	207mm	195mm	452mm	351mm	468mm	367mm		369mm	529mm	548mm	447mm

All dimensions are in inches unless otherwise noted  
Enclosure base part numbers come standard with 4 separately bagged feet (ex. AM664L)

Data subject to change without notice



MODS  
TECHNICAL  
STANDARDS  
ULTRAGUARD®  
FIBERGLASS  
AM SERIES  
AM-R  
AMHD-R  
CONTROL  
EMPIRE  
ULTRALINE®  
POLYLINE®  
ACCESSORIES  
INDEX

## AM Series

### JIC SIZE JUNCTION BOXES

#### Cover Type

Flat Viewing Window

#### Closure Type

Snap Latch Hinged Cover



#### Application

Designed to insulate and protect controls and components in both indoor and outdoor applications often found in oil refineries, waste water treatment equipment, chemical plants, and many other applications

- Especially well suited for high temperature or corrosive environments
- Protects from dirt, dust, oil and water
- For use with industrial control equipment
- Window unit provides viewing area for instrumentation or equipment

#### Standards

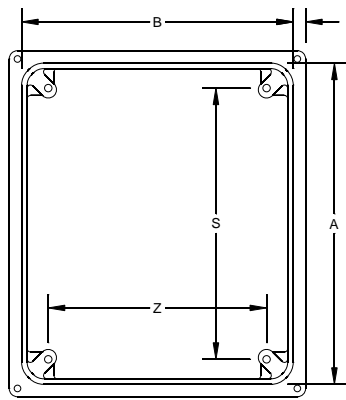
- UL 50 and UL 50E Types 1, 2, 3, 3R, 4, 4X, 12 and 13
- Complies with:
  - NEMA Types 1, 2, 3, 3R, 4, 4X, 12 and 13
  - IEC 60529 Type IP66
  - RoHS directive

#### Construction

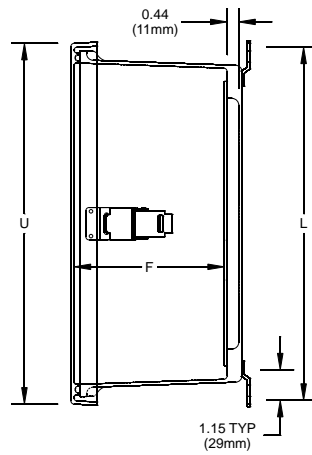
- Strong, molded ULTRAGUARD® fiberglass reinforced polyester material construction with matching flat cover
- UV resistant polycarbonate viewing window
- 316 stainless steel snap latches feature padlock hasp (.375" dia.)
- Continuous 316 stainless steel hinge
- Formed-In-Place (FIP) polyurethane gasket system encased in continuous channel
- 316 stainless steel wall mounting feet with 10-32 stainless steel screws included
- #10-32 threaded brass inserts for optional back panel installation
- JIC sizes
- ULTRAGUARD® fiberglass material is easily punched, drilled, or sawed
- UV stabilized for outdoor use

#### Accessories & Modifications

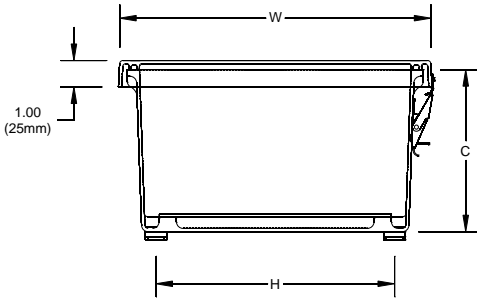
- Custom holes and cutouts
- Hinge installed on short side
- Molded-in color matching
- EMI/RFI shielding
- Factory-supplied custom printing



Note: Cover removed for clarity

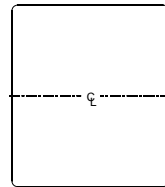


LATCH LOCATIONS

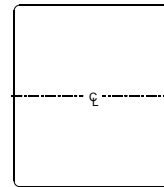


Nominal 1/8" (3mm) wall thickness

For use on  
6x6x4  
8x6x4  
10x8x4,6

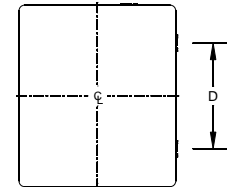


For use on  
12x10x6 D=8.00 (203mm)  
12x12x4,6 D=8.00 (203mm)  
14x12x6 D=8.54 (217mm)  
16x14x8 D=8.54 (217mm)



For use on  
18x16x8 D=6.50 (165mm)  
20x16x8 D=10.52 (267mm)

1.19 TYP (30mm)



1.50 TYP (38mm)

Part No.	Box Size			Usable Depth	Panel Boss Centers		Panel Sizes			Foot Mount Centers		Cover Size		Window Dimension (Height x Width)
	A	B	C		F	S	Z	Ht.	Wid.	P/N	H	L	U	
AM664LW	6.10	6.10	4.18	3.53	4.25	4.25	4.81	4.81	PL66 PLA66	5.01	7.32	7.69	7.69	4.25 x 4.25
	155mm	155mm	106mm	90mm	108mm	108mm	122mm	122mm		127mm	186mm	195mm	195mm	108mm x 108mm
AM864LW	8.00	6.13	4.14	3.48	6.25	4.25	6.75	4.88	PL86 PLA86	5.02	9.20	9.59	7.71	6.25 x 4.25
	203mm	156mm	105mm	88mm	159mm	108mm	171mm	124mm		127mm	234mm	244mm	196mm	159mm x 108mm
AM1084LW	10.14	8.26	4.13	3.45	8.25	6.25	8.75	6.88	PL108 PLA108	7.01	11.19	11.73	9.90	8.38 x 6.50
	258mm	210mm	105mm	88mm	210mm	159mm	222mm	175mm		178mm	284mm	299mm	251mm	213mm x 165mm
AM1086LW	10.14	8.26	6.13	5.45	8.25	6.25	8.75	6.88	PL108 PLA108	7.01	11.19	11.73	9.85	8.38 x 6.50
	258mm	210mm	156mm	138mm	210mm	159mm	222mm	175mm		178mm	284mm	298mm	250mm	213mm x 165mm
AM1206LW	12.14	10.26	6.13	5.46	10.25	8.25	10.75	8.88	PL120 PLA120	9.01	13.19	13.73	11.85	10.38 x 8.50
	308mm	261mm	156mm	139mm	260mm	210mm	273mm	225mm		229mm	335mm	349mm	301mm	264mm x 216mm
AM1224LW	12.14	12.14	4.13	3.50	10.25	10.25	10.75	10.75	PL122 PLA122	11.01	13.32	13.72	13.72	10.38 x 10.38
	308mm	308mm	105mm	89mm	260mm	260mm	273mm	273mm		280mm	338mm	348mm	348mm	264mm x 264mm
AM1226LW	12.14	12.14	6.13	5.50	10.25	10.25	10.75	10.75	PL122 PLA122	11.01	13.32	13.72	13.72	10.38 x 10.38
	308mm	308mm	156mm	140mm	260mm	260mm	273mm	273mm		280mm	338mm	348mm	348mm	264mm x 264mm
AM1426LW	14.14	12.26	6.13	5.48	12.25	10.25	12.75	10.88	PL142 PLA142	11.03	15.19	15.73	13.85	12.38 x 10.50
	359mm	312mm	156mm	139mm	311mm	260mm	324mm	276mm		280mm	386mm	399mm	352mm	314mm x 267mm
AM1648LW	16.27	14.40	8.13	7.46	14.25	12.25	14.75	12.88	P164 PA164	13.01	17.19	17.87	15.99	13.00 x 11.00
	413mm	366mm	207mm	189mm	362mm	311mm	375mm	327mm		330mm	437mm	454mm	406mm	330mm x 279mm
AM1868LW	18.40	16.40	8.13	7.46	16.25	14.25	16.88	14.88	P186 PA186	14.97	19.28	20.00	18.00	14.00 x 12.00
	467mm	417mm	207mm	189mm	413mm	362mm	429mm	378mm		380mm	490mm	508mm	457mm	356mm x 305mm
AM2068LW	20.00	16.00	8.13	7.46	17.81	13.81	18.44	14.44	P206 PA206	14.54	20.84	21.59	17.59	15.00 x 11.00
	508mm	406mm	207mm	189mm	452mm	351mm	468mm	367mm		369mm	529mm	548mm	447mm	381mm x 279mm

All dimensions are in inches unless otherwise noted

Enclosure base part numbers come standard with 4 separately bagged feet (ex. AM664LW)

Data subject to change without notice



# AM Series

## JIC SIZE JUNCTION BOXES

### Cover Type

Flat Solid/Opaque

### Closure Type

Twist Latch Hinged Cover



### Application

Designed to insulate and protect controls and components in both indoor and outdoor applications often found in oil refineries, waste water treatment equipment, chemical plants, and many other applications

- Especially well suited for high temperature or corrosive environments
- Protects from dirt, dust, oil and water
- For use with industrial control equipment

### Standards

- UL 50 and UL 50E Types 1, 2, 3, 3R, 4, 4X, 12 and 13
- Complies with:
  - NEMA Types 1, 2, 3, 3R, 4, 4X, 12 and 13
  - IEC 60529 Type IP66
  - RoHS directive

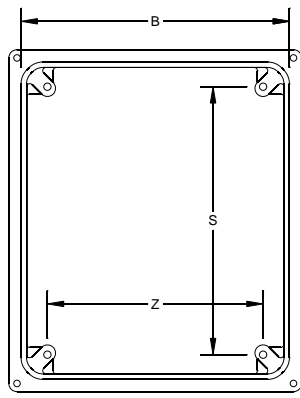
### Construction

- Strong, molded ULTRAGUARD® fiberglass reinforced polyester material construction with matching flat cover
- 316 stainless steel twist latches feature padlock hasp (.375" dia.)
- Continuous 316 stainless steel hinge
- Formed-In-Place (FIP) polyurethane gasket system encased in continuous channel
- 316 stainless steel wall mounting feet with 10-32 stainless steel screws included
- #10-32 threaded brass inserts for optional back panel installation
- JIC sizes
- ULTRAGUARD® fiberglass material is easily punched, drilled, or sawed
- UV stabilized for outdoor use

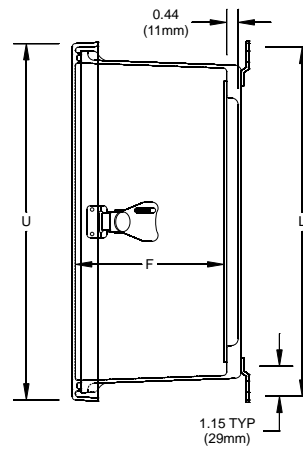
### Accessories & Modifications

- Custom holes and cutouts
- Custom size polycarbonate viewing windows
- Hinge installed on short side
- Molded-in color matching
- EMI/RFI shielding
- Factory-supplied custom printing

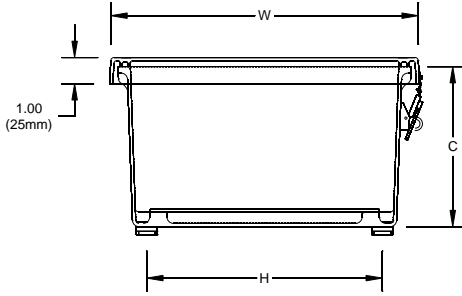




Note: Cover removed for clarity

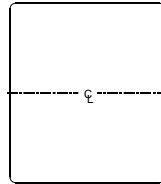


LATCH LOCATIONS

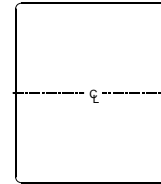


Nominal 1/8" (3mm) wall thickness

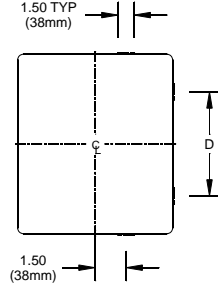
For use on  
6x6x4  
8x6x4  
10x8x4,6



For use on  
12x10x6 D=8.00 (203mm)  
12x12x4,6 D=8.00 (203mm)  
14x12x6 D=8.54 (217mm)  
16x14x8 D=8.54 (217mm)



For use on  
18x16x8 D=6.50 (165mm)  
20x16x8 D=10.52 (267mm)



Part No.	Box Size			Usable Depth F	Panel Boss Centers		Panel Sizes			Foot Mount Centers		Cover Size	
	A	B	C		S	Z	Ht.	Wid.	P/N	H	L	U	W
AM664T	6.10	6.10	4.18	3.76	4.25	4.25	4.81	4.81	PL66 PLA66	5.01	7.32	7.69	7.69
	155mm	155mm	106mm	95mm	108mm	108mm	122mm	122mm		127mm	186mm	195mm	195mm
AM864T	8.00	6.13	4.14	3.71	6.25	4.25	6.75	4.88	PL86 PLA86	5.02	9.20	9.59	7.71
	203mm	156mm	105mm	94mm	159mm	108mm	171mm	124mm		127mm	234mm	244mm	196mm
AM1084T	10.14	8.26	4.13	3.68	8.25	6.25	8.75	6.88	PL108 PLA108	7.01	11.19	11.73	9.90
	258mm	210mm	105mm	93mm	210mm	159mm	222mm	175mm		178mm	284mm	299mm	251mm
AM1086T	10.14	8.26	6.13	5.68	8.25	6.25	8.75	6.88	PL108 PLA108	7.01	11.19	11.73	9.85
	258mm	210mm	156mm	144mm	210mm	159mm	222mm	175mm		178mm	284mm	298mm	250mm
AM1206T	12.14	10.26	6.13	5.68	10.25	8.25	10.75	8.88	PL120 PLA120	9.01	13.19	13.73	11.85
	308mm	261mm	156mm	144mm	260mm	210mm	273mm	225mm		229mm	335mm	349mm	301mm
AM1224T	12.14	12.14	4.13	3.73	10.25	10.25	10.75	10.75	PL122 PLA122	11.01	13.32	13.72	13.72
	308mm	308mm	105mm	95mm	260mm	260mm	273mm	273mm		280mm	338mm	348mm	348mm
AM1226T	12.14	12.14	6.13	5.73	10.25	10.25	10.75	10.75	PL122 PLA122	11.01	13.32	13.72	13.72
	308mm	308mm	156mm	145mm	260mm	260mm	273mm	273mm		280mm	338mm	348mm	348mm
AM1426T	14.14	12.26	6.13	5.71	12.25	10.25	12.75	10.88	PL142 PLA142	11.03	15.19	15.73	13.85
	359mm	312mm	156mm	145mm	311mm	260mm	324mm	276mm		280mm	386mm	399mm	352mm
AM1648T	16.27	14.40	8.13	7.68	14.25	12.25	14.75	12.88	P164 PA164	13.01	17.19	17.87	15.99
	413mm	366mm	207mm	195mm	362mm	311mm	375mm	327mm		330mm	437mm	454mm	406mm
AM1868T	18.40	16.40	8.13	7.69	16.25	14.25	16.88	14.88	P186 PA186	14.97	19.28	20.00	18.00
	467mm	417mm	207mm	195mm	413mm	362mm	429mm	378mm		380mm	490mm	508mm	457mm
AM2068T	20.00	16.00	8.13	7.68	17.81	13.81	18.44	14.44	P206 PA206	14.54	20.84	21.59	17.59
	508mm	406mm	207mm	195mm	452mm	351mm	468mm	367mm		369mm	529mm	548mm	447mm

All dimensions are in inches unless otherwise noted

Data subject to change without notice

Enclosure base part numbers come standard with 4 separately bagged feet (ex. AM664T)



## AM Series

### JIC SIZE JUNCTION BOXES

#### Cover Type

Flat Viewing Window

#### Closure Type

Twist Latch Hinged Cover



#### Application

Designed to insulate and protect controls and components in both indoor and outdoor applications often found in oil refineries, waste water treatment equipment, chemical plants, and many other applications

- Especially well suited for high temperature or corrosive environments
- Protects from dirt, dust, oil and water
- For use with industrial control equipment
- Window unit provides viewing area for instrumentation or equipment

#### Standards

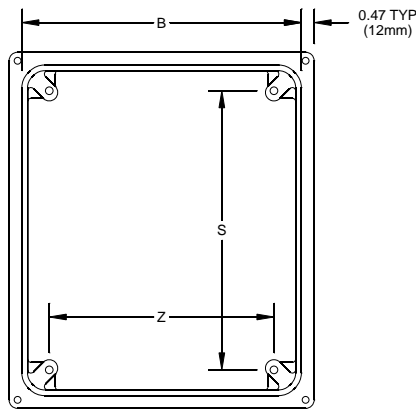
- UL 50 and UL 50E Types 1, 2, 3, 3R, 4, 4X, 12 and 13
- Complies with:
  - NEMA Types 1, 2, 3, 3R, 4, 4X, 12 and 13
  - IEC 60529 Type IP66
  - RoHS directive

#### Construction

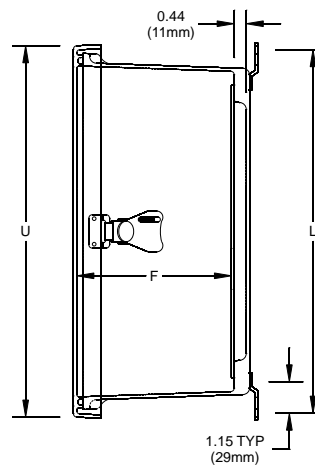
- Strong, molded ULTRAGUARD® fiberglass reinforced polyester material construction with matching flat cover
- UV resistant polycarbonate viewing window
- 316 stainless steel twist latches feature padlock hasp (.375" dia.)
- Continuous 316 stainless steel hinge
- Formed-In-Place (FIP) polyurethane gasket system encased in continuous channel
- 316 stainless steel wall mounting feet with 10-32 stainless steel screws included
- #10-32 threaded brass inserts for optional back panel installation
- JIC sizes
- ULTRAGUARD® fiberglass material is easily punched, drilled, or sawed
- UV stabilized for outdoor use

#### Accessories & Modifications

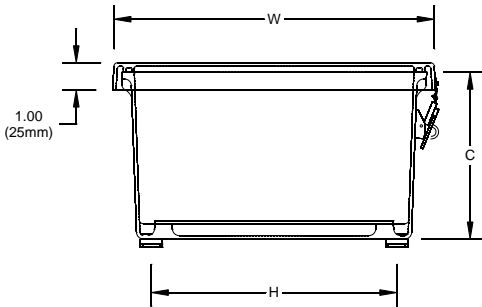
- Custom holes and cutouts
- Hinge installed on short side
- Molded-in color matching
- EMI/RFI shielding
- Factory-supplied custom printing



Note: Cover removed for clarity



LATCH LOCATIONS

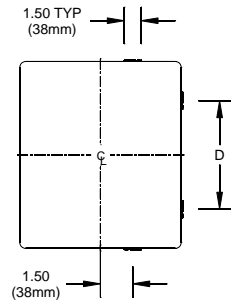
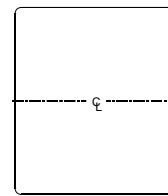
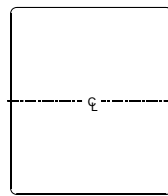


Nominal 1/8" (3mm) wall thickness

For use on  
6x6x4  
8x6x4  
10x8x4,6

For use on  
12x10x6 D=8.00 (203mm)  
12x12x4,6 D=8.00 (203mm)  
14x12x6 D=8.54 (217mm)  
16x14x8 D=8.54 (217mm)

For use on  
18x16x8 D=6.50 (165mm)  
20x16x8 D=10.52 (267mm)



Part No.	Box Size			Usable Depth F	Panel Boss Centers		Panel Sizes			Foot Mount Centers		Cover Size		Window Dimension (Height x Width)
	A	B	C		S	Z	Ht.	Wid.	P/N	H	L	U	W	
AM664TW	6.10	6.10	4.18	3.53	4.25	4.25	4.81	4.81	PL66 PLA66	5.01	7.32	7.69	7.69	4.25 x 4.25
	155mm	155mm	106mm	90mm	108mm	108mm	122mm	122mm		127mm	186mm	195mm	195mm	108mm x 108mm
AM864TW	8.00	6.13	4.14	3.48	6.25	4.25	6.75	4.88	PL86 PLA86	5.02	9.20	9.59	7.71	6.25 x 4.25
	203mm	156mm	105mm	88mm	159mm	108mm	171mm	124mm		127mm	234mm	244mm	196mm	159mm x 108mm
AM1084TW	10.14	8.26	4.13	3.45	8.25	6.25	8.75	6.88	PL108 PLA108	7.01	11.19	11.73	9.90	8.38 x 6.50
	258mm	210mm	105mm	88mm	210mm	159mm	222mm	175mm		178mm	284mm	299mm	251mm	213mm x 165mm
AM1086TW	10.14	8.26	6.13	5.45	8.25	6.25	8.75	6.88	PL108 PLA108	7.01	11.19	11.73	9.85	8.38 x 6.50
	258mm	210mm	156mm	138mm	210mm	159mm	222mm	175mm		178mm	284mm	298mm	250mm	213mm x 165mm
AM1206TW	12.14	10.26	6.13	5.46	10.25	8.25	10.75	8.88	PL120 PLA120	9.01	13.19	13.73	11.85	10.38 x 8.50
	308mm	261mm	156mm	139mm	260mm	210mm	273mm	225mm		229mm	335mm	349mm	301mm	264mm x 216mm
AM1224TW	12.14	12.14	4.13	3.50	10.25	10.25	10.75	10.75	PL122 PLA122	11.01	13.32	13.72	13.72	10.38 x 10.38
	308mm	308mm	105mm	89mm	260mm	260mm	273mm	273mm		280mm	338mm	348mm	348mm	264mm x 264mm
AM1226TW	12.14	12.14	6.13	5.50	10.25	10.25	10.75	10.75	PL122 PLA122	11.01	13.32	13.72	13.72	10.38 x 10.38
	308mm	308mm	156mm	140mm	260mm	260mm	273mm	273mm		280mm	338mm	348mm	348mm	264mm x 264mm
AM1426TW	14.14	12.26	6.13	5.48	12.25	10.25	12.75	10.88	PL142 PLA142	11.03	15.19	15.73	13.85	12.38 x 10.50
	359mm	312mm	156mm	139mm	311mm	260mm	324mm	276mm		280mm	386mm	399mm	352mm	314mm x 267mm
AM1648TW	16.27	14.40	8.13	7.46	14.25	12.25	14.75	12.88	P164 PA164	13.01	17.19	17.87	15.99	13.00 x 11.00
	413mm	366mm	207mm	189mm	362mm	311mm	375mm	327mm		330mm	437mm	454mm	406mm	330mm x 279mm
AM1868TW	18.40	16.40	8.13	7.46	16.25	14.25	16.88	14.88	P186 PA186	14.97	19.28	20.00	18.00	14.00 x 12.00
	467mm	417mm	207mm	189mm	413mm	362mm	429mm	378mm		380mm	490mm	508mm	457mm	356mm x 305mm
AM2068TW	20.00	16.00	8.13	7.46	17.81	13.81	18.44	14.44	P206 PA206	14.54	20.84	21.59	17.59	15.00 x 11.00
	508mm	406mm	207mm	189mm	452mm	351mm	468mm	367mm		369mm	529mm	548mm	447mm	381mm x 279mm

All dimensions are in inches unless otherwise noted  
Enclosure base part numbers come standard with 4 separately bagged feet (ex. AM664TW)

Data subject to change without notice

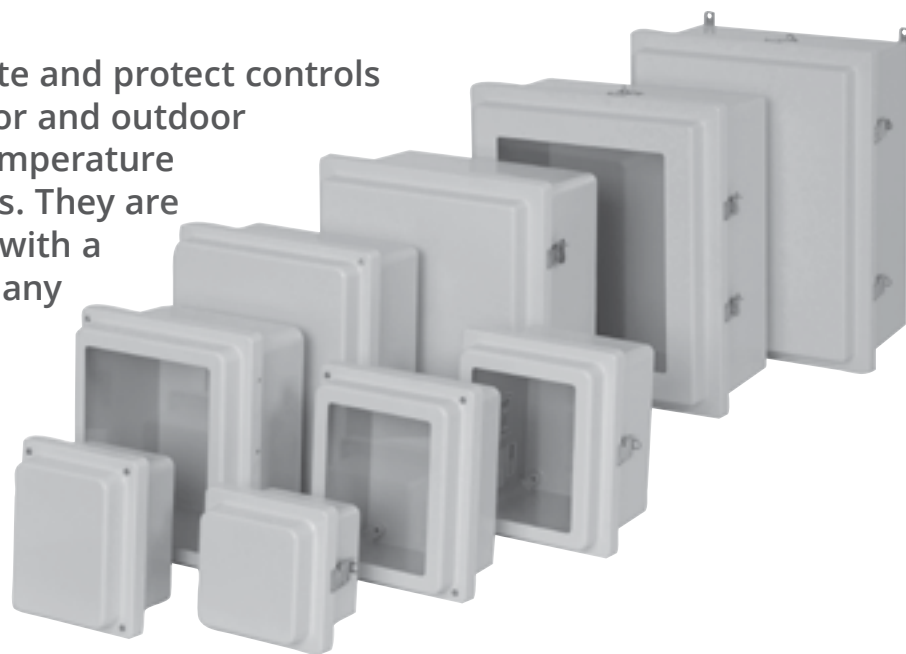




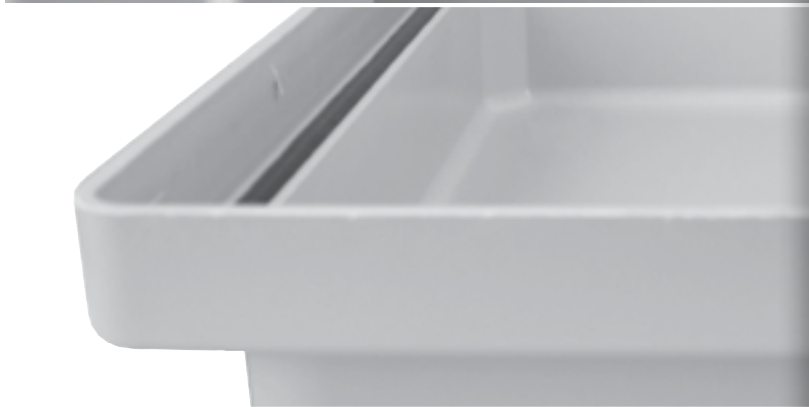
# AM-R SERIES FIBERGLASS

The AM-R Series offers the same sizes and options as our AM series, with the added feature of a raised cover. The cover adds an additional 1-3/4" of depth to accommodate switches and other devices, and can be used with an optional hinged front panel (HFP) for maximum configuration flexibility within a single enclosure.

AM-R Series enclosures insulate and protect controls and components in both indoor and outdoor applications, including high temperature and/or corrosive environments. They are available in standard JIC sizes with a variety of latching options for any application.



Scan to learn more



## AM-R Series Features & Benefits

- Molded ULTRAGUARD® fiberglass reinforced polyester (FRP) material construction for durability
- Continuous 316 stainless steel hinge
- Formed-In-Place (FIP) polyurethane gasket system
- Matching raised cover
- 316 stainless steel hardware and mounting feet
- Mounting panel inserts for optional back panel
- UV stabilized for outdoor use

## AM-R Series Specifications

- Non-corrosive
- Non-conductive
- Standard RAL 7035 light gray color
- Temperature-resistant
- Fire-resistant
- Rated NEMA 1, 2, 3, 3R, 4, 4X, 12, 13
- UL® listed
- Compliant with RoHS directive

## Accessories

- Optional hinged front panels
- ULTRAPLUG® hole plugs
- Pole mount kits
- HMI cover kits
- Inspection windows
- UV resistant polycarbonate viewing windows

## Modifications

We are pleased to modify any of our standard products to fit your needs with:

- Custom holes and cutouts
- Custom size polycarbonate viewing windows
- Molded-in color matching
- Hinge installed on short side
- EMI/RFI shielding
- Factory-supplied custom printing

*For complete details on factory modifications including a modification request form, see pages 1-3.*

[www.alliedmoulded.com](http://www.alliedmoulded.com)

MODS

TECHNICAL

STANDARDS

ULTRAGUARD®

FIBERGLASS

AM SERIES

AM-R

AMHD-R

CONTROL

EMPIRE

ULTRALINE®

POLYLINE®

ACCESSORIES

INDEX

# AM-R Series

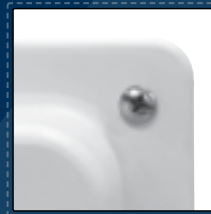
## JIC SIZE JUNCTION BOXES

### Cover Type

Raised Solid/Opaque

### Latching Option

Lift-Off Screw Cover



### Application

Designed to insulate and protect controls and components in both indoor and outdoor applications often found in oil refineries, waste water treatment equipment, chemical plants, and many other applications

- Especially well suited for high temperature or corrosive environments
- Protects from dirt, dust, oil and water
- For use with industrial control equipment

### Standards

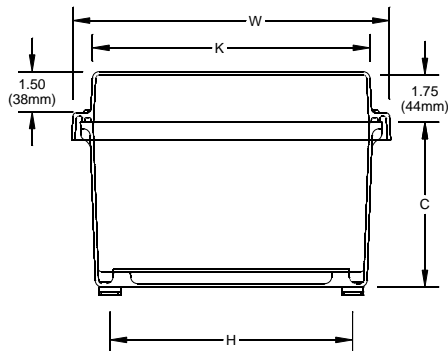
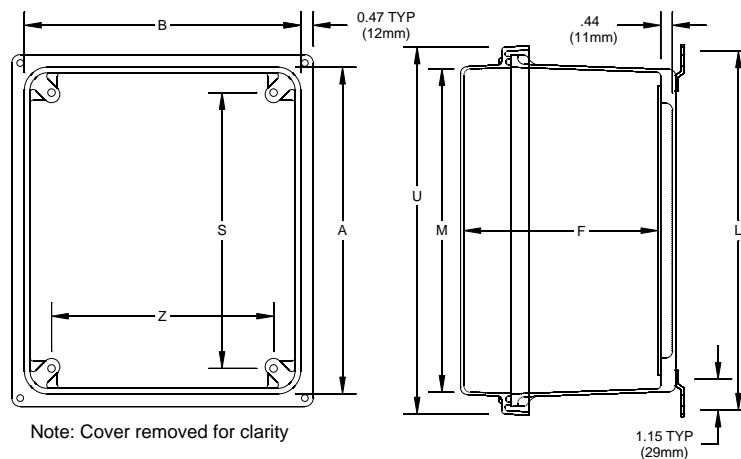
- UL 50 and UL 50E Types 1, 2, 3, 3R, 4, 4X, (6P for sizes 6"x6" up through 14"x12"), 12 and 13
- Complies with:
  - NEMA Types 1, 2, 3, 3R, 4, 4X, (6P for sizes 6"x6" up through 14"x12"), 12 and 13
  - IEC 60529 Type IP68 submersible up to 24 hours at a depth of 6 feet (1.8 meters)
  - RoHS directive

### Construction

- Strong, molded ULTRAGUARD® fiberglass reinforced polyester material construction with matching raised cover
- 316 stainless steel captive cover screws
- Formed-In-Place (FIP) polyurethane gasket system encased in continuous channel
- 316 stainless steel wall mounting feet with 10-32 stainless steel screws included
- #10-32 threaded brass inserts for optional back panel installation
- JIC sizes
- ULTRAGUARD® fiberglass material is easily punched, drilled, or sawed
- UV stabilized for outdoor use

### Accessories & Modifications

- Custom holes and cutouts
- Custom size polycarbonate viewing windows
- Molded-in color matching
- EMI/RFI shielding
- Factory-supplied custom printing



Nominal 1/8" (3mm) wall thickness

Part No.	Box Size			Usable Depth	Panel Boss Centers		Panel Sizes			Foot Mount Centers		Cover Size			
	A	B	C		F	S	Z	Ht.	Wid.	P/N	H	L	K	M	U
AM664R	6.10	6.10	4.18	5.29	4.25	4.25	4.81	4.81	PL66 PLA66	5.01	7.32	6.08	6.08	7.69	7.69
	155mm	155mm	106mm	134mm	108mm	108mm	122mm	122mm		127mm	186mm	154mm	154mm	195mm	195mm
AM864R	8.00	6.13	4.14	5.21	6.25	4.25	6.75	4.88	PL86 PLA86	5.02	9.20	7.71	7.98	9.59	7.71
	203mm	156mm	105mm	132mm	159mm	108mm	171mm	124mm		127mm	234mm	196mm	203mm	244mm	196mm
AM1084R	10.14	8.26	4.13	5.21	8.25	6.25	8.75	6.88	PL108 PLA108	7.01	11.19	8.29	10.16	11.73	9.90
	258mm	210mm	105mm	132mm	210mm	159mm	222mm	175mm		178mm	284mm	211mm	258mm	299mm	251mm
AM1086R	10.14	8.26	6.13	7.21	8.25	6.25	8.75	6.88	PL108 PLA108	7.01	11.19	8.29	10.16	11.73	9.85
	258mm	210mm	156mm	183mm	210mm	159mm	222mm	175mm		178mm	284mm	211mm	258mm	298mm	250mm
AM1206R	12.14	10.26	6.13	7.21	10.25	8.25	10.75	8.88	PL120 PLA120	9.01	13.19	10.29	12.16	13.73	11.85
	308mm	261mm	156mm	183mm	260mm	210mm	273mm	225mm		229mm	335mm	261mm	309mm	349mm	301mm
AM1224R	12.14	12.14	4.13	5.26	10.25	10.25	10.75	10.75	PL122 PLA122	11.01	13.32	12.16	12.16	13.72	13.72
	308mm	308mm	105mm	134mm	260mm	260mm	273mm	273mm		280mm	338mm	309mm	309mm	348mm	348mm
AM1226R	12.14	12.14	6.13	7.26	10.25	10.25	10.75	10.75	PL122 PLA122	11.01	13.32	12.16	12.16	13.72	13.72
	308mm	308mm	156mm	184mm	260mm	260mm	273mm	273mm		280mm	338mm	309mm	309mm	348mm	348mm
AM1426R	14.14	12.26	6.13	7.21	12.25	10.25	12.75	10.88	PL142 PLA142	11.03	15.19	12.29	14.16	15.73	13.85
	359mm	312mm	156mm	183mm	311mm	260mm	324mm	276mm		280mm	386mm	312mm	360mm	399mm	352mm
AM1648R	16.27	14.40	8.13	9.21	14.25	12.25	14.75	12.88	P164 PA164	13.01	17.19	13.70	15.57	17.87	15.99
	413mm	366mm	207mm	234mm	362mm	311mm	375mm	327mm		330mm	437mm	348mm	395mm	454mm	406mm
AM1868R	18.40	16.40	8.13	9.22	16.25	14.25	16.88	14.88	P186 PA186	14.97	19.28	15.70	17.70	20.00	18.00
	467mm	417mm	207mm	234mm	413mm	362mm	429mm	378mm		380mm	490mm	399mm	450mm	508mm	457mm
AM2068R	20.00	16.00	8.13	9.21	17.81	13.81	18.44	14.44	P206 PA206	14.54	20.84	15.27	19.27	21.59	17.59
	508mm	406mm	207mm	234mm	452mm	351mm	468mm	367mm		369mm	529mm	388mm	489mm	548mm	447mm

All dimensions are in inches unless otherwise noted  
 Sizes 6" x 6" up through 14" x 12" are rated 6P (IP68)  
 Enclosure base part numbers come standard with 4 separately bagged feet (ex. AM664R)

Data subject to change without notice



## AM-R Series

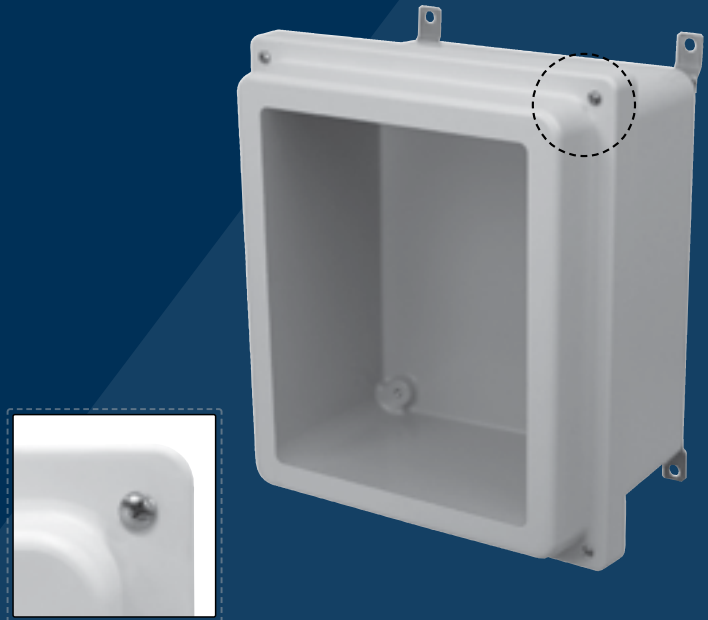
### JIC SIZE JUNCTION BOXES

#### Cover Type

Raised Viewing Window

#### Closure Type

Lift-Off Screw Cover



#### Application

Designed to insulate and protect controls and components in both indoor and outdoor applications often found in oil refineries, waste water treatment equipment, chemical plants, and many other applications

- Especially well suited for high temperature or corrosive environments
- Protects from dirt, dust, oil and water
- For use with industrial control equipment
- Window unit provides viewing area for instrumentation or equipment

#### Standards

- UL 50 and UL 50E Types 1, 2, 3, 3R, 4, 4X, 12 and 13
- Complies with:
  - NEMA Types 1, 2, 3, 3R, 4, 4X, 12 and 13
  - IEC 60529 Type IP66
  - RoHS directive

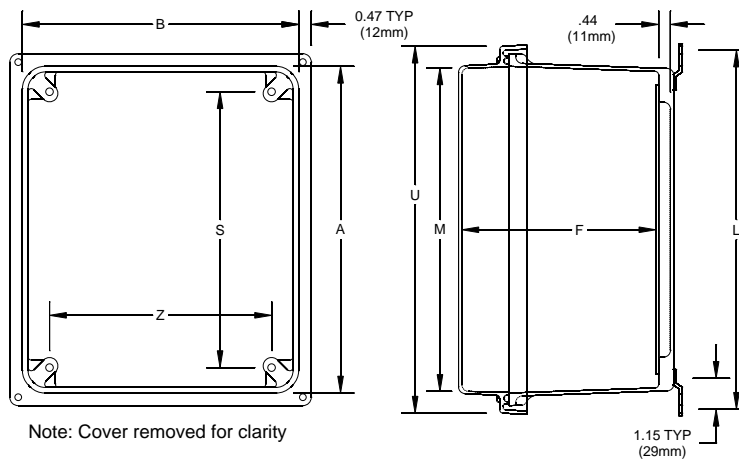
#### Construction

- Strong, molded ULTRAGUARD® fiberglass reinforced polyester material construction with matching raised cover
- UV resistant polycarbonate viewing window
- 316 stainless steel captive cover screws
- Formed-In-Place (FIP) polyurethane gasket system encased in continuous channel
- 316 stainless steel wall mounting feet with 10-32 stainless steel screws included
- #10-32 threaded brass inserts for optional back panel installation
- JIC sizes
- ULTRAGUARD® fiberglass material is easily punched, drilled, or sawed
- UV stabilized for outdoor use

#### Accessories & Modifications

- Custom holes and cutouts
- Molded-in color matching
- EMI/RFI shielding
- Factory-supplied custom printing





Nominal 1/8" (3mm) wall thickness

Part No.	Box Size			Usable Depth	Panel Boss Centers		Panel Sizes			Foot Mount Centers		Cover Size				Window Dimension (Height x Width)
	A	B	C		F	S	Z	Ht.	Wid.	P/N	H	L	K	M	U	
AM664RW	6.10	6.10	4.18	5.06	4.25	4.25	4.81	4.81	PL66 PLA66	5.01	7.32	6.08	6.08	7.69	7.69	4.25 x 4.25
	155mm	155mm	106mm	129mm	108mm	108mm	122mm	122mm		127mm	186mm	154mm	154mm	195mm	195mm	108mm x 108mm
AM864RW	8.00	6.13	4.14	4.98	6.25	4.25	6.75	4.88	PL86 PLA86	5.02	9.20	7.71	7.98	9.59	7.71	6.25 x 4.25
	203mm	156mm	105mm	126mm	159mm	108mm	171mm	124mm		127mm	234mm	196mm	203mm	244mm	196mm	159mm x 108mm
AM1084RW	10.14	8.26	4.13	4.98	8.25	6.25	8.75	6.88	PL108 PLA108	7.01	11.19	8.29	10.16	11.73	9.90	8.38 x 6.50
	258mm	210mm	105mm	126mm	210mm	159mm	222mm	175mm		178mm	284mm	211mm	258mm	299mm	251mm	213mm x 165mm
AM1086RW	10.14	8.26	6.13	7.00	8.25	6.25	8.75	6.88	PL108 PLA108	7.01	11.19	8.29	10.16	11.73	9.85	8.38 x 6.50
	258mm	210mm	156mm	178mm	210mm	159mm	222mm	175mm		178mm	284mm	211mm	258mm	298mm	250mm	213mm x 165mm
AM1206RW	12.14	10.26	6.13	6.98	10.25	8.25	10.75	8.88	PL120 PLA120	9.01	13.19	10.29	12.16	13.73	11.85	10.38 x 8.50
	308mm	261mm	156mm	177mm	260mm	210mm	273mm	225mm		229mm	335mm	261mm	309mm	349mm	301mm	264mm x 216mm
AM1224RW	12.14	12.14	4.13	5.03	10.25	10.25	10.75	10.75	PL122 PLA122	11.01	13.32	12.16	12.16	13.72	13.72	10.38 x 10.38
	308mm	308mm	105mm	128mm	260mm	260mm	273mm	273mm		280mm	338mm	309mm	309mm	348mm	348mm	264mm x 264mm
AM1226RW	12.14	12.14	6.13	7.03	10.25	10.25	10.75	10.75	PL122 PLA122	11.01	13.32	12.16	12.16	13.72	13.72	10.38 x 10.38
	308mm	308mm	156mm	179mm	260mm	260mm	273mm	273mm		280mm	338mm	309mm	309mm	348mm	348mm	264mm x 264mm
AM1426RW	14.14	12.26	6.13	6.98	12.25	10.25	12.75	10.88	PL142 PLA142	11.03	15.19	12.29	14.16	15.73	13.85	12.38 x 10.50
	359mm	312mm	156mm	177mm	311mm	260mm	324mm	276mm		280mm	386mm	312mm	360mm	399mm	352mm	314mm x 267mm
AM1648RW	16.27	14.40	8.13	8.98	14.25	12.25	14.75	12.88	P164 PA164	13.01	17.19	13.70	15.57	17.87	15.99	13.00 x 11.00
	413mm	366mm	207mm	228mm	362mm	311mm	375mm	327mm		330mm	437mm	348mm	395mm	454mm	406mm	330mm x 279mm
AM1868RW	18.40	16.40	8.13	8.99	16.25	14.25	16.88	14.88	P186 PA186	14.97	19.28	15.70	17.70	20.00	18.00	14.00 x 12.00
	467mm	417mm	207mm	228mm	413mm	362mm	429mm	378mm		380mm	490mm	399mm	450mm	508mm	457mm	356mm x 305mm
AM2068RW	20.00	16.00	8.13	8.98	17.81	13.81	18.44	14.44	P206 PA206	14.54	20.84	15.27	19.27	21.59	17.59	15.00 x 11.00
	508mm	406mm	207mm	228mm	452mm	351mm	468mm	367mm		369mm	529mm	388mm	489mm	548mm	447mm	381mm x 279mm

All dimensions are in inches unless otherwise noted  
Enclosure base part numbers come standard with 4 separately bagged feet (ex. AM664RW)

Data subject to change without notice



# AM-R Series

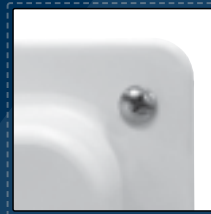
## JIC SIZE JUNCTION BOXES

### Cover Type

Raised Solid/Opaque

### Closure Type

Hinged Screw Cover



### Application

Designed to insulate and protect controls and components in both indoor and outdoor applications often found in oil refineries, waste water treatment equipment, chemical plants, and many other applications

- Especially well suited for high temperature or corrosive environments
- Protects from dirt, dust, oil and water
- For use with industrial control equipment

### Standards

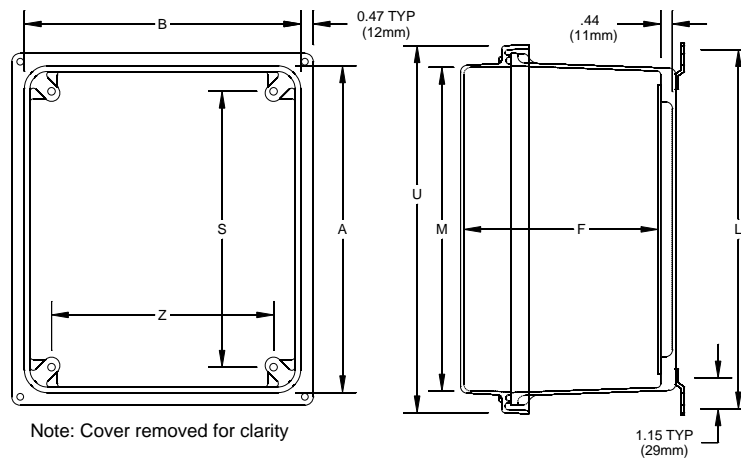
- UL 50 and UL 50E Types 1, 2, 3, 3R, 4, 4X, 12 and 13
- Complies with:
  - NEMA Types 1, 2, 3, 3R, 4, 4X, 12 and 13
  - IEC 60529 Type IP66
  - RoHS directive

### Construction

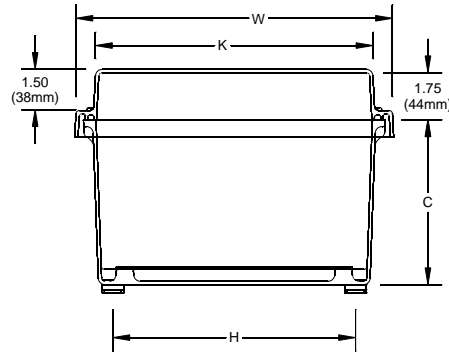
- Strong, molded ULTRAGUARD® fiberglass reinforced polyester material construction with matching raised cover
- 316 stainless steel captive cover screws
- Continuous 316 stainless steel hinge
- Formed-In-Place (FIP) polyurethane gasket system encased in continuous channel
- 316 stainless steel wall mounting feet with 10-32 stainless steel screws included
- #10-32 threaded brass inserts for optional back panel installation
- JIC sizes
- ULTRAGUARD® fiberglass material is easily punched, drilled, or sawed
- UV stabilized for outdoor use

### Accessories & Modifications

- Custom holes and cutouts
- Custom size polycarbonate viewing windows
- Hinge installed on short side
- Molded-in color matching
- EMI/RFI shielding
- Factory-supplied custom printing



Note: Cover removed for clarity



Nominal 1/8" (3mm) wall thickness

Part No.	Box Size			Usable Depth	Panel Boss Centers			Panel Sizes			Foot Mount Centers		Cover Size			
	A	B	C		F	S	Z	Ht.	Wid.	P/N	H	L	K	M	U	W
AM664RH	6.10	6.10	4.18	5.29	4.25	4.25	4.81	4.81	PL66 PLA66	5.01	7.32	6.08	6.08	7.69	7.69	
	155mm	155mm	106mm	134mm	108mm	108mm	122mm	122mm		127mm	186mm	154mm	154mm	195mm	195mm	
AM864RH	8.00	6.13	4.14	5.21	6.25	4.25	6.75	4.88	PL86 PLA86	5.02	9.20	7.71	7.98	9.59	7.71	
	203mm	156mm	105mm	132mm	159mm	108mm	171mm	124mm		127mm	234mm	196mm	203mm	244mm	196mm	
AM1084RH	10.14	8.26	4.13	5.21	8.25	6.25	8.75	6.88	PL108 PLA108	7.01	11.19	8.29	10.16	11.73	9.90	
	258mm	210mm	105mm	132mm	210mm	159mm	222mm	175mm		178mm	284mm	211mm	258mm	299mm	251mm	
AM1086RH	10.14	8.26	6.13	7.21	8.25	6.25	8.75	6.88	PL108 PLA108	7.01	11.19	8.29	10.16	11.73	9.85	
	258mm	210mm	156mm	183mm	210mm	159mm	222mm	175mm		178mm	284mm	211mm	258mm	298mm	250mm	
AM1206RH	12.14	10.26	6.13	7.21	10.25	8.25	10.75	8.88	PL120 PLA120	9.01	13.19	10.29	12.16	13.73	11.85	
	308mm	261mm	156mm	183mm	260mm	210mm	273mm	225mm		229mm	335mm	261mm	309mm	349mm	301mm	
AM1224RH	12.14	12.14	4.13	5.26	10.25	10.25	10.75	10.75	PL122 PLA122	11.01	13.32	12.16	12.16	13.72	13.72	
	308mm	308mm	105mm	134mm	260mm	260mm	273mm	273mm		280mm	338mm	309mm	309mm	348mm	348mm	
AM1226RH	12.14	12.14	6.13	7.26	10.25	10.25	10.75	10.75	PL122 PLA122	11.01	13.32	12.16	12.16	13.72	13.72	
	308mm	308mm	156mm	184mm	260mm	260mm	273mm	273mm		280mm	338mm	309mm	309mm	348mm	348mm	
AM1426RH	14.14	12.26	6.13	7.21	12.25	10.25	12.75	10.88	PL142 PLA142	11.03	15.19	12.29	14.16	15.73	13.85	
	359mm	312mm	156mm	183mm	311mm	260mm	324mm	276mm		280mm	386mm	312mm	360mm	399mm	352mm	
AM1648RH	16.27	14.40	8.13	9.21	14.25	12.25	14.75	12.88	P164 PA164	13.01	17.19	13.70	15.57	17.87	15.99	
	413mm	366mm	207mm	234mm	362mm	311mm	375mm	327mm		330mm	437mm	348mm	395mm	454mm	406mm	
AM1868RH	18.40	16.40	8.13	9.22	16.25	14.25	16.88	14.88	P186 PA186	14.97	19.28	15.70	17.70	20.00	18.00	
	467mm	417mm	207mm	234mm	413mm	362mm	429mm	378mm		380mm	490mm	399mm	450mm	508mm	457mm	
AM2068RH	20.00	16.00	8.13	9.21	17.81	13.81	18.44	14.44	P206 PA206	14.54	20.84	15.27	19.27	21.59	17.59	
	508mm	406mm	207mm	234mm	452mm	351mm	468mm	367mm		369mm	529mm	388mm	489mm	548mm	447mm	

All dimensions are in inches unless otherwise noted

Enclosure base part numbers come standard with 4 separately bagged feet (ex. AM664RH)

Data subject to change without notice



## AM-R Series

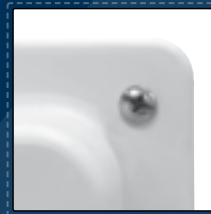
### JIC SIZE JUNCTION BOXES

#### Cover Type

Raised Viewing Window

#### Closure Type

Hinged Screw Cover



#### Application

Designed to insulate and protect controls and components in both indoor and outdoor applications often found in oil refineries, waste water treatment equipment, chemical plants, and many other applications

- Especially well suited for high temperature or corrosive environments
- Protects from dirt, dust, oil and water
- For use with industrial control equipment
- Window unit provides viewing area for instrumentation or equipment

#### Standards

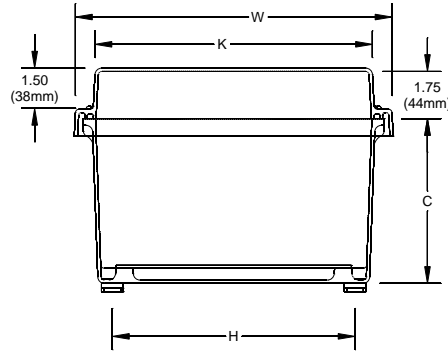
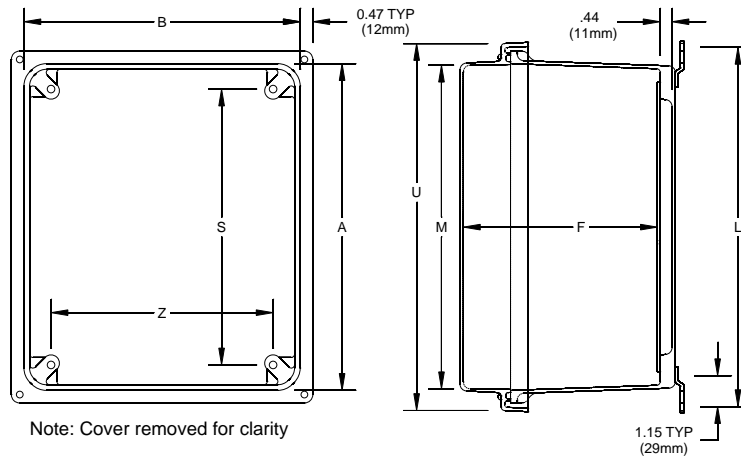
- UL 50 and UL 50E Types 1, 2, 3, 3R, 4, 4X, 12 and 13
- Complies with:
  - NEMA Types 1, 2, 3, 3R, 4, 4X, 12 and 13
  - IEC 60529 Type IP66
  - RoHS directive

#### Construction

- Strong, molded ULTRAGUARD® fiberglass reinforced polyester material construction with matching raised cover
- UV resistant polycarbonate viewing window
- 316 stainless steel captive cover screws
- Continuous 316 stainless steel hinge
- Formed-In-Place (FIP) polyurethane gasket system encased in continuous channel
- 316 stainless steel wall mounting feet with 10-32 stainless steel screws included
- #10-32 threaded brass inserts for optional back panel installation
- JIC sizes
- ULTRAGUARD® fiberglass material is easily punched, drilled, or sawed
- UV stabilized for outdoor use

#### Accessories & Modifications

- Custom holes and cutouts
- Hinge installed on short side
- Molded-in color matching
- EMI/RFI shielding
- Factory-supplied custom printing



Nominal 1/8" (3mm) wall thickness

Part No.	Box Size			Usable Depth	Panel Boss Centers		Panel Sizes			Foot Mount Centers	Cover Size				Window Dimension (Height x Width)	
	A	B	C		F	S	Z	Ht.	Wid.		P/N	H	L	K		M
AM664RHW	6.10	6.10	4.18	5.06	4.25	4.25	4.81	4.81	PL66 PLA66	5.01	7.32	6.08	6.08	7.69	7.69	4.25 x 4.25
	155mm	155mm	106mm	129mm	108mm	108mm	122mm	122mm		127mm	186mm	154mm	154mm	195mm	195mm	108mm x 108mm
AM864RHW	8.00	6.13	4.14	4.98	6.25	4.25	6.75	4.88	PL86 PLA86	5.02	9.20	7.71	7.98	9.59	7.71	6.25 x 4.25
	203mm	156mm	105mm	126mm	159mm	108mm	171mm	124mm		127mm	234mm	196mm	203mm	244mm	196mm	159mm x 108mm
AM1084RHW	10.14	8.26	4.13	4.98	8.25	6.25	8.75	6.88	PL108 PLA108	7.01	11.19	8.29	10.16	11.73	9.90	8.38 x 6.50
	258mm	210mm	105mm	126mm	210mm	159mm	222mm	175mm		178mm	284mm	211mm	258mm	299mm	251mm	213mm x 165mm
AM1086RHW	10.14	8.26	6.13	7.00	8.25	6.25	8.75	6.88	PL108 PLA108	7.01	11.19	8.29	10.16	11.73	9.85	8.38 x 6.50
	258mm	210mm	156mm	178mm	210mm	159mm	222mm	175mm		178mm	284mm	211mm	258mm	298mm	250mm	213mm x 165mm
AM1206RHW	12.14	10.26	6.13	6.98	10.25	8.25	10.75	8.88	PL120 PLA120	9.01	13.19	10.29	12.16	13.73	11.85	10.38 x 8.50
	308mm	261mm	156mm	177mm	260mm	210mm	273mm	225mm		229mm	335mm	261mm	309mm	349mm	301mm	264mm x 216mm
AM1224RHW	12.14	12.14	4.13	5.03	10.25	10.25	10.75	10.75	PL122 PLA122	11.01	13.32	12.16	12.16	13.72	13.72	10.38 x 10.38
	308mm	308mm	105mm	128mm	260mm	260mm	273mm	273mm		280mm	338mm	309mm	309mm	348mm	348mm	264mm x 264mm
AM1226RHW	12.14	12.14	6.13	7.03	10.25	10.25	10.75	10.75	PL122 PLA122	11.01	13.32	12.16	12.16	13.72	13.72	10.38 x 10.38
	308mm	308mm	156mm	179mm	260mm	260mm	273mm	273mm		280mm	338mm	309mm	309mm	348mm	348mm	264mm x 264mm
AM1426RHW	14.14	12.26	6.13	6.98	12.25	10.25	12.75	10.88	PL142 PLA142	11.03	15.19	12.29	14.16	15.73	13.85	12.38 x 10.50
	359mm	312mm	156mm	177mm	311mm	260mm	324mm	276mm		280mm	386mm	312mm	360mm	399mm	352mm	314mm x 267mm
AM1648RHW	16.27	14.40	8.13	8.98	14.25	12.25	14.75	12.88	P164 PA164	13.01	17.19	13.70	15.57	17.87	15.99	13.00 x 11.00
	413mm	366mm	207mm	228mm	362mm	311mm	375mm	327mm		330mm	437mm	348mm	395mm	454mm	406mm	330mm x 279mm
AM1868RHW	18.40	16.40	8.13	8.99	16.25	14.25	16.88	14.88	P186 PA186	14.97	19.28	15.70	17.70	20.00	18.00	14.00 x 12.00
	467mm	417mm	207mm	228mm	413mm	362mm	429mm	378mm		380mm	490mm	399mm	450mm	508mm	457mm	356mm x 305mm
AM2068RHW	20.00	16.00	8.13	8.98	17.81	13.81	18.44	14.44	P206 PA206	14.54	20.84	15.27	19.27	21.59	17.59	15.00 x 11.00
	508mm	406mm	207mm	228mm	452mm	351mm	468mm	367mm		369mm	529mm	388mm	489mm	548mm	447mm	381mm x 279mm

All dimensions are in inches unless otherwise noted  
Enclosure base part numbers come standard with 4 separately bagged feet (ex. AM664RHW)

Data subject to change without notice



# AM-R Series

## JIC SIZE JUNCTION BOXES

### Cover Type

Raised Solid/Opaque

### Closure Type

Snap Latch Hinged Cover



### Application

Designed to insulate and protect controls and components in both indoor and outdoor applications often found in oil refineries, waste water treatment equipment, chemical plants, and many other applications

- Especially well suited for high temperature or corrosive environments
- Protects from dirt, dust, oil and water
- For use with industrial control equipment

### Standards

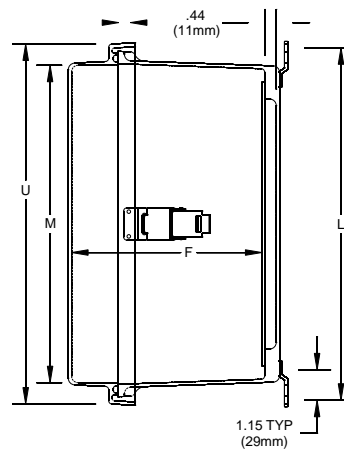
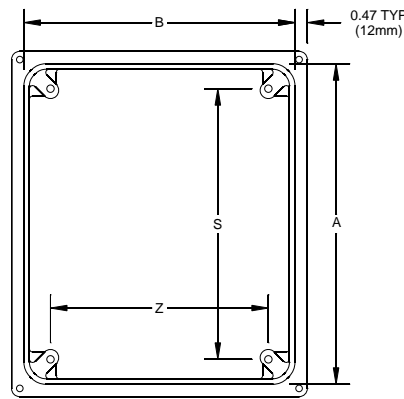
- UL 50 and UL 50E Types 1, 2, 3, 3R, 4, 4X, 12 and 13
- Complies with:
  - NEMA Types 1, 2, 3, 3R, 4, 4X, 12 and 13
  - IEC 60529 Type IP66
  - RoHS directive

### Construction

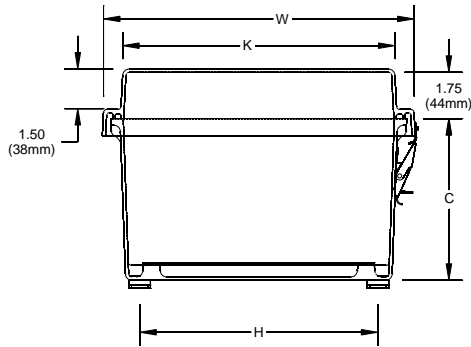
- Strong, molded ULTRAGUARD® fiberglass reinforced polyester material construction with matching raised cover
- 316 stainless steel snap latches feature padlock hasp (.375" dia.)
- Continuous 316 stainless steel hinge
- Formed-In-Place (FIP) polyurethane gasket system encased in continuous channel
- 316 stainless steel wall mounting feet with 10-32 stainless steel screws included
- #10-32 threaded brass inserts for optional back panel installation
- JIC sizes
- ULTRAGUARD® fiberglass material is easily punched, drilled, or sawed
- UV stabilized for outdoor use

### Accessories & Modifications

- Custom holes and cutouts
- Custom size polycarbonate viewing windows
- Hinge installed on short side
- Molded-in color matching
- EMI/RFI shielding
- Factory-supplied custom printing



Note: Cover removed for clarity



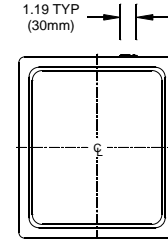
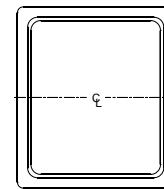
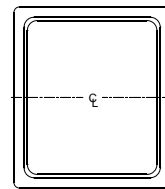
Nominal 1/8" (3mm) wall thickness

LATCH LOCATIONS

For use on  
6x6x4  
8x6x4  
10x8x4.6

For use on  
12x10x6 D=8.00 (203mm)  
12x12x4.6 D=8.00 (203mm)  
14x12x6 D=8.50 (216mm)  
16x14x8 D=8.61 (219mm)

For use on  
18x16x8 D=6.50 (165mm)  
20x16x8 D=10.52 (267mm)



1.50 TYP (38mm)

Part No.	Box Size			Usable Depth	Panel Boss Centers		Panel Sizes			Foot Mount Centers		Cover Size			
	A	B	C		F	S	Z	Ht.	Wid.	P/N	H	L	K	M	U
AM664RL	6.10	6.10	4.18	5.29	4.25	4.25	4.81	4.81	PL66 PLA66	5.01	7.32	6.08	6.08	7.69	7.69
	155mm	155mm	106mm	134mm	108mm	108mm	122mm	122mm		127mm	186mm	154mm	154mm	195mm	195mm
AM864RL	8.00	6.13	4.14	5.21	6.25	4.25	6.75	4.88	PL86 PLA86	5.02	9.20	7.71	7.98	9.59	7.71
	203mm	156mm	105mm	132mm	159mm	108mm	171mm	124mm		127mm	234mm	196mm	203mm	244mm	196mm
AM1084RL	10.14	8.26	4.13	5.21	8.25	6.25	8.75	6.88	PL108 PLA108	7.01	11.19	8.29	10.16	11.73	9.90
	258mm	210mm	105mm	132mm	210mm	159mm	222mm	175mm		178mm	284mm	211mm	258mm	299mm	251mm
AM1086RL	10.14	8.26	6.13	7.21	8.25	6.25	8.75	6.88	PL108 PLA108	7.01	11.19	8.29	10.16	11.73	9.85
	258mm	210mm	156mm	183mm	210mm	159mm	222mm	175mm		178mm	284mm	211mm	258mm	298mm	250mm
AM1206RL	12.14	10.26	6.13	7.21	10.25	8.25	10.75	8.88	PL120 PLA120	9.01	13.19	10.29	12.16	13.73	11.85
	308mm	261mm	156mm	183mm	260mm	210mm	273mm	225mm		229mm	335mm	261mm	309mm	349mm	301mm
AM1224RL	12.14	12.14	4.13	5.26	10.25	10.25	10.75	10.75	PL122 PLA122	11.01	13.32	12.16	12.16	13.72	13.72
	308mm	308mm	105mm	134mm	260mm	260mm	273mm	273mm		280mm	338mm	309mm	309mm	348mm	348mm
AM1226RL	12.14	12.14	6.13	7.26	10.25	10.25	10.75	10.75	PL122 PLA122	11.01	13.32	12.16	12.16	13.72	13.72
	308mm	308mm	156mm	184mm	260mm	260mm	273mm	273mm		280mm	338mm	309mm	309mm	348mm	348mm
AM1426RL	14.14	12.26	6.13	7.21	12.25	10.25	12.75	10.88	PL142 PLA142	11.03	15.19	12.29	14.16	15.73	13.85
	359mm	312mm	156mm	183mm	311mm	260mm	324mm	276mm		280mm	386mm	312mm	360mm	399mm	352mm
AM1648RL	16.27	14.40	8.13	9.21	14.25	12.25	14.75	12.88	P164 PA164	13.01	17.19	13.70	15.57	17.87	15.99
	413mm	366mm	207mm	234mm	362mm	311mm	375mm	327mm		330mm	437mm	348mm	395mm	454mm	406mm
AM1868RL	18.40	16.40	8.13	9.22	16.25	14.25	16.88	14.88	P186 PA186	14.97	19.28	15.70	17.70	20.00	18.00
	467mm	417mm	207mm	234mm	413mm	362mm	429mm	378mm		380mm	490mm	399mm	450mm	508mm	457mm
AM2068RL	20.00	16.00	8.13	9.21	17.81	13.81	18.44	14.44	P206 PA206	14.54	20.84	15.27	19.27	21.59	17.59
	508mm	406mm	207mm	234mm	452mm	351mm	468mm	367mm		369mm	529mm	388mm	489mm	548mm	447mm

All dimensions are in inches unless otherwise noted

Enclosure base part numbers come standard with 4 separately bagged feet (ex. AM664RL)

Data subject to change without notice



## AM-R Series

### JIC SIZE JUNCTION BOXES

#### Cover Type

Raised Viewing Window

#### Closure Type

Snap Latch Hinged Cover



#### Application

Designed to insulate and protect controls and components in both indoor and outdoor applications often found in oil refineries, waste water treatment equipment, chemical plants, and many other applications

- Especially well suited for high temperature or corrosive environments
- Protects from dirt, dust, oil and water
- For use with industrial control equipment
- Window unit provides viewing area for instrumentation or equipment

#### Standards

- UL 50 and UL 50E Types 1, 2, 3, 3R, 4, 4X, 12 and 13
- Complies with:
  - NEMA Types 1, 2, 3, 3R, 4, 4X, 12 and 13
  - IEC 60529 Type IP66
  - RoHS directive

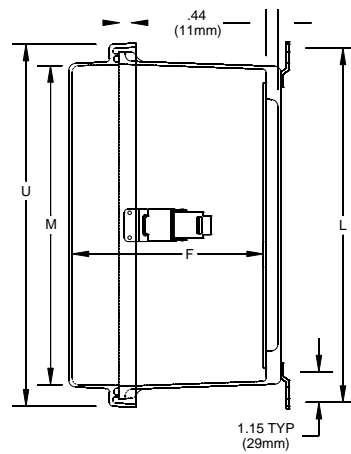
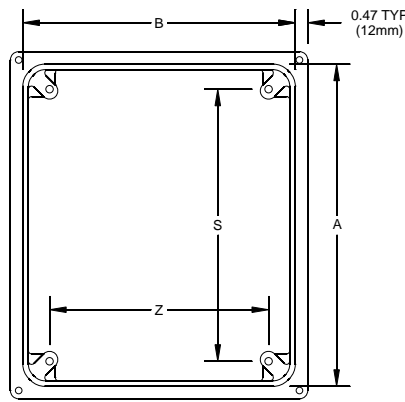
#### Construction

- Strong, molded ULTRAGUARD® fiberglass reinforced polyester material construction with matching raised cover
- UV resistant polycarbonate viewing window
- 316 stainless steel snap latches feature padlock hasp (.375" dia.)
- Continuous 316 stainless steel hinge
- Formed-In-Place (FIP) polyurethane gasket system encased in continuous channel
- 316 stainless steel wall mounting feet with 10-32 stainless steel screws included
- #10-32 threaded brass inserts for optional back panel installation
- JIC sizes
- ULTRAGUARD® fiberglass material is easily punched, drilled, or sawed
- UV stabilized for outdoor use

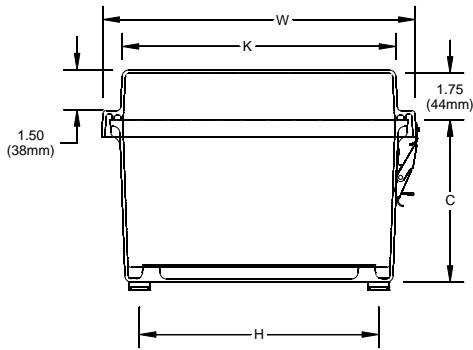
#### Accessories & Modifications

- Custom holes and cutouts
- Hinge installed on short side
- Molded-in color matching
- EMI/RFI shielding
- Factory-supplied custom printing



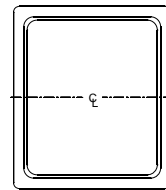


Note: Cover removed for clarity



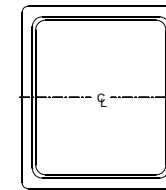
Nominal 1/8" (3mm) wall thickness

For use on  
6x6x4  
8x6x4  
10x8x4,6



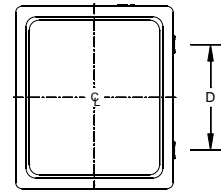
LATCH LOCATIONS

For use on  
12x10x6 D=8.00 (203mm)  
12x12x4,6 D=8.00 (203mm)  
14x12x6 D=8.50 (216mm)  
16x14x8 D=8.61 (219mm)



For use on  
18x16x8 D=6.50 (165mm)  
20x16x8 D=10.52 (267mm)

1.19 TYP (30mm)



1.50 TYP (38mm)

Part No.	Box Size			Usable Depth	Panel Boss Centers			Panel Sizes			Foot Mount Centers		Cover Size				Window Dimension (Height x Width)
	A	B	C		F	S	Z	Ht.	Wid.	P/N	H	L	K	M	U	W	
AM664RLW	6.10	6.10	4.18	5.06	4.25	4.25	4.81	4.81	PL66 PLA66	5.01	7.32	6.08	6.08	7.69	7.69	4.25 x 4.25	
	155mm	155mm	106mm	129mm	108mm	108mm	122mm	122mm		127mm	186mm	154mm	154mm	195mm	195mm	108mm x 108mm	
AM864RLW	8.00	6.13	4.14	4.98	6.25	4.25	6.75	4.88	PL86 PLA86	5.02	9.20	7.71	7.98	9.59	7.71	6.25 x 4.25	
	203mm	156mm	105mm	126mm	159mm	108mm	171mm	124mm		127mm	234mm	196mm	203mm	244mm	196mm	159mm x 108mm	
AM1084RLW	10.14	8.26	4.13	4.98	8.25	6.25	8.75	6.88	PL108 PLA108	7.01	11.19	8.29	10.16	11.73	9.90	8.38 x 6.50	
	258mm	210mm	105mm	126mm	210mm	159mm	222mm	175mm		178mm	284mm	211mm	258mm	299mm	251mm	213mm x 165mm	
AM1086RLW	10.14	8.26	6.13	7.00	8.25	6.25	8.75	6.88	PL108 PLA108	7.01	11.19	8.29	10.16	11.73	9.85	8.38 x 6.50	
	258mm	210mm	156mm	178mm	210mm	159mm	222mm	175mm		178mm	284mm	211mm	258mm	298mm	250mm	213mm x 165mm	
AM1206RLW	12.14	10.26	6.13	6.98	10.25	8.25	10.75	8.88	PL120 PLA120	9.01	13.19	10.29	12.16	13.73	11.85	10.38 x 8.50	
	308mm	261mm	156mm	177mm	260mm	210mm	273mm	225mm		229mm	335mm	261mm	309mm	349mm	301mm	264mm x 216mm	
AM1224RLW	12.14	12.14	4.13	5.03	10.25	10.25	10.75	10.75	PL122 PLA122	11.01	13.32	12.16	12.16	13.72	13.72	10.38 x 10.38	
	308mm	308mm	105mm	128mm	260mm	260mm	273mm	273mm		280mm	338mm	309mm	309mm	348mm	348mm	264mm x 264mm	
AM1226RLW	12.14	12.14	6.13	7.03	10.25	10.25	10.75	10.75	PL122 PLA122	11.01	13.32	12.16	12.16	13.72	13.72	10.38 x 10.38	
	308mm	308mm	156mm	179mm	260mm	260mm	273mm	273mm		280mm	338mm	309mm	309mm	348mm	348mm	264mm x 264mm	
AM1426RLW	14.14	12.26	6.13	6.98	12.25	10.25	12.75	10.88	PL142 PLA142	11.03	15.19	12.29	14.16	15.73	13.85	12.38 x 10.50	
	359mm	312mm	156mm	177mm	311mm	260mm	324mm	276mm		280mm	386mm	312mm	360mm	399mm	352mm	314mm x 267mm	
AM1648RLW	16.27	14.40	8.13	8.98	14.25	12.25	14.75	12.88	P164 PA164	13.01	17.19	13.70	15.57	17.87	15.99	13.00 x 11.00	
	413mm	366mm	207mm	228mm	362mm	311mm	375mm	327mm		330mm	437mm	348mm	395mm	454mm	406mm	330mm x 279mm	
AM1868RLW	18.40	16.40	8.13	8.99	16.25	14.25	16.88	14.88	P186 PA186	14.97	19.28	15.70	17.70	20.00	18.00	14.00 x 12.00	
	467mm	417mm	207mm	228mm	413mm	362mm	429mm	378mm		380mm	490mm	399mm	450mm	508mm	457mm	356mm x 305mm	
AM2068RLW	20.00	16.00	8.13	8.98	17.81	13.81	18.44	14.44	P206 PA206	14.54	20.84	15.27	19.27	21.59	17.59	15.00 x 11.00	
	508mm	406mm	207mm	228mm	452mm	351mm	468mm	367mm		369mm	529mm	388mm	489mm	548mm	447mm	381mm x 279mm	

All dimensions are in inches unless otherwise noted  
Enclosure base part numbers come standard with 4 separately bagged feet (ex. AM664RLW)

Data subject to change without notice



# AM-R Series

## JIC SIZE JUNCTION BOXES

### Cover Type

Raised Solid/Opaque

### Closure Type

Twist Latch Hinged Cover



### Application

Designed to insulate and protect controls and components in both indoor and outdoor applications often found in oil refineries, waste water treatment equipment, chemical plants, and many other applications

- Especially well suited for high temperature or corrosive environments
- Protects from dirt, dust, oil and water
- For use with industrial control equipment

### Standards

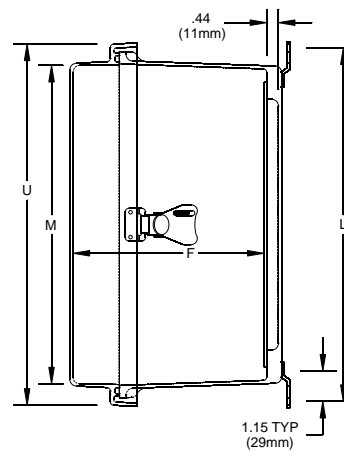
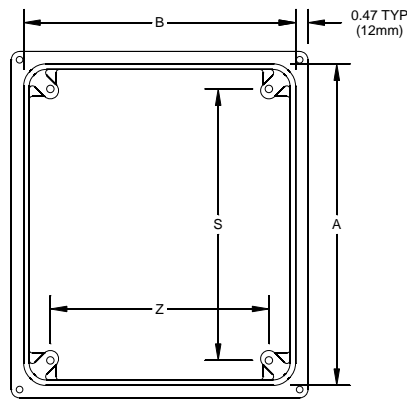
- UL 50 and UL 50E Types 1, 2, 3, 3R, 4, 4X, 12 and 13
- Complies with:
  - NEMA Types 1, 2, 3, 3R, 4, 4X, 12 and 13
  - IEC 60529 Type IP66
  - RoHS directive

### Construction

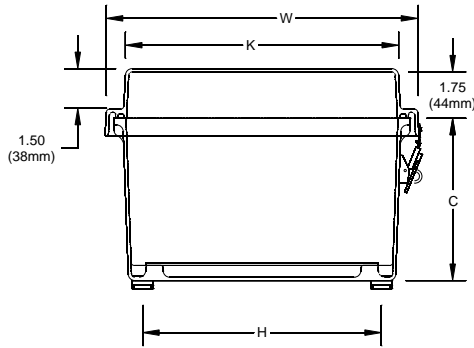
- Strong, molded ULTRAGUARD® fiberglass reinforced polyester material construction with matching raised cover
- 316 stainless steel twist latches feature padlock hasp (.375" dia.)
- Continuous 316 stainless steel hinge
- Formed-In-Place (FIP) polyurethane gasket system encased in continuous channel
- 316 stainless steel wall mounting feet with 10-32 stainless steel screws included
- #10-32 threaded brass inserts for optional back panel installation
- JIC sizes
- ULTRAGUARD® fiberglass material is easily punched, drilled, or sawed
- UV stabilized for outdoor use

### Accessories & Modifications

- Custom holes and cutouts
- Custom size polycarbonate viewing windows
- Hinge installed on short side
- Molded-in color matching
- EMI/RFI shielding
- Factory-supplied custom printing

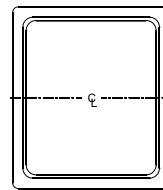


Note: Cover removed for clarity



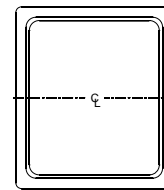
Nominal 1/8" (3mm) wall thickness

For use on  
6x6x4  
8x6x4  
10x8x4,6



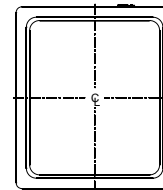
LATCH LOCATIONS

For use on  
12x10x6 D=8.00 (203mm)  
12x12x4,6 D=8.00 (203mm)  
14x12x6 D=8.54 (217mm)  
16x14x8 D=8.54 (217mm)



For use on  
18x16x8 D=6.50 (165mm)  
20x16x8 D=10.52 (267mm)

1.50 TYP (38mm)



1.50 TYP (38mm)

Part No.	Box Size			Usable Depth	Panel Boss Centers		Panel Sizes			Foot Mount Centers		Cover Size			
	A	B	C		F	S	Z	Ht.	Wid.	P/N	H	L	K	M	U
AM664RT	6.10	6.10	4.18	5.29	4.25	4.25	4.81	4.81	PL66	5.01	7.32	6.08	6.08	7.69	7.69
	155mm	155mm	106mm	134mm	108mm	108mm	122mm	122mm	PLA66	127mm	186mm	154mm	154mm	195mm	195mm
AM864RT	8.00	6.13	4.14	5.21	6.25	4.25	6.75	4.88	PL86	5.02	9.20	7.71	7.98	9.59	7.71
	203mm	156mm	105mm	132mm	159mm	108mm	171mm	124mm	PLA86	127mm	234mm	196mm	203mm	244mm	196mm
AM1084RT	10.14	8.26	4.13	5.21	8.25	6.25	8.75	6.88	PL108	7.01	11.19	8.29	10.16	11.73	9.90
	258mm	210mm	105mm	132mm	210mm	159mm	222mm	175mm	PLA108	178mm	284mm	211mm	258mm	299mm	251mm
AM1086RT	10.14	8.26	6.13	7.21	8.25	6.25	8.75	6.88	PL108	7.01	11.19	8.29	10.16	11.73	9.85
	258mm	210mm	156mm	183mm	210mm	159mm	222mm	175mm	PLA108	178mm	284mm	211mm	258mm	298mm	250mm
AM1206RT	12.14	10.26	6.13	7.21	10.25	8.25	10.75	8.88	PL120	9.01	13.19	10.29	12.16	13.73	11.85
	308mm	261mm	156mm	183mm	260mm	210mm	273mm	225mm	PLA120	229mm	335mm	261mm	309mm	349mm	301mm
AM1224RT	12.14	12.14	4.13	5.26	10.25	10.25	10.75	10.75	PL122	11.01	13.32	12.16	12.16	13.72	13.72
	308mm	308mm	105mm	134mm	260mm	260mm	273mm	273mm	PLA122	280mm	338mm	309mm	309mm	348mm	348mm
AM1226RT	12.14	12.14	6.13	7.26	10.25	10.25	10.75	10.75	PL122	11.01	13.32	12.16	12.16	13.72	13.72
	308mm	308mm	156mm	184mm	260mm	260mm	273mm	273mm	PLA122	280mm	338mm	309mm	309mm	348mm	348mm
AM1426RT	14.14	12.26	6.13	7.21	12.25	10.25	12.75	10.88	PL142	11.03	15.19	12.29	14.16	15.73	13.85
	359mm	312mm	156mm	183mm	311mm	260mm	324mm	276mm	PLA142	280mm	386mm	312mm	360mm	399mm	352mm
AM1648RT	16.27	14.40	8.13	9.21	14.25	12.25	14.75	12.88	P164	13.01	17.19	13.70	15.57	17.87	15.99
	413mm	366mm	207mm	234mm	362mm	311mm	375mm	327mm	PA164	330mm	437mm	348mm	395mm	454mm	406mm
AM1868RT	18.40	16.40	8.13	9.22	16.25	14.25	16.88	14.88	P186	14.97	19.28	15.70	17.70	20.00	18.00
	467mm	417mm	207mm	234mm	413mm	362mm	429mm	378mm	PA186	380mm	490mm	399mm	450mm	508mm	457mm
AM2068RT	20.00	16.00	8.13	9.21	17.81	13.81	18.44	14.44	P206	14.54	20.84	15.27	19.27	21.59	17.59
	508mm	406mm	207mm	234mm	452mm	351mm	468mm	367mm	PA206	369mm	529mm	388mm	489mm	548mm	447mm

All dimensions are in inches unless otherwise noted

Enclosure base part numbers come standard with 4 separately bagged feet (ex. AM664RT)

Data subject to change without notice



# AM-R Series

## JIC SIZE JUNCTION BOXES

### Cover Type

Raised Solid/Opaque

### Closure Type

Twist Latch Hinged Cover



### Application

Designed to insulate and protect controls and components in both indoor and outdoor applications often found in oil refineries, waste water treatment equipment, chemical plants, and many other applications

- Especially well suited for high temperature or corrosive environments
- Protects from dirt, dust, oil and water
- For use with industrial control equipment
- Window unit provides viewing area for instrumentation or equipment

### Standards

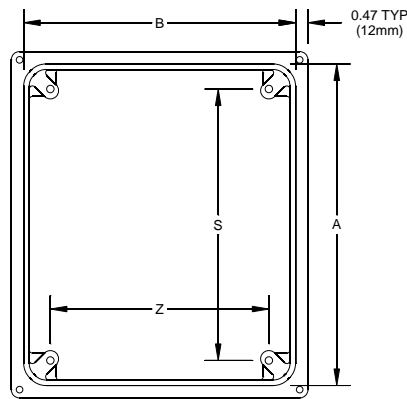
- UL 50 and UL 50E Types 1, 2, 3, 3R, 4, 4X, 12 and 13
- Complies with:
  - NEMA Types 1, 2, 3, 3R, 4, 4X, 12 and 13
  - IEC 60529 Type IP66
  - RoHS directive

### Construction

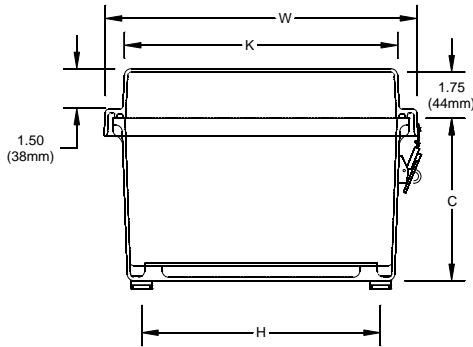
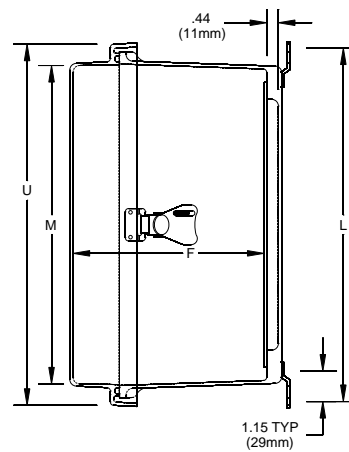
- Strong, molded ULTRAGUARD® fiberglass reinforced polyester material construction with matching raised cover
- UV resistant polycarbonate viewing window
- 316 stainless steel twist latches feature padlock hasp (.375" dia.)
- Continuous 316 stainless steel hinge
- Formed-In-Place (FIP) polyurethane gasket system encased in continuous channel
- 316 stainless steel wall mounting feet with 10-32 stainless steel screws included
- #10-32 threaded brass inserts for optional back panel installation
- JIC sizes
- ULTRAGUARD® fiberglass material is easily punched, drilled, or sawed
- UV stabilized for outdoor use

### Accessories & Modifications

- Custom holes and cutouts
- Hinge installed on short side
- Molded-in color matching
- EMI/RFI shielding
- Factory-supplied custom printing



Note: Cover removed for clarity



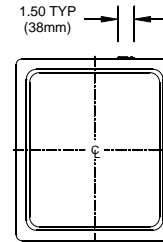
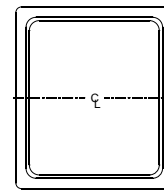
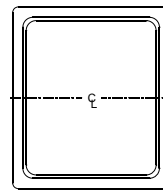
Nominal 1/8" (3mm) wall thickness

LATCH LOCATIONS

For use on  
6x6x4  
8x6x4  
10x8x4,6

For use on  
12x10x6 D=8.00 (203mm)  
12x12x4,6 D=8.00 (203mm)  
14x12x6 D=8.54 (217mm)  
16x14x8 D=8.54 (217mm)

For use on  
18x16x8 D=6.50 (165mm)  
20x16x8 D=10.52 (267mm)



1.50 TYP (38mm)

Part No.	Box Size			Usable Depth	Panel Boss Centers			Panel Sizes			Foot Mount Centers		Cover Size				Window Dimension (Height x Width)
	A	B	C		F	S	Z	Ht.	Wid.	P/N	H	L	K	M	U	W	
AM664RTW	6.10	6.10	4.18	5.06	4.25	4.25	4.81	4.81	PL66 PLA66	5.01	7.32	6.08	6.08	7.69	7.69	4.25 x 4.25	
	155mm	155mm	106mm	129mm	108mm	108mm	122mm	122mm		127mm	186mm	154mm	154mm	195mm	195mm	108mm x 108mm	
AM864RTW	8.00	6.13	4.14	4.98	6.25	4.25	6.75	4.88	PL86 PLA86	5.02	9.20	7.71	7.98	9.59	7.71	6.25 x 4.25	
	203mm	156mm	105mm	126mm	159mm	108mm	171mm	124mm		127mm	234mm	196mm	203mm	244mm	196mm	159mm x 108mm	
AM1084RTW	10.14	8.26	4.13	4.98	8.25	6.25	8.75	6.88	PL108 PLA108	7.01	11.19	8.29	10.16	11.73	9.90	8.38 x 6.50	
	258mm	210mm	105mm	126mm	210mm	159mm	222mm	175mm		178mm	284mm	211mm	258mm	299mm	251mm	213mm x 165mm	
AM1086RTW	10.14	8.26	6.13	7.00	8.25	6.25	8.75	6.88	PL108 PLA108	7.01	11.19	8.29	10.16	11.73	9.85	8.38 x 6.50	
	258mm	210mm	156mm	178mm	210mm	159mm	222mm	175mm		178mm	284mm	211mm	258mm	298mm	250mm	213mm x 165mm	
AM1206RTW	12.14	10.26	6.13	6.98	10.25	8.25	10.75	8.88	PL120 PLA120	9.01	13.19	10.29	12.16	13.73	11.85	10.38 x 8.50	
	308mm	261mm	156mm	177mm	260mm	210mm	273mm	225mm		229mm	335mm	261mm	309mm	349mm	301mm	264mm x 216mm	
AM1224RTW	12.14	12.14	4.13	5.03	10.25	10.25	10.75	10.75	PL122 PLA122	11.01	13.32	12.16	12.16	13.72	13.72	10.38 x 10.38	
	308mm	308mm	105mm	128mm	260mm	260mm	273mm	273mm		280mm	338mm	309mm	309mm	348mm	348mm	264mm x 264mm	
AM1226RTW	12.14	12.14	6.13	7.03	10.25	10.25	10.75	10.75	PL122 PLA122	11.01	13.32	12.16	12.16	13.72	13.72	10.38 x 10.38	
	308mm	308mm	156mm	179mm	260mm	260mm	273mm	273mm		280mm	338mm	309mm	309mm	348mm	348mm	264mm x 264mm	
AM1426RTW	14.14	12.26	6.13	6.98	12.25	10.25	12.75	10.88	PL142 PLA142	11.03	15.19	12.29	14.16	15.73	13.85	12.38 x 10.50	
	359mm	312mm	156mm	177mm	311mm	260mm	324mm	276mm		280mm	386mm	312mm	360mm	399mm	352mm	314mm x 267mm	
AM1648RTW	16.27	14.40	8.13	8.98	14.25	12.25	14.75	12.88	P164 PA164	13.01	17.19	13.70	15.57	17.87	15.99	13.00 x 11.00	
	413mm	366mm	207mm	228mm	362mm	311mm	375mm	327mm		330mm	437mm	348mm	395mm	454mm	406mm	330mm x 279mm	
AM1868RTW	18.40	16.40	8.13	8.99	16.25	14.25	16.88	14.88	P186 PA186	14.97	19.28	15.70	17.70	20.00	18.00	14.00 x 12.00	
	467mm	417mm	207mm	228mm	413mm	362mm	429mm	378mm		380mm	490mm	399mm	450mm	508mm	457mm	356mm x 305mm	
AM2068RTW	20.00	16.00	8.13	8.98	17.81	13.81	18.44	14.44	P206 PA206	14.54	20.84	15.27	19.27	21.59	17.59	15.00 x 11.00	
	508mm	406mm	207mm	228mm	452mm	351mm	468mm	367mm		369mm	529mm	388mm	489mm	548mm	447mm	381mm x 279mm	

All dimensions are in inches unless otherwise noted  
Enclosure base part numbers come standard with 4 separately bagged feet (ex. AM664RTW)

Data subject to change without notice



MODS  
TECHNICAL  
STANDARDS  
ULTRAGUARD®  
FIBERGLASS  
AM SERIES  
AM-R  
AMHD-R  
CONTROL  
EMPIRE  
ULTRALINE®  
POLYLINE®  
ACCESSORIES  
INDEX

## AMHD-R Series

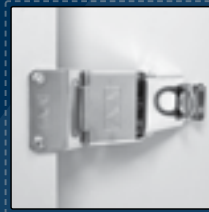
HEAVY DUTY  
SOLAR BATTERY BOX

### Cover Type

Raised Solid/Opaque

### Closure Type

Snap Latch Hinged Cover



### Application

Designed to insulate and house solar storage batteries for various telemetry applications in outdoor locations

- Especially well suited for high temperature or corrosive environments
- Protects from dirt, dust, oil and water

### Standards

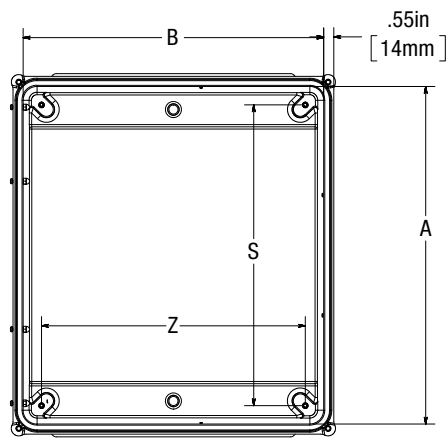
- UL 50 and UL 50E Types 1, 2, 3, 3R, 4, 4X, 12 and 13
- Complies with:
  - NEMA Types 1, 2, 3, 3R, 4, 4X, 12 and 13
  - IEC 60529 Type IP66
  - RoHS directive

### Construction

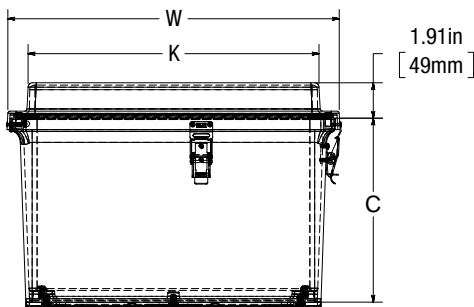
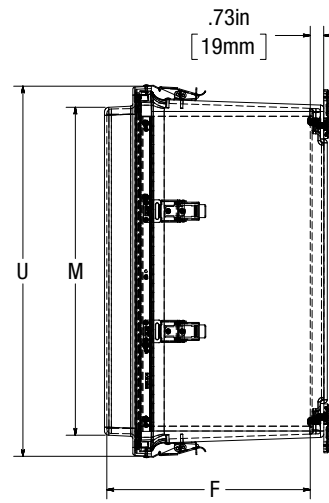
- Strong, molded ULTRAGUARD® fiberglass reinforced polyester material construction with matching raised cover
- 316 stainless steel snap latches feature padlock hasp (.375" dia.)
- Formed-In-Place (FIP) polyurethane gasket system encased in continuous channel
- Polycarbonate flanges installed with (4) 316 series stainless steel screws
- #10-32 threaded brass inserts are installed for optional back panel
- ULTRAGUARD® fiberglass material is easily punched, drilled, or sawed
- UV stabilized for outdoor use

### Accessories & Modifications

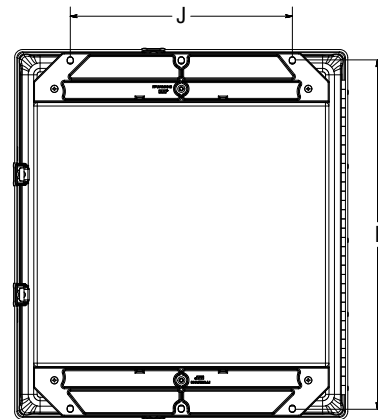
- Pole mount kits available
- Custom holes and cutouts
- Custom size polycarbonate viewing windows
- Molded-in color matching
- EMI/RFI shielding
- Factory-supplied custom printing



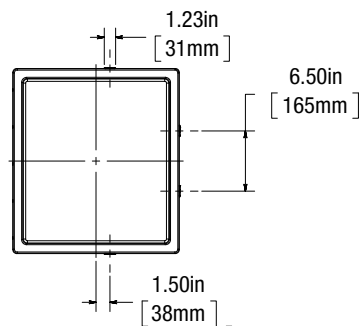
NOTE: REMOVED COVER FOR CLARITY



Nominal .200" (5mm) wall thickness



LATCH LOCATIONS



Part No.	Box Size			Usable Depth	Panel Boss Centers		Panel Sizes			Flange Mount Centers		Cover Size			
	A	B	C		F	S	Z	Ht.	Wid.	P/N	J	I	K	M	U
AMHD1860RLF	18.24	16.24	10.13	11.01	16.25	14.25	16.88	14.88	P186 PA186	12.00	18.88, 18.76	15.22	17.72	19.91	17.91
	463mm	412mm	257mm	280mm	413mm	362mm	429mm	378mm		305mm	480mm, 477mm	387mm	450mm	506mm	455mm

All dimensions are in inches unless otherwise noted

Data subject to change without notice





# CONTROL SERIES FIBERGLASS

The larger Control Series offers standard features as well as full-panel access and all usable panel space. In addition, the standard gray cover is available with or without a polycarbonate viewing window. Other options include removable aluminum hinged front panel and back panels.

Control Series enclosures insulate and protect controls and components against the toughest elements in the harshest environments. They are available in popular larger sizes and depths, along with standard stainless steel hinges and latches.



Scan to learn more





## Control Series Features & Benefits

- Molded ULTRAGUARD® fiberglass reinforced polyester material construction for durability
- One-piece body construction provides added dimensional stability
- (2) 316 stainless steel hinges
- Formed-In-Place (FIP) polyurethane gasket system
- Matching raised cover
- 316 stainless steel hardware and mounting feet
- Mounting panel inserts for optional back panel
- UV stabilized for outdoor use

## Control Series Specifications

- Non-corrosive
- Non-conductive
- Standard RAL 7035 light gray color
- Temperature-resistant
- Fire-resistant
- Rated NEMA 1, 2, 3, 3R, 4, 4X, 12, 13
- UL® listed
- Compliant with RoHS directive

## Accessories

- Aluminum hinged front panel for configuration flexibility
- ULTRAPLUG® hole plugs
- Pole mount kits
- HMI cover kits
- Inspection windows
- UV resistant polycarbonate viewing windows

## Modifications

We are pleased to modify any of our standard products to fit your needs with:

- Custom holes and cutouts
- Custom size polycarbonate viewing windows
- Molded-in color matching
- EMI/RFI shielding
- Factory-supplied custom printing

*For complete details on factory modifications including a modification request form, see pages 1-3.*

[www.alliedmoulded.com](http://www.alliedmoulded.com)

MODS

TECHNICAL

STANDARDS

ULTRAGUARD®

FIBERGLASS

AM SERIES

AM-R

AMHD-R

CONTROL

EMPIRE

ULTRALINE®

POLYLINE®

ACCESSORIES

INDEX

## Control Series FIBERGLASS ENCLOSURES

### Cover Type

Raised Solid/Opaque

### Closure Type

Snap Latch Hinged Cover



### Application

Designed to insulate and house electrical and electronic controls, instruments or components for indoor and outdoor applications

- Especially well suited for high temperature or corrosive environments
- Protects from dirt, dust, oil, and water

### Standards

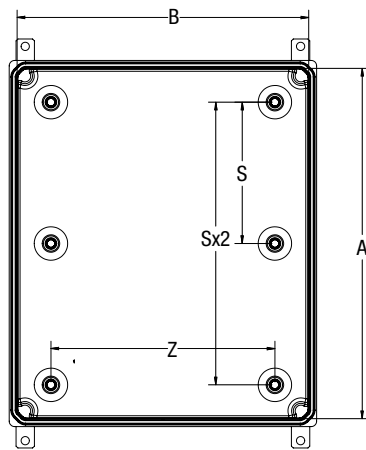
- UL 50 and UL 50E Types 1, 2, 3, 3R, 4, 4X, 12 and 13
- Complies with:
  - NEMA Types 1, 2, 3, 3R, 4, 4X, 12 and 13
  - IEC 60529 Type IP66
  - RoHS directive

### Construction

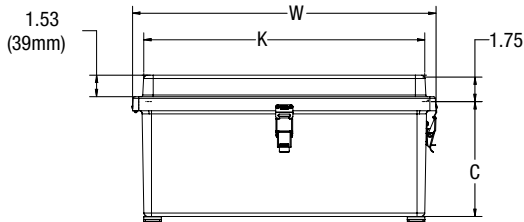
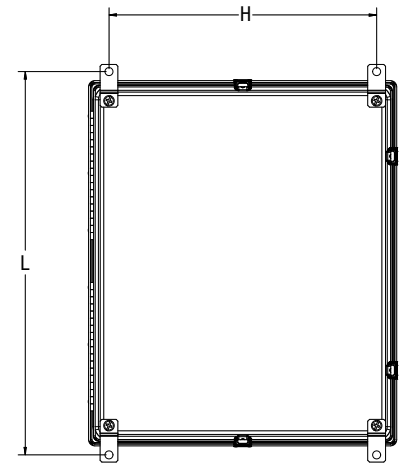
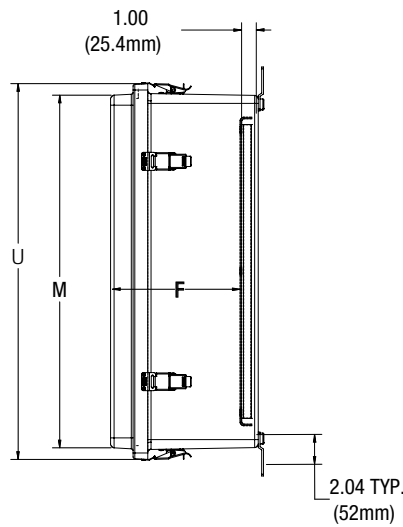
- Strong, molded ULTRAGUARD® fiberglass reinforced polyester material construction with matching raised cover
- Light gray color (RAL 7035)
- 316 stainless steel snap latches feature padlock hasp (.375" dia.)
- (2) 316 stainless steel hinges
- Formed-In-Place (FIP) polyurethane gasket system encased in continuous channel
- 316 stainless steel wall mounting feet with 3/8-16 stainless steel screws included
- 3/8-16 threaded brass inserts are installed for back panel mounting
- UV stabilized for outdoor use

### Accessories & Modifications

- Custom holes and cutouts
- Custom size polycarbonate viewing windows
- Molded-in color matching
- EMI/RFI Shielding
- Factory-supplied custom printing

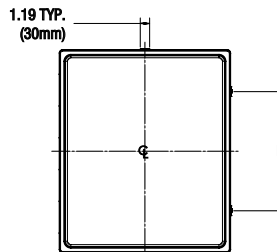


NOTE: COVER REMOVED FOR CLARITY



NOMINAL 1/8" (3mm) WALL THICKNESS

LATCH LOCATIONS



FOR USE ON:

- 24x20x8 D=15.00 (406 mm)
- 24x24x8 D=15.00 (406 mm)
- 30x24x8 D=19.98 (507 mm)

FOR USE ON:

- 24x20x10 D=15.00 (406 mm)
- 24x24x10 D=15.00 (406 mm)
- 30x24x10 D=19.98 (507 mm)

Control Series Latching Options		
Base Part #	Part No. Suffix	Description
See Chart Below	L	316 Stainless Steel Snap Latch
	3PT	316 Stainless Steel 3-Point Handle
	QT	Basic Slotted 1/4 Turn 316 Stainless Steel
	<i>*Special Order</i>	Basic Slotted 1/4 Turn (Keylock) 316 Stainless Steel

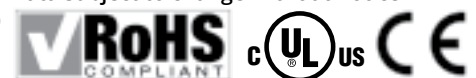
Add the "Part No. Suffix" to the base part number to create a complete enclosure option. (ex AM24208RQT is a 24"x20"x8" enclosure with a basic slotted 1/4 turn latch)

\*Available for special order only. | Visit our website to view and download all closure option drawings.

Part No.	Box Size			Usable Depth	Panel Boss Centers		Panel Sizes			Foot Mount Centers		Cover Size			
	A	B	C		F	S	Z	Ht.	Wid.	P/N	H	L	K	M	U
AM24208R	24.00	20.00	8.13	8.67	9.63	15.25	21.00	17.00	P2420 PA2420	18.75	26.85	20.16	24.16	25.59	21.59
	610mm	508mm	207mm	220mm	244mm	387mm	533mm	432mm		476mm	682mm	512mm	614mm	650mm	548mm
AM24248R	24.00	24.00	8.13	8.65	9.63	19.25	21.00	21.00	P2424 PA2424	22.75	26.85	24.16	24.16	25.59	25.59
	610mm	610mm	207mm	220mm	244mm	489mm	533mm	533mm		578mm	682mm	614mm	614mm	650mm	650mm
AM30248R	30.00	24.00	8.13	8.65	12.63	19.25	27.00	21.00	P3024 PA3024	22.75	32.85	24.16	30.16	31.59	25.59
	762mm	610mm	207mm	220mm	321mm	489mm	686mm	533mm		578mm	834mm	614mm	766mm	802mm	650mm
AM24200R	24.00	20.00	10.13	10.65	9.63	15.25	21.00	17.00	P2420 PA2420	18.75	26.85	20.16	24.16	25.59	21.59
	610mm	508mm	257mm	271mm	244mm	387mm	533mm	432mm		476mm	682mm	512mm	614mm	650mm	548mm
AM24240R	24.00	24.00	10.13	10.65	9.63	19.25	21.00	21.00	P2424 PA2424	22.75	26.85	24.16	24.16	25.59	25.59
	610mm	610mm	257mm	271mm	244mm	489mm	533mm	533mm		578mm	682mm	614mm	614mm	650mm	650mm
AM30240R	30.00	24.00	10.13	10.65	12.63	19.25	27.00	21.00	P3024 PA3024	22.75	32.85	24.16	30.16	31.59	25.59
	762mm	610mm	257mm	271mm	321mm	489mm	686mm	533mm		578mm	834mm	614mm	766mm	802mm	650mm

All dimensions are in inches unless otherwise noted  
Enclosure base part numbers come standard with 4 separately bagged feet (ex. AM24208RL)

Data subject to change without notice



## Control Series FIBERGLASS ENCLOSURES

### Cover Type

Raised Viewing Window

### Closure Type

Snap Latch Hinged Cover



### Application

Designed to insulate and house electrical and electronic controls, instruments or components for indoor and outdoor applications

- Especially well suited for high temperature or corrosive environments
- Protects from dirt, dust, oil, and water
- Window unit provides viewing area for instrumentation or equipment

### Standards

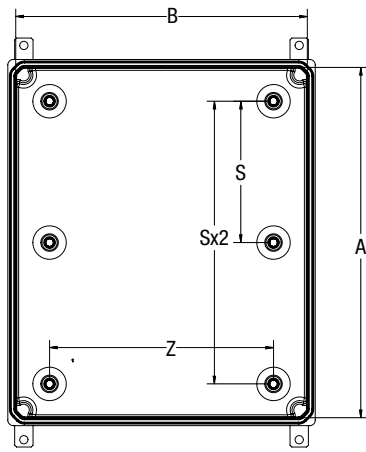
- UL 50 and UL 50E Types 1, 2, 3, 3R, 4, 4X, 12 and 13
- Complies with:
  - NEMA Types 1, 2, 3, 3R, 4, 4X, 12 and 13
  - IEC 60529 Type IP66
  - RoHS directive

### Construction

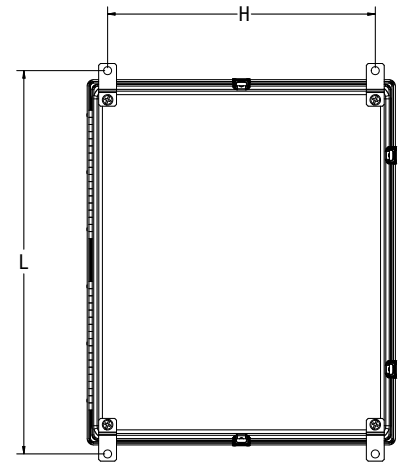
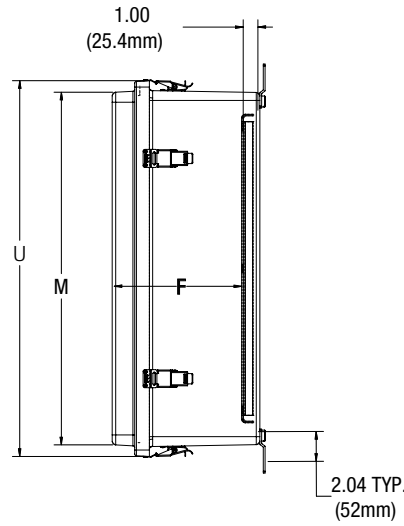
- Strong, molded ULTRAGUARD® fiberglass reinforced polyester material construction with matching raised cover
- UV resistant polycarbonate viewing window
- Light gray color (RAL 7035)
- 316 stainless steel snap latches feature padlock hasp (.375" dia.)
- (2) 316 stainless steel hinges
- Formed-In-Place (FIP) polyurethane gasket system encased in continuous channel
- 316 stainless steel wall mounting feet with 3/8-16 stainless steel screws included
- 3/8-16 threaded brass inserts are installed for back panel mounting
- UV stabilized for outdoor use

### Accessories & Modifications

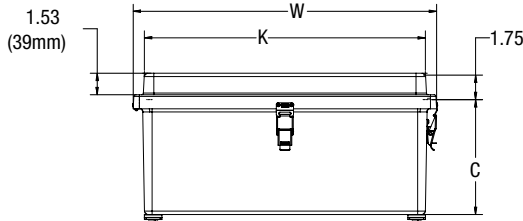
- Custom holes and cutouts
- Molded-in color matching
- EMI/RFI Shielding
- Factory-supplied custom printing



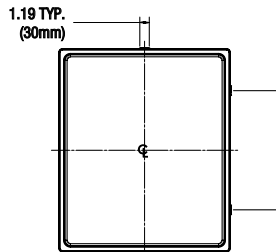
NOTE: COVER REMOVED FOR CLARITY



LATCH LOCATIONS



NOMINAL 1/8" (3mm) WALL THICKNESS



FOR USE ON:

- 24x20x8 D=15.00 (406 mm)
- 24x24x8 D=15.00 (406 mm)
- 30x24x8 D=19.98 (507 mm)

FOR USE ON:

- 24x20x10 D=15.00 (406 mm)
- 24x24x10 D=15.00 (406 mm)
- 30x24x10 D=19.98 (507 mm)

### Control Series Latching Options

Notes	Latching Option Description
Available for special order only. Contact the manufacturer for additional details. Visit our website to view and download all closure option drawings.	316 Stainless Steel 3-Point Handle
	Basic Slotted 1/4 Turn 316 Stainless Steel
	Basic Slotted 1/4 Turn (Keylock) 316 Stainless Steel

Part No.	Box Size			Usable Depth	Panel Boss Centers		Panel Sizes			Foot Mount Centers		Cover Size				Window Dimension (Height x Width)
	A	B	C		F	S	Z	Ht.	Wid.	P/N	H	L	K	M	U	
AM24208RLW	24.00	20.00	8.13	8.47	9.63	15.25	21.00	17.00	P2420 PA2420	18.75	26.85	20.16	24.16	25.59	21.59	16.00 x 12.00
	610mm	508mm	207mm	215mm	244mm	387mm	533mm	432mm		476mm	682mm	512mm	614mm	650mm	548mm	406mm x 305mm
AM24248RLW	24.00	24.00	8.13	8.41	9.63	19.25	21.00	21.00	P2424 PA2424	22.75	26.85	24.16	24.16	25.59	25.59	16.00 x 16.00
	610mm	610mm	207mm	214mm	244mm	489mm	533mm	533mm		578mm	682mm	614mm	614mm	650mm	650mm	406mm x 406mm
AM30248RLW	30.00	24.00	8.13	8.42	12.63	19.25	27.00	21.00	P3024 PA3024	22.75	32.85	24.16	30.16	31.59	25.59	23.00 x 17.00
	762mm	610mm	207mm	214mm	321mm	489mm	686mm	533mm		578mm	834mm	614mm	766mm	802mm	650mm	584mm x 432mm
AM24200RLW	24.00	20.00	10.13	10.42	9.63	15.25	21.00	17.00	P2420 PA2420	18.75	26.85	20.16	24.16	25.59	21.59	16.00 x 12.00
	610mm	508mm	257mm	265mm	244mm	387mm	533mm	432mm		476mm	682mm	512mm	614mm	650mm	548mm	406mm x 305mm
AM24240RLW	24.00	24.00	10.13	10.42	9.63	19.25	21.00	21.00	P2424 PA2424	22.75	26.85	24.16	24.16	25.59	25.59	16.00 x 16.00
	610mm	610mm	257mm	265mm	244mm	489mm	533mm	533mm		578mm	682mm	614mm	614mm	650mm	650mm	406mm x 406mm
AM30240RLW	30.00	24.00	10.13	10.42	12.63	19.25	27.00	21.00	P3024 PA3024	22.75	32.85	24.16	30.16	31.59	25.59	23.00 x 17.00
	762mm	610mm	257mm	265mm	321mm	489mm	686mm	533mm		578mm	834mm	614mm	766mm	802mm	650mm	584mm x 432mm

All dimensions are in inches unless otherwise noted

Enclosure base part numbers come standard with 4 separately bagged feet (ex. AM24208RLW)

Data subject to change without notice



## Control Series FIBERGLASS ENCLOSURES

### Cover Type

Raised Solid/Opaque

### Closure Type

Twist Latch Hinged Cover



### Application

Designed to insulate and house electrical and electronic controls, instruments or components for indoor and outdoor applications

- Especially well suited for high temperature or corrosive environments
- Protects from dirt, dust, oil, and water

### Standards

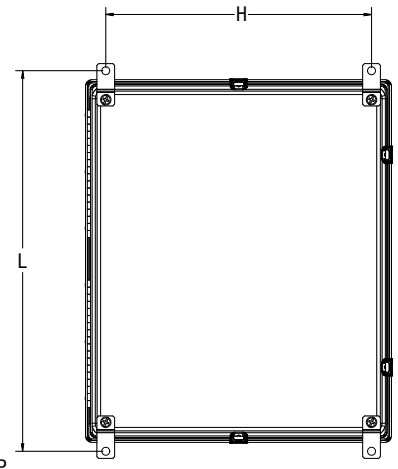
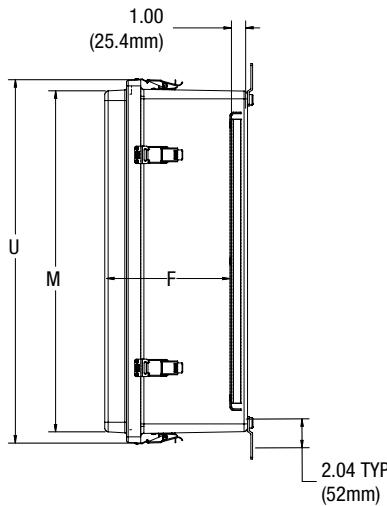
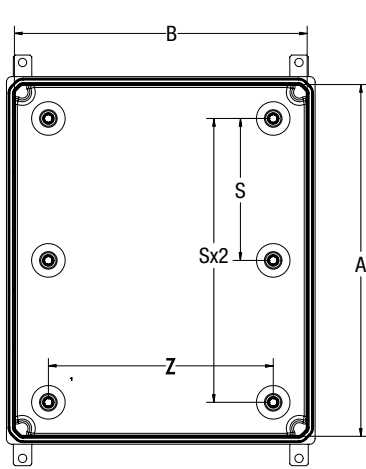
- UL 50 and UL 50E Types 1, 2, 3, 3R, 4, 4X, 12 and 13
- Complies with:
  - NEMA Types 1, 2, 3, 3R, 4, 4X, 12 and 13
  - IEC 60529 Type IP66
  - RoHS directive

### Construction

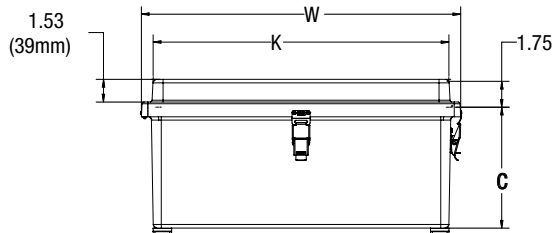
- Strong, molded ULTRAGUARD® fiberglass reinforced polyester material construction with matching raised cover
- Light gray color (RAL 7035)
- 316 stainless steel twist latches feature padlock hasp (.375" dia.)
- (2) 316 stainless steel hinges
- Formed-In-Place (FIP) polyurethane gasket system encased in continuous channel
- 316 stainless steel wall mounting feet with 3/8-16 stainless steel screws included
- 3/8-16 threaded brass inserts are installed for back panel mounting
- UV stabilized for outdoor use

### Accessories & Modifications

- Custom holes and cutouts
- Custom size polycarbonate viewing windows
- Molded-in color matching
- EMI/RFI Shielding
- Factory-supplied custom printing

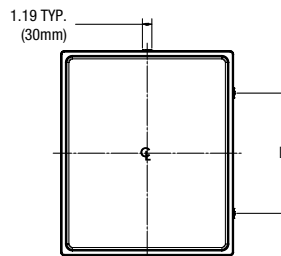


NOTE: COVER REMOVED FOR CLARITY



NOMINAL 1/8" (3mm) WALL THICKNESS

LATCH LOCATIONS



FOR USE ON:  
 24x20x8 D=15.00 (406 mm)  
 24x24x8 D=15.00 (406 mm)  
 30x24x8 D=19.98 (507 mm)

FOR USE ON:  
 24x20x10 D=15.00 (406 mm)  
 24x24x10 D=15.00 (406 mm)  
 30x24x10 D=19.98 (507 mm)

Control Series Latching Options		
Base Part #	Part No. Suffix	Description
See Chart Below	T	316 Stainless Steel Twist Latch
	3PT	316 Stainless Steel 3-Point Handle
	QT	Basic Slotted 1/4 Turn 316 Stainless Steel
	*Special Order	Basic Slotted 1/4 Turn (Keylock) 316 Stainless Steel

Add the "Part No. Suffix" to the base part number to create a complete enclosure option. (ex AM24208RQT is a 24"x20"x8" enclosure with a basic slotted 1/4 turn latch)

\*Available for special order only. | Visit our website to view and download all closure option drawings.

Part No.	Box Size			Usable Depth	Panel Boss Centers		Panel Sizes			Foot Mount Centers		Cover Size			
	A	B	C		F	S	Z	Ht.	Wid.	P/N	H	L	K	M	U
AM24208R	24.00	20.00	8.13	8.67	9.63	15.25	21.00	17.00	P2420 PA2420	18.75	26.85	20.16	24.16	25.59	21.59
	610mm	508mm	207mm	220mm	244mm	387mm	533mm	432mm		476mm	682mm	512mm	614mm	650mm	548mm
AM24248R	24.00	24.00	8.13	8.65	9.63	19.25	21.00	21.00	P2424 PA2424	22.75	26.85	24.16	24.16	25.59	25.59
	610mm	610mm	207mm	220mm	244mm	489mm	533mm	533mm		578mm	682mm	614mm	614mm	650mm	650mm
AM30248R	30.00	24.00	8.13	8.65	12.63	19.25	27.00	21.00	P3024 PA3024	22.75	32.85	24.16	30.16	31.59	25.59
	762mm	610mm	207mm	220mm	321mm	489mm	686mm	533mm		578mm	834mm	614mm	766mm	802mm	650mm
AM24200R	24.00	20.00	10.13	10.65	9.63	15.25	21.00	17.00	P2420 PA2420	18.75	26.85	20.16	24.16	25.59	21.59
	610mm	508mm	257mm	271mm	244mm	387mm	533mm	432mm		476mm	682mm	512mm	614mm	650mm	548mm
AM24240R	24.00	24.00	10.13	10.65	9.63	19.25	21.00	21.00	P2424 PA2424	22.75	26.85	24.16	24.16	25.59	25.59
	610mm	610mm	257mm	271mm	244mm	489mm	533mm	533mm		578mm	682mm	614mm	614mm	650mm	650mm
AM30240R	30.00	24.00	10.13	10.65	12.63	19.25	27.00	21.00	P3024 PA3024	22.75	32.85	24.16	30.16	31.59	25.59
	762mm	610mm	257mm	271mm	321mm	489mm	686mm	533mm		578mm	834mm	614mm	766mm	802mm	650mm

All dimensions are in inches unless otherwise noted

Data subject to change without notice

Enclosure base part numbers come standard with 4 separately bagged feet (ex. AM24208RT)



## Control Series FIBERGLASS ENCLOSURES

### Cover Type

Raised Viewing Window

### Closure Type

Twist Latch Hinged Cover



### Application

Designed to insulate and house electrical and electronic controls, instruments or components for indoor and outdoor applications

- Especially well suited for high temperature or corrosive environments
- Protects from dirt, dust, oil, and water
- Window unit provides viewing area for instrumentation or equipment

### Standards

- UL 50 and UL 50E Types 1, 2, 3, 3R, 4, 4X, 12 and 13
- Complies with:
  - NEMA Types 1, 2, 3, 3R, 4, 4X, 12 and 13
  - IEC 60529 Type IP66
  - RoHS directive

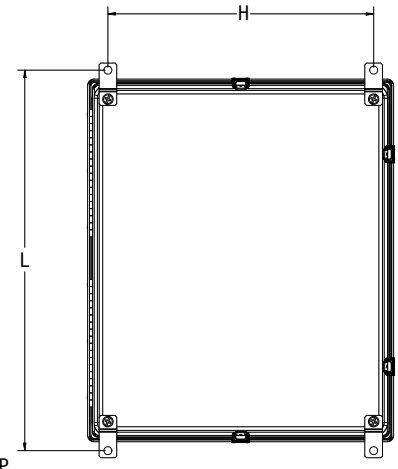
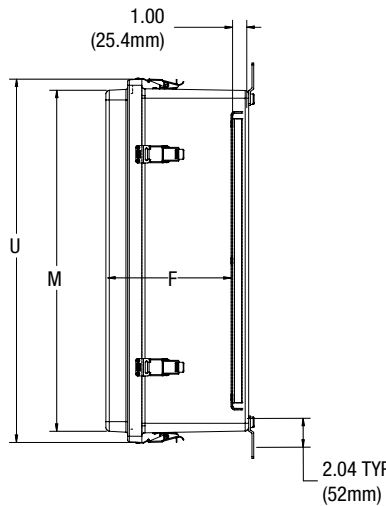
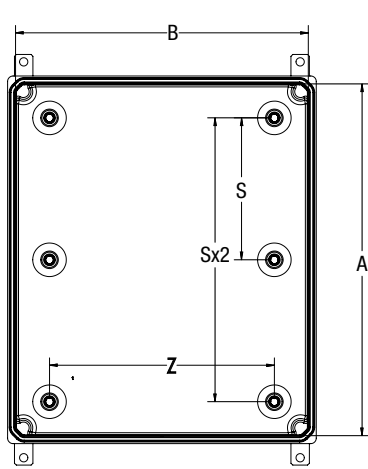
### Construction

- Strong, molded ULTRAGUARD® fiberglass reinforced polyester material construction with matching raised cover
- UV resistant polycarbonate viewing window
- Light gray color (RAL 7035)
- 316 stainless steel twist latches feature padlock hasp (.375" dia.)
- (2) 316 stainless steel hinges
- Formed-In-Place (FIP) polyurethane gasket system encased in continuous channel
- 316 stainless steel wall mounting feet with 3/8-16 stainless steel screws included
- 3/8-16 threaded brass inserts are installed for back panel mounting
- UV stabilized for outdoor use

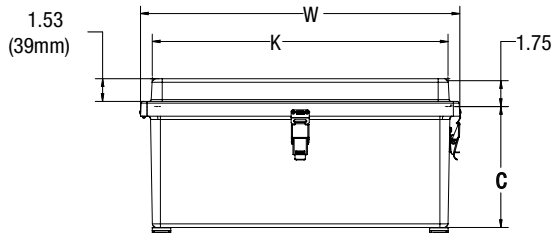
### Accessories & Modifications

- Custom holes and cutouts
- Molded-in color matching
- EMI/RFI Shielding
- Factory-supplied custom printing



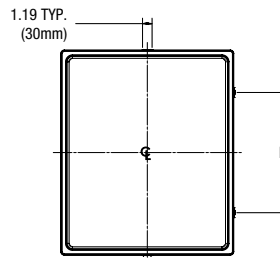


NOTE: COVER REMOVED FOR CLARITY



NOMINAL 1/8" (3mm) WALL THICKNESS

LATCH LOCATIONS



FOR USE ON:  
 24x20x8 D=15.00 (406 mm)  
 24x24x8 D=15.00 (406 mm)  
 30x24x8 D=19.98 (507 mm)

FOR USE ON:  
 24x20x10 D=15.00 (406 mm)  
 24x24x10 D=15.00 (406 mm)  
 30x24x10 D=19.98 (507 mm)

Control Series Latching Options

Notes	Latching Option Description
<b>Available for special order only.</b> Contact the manufacturer for additional details. Visit our website to view and download all closure option drawings.	316 Stainless Steel 3-Point Handle
	Basic Slotted 1/4 Turn 316 Stainless Steel
	Basic Slotted 1/4 Turn (Keylock) 316 Stainless Steel

Part No.	Box Size			Usable Depth	Panel Boss Centers		Panel Sizes			Foot Mount Centers		Cover Size				Window Dimension (Height x Width)
	A	B	C		F	S	Z	Ht.	Wid.	P/N	H	L	K	M	U	
AM24208RTW	24.00	20.00	8.13	8.47	9.63	15.25	21.00	17.00	P2420 PA2420	18.75	26.85	20.16	24.16	25.59	21.59	16.00 x 12.00
	610mm	508mm	207mm	215mm	244mm	387mm	533mm	432mm		476mm	682mm	512mm	614mm	650mm	548mm	406mm x 305mm
AM24248RTW	24.00	24.00	8.13	8.41	9.63	19.25	21.00	21.00	P2424 PA2424	22.75	26.85	24.16	24.16	25.59	25.59	16.00 x 16.00
	610mm	610mm	207mm	214mm	244mm	489mm	533mm	533mm		578mm	682mm	614mm	614mm	650mm	650mm	406mm x 406mm
AM30248RTW	30.00	24.00	8.13	8.42	12.63	19.25	27.00	21.00	P3024 PA3024	22.75	32.85	24.16	30.16	31.59	25.59	23.00 x 17.00
	762mm	610mm	207mm	214mm	321mm	489mm	686mm	533mm		578mm	834mm	614mm	766mm	802mm	650mm	584mm x 432mm
AM24200RTW	24.00	20.00	10.13	10.42	9.63	15.25	21.00	17.00	P2420 PA2420	18.75	26.85	20.16	24.16	25.59	21.59	16.00 x 12.00
	610mm	508mm	257mm	265mm	244mm	387mm	533mm	432mm		476mm	682mm	512mm	614mm	650mm	548mm	406mm x 305mm
AM24240RTW	24.00	24.00	10.13	10.42	9.63	19.25	21.00	21.00	P2424 PA2424	22.75	26.85	24.16	24.16	25.59	25.59	16.00 x 16.00
	610mm	610mm	257mm	265mm	244mm	489mm	533mm	533mm		578mm	682mm	614mm	614mm	650mm	650mm	406mm x 406mm
AM30240RTW	30.00	24.00	10.13	10.42	12.63	19.25	27.00	21.00	P3024 PA3024	22.75	32.85	24.16	30.16	31.59	25.59	23.00 x 17.00
	762mm	610mm	257mm	265mm	321mm	489mm	686mm	533mm		578mm	834mm	614mm	766mm	802mm	650mm	584mm x 432mm

All dimensions are in inches unless otherwise noted

Enclosure base part numbers come standard with 4 separately bagged feet (ex. AM24208RTW)

Data subject to change without notice



# Control XL Series

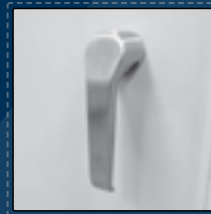
## FIBERGLASS ENCLOSURES

### Cover Type

Solid/Opaque

### Closure Type

3-Point Latching Handle



### Application

Designed to insulate and protect controls and components in both indoor and outdoor applications often found in oil refineries, waste water treatment equipment, chemical plants, and many other applications

- Especially well suited for high temperature or corrosive environments
- Protects from dirt, dust, oil, and water
- For use with industrial control equipment

### Standards

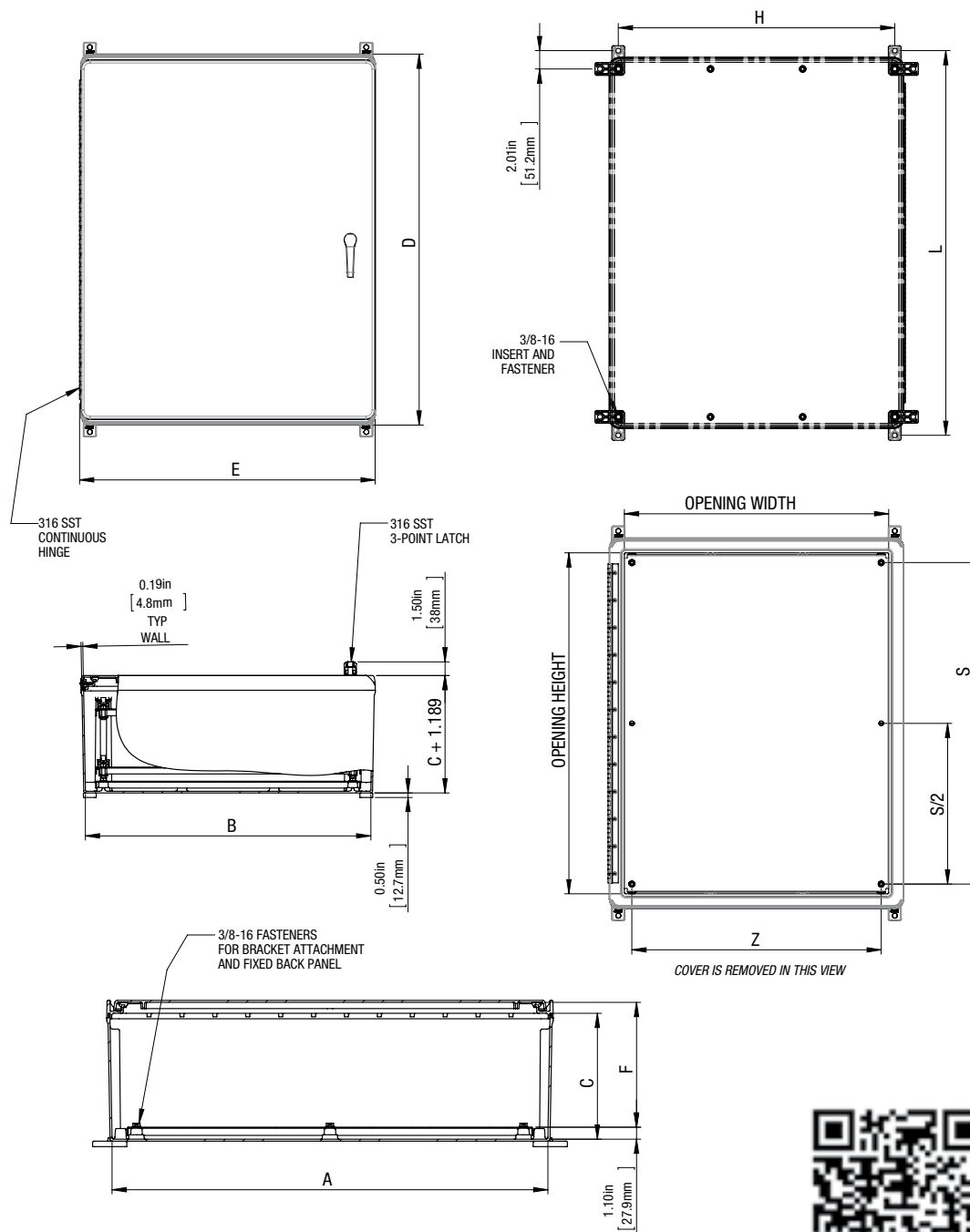
- UL 50 and UL 50E Types 1, 2, 3, 3R, 4, 4X, 12 and 13
- Complies with:
  - NEMA Types 1, 2, 3, 3R, 4, 4X, 12 and 13
  - IEC 60529 Type IP66
  - RoHS directive

### Construction

- Molded cover and two piece box from ULTRAGUARD® material in standard light gray RAL 7035 color
- 316 stainless steel 3-point latching handle with padlock provision
- Formed-In-Place (FIP) polyurethane gasket system provides sealing means to meet IP66/NEMA 4X rating
- Rain guard is molded into enclosure box frame top and bottom for additional protection
- Can easily be reconfigured for RH or LH door opening operation
- Mounting feet are molded in fiberglass material with 316 stainless steel mounting screws included
- Brass inserts are installed for mounting feet; feet can be rotated 90° for alternate mounting configurations
- Heavy duty continuous 316 stainless steel hinge

### Accessories & Modifications

- Custom holes and cutouts
- Custom size polycarbonate viewing windows
- Factory-supplied custom printing



Panel adjustment; (K) 6.38" (162mm)



Scan to learn more

Part No.	Box Size			Overall Box Size			Usable Depth	Foot Mount Centers		Panel Mount Centers		Enclosure Opening		Panel Sizes			Maximum Window Size	
	A	B	C	D	E	F		H	L	S	Z	Ht.	Wid.	Ht.	Wid.	P/N	Ht.	Wid.
AMXL403212L3PT	39.73	31.23	11.50	40.17	32.34	11.41	42.21	30.25	35.28	27.28	37.42	28.92	37.00	29.00	P4032 PA4032	-	-	
	1009mm	793mm	292mm	1035mm	822mm	290mm	1072mm	970mm	896mm	293mm	951mm	735mm	940mm	737mm		-	-	

All dimensions are in inches unless otherwise noted

Data subject to change without notice

Enclosure base part numbers come standard with 4 separately bagged feet (ex. AMXL403212L3PT)

Additional hardware kit available for adjustable back panel option (AMADJUST-CXL)





# EMPIRE SERIES FIBERGLASS

Allied Moulded Empire series wall mount enclosures may be used where contractors are looking for an enclosure that is lighter in weight for easier installation and simple-to-access cabinet doors for easier service capability. Units feature optional 3-point latching cabinet doors or twist latches for convenience.

Designed for large cabinet installations for major industrial and communication applications, our freestanding Empire series cabinets are available in single and double door sizes, and feature a lockable 3-point latching door handle system, while maintaining a NEMA 4X rating.



Scan to learn more



## Empire Series Features & Benefits

- Gel coat fiberglass reinforced polyester (FRP) material construction for durability
- Continuous 316 stainless steel hinge
- Flexible, self-gripping gasket compresses over flange for tight seal
- Wall mount units come with two latching options to meet NEMA Type 4X requirements:
  - 316 stainless steel twist latches with padlock hasp
  - Padlockable 3-point latching handles
- Freestanding units have padlockable 3-point latching handles which meet NEMA Type 4X requirements

## Empire Series Specifications

- Non-corrosive
- Non-conductive
- Standard RAL 7035 light gray color
- Lightweight vs. stainless steel
- Temperature-resistant
- Fire-resistant
- Rated NEMA 1, 4, and 4X
- UL® listed
- Compliant with RoHS directive

## Accessories

- ULTRAPLUG® hole plugs
- Pole mount kits
- HMI cover kits
- Inspection Windows

## Modifications

We are pleased to modify any of our standard products to fit your needs with:

- Custom holes and cutouts
- Custom size polycarbonate viewing windows
- Molded-in color matches
- EMI/RFI shielding
- Factory-supplied custom printing
- Mounting strut

*For complete details on factory modifications including a modification request form, see pages 1-3.*

[www.alliedmoulded.com](http://www.alliedmoulded.com)

MODS

TECHNICAL

STANDARDS

ULTRAGUARD®

FIBERGLASS

AM SERIES

AM-R

AMHD-R

CONTROL

EMPIRE

ULTRALINE®

POLYLINE®

ACCESSOIRES

INDEX

## Empire Series WALL MOUNT ENCLOSURES

### Cover Type

Solid/Opaque

### Closure Type

Twist Latch Hinged Cover



### Application

Designed to insulate and house electrical and electronic controls, instruments or components for indoor and outdoor applications

- Especially well suited for high temperature or corrosive environments
- Protects from dirt, dust, oil, and water

### Standards

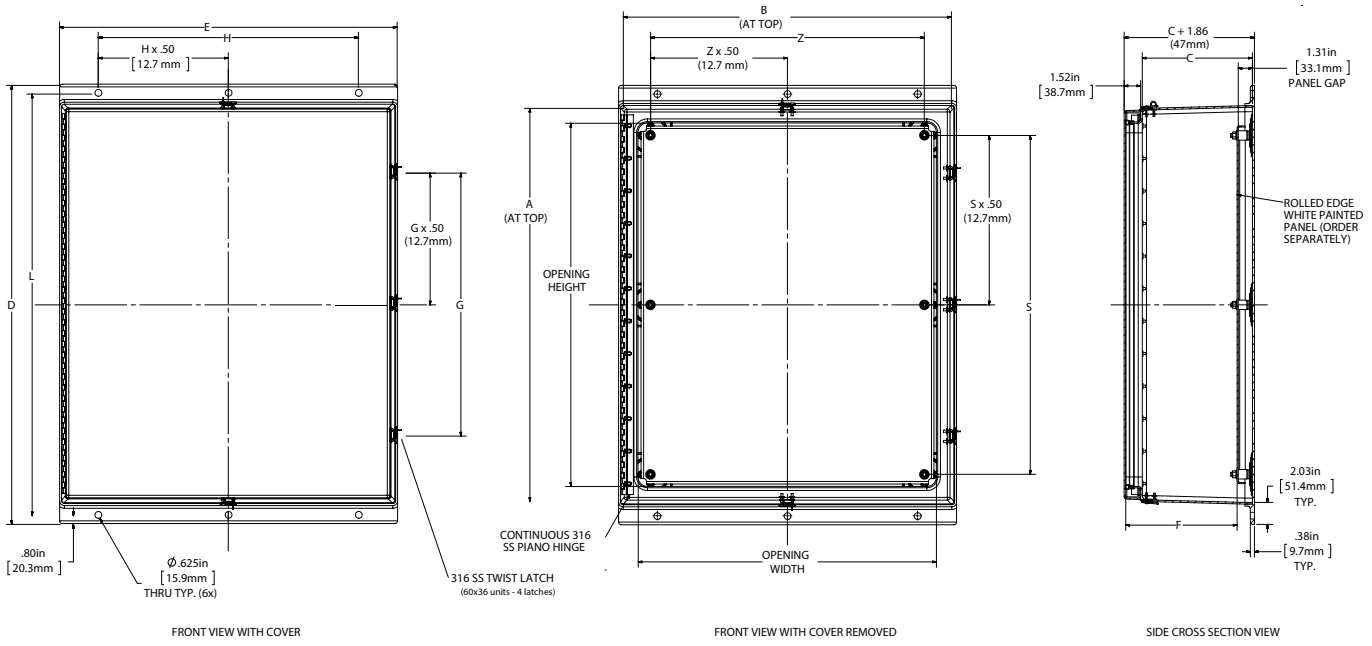
- UL 50 and UL 50E Types 1, 4, and 4X
- Complies with:
  - NEMA Types 1, 4, and 4X
  - IEC 60529 Type IP66
  - RoHS directive

### Construction

- Durable, corrosion resistant gel-coat fiberglass material construction
- Resin Transfer Molded (RTM) doors and box construction
- Molded-in mounting flanges
- Soft, self-gripping EPDM gasket, compresses over flange for tight seal
- 316 stainless steel twist latches with padlock hasp (.375" dia.)
- Heavy-duty continuous 316 stainless steel hinge
- Fiberglass material has UV inhibitors which provide idea protection from outdoor weathering

### Accessories & Modifications

- Custom size polycarbonate viewing windows
- HMI cover kits
- Inspection windows
- Optional print pocket



NOM. .150 (3.8 mm) WALL THICKNESS

LATCH LOCATIONS

- FOR USE ON
- 36x30x16 G=24.26 (616.2mm)
  - 36x36x12 G=24.26 (616.2mm)
  - 36x36x16 G=24.26 (616.2mm)
- FOR USE ON
- 48x36x12 G=36.26 (921mm)
  - 48x36x16 G=36.26 (921mm)
  - 60x36x12 G=48.26 (1225.80mm)
  - 60x36x16 G=48.26 (1225.80mm)

Part No.	Box Size At Top			Overall Box Dimensions		Usable Depth F	Flange Mount		Opening		Panel Studs			Panel Size		
	A	B	C	D	E		H	L	Ht.	Wid.	Studs	S	Z	Ht.	Wid.	P/N
AM363016L	36.05	30.05	14.16	40.50	31.15	14.27	24.00	38.90	33.51	27.51	6	31.26	25.25	33.00	27.00	P3630CS
	916mm	763mm	360mm	1,029mm	791mm	362mm	610mm	988mm	851mm	699mm		794mm	641mm	838mm	686mm	
AM363612L	36.25	36.25	10.16	40.50	37.15	10.27	30.00	38.90	33.51	33.51	8	31.26	31.26	33.00	33.00	P3636CS
	921mm	921mm	258mm	1,029mm	944mm	261mm	762mm	988mm	851mm	851mm		794mm	794mm	838mm	838mm	
AM363616L	36.05	36.05	14.16	40.50	37.15	14.27	30.00	38.90	33.51	33.51	8	31.26	31.26	33.00	33.00	P3636CS
	916mm	916mm	360mm	1,029mm	944mm	362mm	762mm	988mm	851mm	851mm		794mm	794mm	838mm	838mm	
AM483612L	48.25	36.25	10.16	52.50	37.15	10.27	30.00	50.90	45.51	33.51	8	43.26	31.26	45.00	33.00	P4836CS
	1,226mm	921mm	258mm	1,334mm	944mm	261mm	762mm	1,293mm	1,156mm	851mm		1,099mm	794mm	1,143mm	838mm	
AM483616L	48.05	36.05	14.16	52.50	37.15	14.27	30.00	50.90	45.51	33.51	8	43.26	31.26	45.00	33.00	P4836CS
	1,220mm	916mm	360mm	1,334mm	944mm	362mm	762mm	1,293mm	1,156mm	851mm		1,099mm	794mm	1,143mm	838mm	
AM603612L	60.25	36.25	10.16	64.50	37.15	10.27	30.00	62.90	57.51	33.51	8	55.26	31.26	57.00	33.00	P6036CS
	1,530mm	921mm	258mm	1,638mm	944mm	261mm	762mm	1,598mm	1,461mm	851mm		1,404mm	794mm	1,448mm	838mm	
AM603616L	60.05	36.05	14.16	64.50	37.15	14.27	30.00	62.90	57.51	33.51	8	55.26	31.26	57.00	33.00	P6036CS
	1,525mm	915mm	360mm	1,638mm	944mm	362mm	762mm	1,598mm	1,461mm	851mm		1,404mm	794mm	1,448mm	838mm	

All dimensions are in inches unless otherwise noted

Data subject to change without notice



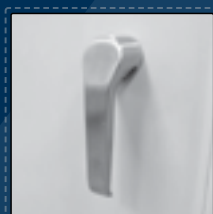
## Empire Series WALL MOUNT ENCLOSURES

### Cover Type

Solid/Opaque

### Closure Type

3-Point Latch Hinged Cover



### Application

Designed to insulate and house electrical and electronic controls, instruments or components for indoor and outdoor applications

- Especially well suited for high temperature or corrosive environments
- Protects from dirt, dust, oil, and water

### Standards

- UL 50 and UL 50E Types 1, 4, and 4X
- Complies with:
  - NEMA Types 1, 4, and 4X
  - IEC 60529 Type IP66
  - RoHS directive

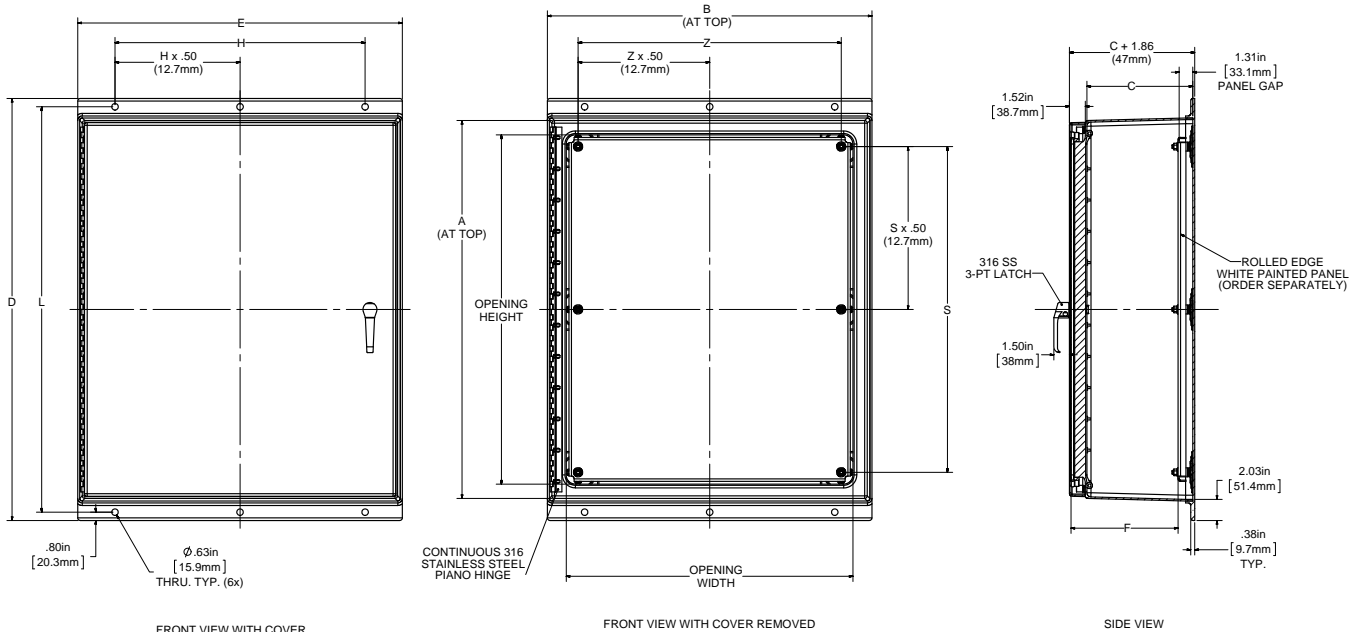
### Construction

- Durable, corrosion resistant gel-coat fiberglass material construction
- Resin Transfer Molded (RTM) doors and box construction
- Molded-in mounting flanges
- Soft, self-gripping EPDM gasket, compresses over flange for tight seal
- 316 stainless steel 3-point latching handle with padlock provision
- Heavy-duty continuous 316 stainless steel hinge
- Fiberglass material has UV inhibitors which provide idea protection from outdoor weathering

### Accessories & Modifications

- Custom size polycarbonate viewing windows
- HMI cover kits
- Inspection windows
- Optional print pocket





NOM. .150 (3.8mm) WALL THICKNESS

Part No.	Box Size At Top			Overall Box Dimensions		Usable Depth	Flange Mount		Opening		Panel Studs			Panel Size		
	A	B	C	D	E		F	H	L	Ht.	Wid.	Studs	S	Z	Ht.	Wid.
AM363016L3PT	36.05	30.05	14.16	40.50	31.15	14.27	24.00	38.90	33.51	27.51	6	31.26	25.25	33.00	27.00	P3630CS
	916mm	763mm	360mm	1,029mm	791mm	362mm	610mm	988mm	851mm	699mm		794mm	641mm	838mm	686mm	
AM363612L3PT	36.25	36.25	10.16	40.50	37.15	10.27	30.00	38.90	33.51	33.51	8	31.26	31.26	33.00	33.00	P3636CS
	921mm	921mm	258mm	1,029mm	944mm	261mm	762mm	988mm	851mm	851mm		794mm	794mm	838mm	838mm	
AM363616L3PT	36.05	36.05	14.16	40.50	37.15	14.27	30.00	38.90	33.51	33.51	8	31.26	31.26	33.00	33.00	P3636CS
	916mm	916mm	360mm	1,029mm	944mm	362mm	762mm	988mm	851mm	851mm		794mm	794mm	838mm	838mm	
AM483612L3PT	48.25	36.25	10.16	52.50	37.15	10.27	30.00	50.90	45.51	33.51	8	43.26	31.26	45.00	33.00	P4836CS
	1,226mm	921mm	258mm	1,334mm	944mm	261mm	762mm	1,293mm	1,156mm	851mm		1,099mm	794mm	1,143mm	838mm	
AM483616L3PT	48.05	36.05	14.16	52.50	37.15	14.27	30.00	50.90	45.51	33.51	8	43.26	31.26	45.00	33.00	P4836CS
	1,220mm	916mm	360mm	1,334mm	944mm	362mm	762mm	1,293mm	1,156mm	851mm		1,099mm	794mm	1,143mm	838mm	
AM603612L3PT	60.25	36.25	10.16	64.50	37.15	10.27	30.00	62.90	57.51	33.51	8	55.26	31.26	57.00	33.00	P6036CS
	1,530mm	921mm	258mm	1,638mm	944mm	261mm	762mm	1,598mm	1,461mm	851mm		1,404mm	794mm	1,448mm	838mm	
AM603616L3PT	60.05	36.05	14.16	64.50	37.15	14.27	30.00	62.90	57.51	33.51	8	55.26	31.26	57.00	33.00	P6036CS
	1,525mm	915mm	360mm	1,638mm	944mm	362mm	762mm	1,598mm	1,461mm	851mm		1,404mm	794mm	1,448mm	838mm	

All dimensions are in inches unless otherwise noted

Data subject to change without notice



# Empire Series

## WALL MOUNT ENCLOSURES

### Cover Type

Solid/Opaque / Viewing Window

### Closure Type

Twist Latch Hinged Cover  
3-Point Latch Hinged Cover



### Application

Designed to insulate and house electrical and electronic controls, instruments or components for indoor and outdoor applications

- Especially well suited for high temperature or corrosive environments
- Protects from dirt, dust, oil, and water
- Window unit provides viewing area for instrumentation or equipment

### Standards

- UL 50 and UL 50E Types 1, 2, 3, 3R, 4, 4X, 12 and 13
- Complies with:
  - NEMA Types 1, 2, 3, 3R, 4, 4X, 12 and 13
  - IEC 60529 Type IP66
  - RoHS directive



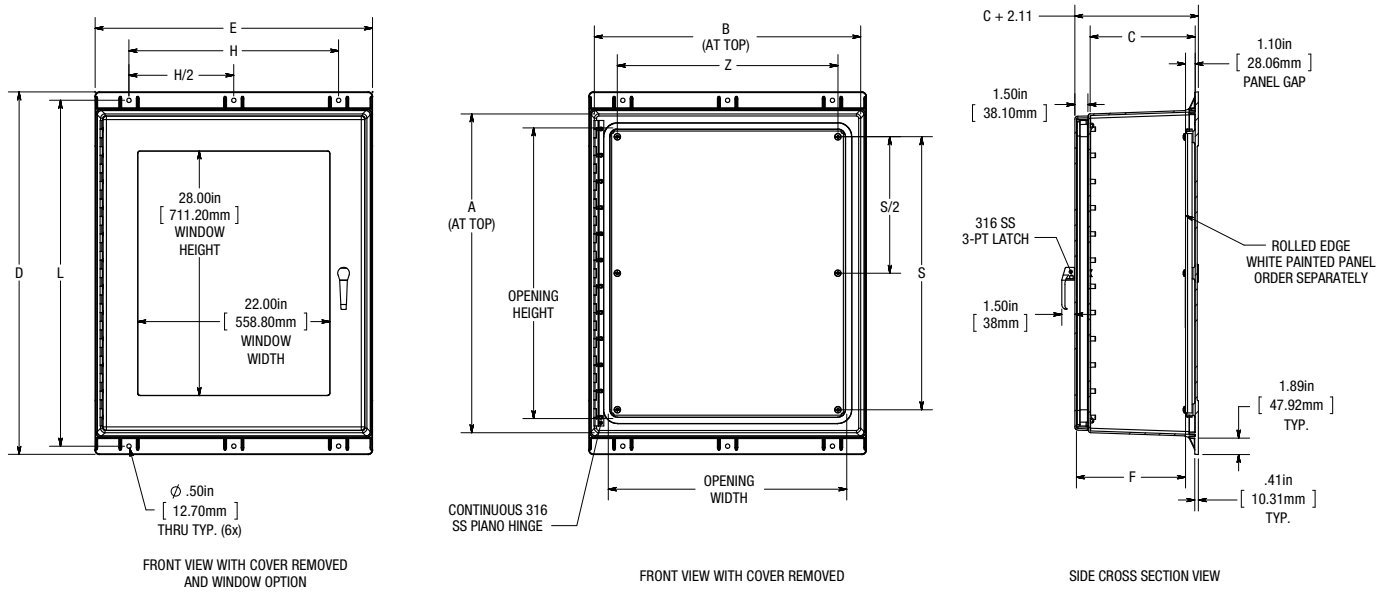
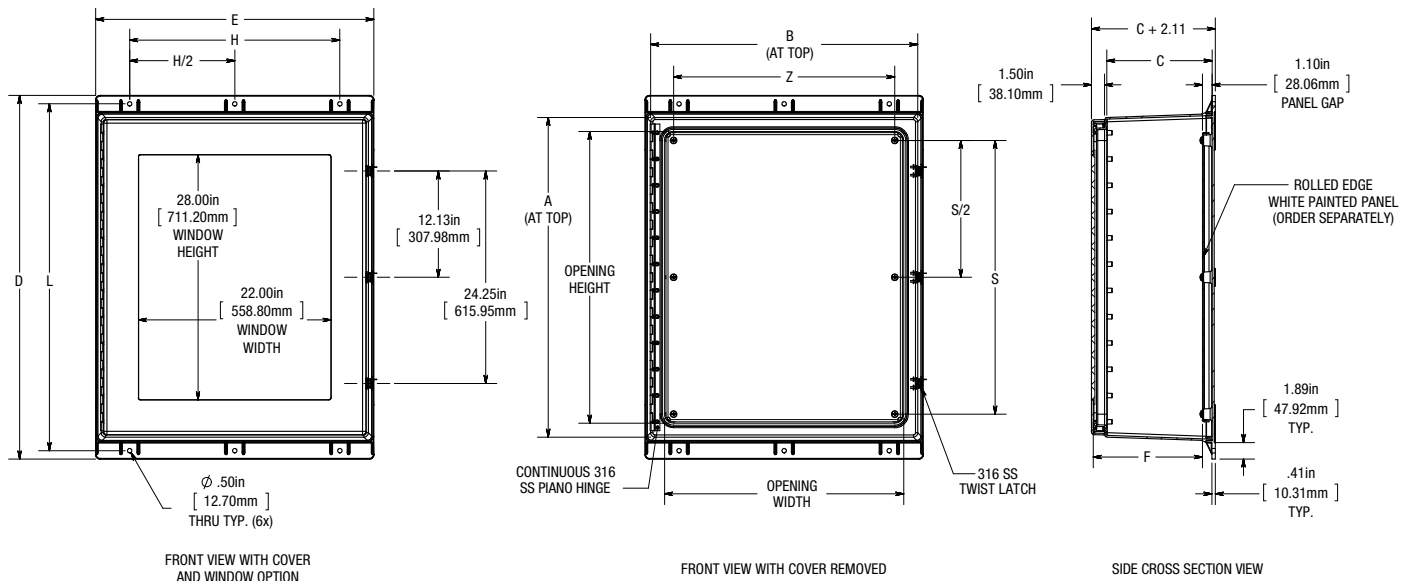
Scan to learn more

### Construction

- Molded cover and two piece box from ULTRAGUARD® material in standard light gray RAL 7035 color
- Optional 316 stainless steel twist latches (T) or 316 stainless steel 3-point latching handle (3PT)
- Formed-In-Place (FIP) polyurethane gasket system provides sealing means to meet IP66/NEMA 4X rating
- Integral mounting flange is molded in fiberglass material
- 3/8-16 threaded brass inserts are molded in for optional back panel
- 3/8-6 x .75 combo head, carbon steel plated screws are included with each enclosure for use with the optional back panel
- Heavy-duty, continuous 316 stainless steel hinge
- Optional UV-resistant polycarbonate viewing window (W)

### Accessories & Modifications

- Custom size polycarbonate viewing windows
- HMI cover kits
- Inspection windows
- Optional print pocket



### Solid/Opaque

Part No.	Box Size At Top			Overall Box Dimensions		Usable Depth	Flange Mount		Opening		Panel Studs			Panel Size		
	A	B	C	D	E		F	H	L	Ht.	Wid.	Studs	S	Z	Ht.	Wid.
AMEC363012T	36.50	30.50	12.03	41.50	31.76	12.48	24.00	39.60	33.30	27.30	6	31.25	25.25	33.00	27.00	P3630CS
AMEC3630123PT	927mm	775mm	306mm	1054mm	807mm	317mm	610mm	1006mm	846mm	693mm		794mm	641mm	838mm	686mm	

All dimensions are in inches unless otherwise noted

Data subject to change without notice

### Viewing Window

Part No.	Box Size At Top			Overall Box Dimensions		Usable Depth	Flange Mount		Opening		Panel Studs			Panel Size		
	A	B	C	D	E		F	H	L	Ht.	Wid.	Studs	S	Z	Ht.	Wid.
AMEC363012TW	36.50	30.50	12.03	41.50	31.76	12.19	24.00	39.60	33.30	27.30	6	31.25	25.25	33.00	27.00	P3630CS
AMEC3630123PTW	927mm	775mm	306mm	1054mm	807mm	310mm	610mm	1006mm	846mm	693mm		794mm	641mm	838mm	686mm	

All dimensions are in inches unless otherwise noted  
Window sizes noted above in drawings

Data subject to change without notice



## Empire Series

FREE STANDING SINGLE DOOR

### Cover Type

Solid/Opaque

### Closure Type

3-Point Latch Hinged Cover



### Application

Designed to insulate and house electrical and electronic controls, instruments or components for indoor and outdoor applications

- Especially well suited for high temperature or corrosive environments
- Protects from dirt, dust, oil, and water

### Standards

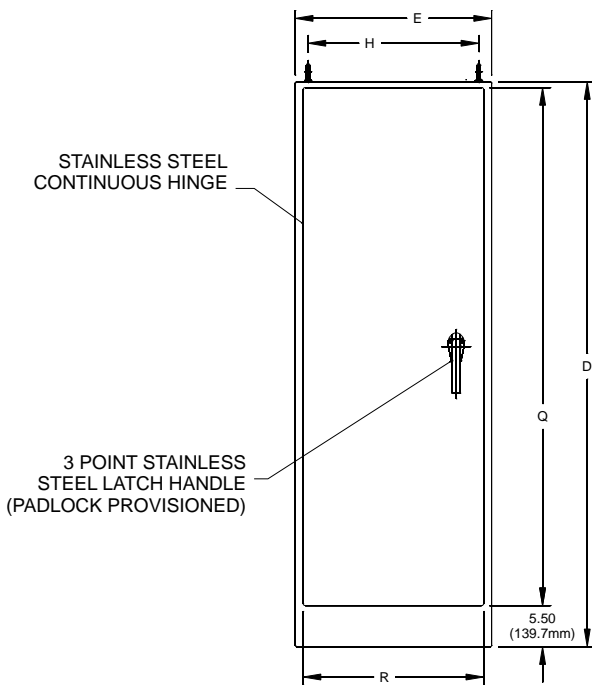
- UL 50 and UL 50E Types 1, 4, and 4X
- Complies with:
  - NEMA Types 1, 4, and 4X
  - IEC 60529 Type IP66
  - RoHS directive

### Construction

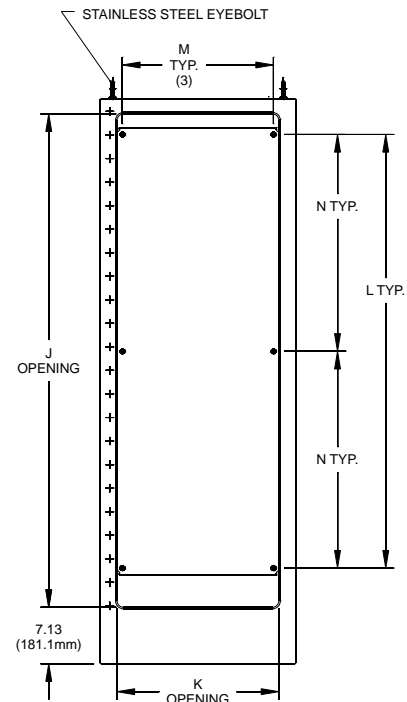
- Durable, corrosion resistant gel-coat fiberglass material construction
- Resin Transfer Molded (RTM) doors and box construction
- Soft, self-gripping EPDM gasket, compresses over flange for tight seal
- One 316 stainless steel 3-point latching handle with padlock provision
- Heavy-duty continuous 316 stainless steel hinge
- Fiberglass material has UV inhibitors which provide idea protection from outdoor weathering
- Heavy duty lifting eye bolts

### Accessories & Modifications

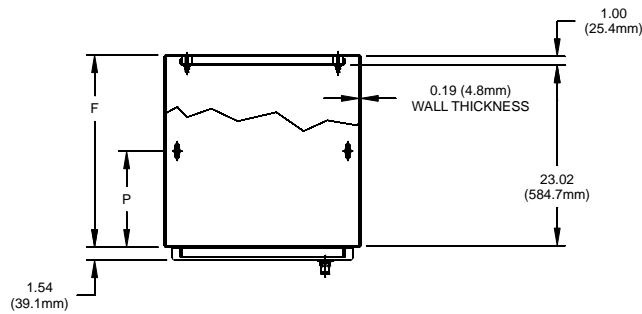
- Custom size polycarbonate viewing windows
- HMI cover kits
- Inspection windows
- Optional print pocket



FRONT VIEW WITH DOOR



FRONT VIEW WITH DOOR REMOVED



Optional Carbon Steel Back Panel		
Part No.	Height	Width
P7225CS	57.00	21.00
	1448mm	533mm

Part No.	D	E	F	H	J	K	L	M	N	P	Q	R	# Panel Mount Studs
AM722525FS	72.00	25.00	24.50	21.75	62.88	20.63	55.25	19.25	27.63	12.25	66.00	23.00	6
	1829mm	635mm	622mm	552mm	1597mm	524mm	1403mm	489mm	702mm	311mm	1676mm	584mm	

All dimensions are in inches unless otherwise noted

Data subject to change without notice



## Empire Series

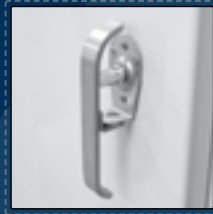
### FREE STANDING DOUBLE DOOR

#### Cover Type

Solid/Opaque

#### Closure Type

3-Point Latch Hinged Cover



#### Application

Designed to insulate and house electrical and electronic controls, instruments or components for indoor and outdoor applications

- Especially well suited for high temperature or corrosive environments
- Protects from dirt, dust, oil, and water

#### Standards

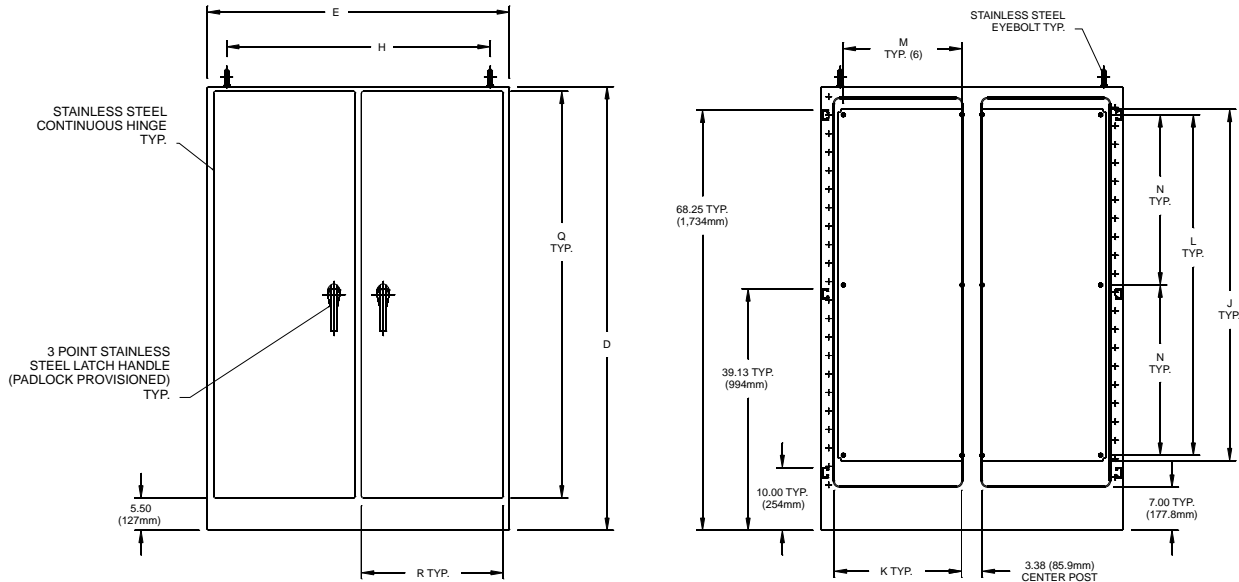
- UL 50 and UL 50E Types 1, 4, and 4X
- Complies with:
  - NEMA Types 1, 4, and 4X
  - IEC 60529 Type IP66
  - RoHS directive

#### Construction

- Durable, corrosion resistant gel-coat fiberglass material construction
- Resin Transfer Molded (RTM) doors and hand-layup box construction
- Soft, self-gripping EPDM gasket, compresses over flange for tight seal
- Two 316 stainless steel 3-point latching handles with padlock provision
- Heavy-duty continuous 316 stainless steel hinge
- Fiberglass material has UV inhibitors which provide idea protection from outdoor weathering
- Heavy duty lifting eye bolts

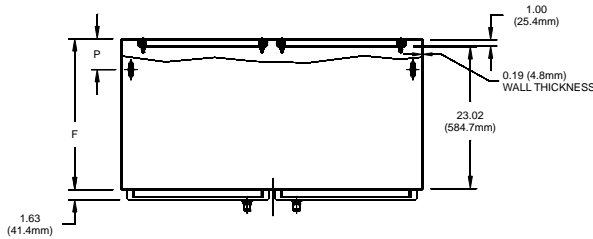
#### Accessories & Modifications

- Custom size polycarbonate viewing windows
- HMI cover kits
- Inspection windows
- Optional print pocket



FRONT VIEW WITH DOORS

FRONT VIEW WITH DOORS REMOVED



Optional Carbon Steel Back Panel		
Part No.	Height	Width
*P7249CS	57.00	21.00
	1448mm	533mm

\*Note: Consists of two separate panels

Part No.	D	E	F	H	J	K	L	M	N	P	Q	R	# Panel Mount Studs
AM724925FSDD	72.00	49.00	24.50	45.25	62.88	20.63	55.25	19.25	27.63	5.00	66.00	23.00	12
	1829mm	1245mm	622mm	1149mm	1597mm	524mm	1403mm	489mm	702mm	127mm	1676mm	584mm	

All dimensions are in inches unless otherwise noted

Data subject to change without notice





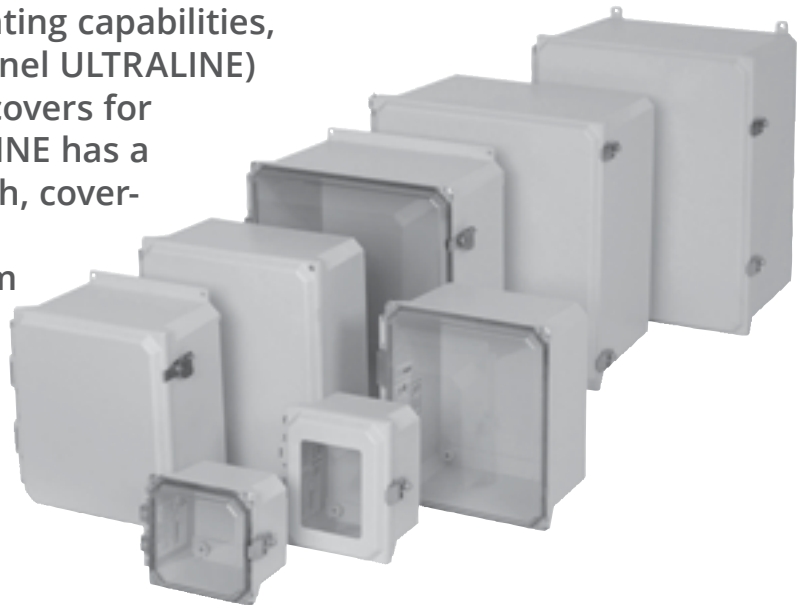
AMU SERIES

# FIBERGLASS

## ULTRALINE®

U.S. Pat. No. 7,572,975

The ULTRALINE® AMU series fiberglass product family from Allied Moulded was developed primarily for OEM (Original Equipment Manufacturer) panel builder applications requiring JIC sizes. These enclosures offer features such as patented multi-mounting capabilities, field installable HFPU (hinged front panel ULTRALINE) accessories, and clear polycarbonate covers for instrumentation applications. ULTRALINE has a more modern exterior design in a flush, cover-to-base contour which many system integrators prefer for improved system aesthetics. Available sizes include 6" x 6" x 4" (152mm x 152mm x 102mm) up through 20" x 16" x 10" (508mm x 406mm x 254mm).



Scan to learn more





## AMU Series Features & Benefits

- Molded ULTRAGUARD® fiberglass reinforced polyester (FRP) material construction for durability
- Cover to base design - flush, aesthetically pleasing and more modern architecture
- Patented (US Pat. No. 7,572,975) multi-mounting capability
  - Out-of-the-box polycarbonate flange design (factory installed)
  - Optional polycarbonate foot mount brackets for multi-directional mounting (vertical or horizontal positioning)
  - 316 stainless steel foot/flange mounting screws
- Solid opaque or clear polycarbonate cover options
- Partial molded hinges with 316 stainless steel secure hinge pin - no wall penetrations
- Formed-In-Place (FIP) polyurethane gasket system
- Mounting panel inserts for optional back panel
- UV stabilized for outdoor use

## AMU Series Specifications

- Non-corrosive
- Non-conductive
- Standard RAL 7035 light gray color
- Temperature-resistant
- Fire-resistant
- Rated NEMA 1, 2, 3, 3R, 4, 4X, 12 and 13
- UL® listed
- Compliant with RoHS directive

## Accessories

- Optional hinged front panels
- ULTRAPLUG® hole plugs
- Pole mount kits
- HMI cover kits
- Inspection windows
- UV resistant polycarbonate viewing windows

## Modifications

We are pleased to modify any of our standard products to fit your needs with:

- Custom holes and cutouts
- Custom size polycarbonate viewing windows
- Hinge installed on short side
- EMI/RFI shielding
- Factory-supplied custom printing

*For complete details on factory modifications including a modification request form, see pages 1-3.*

MODS

TECHNICAL

STANDARDS

ULTRAGUARD®

FIBERGLASS

AM SERIES

AM-R

AMHD-R

CONTROL

EMPIRE

ULTRALINE®

POLYLINE®

ACCESSORIES

INDEX

# AMU Series

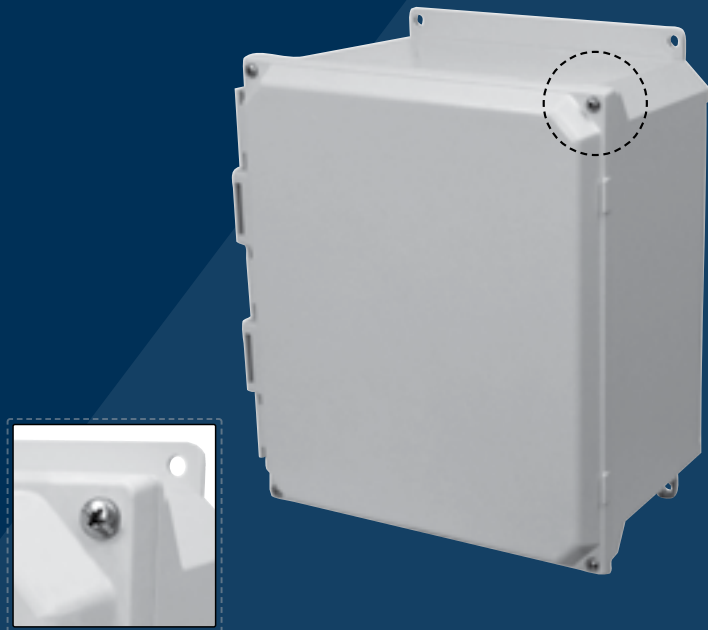
## JIC SIZE JUNCTION BOXES

### Cover Type

Solid/Opaque

### Closure Type

Lift-Off Screw Cover



### Application

Designed to insulate and protect controls and components in both indoor and outdoor applications often found in oil refineries, waste water treatment equipment, chemical plants, and many other applications

- Especially well suited for high temperature or corrosive environments
- Protects from dirt, dust, oil and water
- For use with industrial control equipment

### Standards

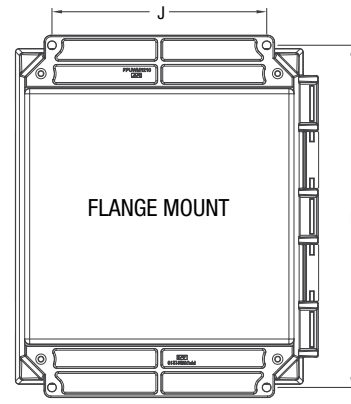
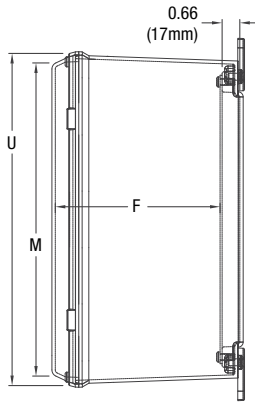
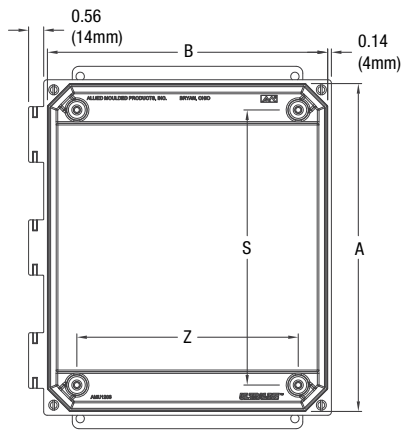
- UL 50 and UL 50E Types 1, 2, 3, 3R, 4, 4X, 6P, 12 and 13
- Complies with:
  - NEMA Types 1, 2, 3, 3R, 4, 4X, 6P, 12 and 13
  - IEC 60529 Type IP68 submersible up to 24 hours at a depth of 6 feet (1.8 meters)
  - RoHS directive

### Construction

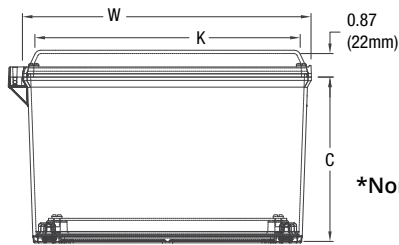
- Molded fiberglass reinforced polyester construction with flush, solid/opaque cover
- Allied Moulded ULTRAGUARD<sup>®</sup> fiberglass reinforced polyester material formulation - UV stabilized for outdoor use
- Opaque cover, base, feet, flanges — Light gray color (RAL 7035)  
Note: foot models mounting hardware supplied in a bag. Flanged models are pre-assembled
- 316 stainless steel captive cover screws
- Formed-In-Place (FIP) polyurethane gasket system encased in continuous channel
- Polycarbonate foot/flange mounting brackets with 316 stainless steel fasteners
- #10-32 threaded brass inserts are installed for back panel mounting

### Accessories & Modifications

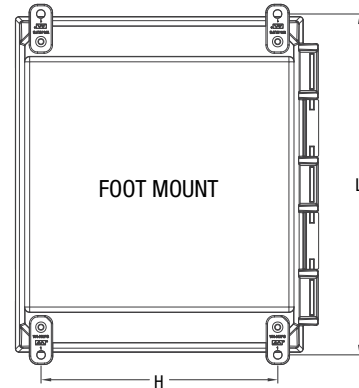
- Custom holes and cutouts
- Custom size polycarbonate viewing windows
- Molded-in color matching
- EMI/RFI shielding
- Factory-supplied custom printing



Note: Cover Removed for Clarity



\*Nom. Wall Thickness: .13 (3mm)  
16" size: .16 (4mm)  
18" & 20" sizes: .19 (5mm)



Part No.	Box Size			Usable Depth	Panel Boss Centers		Back Panel Size			Flange Mount Centers		Foot Mount Centers		Cover Size			
	A	B	C		F	S	Z	Ht.	Wid.	P/N	J	I	H	L	K	M	W
AMU664 AMU664F	6.04	6.26	4.12	4.09	4.25	4.25	4.81	4.81	PL66 PLA66	4.00	6.88, 6.75	4.91	6.75	5.70	5.53	6.72	6.50
	153mm	159mm	105mm	103mm	108mm	108mm	122mm	122mm		102mm	175, 171mm	125mm	171mm	145mm	140mm	171mm	165mm
AMU864 AMU864F	8.06	6.28	4.13	4.11	6.25	4.25	6.75	4.88	PL86 PLA86	4.00	8.88, 8.75	4.91	8.75	5.75	7.53	6.72	8.50
	205mm	160mm	105mm	104mm	159mm	108mm	171mm	124mm		102mm	222, 226mm	125mm	222mm	146mm	191mm	171mm	216mm
AMU1084 AMU1084F	10.05	8.27	4.13	4.12	8.25	6.25	8.75	6.88	PL108 PLA108	6.00	10.75	6.91	10.75	7.75	9.53	8.72	10.50
	255mm	210mm	105mm	105mm	210mm	159mm	222mm	175mm		152mm	273mm	176mm	273mm	197mm	242mm	221mm	267mm
AMU1086 AMU1086F	10.04	8.26	6.13	6.10	8.25	6.25	8.75	6.88	PL108 PLA108	6.00	10.75	6.91	10.75	7.75	9.53	8.72	10.50
	255mm	210mm	156mm	155mm	210mm	159mm	222mm	175mm		152mm	273mm	175mm	273mm	197mm	242mm	221mm	267mm
AMU1206 AMU1206F	12.05	10.27	6.13	6.12	10.25	8.25	10.75	8.88	PL120 PLA120	8.00	12.75	8.82	12.70	9.75	11.53	10.72	12.50
	306mm	261mm	156mm	155mm	260mm	210mm	273mm	226mm		203mm	324mm	224mm	323mm	248mm	293mm	272mm	318mm
AMU1426 AMU1426F	14.05	12.27	6.13	6.11	12.25	10.25	12.75	10.88	PL142 PLA142	10.01	14.75, 14.62	10.82	14.70	11.75	13.53	12.72	14.50
	357mm	312mm	156mm	155mm	311mm	260mm	324mm	276mm		254mm	375, 371mm	275mm	373mm	298mm	344mm	323mm	368mm
AMU1648 AMU1648F	16.05	14.27	8.14	8.09	14.25	12.25	14.75	12.88	P164 PA164	12.00	16.75	11.47	16.91	13.75	15.53	14.72	16.50
	408mm	362mm	207mm	205mm	362mm	311mm	375mm	327mm		305mm	425mm	291mm	430mm	349mm	394mm	374mm	419mm
AMU1860 AMU1860F	18.12	16.34	10.13	10.10	16.26	14.25	16.88	14.88	P186 PA186	12.00	18.88, 18.76	13.72	19.16	15.75	17.78	16.97	18.75
	460mm	415mm	257mm	257mm	413mm	362mm	429mm	378mm		305mm	480, 477mm	348mm	487mm	400mm	452mm	431mm	476mm
AMU2060 AMU2060F	19.87	16.09	10.14	10.09	17.81	13.81	18.44	14.44	P206 PA206	10.00	21.28	13.16	20.53	15.75	19.53	16.72	20.50
	505mm	409mm	257mm	256mm	452mm	351mm	468mm	367mm		254mm	541mm	334mm	521mm	400mm	496mm	425mm	521mm

All dimensions are in inches unless otherwise noted

"I" dimensions with multiple numbers indicate slotted holes

All sizes 6" x 6" x 4" up through 20" x 16" x 10" are rated 6P (IP68)

Enclosure base part numbers come standard with 4 separately bagged feet (ex. AMU664)

Part numbers with "F" signify factory installed flanges (ex. AMU664F)

Data subject to change without notice



MODS  
TECHNICAL  
STANDARDS  
ULTRAGUARD®  
FIBERGLASS  
AM SERIES  
AM-R  
AMHD-R  
CONTROL  
EMPIRE  
ULTRALINE®  
POLYLINE®  
ACCESSORIES  
INDEX

# AMU Series

## JIC SIZE JUNCTION BOXES

### Cover Type

Viewing Window

### Closure Type

Lift-Off Screw Cover



### Application

Designed to insulate and protect controls and components in both indoor and outdoor applications often found in oil refineries, waste water treatment equipment, chemical plants, and many other applications

- Especially well suited for high temperature or corrosive environments
- Protects from dirt, dust, oil and water
- For use with industrial control equipment
- Clear polycarbonate viewing window, used in applications where critical electronic equipment must be visible and protected from the elements

### Standards

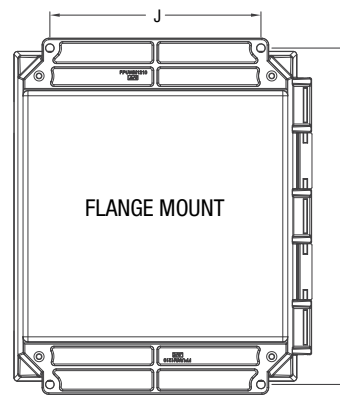
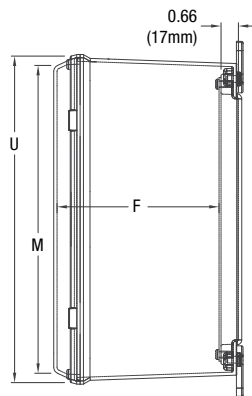
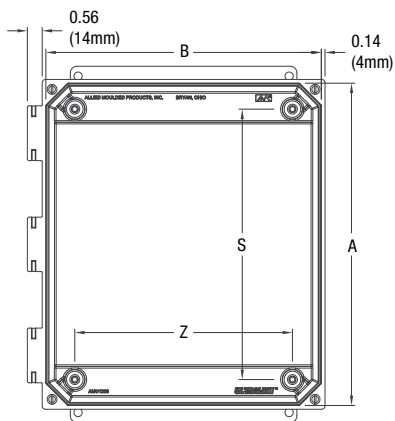
- UL 50 and UL 50E Types 1, 2, 3, 3R, 4, 4X, 12 and 13
- Complies with:
  - NEMA Types 1, 2, 3, 3R, 4, 4X, 12 and 13
  - IEC 60529 Type IP66
  - RoHS directive

### Construction

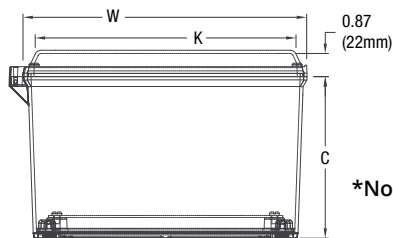
- Molded fiberglass reinforced polyester construction with flush, polycarbonate viewing window cover
- Allied Moulded ULTRAGUARD® fiberglass reinforced polyester material formulation - UV stabilized for outdoor use
- Opaque cover, base, feet, flanges — Light gray color (RAL 7035)  
Note: foot models mounting hardware supplied in a bag. Flanged models are pre-assembled
- 316 stainless steel captive cover screws
- Formed-In-Place (FIP) polyurethane gasket system encased in continuous channel
- Polycarbonate foot/flange mounting brackets with 316 stainless steel fasteners
- #10-32 threaded brass inserts are installed for back panel mounting

### Accessories & Modifications

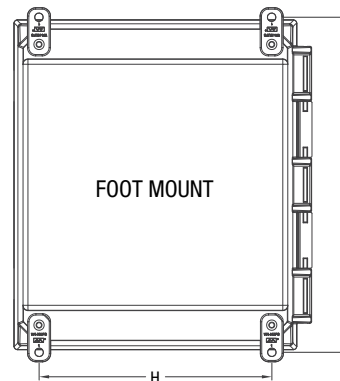
- Custom holes and cutouts
- Molded-in color matching
- EMI/RFI shielding
- Factory-supplied custom printing



Note: Cover Removed for Clarity



\*Nom. Wall Thickness: .13 (3mm)  
16" size: .16 (4mm)  
18" & 20" sizes: .19 (5mm)



Part No.	Box Size			Usable Depth	Panel Boss Centers		Back Panel Size			Flange Mount Centers		Foot Mount Centers		Cover Size				Window Dim. (H x W)
	A	B	C		F	S	Z	Ht.	Wid.	P/N	J	I	H	L	K	M	W	
AMU664W AMU664WF	6.04	6.26	4.13	3.87	4.25	4.25	4.81	4.81	PL66 PLA66	4.00	6.88, 6.75	4.91	6.75	5.70	5.53	6.72	6.50	3.50 x 3.50
	153mm	159mm	105mm	98mm	108mm	108mm	122mm	122mm		102mm	175, 171mm	125mm	171mm	145mm	140mm	171mm	165mm	89mm x 89mm
AMU864W AMU864WF	8.06	6.28	4.13	3.88	6.25	4.25	6.75	4.88	PL86 PLA86	4.00	8.88, 8.75	4.91	8.75	5.75	7.53	6.72	8.50	5.25 x 4.00
	205mm	160mm	105mm	99mm	159mm	108mm	171mm	124mm		102mm	222, 226mm	125mm	222mm	146mm	191mm	171mm	216mm	133mm x 102mm
AMU1084W AMU1084WF	10.05	8.27	4.13	3.88	8.25	6.25	8.75	6.88	PL108 PLA108	6.00	10.75	6.91	10.75	7.75	9.53	8.72	10.50	6.25 x 4.25
	255mm	210mm	105mm	99mm	210mm	159mm	222mm	175mm		152mm	273mm	176mm	273mm	197mm	242mm	221mm	267mm	159mm x 108mm
AMU1086W AMU1086WF	10.04	8.26	6.13	5.98	8.25	6.25	8.75	6.88	PL108 PLA108	6.00	10.75	6.91	10.75	7.75	9.53	8.72	10.50	6.25 x 4.25
	255mm	210mm	156mm	152mm	210mm	159mm	222mm	175mm		152mm	273mm	175mm	273mm	197mm	242mm	221mm	267mm	159mm x 108mm
AMU1206W AMU1206WF	12.05	10.27	6.13	5.88	10.25	8.25	10.75	8.88	PL120 PLA120	8.00	12.75	8.82	12.70	9.75	11.53	10.72	12.50	8.38 x 6.50
	306mm	261mm	156mm	149mm	260mm	210mm	273mm	226mm		203mm	324mm	224mm	323mm	248mm	293mm	272mm	318mm	213mm x 165mm
AMU1426W AMU1426WF	14.05	12.27	6.13	5.88	12.25	10.25	12.75	10.88	PL142 PLA142	10.01	14.75, 14.62	10.82	14.70	11.75	13.53	12.72	14.50	10.38 x 8.51
	357mm	312mm	156mm	149mm	311mm	260mm	324mm	276mm		254mm	375, 371mm	275mm	373mm	298mm	344mm	323mm	368mm	264mm x 216mm
AMU1648W AMU1648WF	16.05	14.27	8.14	7.87	14.25	12.25	14.75	12.88	P164 PA164	12.00	16.75	11.47	16.91	13.75	15.53	14.72	16.50	12.38 x 10.50
	408mm	362mm	207mm	200mm	362mm	311mm	375mm	327mm		305mm	425mm	291mm	430mm	349mm	394mm	374mm	419mm	314mm x 267mm
AMU1860W AMU1860WF	18.12	16.34	10.13	9.88	16.26	14.26	16.88	14.88	P186 PA186	12.00	18.88, 18.76	13.72	19.16	15.75	17.78	16.97	18.75	13.00 x 11.00
	460mm	415mm	257mm	251mm	413mm	362mm	429mm	378mm		305mm	480, 477mm	348mm	487mm	400mm	452mm	431mm	476mm	330mm x 267mm
AMU2060W AMU2060WF	19.87	16.09	10.14	9.87	17.81	13.81	18.44	14.44	P206 PA206	10.00	21.28	13.16	20.53	15.75	19.53	16.72	20.50	14.00 x 12.00
	505mm	409mm	257mm	251mm	452mm	351mm	468mm	367mm		254mm	540mm	334mm	521mm	400mm	496mm	425mm	521mm	356mm x 305mm

All dimensions are in inches unless otherwise noted  
 "I" dimensions with multiple numbers indicate slotted holes  
 Enclosure base part numbers come standard with 4 separately bagged feet (ex. AMU664W)  
 Part numbers with "F" signify factory installed flanges (ex. AMU664WF)

Data subject to change without notice



# AMU Series

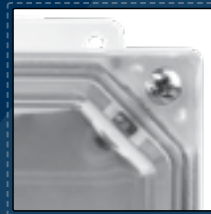
## JIC SIZE JUNCTION BOXES

### Cover Type

Clear Polycarbonate

### Closure Type

Lift-Off Screw Cover



### Application

Designed to insulate and protect controls and components in both indoor and outdoor applications often found in oil refineries, waste water treatment equipment, chemical plants, and many other applications

- Especially well suited for high temperature or corrosive environments
- Protects from dirt, dust, oil and water
- For use with industrial control equipment
- Clear polycarbonate instrumentation cover, used in applications where critical electronic equipment must be visible and protected from the elements

### Standards

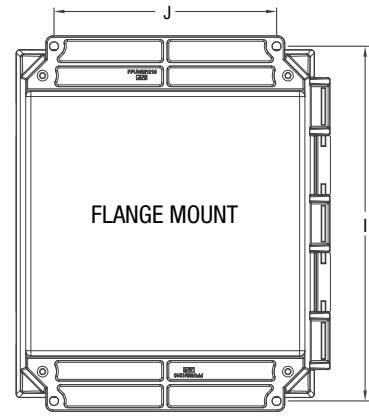
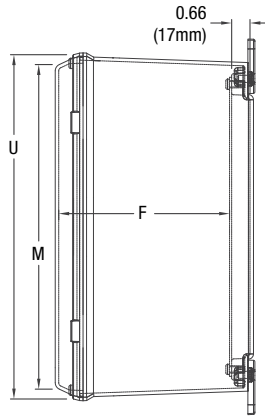
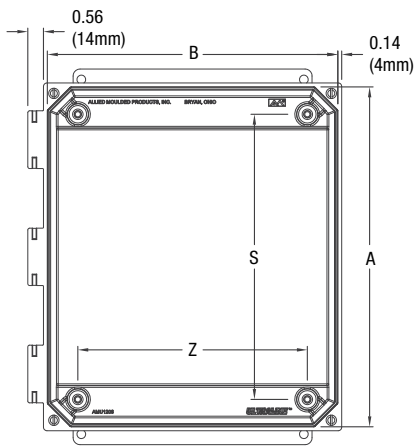
- UL 50 and UL 50E Types 1, 2, 3, 3R, 4, 4X, 6P, 12 and 13
- Complies with:
  - NEMA Types 1, 2, 3, 3R, 4, 4X, 6P, 12 and 13
  - IEC 60529 Type IP68 submersible up to 24 hours at a depth of 6 feet (1.8 meters)
  - RoHS directive

### Construction

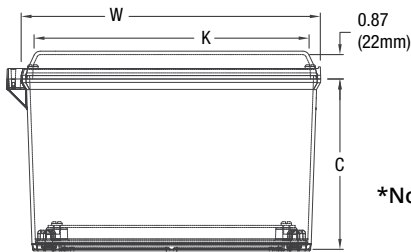
- Molded fiberglass reinforced polyester construction with flush, clear polycarbonate cover
- Allied Moulded ULTRAGUARD® fiberglass reinforced polyester material formulation - UV stabilized for outdoor use
- Enclosure base, feet, flanges — Light gray color (RAL 7035)  
Note: foot models mounting hardware supplied in a bag. Flanged models are pre-assembled
- 316 stainless steel captive cover screws
- Formed-In-Place (FIP) polyurethane gasket system encased in continuous channel
- Polycarbonate foot/flange mounting brackets with 316 stainless steel fasteners
- #10-32 threaded brass inserts are installed for back panel mounting

### Accessories & Modifications

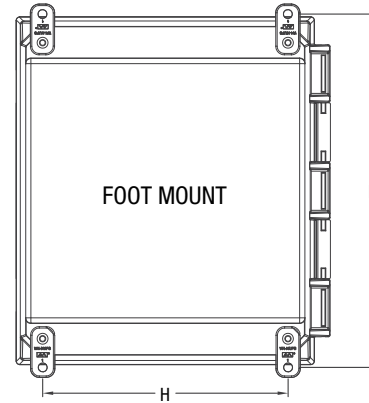
- Custom holes and cutouts
- Molded-in color matching
- EMI/RFI shielding
- Factory-supplied custom printing



Note: Cover Removed for Clarity



\*Nom. Wall Thickness: .13 (3mm)  
16" size: .16 (4mm)  
18" & 20" sizes: .19 (5mm)



Part No.	Box Size			Usable Depth	Panel Boss Centers		Back Panel Size			Flange Mount Centers		Foot Mount Centers		Cover Size			
	A	B	C		F	S	Z	Ht.	Wid.	P/N	J	I	H	L	K	M	W
AMU664CC AMU664CCF	6.04	6.26	4.12	4.09	4.25	4.25	4.81	4.81	PL66 PLA66	4.00	6.88, 6.75	4.91	6.75	5.70	5.53	6.72	6.50
	153mm	159mm	105mm	103mm	108mm	108mm	122mm	122mm		102mm	175, 171mm	125mm	171mm	145mm	140mm	171mm	165mm
AMU864CC AMU864CCF	8.06	6.28	4.13	4.11	6.25	4.25	6.75	4.88	PL86 PLA86	4.00	8.88, 8.75	4.91	8.75	5.75	7.53	6.72	8.50
	205mm	160mm	105mm	104mm	159mm	108mm	171mm	124mm		102mm	222, 226mm	125mm	222mm	146mm	191mm	171mm	216mm
AMU1084CC AMU1084CCF	10.05	8.27	4.13	4.12	8.25	6.25	8.75	6.88	PL108 PLA108	6.00	10.75	6.91	10.75	7.75	9.53	8.72	10.50
	255mm	210mm	105mm	105mm	210mm	159mm	222mm	175mm		152mm	273mm	176mm	273mm	197mm	242mm	221mm	267mm
AMU1086CC AMU1086CCF	10.04	8.26	6.13	6.10	8.25	6.25	8.75	6.88	PL108 PLA108	6.00	10.75	6.91	10.75	7.75	9.53	8.72	10.50
	255mm	210mm	156mm	155mm	210mm	159mm	222mm	175mm		152mm	273mm	175mm	273mm	197mm	242mm	221mm	267mm
AMU1206CC AMU1206CCF	12.05	10.27	6.13	6.12	10.25	8.25	10.75	8.88	PL120 PLA120	8.00	12.75	8.82	12.70	9.75	11.53	10.72	12.50
	306mm	261mm	156mm	155mm	260mm	210mm	273mm	226mm		203mm	324mm	224mm	323mm	248mm	293mm	272mm	318mm
AMU1426CC AMU1426CCF	14.05	12.27	6.13	6.11	12.25	10.25	12.75	10.88	PL142 PLA142	10.01	14.75, 14.62	10.82	14.70	11.75	13.53	12.72	14.50
	357mm	312mm	156mm	155mm	311mm	260mm	324mm	276mm		254mm	375, 371mm	275mm	373mm	298mm	344mm	323mm	368mm
AMU1648CC AMU1648CCF	16.05	14.27	8.14	8.09	14.25	12.25	14.75	12.88	P164 PA164	12.00	16.75	11.47	16.91	13.75	15.53	14.72	16.50
	408mm	362mm	207mm	205mm	362mm	311mm	375mm	327mm		305mm	425mm	291mm	430mm	349mm	394mm	374mm	419mm
AMU2060CC AMU2060CCF	19.87	16.09	10.14	10.09	17.81	13.81	18.44	14.44	P206 PA206	10.00	21.28	13.16	20.53	15.75	19.53	16.72	20.50
	505mm	409mm	257mm	256mm	452mm	351mm	468mm	367mm		254mm	541mm	334mm	521mm	400mm	496mm	425mm	521mm

All dimensions are in inches unless otherwise noted  
 "I" dimensions with multiple numbers indicate slotted holes  
 All sizes 6" x 6" x 4" up through 20" x 16" x 10" are rated 6P (IP68)  
 Enclosure base part numbers come standard with 4 separately bagged feet (ex. AMU664CC)  
 Part numbers with "F" signify factory installed flanges (ex. AMU664CCF)

Data subject to change without notice



# AMU Series

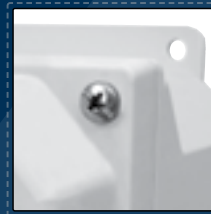
## JIC SIZE JUNCTION BOXES

### Cover Type

Solid/Opaque

### Closure Type

Hinged Screw Cover



## Application

Designed to insulate and protect controls and components in both indoor and outdoor applications often found in oil refineries, waste water treatment equipment, chemical plants, and many other applications

- Especially well suited for high temperature or corrosive environments
- Protects from dirt, dust, oil and water
- For use with industrial control equipment

## Standards

- UL 50 and UL 50E Types 1, 2, 3, 3R, 4, 4X, 12 and 13
- Complies with:
  - NEMA Types 1, 2, 3, 3R, 4, 4X, 12 and 13
  - IEC 60529 Type IP66
  - RoHS directive

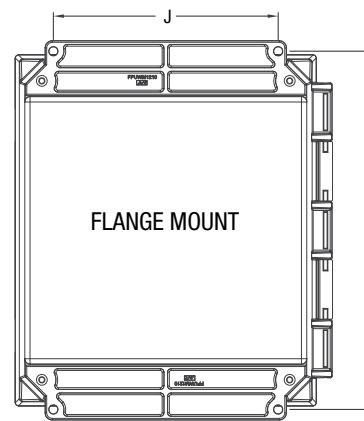
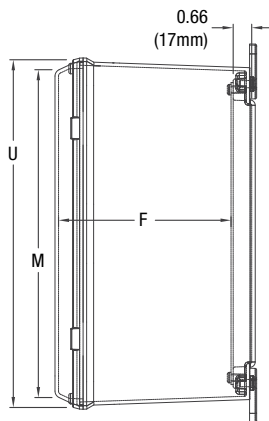
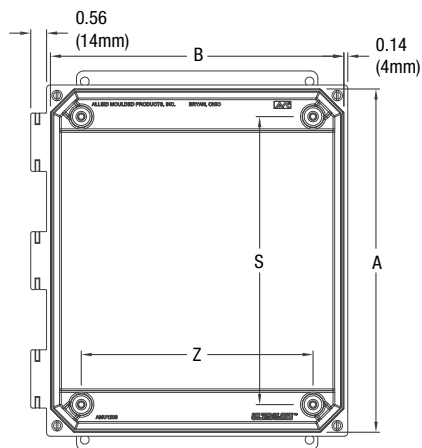
## Construction

- Molded fiberglass reinforced polyester construction with flush, solid/opaque cover
- Allied Moulded ULTRAGUARD® fiberglass reinforced polyester material formulation - UV stabilized for outdoor use
- Opaque cover, base, feet, flanges — Light gray color (RAL 7035)  
Note: foot models mounting hardware supplied in a bag. Flanged models are pre-assembled
- 316 stainless steel hinge pin and captive cover screws
- Formed-In-Place (FIP) polyurethane gasket system encased in continuous channel
- Polycarbonate foot/flange mounting brackets with 316 stainless steel fasteners
- #10-32 threaded brass inserts are installed for back panel mounting

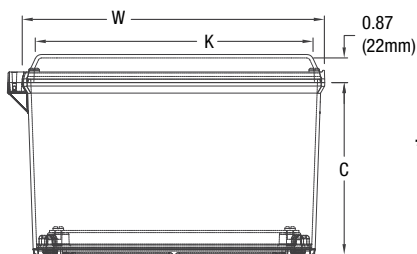
## Accessories & Modifications

- Custom holes and cutouts
- Custom size polycarbonate viewing windows
- Molded-in color matching
- EMI/RFI shielding
- Factory-supplied custom printing

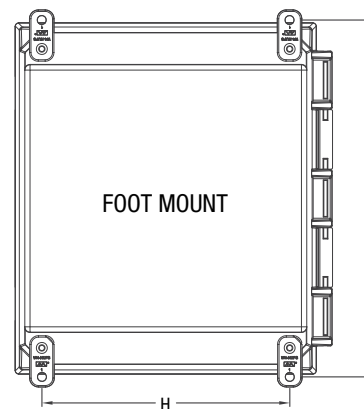




Note: Cover Removed for Clarity



\*Nom. Wall Thickness: .13 (3mm)  
16" size: .16 (4mm)  
18" & 20" sizes: .19 (5mm)



Part No.	Box Size			Usable Depth	Panel Boss Centers		Back Panel Size			Flange Mount Centers		Foot Mount Centers		Cover Size			
	A	B	C		F	S	Z	Ht.	Wid.	P/N	J	I	H	L	K	M	W
AMU664H AMU664HF	6.04	6.26	4.12	4.09	4.25	4.25	4.81	4.81	PL66 PLA66	4.00	6.88, 6.75	4.91	6.75	5.70	5.53	6.72	6.50
	153mm	159mm	105mm	103mm	108mm	108mm	122mm	122mm		102mm	175, 171mm	125mm	171mm	145mm	140mm	171mm	165mm
AMU864H AMU864HF	8.06	6.28	4.13	4.11	6.25	4.25	6.75	4.88	PL86 PLA86	4.00	8.88, 8.75	4.91	8.75	5.75	7.53	6.72	8.50
	205mm	160mm	105mm	104mm	159mm	108mm	171mm	124mm		102mm	222, 226mm	125mm	222mm	146mm	191mm	171mm	216mm
AMU1084H AMU1084HF	10.05	8.27	4.13	4.12	8.25	6.25	8.75	6.88	PL108 PLA108	6.00	10.75	6.91	10.75	7.75	9.53	8.72	10.50
	255mm	210mm	105mm	105mm	210mm	159mm	222mm	175mm		152mm	273mm	176mm	273mm	197mm	242mm	221mm	267mm
AMU1086H AMU1086HF	10.04	8.26	6.13	6.10	8.25	6.25	8.75	6.88	PL108 PLA108	6.00	10.75	6.91	10.75	7.75	9.53	8.72	10.50
	255mm	210mm	156mm	155mm	210mm	159mm	222mm	175mm		152mm	273mm	175mm	273mm	197mm	242mm	221mm	267mm
AMU1206H AMU1206HF	12.05	10.27	6.13	6.12	10.25	8.25	10.75	8.88	PL120 PLA120	8.00	12.75	8.82	12.70	9.75	11.53	10.72	12.50
	306mm	261mm	156mm	155mm	260mm	210mm	273mm	226mm		203mm	324mm	224mm	323mm	248mm	293mm	272mm	318mm
AMU1426H AMU1426HF	14.05	12.27	6.13	6.11	12.25	10.25	12.75	10.88	PL142 PLA142	10.01	14.75, 14.62	10.82	14.70	11.75	13.53	12.72	14.50
	357mm	312mm	156mm	155mm	311mm	260mm	324mm	276mm		254mm	375, 371mm	275mm	373mm	298mm	344mm	323mm	368mm
AMU1648H AMU1648HF	16.05	14.27	8.14	8.09	14.25	12.25	14.75	12.88	P164 PA164	12.00	16.75	11.47	16.91	13.75	15.53	14.72	16.50
	408mm	362mm	207mm	205mm	362mm	311mm	375mm	327mm		305mm	425mm	291mm	430mm	349mm	394mm	374mm	419mm
AMU1860H AMU1860HF	18.12	16.34	10.13	10.10	16.26	14.25	16.88	14.88	P186 PA186	12.00	18.88, 18.76	13.72	19.16	15.75	17.78	16.97	18.75
	460mm	415mm	257mm	257mm	413mm	362mm	429mm	378mm		305mm	480, 477mm	348mm	487mm	400mm	452mm	431mm	476mm
AMU2060H AMU2060HF	19.87	16.09	10.14	10.09	17.81	13.81	18.44	14.44	P206 PA206	10.00	21.28	13.16	20.53	15.75	19.53	16.72	20.50
	505mm	409mm	257mm	256mm	452mm	351mm	468mm	367mm		254mm	541mm	334mm	521mm	400mm	496mm	425mm	521mm

All dimensions are in inches unless otherwise noted

"I" dimensions with multiple numbers indicate slotted holes

Enclosure base part numbers come standard with 4 separately bagged feet (ex. AMU664H)

Part numbers with "F" signify factory installed flanges (ex. AMU664HF)

Data subject to change without notice



# AMU Series

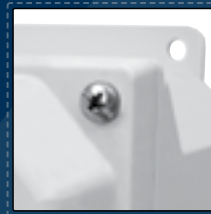
## JIC SIZE JUNCTION BOXES

### Cover Type

Viewing Window

### Closure Type

Hinged Screw Cover



## Application

Designed to insulate and protect controls and components in both indoor and outdoor applications often found in oil refineries, waste water treatment equipment, chemical plants, and many other applications

- Especially well suited for high temperature or corrosive environments
- Protects from dirt, dust, oil and water
- For use with industrial control equipment
- Clear polycarbonate viewing window, used in applications where critical electronic equipment must be visible and protected from the elements

## Standards

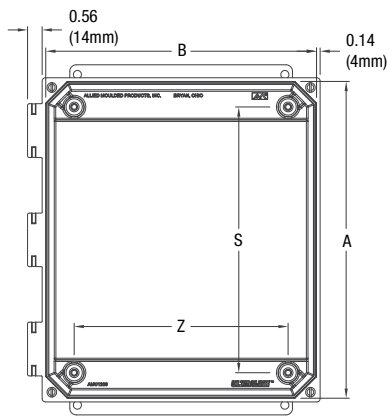
- UL 50 and UL 50E Types 1, 2, 3, 3R, 4, 4X, 12 and 13
- Complies with:
  - NEMA Types 1, 2, 3, 3R, 4, 4X, 12 and 13
  - IEC 60529 Type IP66
  - RoHS directive

## Construction

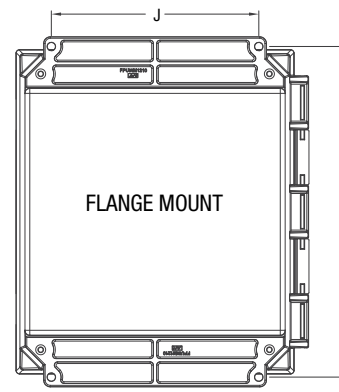
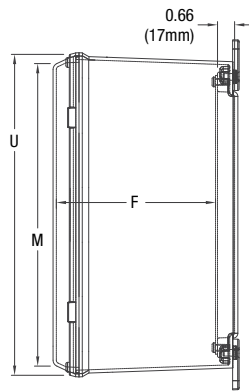
- Molded fiberglass reinforced polyester construction with flush, polycarbonate viewing window cover
- Allied Moulded ULTRAGUARD® fiberglass reinforced polyester material formulation - UV stabilized for outdoor use
- Opaque cover, base, feet, flanges — Light gray color (RAL 7035)  
Note: foot models mounting hardware supplied in a bag. Flanged models are pre-assembled
- 316 stainless steel hinge pin and captive cover screws
- Formed-In-Place (FIP) polyurethane gasket system encased in continuous channel
- Polycarbonate foot/flange mounting brackets with 316 stainless steel fasteners
- #10-32 threaded brass inserts are installed for back panel mounting

## Accessories & Modifications

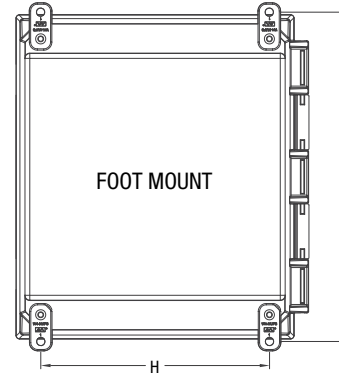
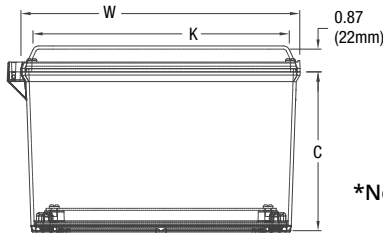
- Custom holes and cutouts
- Molded-in color matching
- EMI/RFI shielding
- Factory-supplied custom printing



Note: Cover Removed for Clarity



FLANGE MOUNT



FOOT MOUNT

\*Nom. Wall Thickness: .13 (3mm)  
16" size: .16 (4mm)  
18" & 20" sizes: .19 (5mm)

Part No.	Box Size			Usable Depth	Panel Boss Centers		Back Panel Size			Flange Mount Centers		Foot Mount Centers		Cover Size				Window Dim. (H x W)
	A	B	C		F	S	Z	Ht.	Wid.	P/N	J	I	H	L	K	M	W	
AMU664HW AMU664HWF	6.04	6.26	4.13	3.87	4.25	4.25	4.81	4.81	PL66 PLA66	4.00	6.88, 6.75	4.91	6.75	5.70	5.53	6.72	6.50	3.50 x 3.50
	153mm	159mm	105mm	98mm	108mm	108mm	122mm	122mm		102mm	175, 171mm	125mm	171mm	145mm	140mm	171mm	165mm	89mm x 89mm
AMU864HW AMU864HWF	8.06	6.28	4.13	3.88	6.25	4.25	6.75	4.88	PL86 PLA86	4.00	8.88, 8.75	4.91	8.75	5.75	7.53	6.72	8.50	5.25 x 4.00
	205mm	160mm	105mm	99mm	159mm	108mm	171mm	124mm		102mm	222, 226mm	125mm	222mm	146mm	191mm	171mm	216mm	133mm x 102mm
AMU1084HW AMU1084HWF	10.05	8.27	4.13	3.88	8.25	6.25	8.75	6.88	PL108 PLA108	6.00	10.75	6.91	10.75	7.75	9.53	8.72	10.50	6.25 x 4.25
	255mm	210mm	105mm	99mm	210mm	159mm	222mm	175mm		152mm	273mm	176mm	273mm	197mm	242mm	221mm	267mm	159mm x 108mm
AMU1086HW AMU1086HWF	10.04	8.26	6.13	5.98	8.25	6.25	8.75	6.88	PL108 PLA108	6.00	10.75	6.91	10.75	7.75	9.53	8.72	10.50	6.25 x 4.25
	255mm	210mm	156mm	152mm	210mm	159mm	222mm	175mm		152mm	273mm	175mm	273mm	197mm	242mm	221mm	267mm	159mm x 108mm
AMU1206HW AMU1206HWF	12.05	10.27	6.13	5.88	10.25	8.25	10.75	8.88	PL120 PLA120	8.00	12.75	8.82	12.70	9.75	11.53	10.72	12.50	8.38 x 6.50
	306mm	261mm	156mm	149mm	260mm	210mm	273mm	226mm		203mm	324mm	224mm	323mm	248mm	293mm	272mm	318mm	213mm x 165mm
AMU1426HW AMU1426HWF	14.05	12.27	6.13	5.88	12.25	10.25	12.75	10.88	PL142 PLA142	10.01	14.75, 14.62	10.82	14.70	11.75	13.53	12.72	14.50	10.38 x 8.51
	357mm	312mm	156mm	149mm	311mm	260mm	324mm	276mm		254mm	375, 371mm	275mm	373mm	298mm	344mm	323mm	368mm	264mm x 216mm
AMU1648HW AMU1648HWF	16.05	14.27	8.14	7.87	14.25	12.25	14.75	12.88	P164 PA164	12.00	16.75	11.47	16.91	13.75	15.53	14.72	16.50	12.38 x 10.50
	408mm	362mm	207mm	200mm	362mm	311mm	375mm	327mm		305mm	425mm	291mm	430mm	349mm	394mm	374mm	419mm	314mm x 267mm
AMU1860HW AMU1860HWF	18.12	16.34	10.13	9.88	16.26	14.26	16.88	14.88	P186 PA186	12.00	18.88, 18.76	13.72	19.16	15.75	17.78	16.97	18.75	13.00 x 11.00
	460mm	415mm	257mm	251mm	413mm	362mm	429mm	378mm		305mm	480, 477mm	348mm	487mm	400mm	452mm	431mm	476mm	330mm x 267mm
AMU2060HW AMU2060HWF	19.87	16.09	10.14	9.87	17.81	13.81	18.44	14.44	P206 PA206	10.00	21.28	13.16	20.53	15.75	19.53	16.72	20.50	14.00 x 12.00
	505mm	409mm	257mm	251mm	452mm	351mm	468mm	367mm		254mm	540mm	334mm	521mm	400mm	496mm	425mm	521mm	356mm x 305mm

All dimensions are in inches unless otherwise noted

"I" dimensions with multiple numbers indicate slotted holes

Enclosure base part numbers come standard with 4 separately bagged feet (ex. AMU664HW)

Part numbers with "F" signify factory installed flanges (ex. AMU664HWF)

Data subject to change without notice



# AMU Series

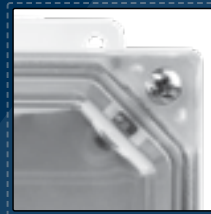
## JIC SIZE JUNCTION BOXES

### Cover Type

Clear Polycarbonate

### Closure Type

Hinged Screw Cover



## Application

Designed to insulate and protect controls and components in both indoor and outdoor applications often found in oil refineries, waste water treatment equipment, chemical plants, and many other applications

- Especially well suited for high temperature or corrosive environments
- Protects from dirt, dust, oil and water
- For use with industrial control equipment
- Clear polycarbonate instrumentation cover, used in applications where critical electronic equipment must be visible and protected from the elements

## Standards

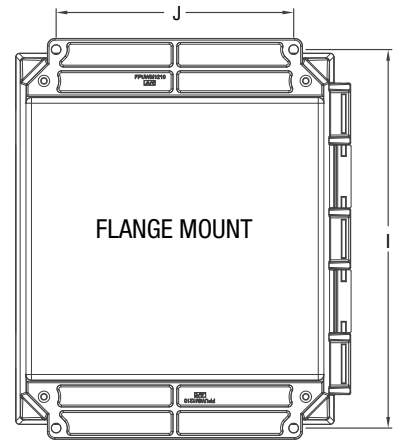
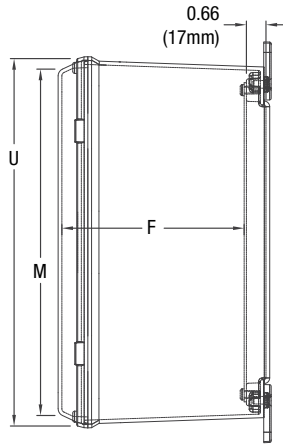
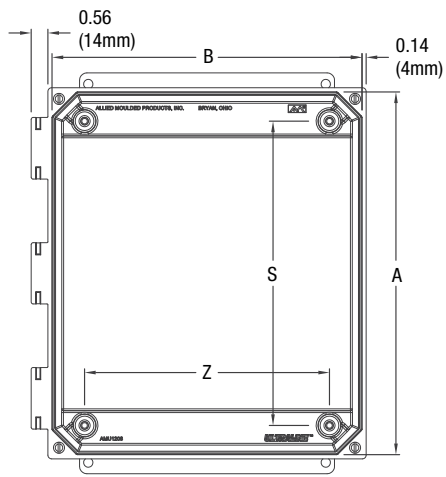
- UL 50 and UL 50E Types 1, 2, 3, 3R, 4, 4X, 12 and 13
- Complies with:
  - NEMA Types 1, 2, 3, 3R, 4, 4X, 12 and 13
  - IEC 60529 Type IP66
  - RoHS directive

## Construction

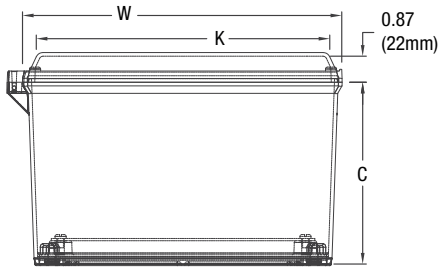
- Molded fiberglass reinforced polyester construction with flush, clear polycarbonate cover
- Allied Moulded ULTRAGUARD<sup>®</sup> fiberglass reinforced polyester material formulation - UV stabilized for outdoor use
- Enclosure base, feet, flanges — Light gray color (RAL 7035)  
Note: foot models mounting hardware supplied in a bag. Flanged models are pre-assembled
- 316 stainless steel hinge pin and captive cover screws
- Formed-In-Place (FIP) polyurethane gasket system encased in continuous channel
- Polycarbonate foot/flange mounting brackets with 316 stainless steel fasteners
- #10-32 threaded brass inserts are installed for back panel mounting

## Accessories & Modifications

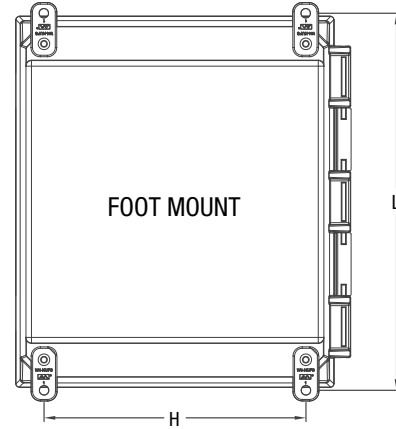
- Custom holes and cutouts
- Molded-in color matching
- EMI/RFI shielding
- Factory-supplied custom printing



Note: Cover Removed for Clarity



\*Nom. Wall Thickness: .13 (3mm)  
 16" size: .16 (4mm)  
 18" & 20" sizes: .19 (5mm)



Part No.	Box Size			Usable Depth	Panel Boss Centers		Back Panel Size			Flange Mount Centers		Foot Mount Centers		Cover Size			
	A	B	C		F	S	Z	Ht.	Wid.	P/N	J	I	H	L	K	M	W
AMU664CCH AMU664CCHF	6.04	6.26	4.12	4.09	4.25	4.25	4.81	4.81	PL66 PLA66	4.00	6.88, 6.75	4.91	6.75	5.70	5.53	6.72	6.50
	153mm	159mm	105mm	103mm	108mm	108mm	122mm	122mm		102mm	175, 171mm	125mm	171mm	145mm	140mm	171mm	165mm
AMU864CCH AMU864CCHF	8.06	6.28	4.13	4.11	6.25	4.25	6.75	4.88	PL86 PLA86	4.00	8.88, 8.75	4.91	8.75	5.75	7.53	6.72	8.50
	205mm	160mm	105mm	104mm	159mm	108mm	171mm	124mm		102mm	222, 226mm	125mm	222mm	146mm	191mm	171mm	216mm
AMU1084CCH AMU1084CCHF	10.05	8.27	4.13	4.12	8.25	6.25	8.75	6.88	PL108 PLA108	6.00	10.75	6.91	10.75	7.75	9.53	8.72	10.50
	255mm	210mm	105mm	105mm	210mm	159mm	222mm	175mm		152mm	273mm	176mm	273mm	197mm	242mm	221mm	267mm
AMU1086CCH AMU1086CCHF	10.04	8.26	6.13	6.10	8.25	6.25	8.75	6.88	PL108 PLA108	6.00	10.75	6.91	10.75	7.75	9.53	8.72	10.50
	255mm	210mm	156mm	155mm	210mm	159mm	222mm	175mm		152mm	273mm	175mm	273mm	197mm	242mm	221mm	267mm
AMU1206CCH AMU1206CCHF	12.05	10.27	6.13	6.12	10.25	8.25	10.75	8.88	PL120 PLA120	8.00	12.75	8.82	12.70	9.75	11.53	10.72	12.50
	306mm	261mm	156mm	155mm	260mm	210mm	273mm	226mm		203mm	324mm	224mm	323mm	248mm	293mm	272mm	318mm
AMU1426CCH AMU1426CCHF	14.05	12.27	6.13	6.11	12.25	10.25	12.75	10.88	PL142 PLA142	10.01	14.75, 14.62	10.82	14.70	11.75	13.53	12.72	14.50
	357mm	312mm	156mm	155mm	311mm	260mm	324mm	276mm		254mm	375, 371mm	275mm	373mm	298mm	344mm	323mm	368mm
AMU1648CCH AMU1648CCHF	16.05	14.27	8.14	8.09	14.25	12.25	14.75	12.88	P164 PA164	12.00	16.75	11.47	16.91	13.75	15.53	14.72	16.50
	408mm	362mm	207mm	205mm	362mm	311mm	375mm	327mm		305mm	425mm	291mm	430mm	349mm	394mm	374mm	419mm
AMU2060CCH AMU2060CCHF	19.87	16.09	10.14	10.09	17.81	13.81	18.44	14.44	P206 PA206	10.00	21.28	13.16	20.53	15.75	19.53	16.72	20.50
	505mm	409mm	257mm	256mm	452mm	351mm	468mm	367mm		254mm	541mm	334mm	521mm	400mm	496mm	425mm	521mm

All dimensions are in inches unless otherwise noted

Data subject to change without notice

"I" dimensions with multiple numbers indicate slotted holes

Enclosure base part numbers come standard with 4 separately bagged feet (ex. AMU664CCH)

Part numbers with "F" signify factory installed flanges (ex. AMU664CCHF)



# AMU Series

## JIC SIZE JUNCTION BOXES

### Cover Type

Solid/Opaque

### Closure Type

Snap Latch Hinged Cover



### Application

Designed to insulate and protect controls and components in both indoor and outdoor applications often found in oil refineries, waste water treatment equipment, chemical plants, and many other applications

- Especially well suited for high temperature or corrosive environments
- Protects from dirt, dust, oil and water
- For use with industrial control equipment

### Standards

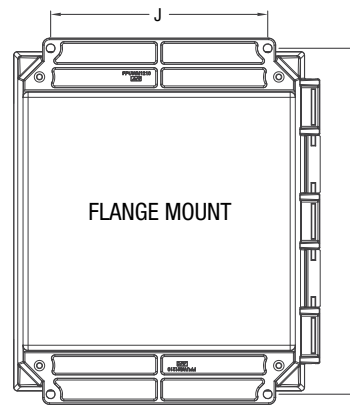
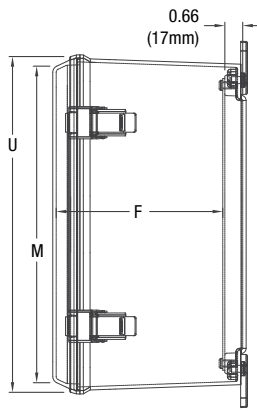
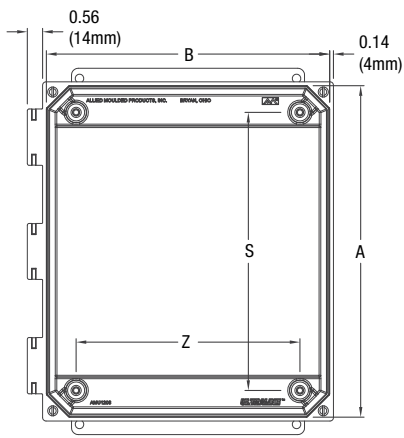
- UL 50 and UL 50E Types 1, 2, 3, 3R, 4, 4X, 12 and 13
- Complies with:
  - NEMA Types 1, 2, 3, 3R, 4, 4X, 12 and 13
  - IEC 60529 Type IP66
  - RoHS directive

### Construction

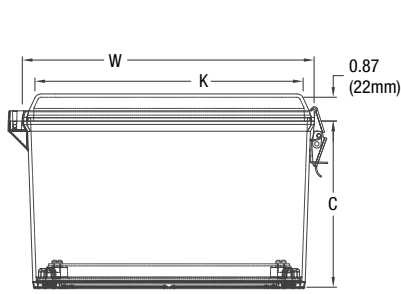
- Molded fiberglass reinforced polyester construction with flush, solid/opaque cover
- Allied Moulded ULTRAGUARD® fiberglass reinforced polyester material formulation - UV stabilized for outdoor use
- Opaque cover, base, feet, flanges — Light gray color (RAL 7035)  
Note: foot models mounting hardware supplied in a bag. Flanged models are pre-assembled
- 316 stainless steel hinge pin and snap latches with padlock hasp (.375" dia.)
- Formed-In-Place (FIP) polyurethane gasket system encased in continuous channel
- Polycarbonate foot/flange mounting brackets with 316 stainless steel fasteners
- #10-32 threaded brass inserts are installed for back panel mounting

### Accessories & Modifications

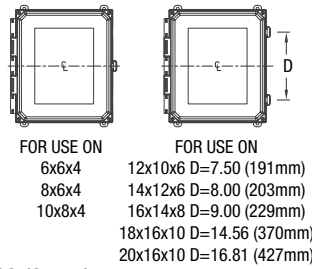
- Custom holes and cutouts
- Custom size polycarbonate viewing windows
- Molded-in color matching
- EMI/RFI shielding
- Factory-supplied custom printing



Note: Cover Removed for Clarity

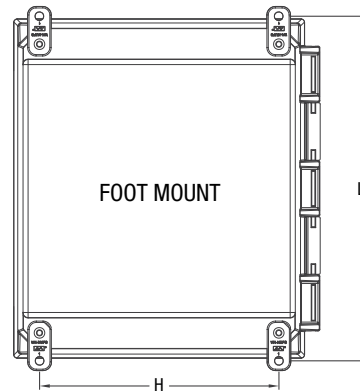


LATCH LOCATIONS



- FOR USE ON 6x6x4
- FOR USE ON 12x10x6 D=7.50 (191mm)
- 8x6x4
- 14x12x6 D=8.00 (203mm)
- 10x8x4
- 16x14x8 D=9.00 (229mm)
- 18x16x10 D=14.56 (370mm)
- 20x16x10 D=16.81 (427mm)

\*Nom. Wall Thickness: .13 (3mm)  
 16" size: .16 (4mm)  
 18" & 20" sizes: .19 (5mm)



Part No.	Box Size			Usable Depth	Panel Boss Centers		Back Panel Size			Flange Mount Centers		Foot Mount Centers		Cover Size			
	A	B	C		F	S	Z	Ht.	Wid.	P/N	J	I	H	L	K	M	W
AMU664L AMU664LF	6.04	6.26	4.12	4.09	4.25	4.25	4.81	4.81	PL66 PLA66	4.00	6.88, 6.75	4.91	6.75	5.70	5.53	6.72	6.50
	153mm	159mm	105mm	103mm	108mm	108mm	122mm	122mm		102mm	175, 171mm	125mm	171mm	145mm	140mm	171mm	165mm
AMU864L AMU864LF	8.06	6.28	4.13	4.11	6.25	4.25	6.75	4.88	PL86 PLA86	4.00	8.88, 8.75	4.91	8.75	5.75	7.53	6.72	8.50
	205mm	160mm	105mm	104mm	159mm	108mm	171mm	124mm		102mm	222, 226mm	125mm	222mm	146mm	191mm	171mm	216mm
AMU1084L AMU1084LF	10.05	8.27	4.13	4.12	8.25	6.25	8.75	6.88	PL108 PLA108	6.00	10.75	6.91	10.75	7.75	9.53	8.72	10.50
	255mm	210mm	105mm	105mm	210mm	159mm	222mm	175mm		152mm	273mm	176mm	273mm	197mm	242mm	221mm	267mm
AMU1086L AMU1086LF	10.04	8.26	6.13	6.10	8.25	6.25	8.75	6.88	PL108 PLA108	6.00	10.75	6.91	10.75	7.75	9.53	8.72	10.50
	255mm	210mm	156mm	155mm	210mm	159mm	222mm	175mm		152mm	273mm	175mm	273mm	197mm	242mm	221mm	267mm
AMU1206L AMU1206LF	12.05	10.27	6.13	6.12	10.25	8.25	10.75	8.88	PL120 PLA120	8.00	12.75	8.82	12.70	9.75	11.53	10.72	12.50
	306mm	261mm	156mm	155mm	260mm	210mm	273mm	226mm		203mm	324mm	224mm	323mm	248mm	293mm	272mm	318mm
AMU1426L AMU1426LF	14.05	12.27	6.13	6.11	12.25	10.25	12.75	10.88	PL142 PLA142	10.01	14.75, 14.62	10.82	14.70	11.75	13.53	12.72	14.50
	357mm	312mm	156mm	155mm	311mm	260mm	324mm	276mm		254mm	375, 371mm	275mm	373mm	298mm	344mm	323mm	368mm
AMU1648L AMU1648LF	16.05	14.27	8.14	8.09	14.25	12.25	14.75	12.88	P164 PA164	12.00	16.75	11.47	16.91	13.75	15.53	14.72	16.50
	408mm	362mm	207mm	205mm	362mm	311mm	375mm	327mm		305mm	425mm	291mm	430mm	349mm	394mm	374mm	419mm
AMU1860L AMU1860LF	18.12	16.34	10.13	10.10	16.26	14.25	16.88	14.88	P186 PA186	12.00	18.88, 18.76	13.72	19.16	15.75	17.78	16.97	18.75
	460mm	415mm	257mm	257mm	413mm	362mm	429mm	378mm		305mm	480, 477mm	348mm	487mm	400mm	452mm	431mm	476mm
AMU2060L AMU2060LF	19.87	16.09	10.14	10.09	17.81	13.81	18.44	14.44	P206 PA206	10.00	21.28	13.16	20.53	15.75	19.53	16.72	20.50
	505mm	409mm	257mm	256mm	452mm	351mm	468mm	367mm		254mm	541mm	334mm	521mm	400mm	496mm	425mm	521mm

All dimensions are in inches unless otherwise noted  
 "I" dimensions with multiple numbers indicate slotted holes  
 Enclosure base part numbers come standard with 4 separately bagged feet (ex. AMU664L)  
 Part numbers with "F" signify factory installed flanges (ex. AMU664LF)

Data subject to change without notice



# AMU Series

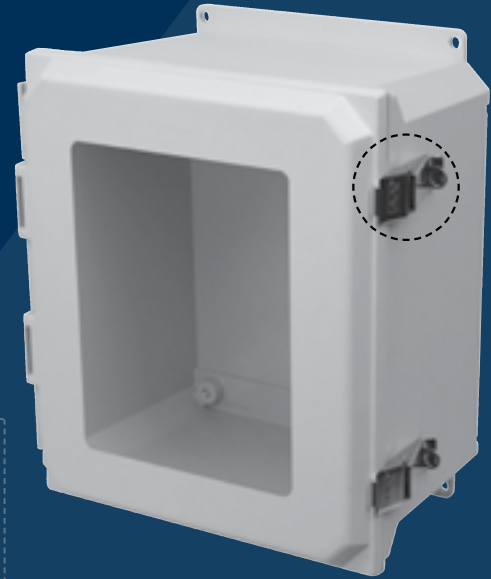
## JIC SIZE JUNCTION BOXES

### Cover Type

Viewing Window

### Closure Type

Snap Latch Hinged Cover



## Application

Designed to insulate and protect controls and components in both indoor and outdoor applications often found in oil refineries, waste water treatment equipment, chemical plants, and many other applications

- Especially well suited for high temperature or corrosive environments
- Protects from dirt, dust, oil and water
- For use with industrial control equipment
- Clear polycarbonate viewing window, used in applications where critical electronic equipment must be visible and protected from the elements

## Standards

- UL 50 and UL 50E Types 1, 2, 3, 3R, 4, 4X, 12 and 13
- Complies with:
  - NEMA Types 1, 2, 3, 3R, 4, 4X, 12 and 13
  - IEC 60529 Type IP66
  - RoHS directive

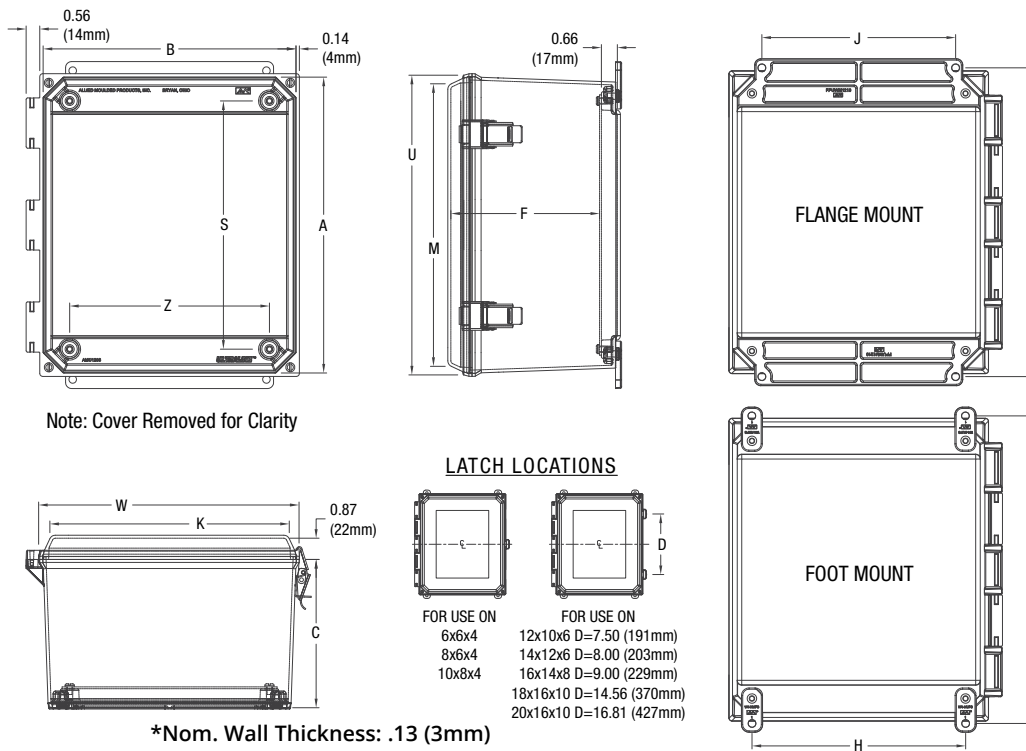
## Construction

- Molded fiberglass reinforced polyester construction with flush, polycarbonate viewing window cover
- Allied Moulded ULTRAGUARD® fiberglass reinforced polyester material formulation - UV stabilized for outdoor use
- Opaque cover, base, feet, flanges — Light gray color (RAL 7035)  
Note: foot models mounting hardware supplied in a bag. Flanged models are pre-assembled
- 316 stainless steel hinge pin and snap latches with padlock hasp (.375" dia.)
- Formed-In-Place (FIP) polyurethane gasket system encased in continuous channel
- Polycarbonate foot/flange mounting brackets with 316 stainless steel fasteners
- #10-32 threaded brass inserts are installed for back panel mounting

## Accessories & Modifications

- Custom holes and cutouts
- Molded-in color matching
- EMI/RFI shielding
- Factory-supplied custom printing





\*Nom. Wall Thickness: .13 (3mm)  
16" size: .16 (4mm)  
18" & 20" sizes: .19 (5mm)

Part No.	Box Size			Usable Depth	Panel Boss Centers		Back Panel Size			Flange Mount Centers		Foot Mount Centers		Cover Size				Window Dim. (H x W)
	A	B	C		F	S	Z	Ht.	Wid.	P/N	J	I	H	L	K	M	W	
AMU664LW AMU664LWF	6.04 153mm	6.26 159mm	4.13 105mm	3.87 98mm	4.25 108mm	4.25 108mm	4.81 122mm	4.81 122mm	PL66 PLA66	4.00 102mm	6.88, 6.75 175, 171mm	4.91 125mm	6.75 171mm	5.70 145mm	5.53 140mm	6.72 171mm	6.50 165mm	3.50 x 3.50 89mm x 89mm
AMU864LW AMU864LWF	8.06 205mm	6.28 160mm	4.13 105mm	3.88 99mm	6.25 159mm	4.25 108mm	6.75 171mm	4.88 124mm	PL86 PLA86	4.00 102mm	8.88, 8.75 222, 226mm	4.91 125mm	8.75 222mm	5.75 146mm	7.53 191mm	6.72 171mm	8.50 216mm	5.25 x 4.00 133mm x 102mm
AMU1084LW AMU1084LWF	10.05 255mm	8.27 210mm	4.13 105mm	3.88 99mm	8.25 210mm	6.25 159mm	8.75 222mm	6.88 175mm	PL108 PLA108	6.00 152mm	10.75 273mm	6.91 176mm	10.75 273mm	7.75 197mm	9.53 242mm	8.72 221mm	10.50 267mm	6.25 x 4.25 159mm x 108mm
AMU1086LW AMU1086LWF	10.04 255mm	8.26 210mm	6.13 156mm	5.98 152mm	8.25 210mm	6.25 159mm	8.75 222mm	6.88 175mm	PL108 PLA108	6.00 152mm	10.75 273mm	6.91 175mm	10.75 273mm	7.75 197mm	9.53 242mm	8.72 221mm	10.50 267mm	6.25 x 4.25 159mm x 108mm
AMU1206LW AMU1206LWF	12.05 306mm	10.27 261mm	6.13 156mm	5.88 149mm	10.25 260mm	8.25 210mm	10.75 273mm	8.88 226mm	PL120 PLA120	8.00 203mm	12.75 324mm	8.82 224mm	12.70 323mm	9.75 248mm	11.53 293mm	10.72 272mm	12.50 318mm	8.38 x 6.50 213mm x 165mm
AMU1426LW AMU1426LWF	14.05 357mm	12.27 312mm	6.13 156mm	5.88 149mm	12.25 311mm	10.25 260mm	12.75 324mm	10.88 276mm	PL142 PLA142	10.01 254mm	14.75, 14.62 375, 371mm	10.82 275mm	14.70 373mm	11.75 298mm	13.53 344mm	12.72 323mm	14.50 368mm	10.38 x 8.51 264mm x 216mm
AMU1648LW AMU1648LWF	16.05 408mm	14.27 362mm	8.14 207mm	7.87 200mm	14.25 362mm	12.25 311mm	14.75 375mm	12.88 327mm	P164 PA164	12.00 305mm	16.75 425mm	11.47 291mm	16.91 430mm	13.75 349mm	15.53 394mm	14.72 374mm	16.50 419mm	12.38 x 10.50 314mm x 267mm
AMU1860LW AMU1860LWF	18.12 460mm	16.34 415mm	10.13 257mm	9.88 251mm	16.26 413mm	14.26 362mm	16.88 429mm	14.88 378mm	P186 PA186	12.00 305mm	18.88, 18.76 480, 477mm	13.72 348mm	19.16 487mm	15.75 400mm	17.78 452mm	16.97 431mm	18.75 476mm	13.00 x 11.00 330mm x 267mm
AMU2060LW AMU2060LWF	19.87 505mm	16.09 409mm	10.14 257mm	9.87 251mm	17.81 452mm	13.81 351mm	18.44 468mm	14.44 367mm	P206 PA206	15.00 254mm	21.28 540mm	13.16 334mm	20.53 521mm	15.75 400mm	19.53 496mm	16.72 425mm	20.50 521mm	14.00 x 12.00 356mm x 305mm

All dimensions are in inches unless otherwise noted  
 "I" dimensions with multiple numbers indicate slotted holes  
 Enclosure base part numbers come standard with 4 separately bagged feet (ex. AMU664LW)  
 Part numbers with "F" signify factory installed flanges (ex. AMU664LWF)

Data subject to change without notice



MODS  
TECHNICAL  
STANDARDS  
ULTRAGUARD®  
FIBERGLASS  
AM SERIES  
AM-R  
AMHD-R  
CONTROL  
EMPIRE  
ULTRALINE®  
POLYLINE®  
ACCESSORIES  
INDEX

# AMU Series

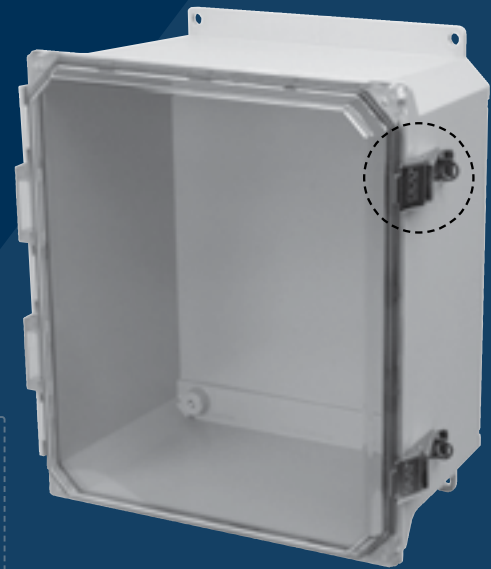
## JIC SIZE JUNCTION BOXES

### Cover Type

Clear Polycarbonate

### Closure Type

Snap Latch Hinged Cover



### Application

Designed to insulate and protect controls and components in both indoor and outdoor applications often found in oil refineries, waste water treatment equipment, chemical plants, and many other applications

- Especially well suited for high temperature or corrosive environments
- Protects from dirt, dust, oil and water
- For use with industrial control equipment
- Clear polycarbonate instrumentation cover, used in applications where critical electronic equipment must be visible and protected from the elements

### Standards

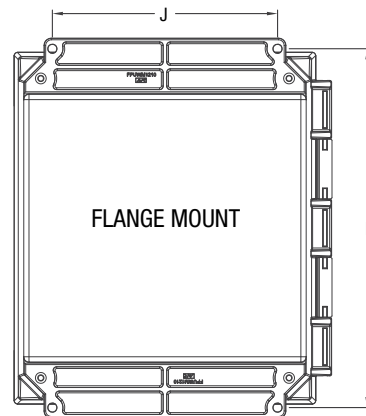
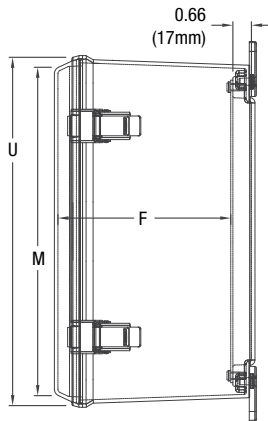
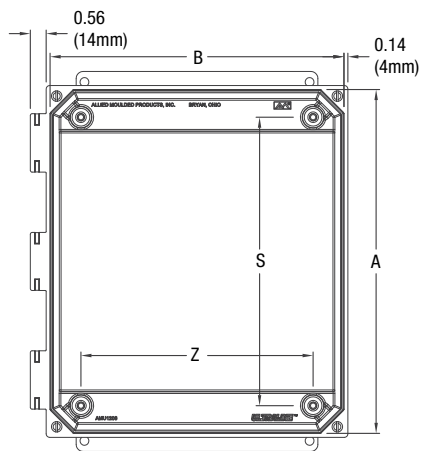
- UL 50 and UL 50E Types 1, 2, 3, 3R, 4, 4X, 12 and 13
- Complies with:
  - NEMA Types 1, 2, 3, 3R, 4, 4X, 12 and 13
  - IEC 60529 Type IP66
  - RoHS directive

### Construction

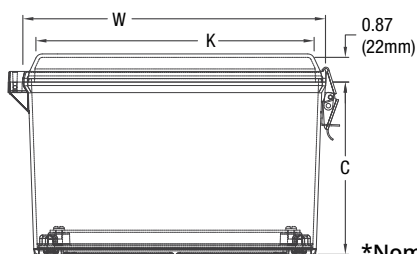
- Molded fiberglass reinforced polyester construction with flush, clear polycarbonate cover
- Allied Moulded ULTRAGUARD® fiberglass reinforced polyester material formulation - UV stabilized for outdoor use
- Enclosure base, feet, flanges — Light gray color (RAL 7035)  
Note: foot models mounting hardware supplied in a bag. Flanged models are pre-assembled
- 316 stainless steel hinge pin and snap latches with padlock hasp (.375" dia.)
- Formed-In-Place (FIP) polyurethane gasket system encased in continuous channel
- Polycarbonate foot/flange mounting brackets with 316 stainless steel fasteners
- #10-32 threaded brass inserts are installed for back panel mounting

### Accessories & Modifications

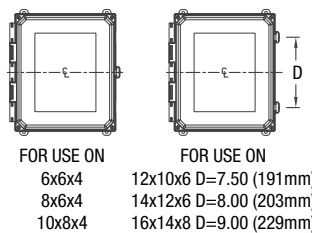
- Custom holes and cutouts
- Molded-in color matching
- EMI/RFI shielding
- Factory-supplied custom printing



Note: Cover Removed for Clarity



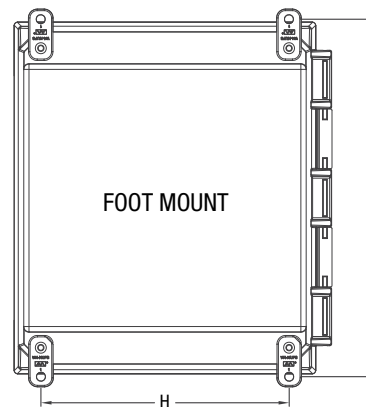
**LATCH LOCATIONS**



FOR USE ON 6x6x4  
 8x6x4  
 10x8x4

FOR USE ON 12x10x6 D=7.50 (191mm)  
 14x12x6 D=8.00 (203mm)  
 16x14x8 D=9.00 (229mm)

\*Nom. Wall Thickness: .13 (3mm)  
 16" size: .16 (4mm)  
 18" & 20" sizes: .19 (5mm)



Part No.	Box Size			Usable Depth	Panel Boss Centers		Back Panel Size			Flange Mount Centers		Foot Mount Centers		Cover Size			
	A	B	C		F	S	Z	Ht.	Wid.	P/N	J	I	H	L	K	M	W
AMU664CCL AMU664CCLF	6.04 153mm	6.26 159mm	4.12 105mm	4.09 103mm	4.25 108mm	4.25 108mm	4.81 122mm	4.81 122mm	PL66 PLA66	4.00 102mm	6.88, 6.75 175, 171mm	4.91 125mm	6.75 171mm	5.70 145mm	5.53 140mm	6.72 171mm	6.50 165mm
AMU864CCL AMU864CCLF	8.06 205mm	6.28 160mm	4.13 105mm	4.11 104mm	6.25 159mm	4.25 108mm	6.75 171mm	4.88 124mm	PL86 PLA86	4.00 102mm	8.88, 8.75 222, 226mm	4.91 125mm	8.75 222mm	5.75 146mm	7.53 191mm	6.72 171mm	8.50 216mm
AMU1084CCL AMU1084CCLF	10.05 255mm	8.27 210mm	4.13 105mm	4.12 105mm	8.25 210mm	6.25 159mm	8.75 222mm	6.88 175mm	PL108 PLA108	6.00 152mm	10.75 273mm	6.91 176mm	10.75 273mm	7.75 197mm	9.53 242mm	8.72 221mm	10.50 267mm
AMU1086CCL AMU1086CCLF	10.04 255mm	8.26 210mm	6.13 156mm	6.10 155mm	8.25 210mm	6.25 159mm	8.75 222mm	6.88 175mm	PL108 PLA108	6.00 152mm	10.75 273mm	6.91 175mm	10.75 273mm	7.75 197mm	9.53 242mm	8.72 221mm	10.50 267mm
AMU1206CCL AMU1206CCLF	12.05 306mm	10.27 261mm	6.13 156mm	6.12 155mm	10.25 260mm	8.25 210mm	10.75 273mm	8.88 226mm	PL120 PLA120	8.00 203mm	12.75 324mm	8.82 224mm	12.70 323mm	9.75 248mm	11.53 293mm	10.72 272mm	12.50 318mm
AMU1426CCL AMU1426CCLF	14.05 357mm	12.27 312mm	6.13 156mm	6.11 155mm	12.25 311mm	10.25 260mm	12.75 324mm	10.88 276mm	PL142 PLA142	10.01 254mm	14.75, 14.62 375, 371mm	10.82 275mm	14.70 373mm	11.75 298mm	13.53 344mm	12.72 323mm	14.50 368mm
AMU1648CCL AMU1648CCLF	16.05 408mm	14.27 362mm	8.14 207mm	8.09 205mm	14.25 362mm	12.25 311mm	14.75 375mm	12.88 327mm	P164 PA164	12.00 305mm	16.75 425mm	11.47 291mm	16.91 430mm	13.75 349mm	15.53 394mm	14.72 374mm	16.50 419mm
AMU2060CCL AMU2060CCLF	19.87 505mm	16.09 409mm	10.14 257mm	10.09 256mm	17.81 452mm	13.81 351mm	18.44 468mm	14.44 367mm	P206 PA206	10.00 254mm	21.28 541mm	13.16 334mm	20.53 521mm	15.75 400mm	19.53 496mm	16.72 425mm	20.50 521mm

All dimensions are in inches unless otherwise noted

"I" dimensions with multiple numbers indicate slotted holes

Enclosure base part numbers come standard with 4 separately bagged feet (ex. AMU664CCL)

Part numbers with "F" signify factory installed flanges (ex. AMU664CCLF)

Data subject to change without notice



# AMU Series

## JIC SIZE JUNCTION BOXES

### Cover Type

Solid/Opaque

### Closure Type

Nonmetal Snap Latch  
Hinged Cover



### Application

Designed to insulate and protect controls and components in both indoor and outdoor applications often found in oil refineries, waste water treatment equipment, chemical plants, and many other applications

- Especially well suited for high temperature or corrosive environments
- Protects from dirt, dust, oil and water
- For use with industrial control equipment

### Standards

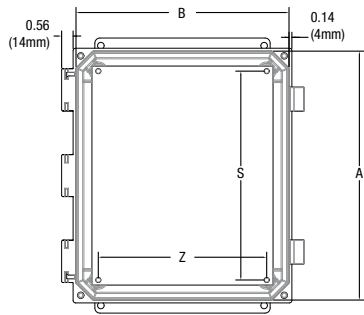
- UL 50 and UL 50E Types 1, 2, 3, 3R, 4, 4X, 12 and 13
- Complies with:
  - NEMA Types 1, 2, 3, 3R, 4, 4X, 12 and 13
  - IEC 60529 Type IP66
  - RoHS directive

### Construction

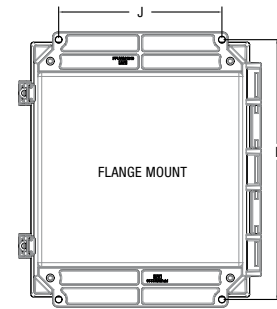
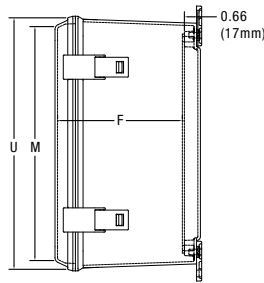
- Molded fiberglass reinforced polyester construction with flush, solid/opaque cover
- Allied Moulded ULTRAGUARD® fiberglass reinforced polyester material formulation - UV stabilized for outdoor use
- Opaque cover, base, feet, flanges — Light gray color (RAL 7035)  
Note: foot models mounting hardware supplied in a bag. Flanged models are pre-assembled
- 316 stainless steel hinge pin and polycarbonate snap latches with padlock hasp (.281" dia.)
- Formed-In-Place (FIP) polyurethane gasket system encased in continuous channel
- Polycarbonate foot/flange mounting brackets with 316 stainless steel fasteners
- #10-32 threaded brass inserts are installed for back panel mounting

### Accessories & Modifications

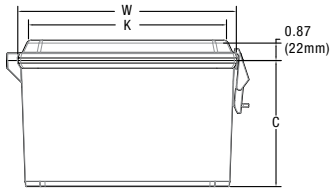
- Custom holes and cutouts
- Custom size polycarbonate viewing windows
- Molded-in color matching
- EMI/RFI shielding
- Factory-supplied custom printing



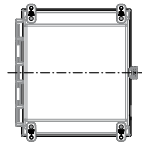
NOTE: COVER REMOVED FOR CLARITY



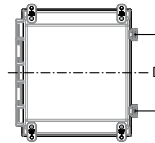
LATCH LOCATIONS



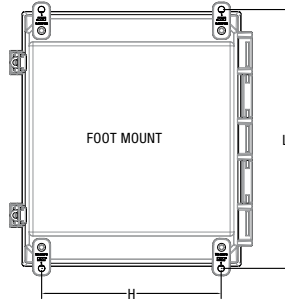
\*Nom. Wall Thickness: .13 (3mm)  
16" size: .16 (4mm)  
18" & 20" sizes: .19 (5mm)



FOR USE ON  
6x6x4  
8x6x4  
10x8x4



FOR USE ON  
12x10x6 D=7.50 (199mm)  
14x12x6 D=8.00 (203mm)  
16x14x8 D=9.00 (229mm)  
18x16x10 D=14.56 (370mm)  
20x16x10 D=16.81 (427mm)



Part No.	Box Size			Usable Depth	Panel Boss Centers		Back Panel Size			Flange Mount Centers		Foot Mount Centers		Cover Size			
	A	B	C		F	S	Z	Ht.	Wid.	P/N	J	I	H	L	K	M	W
AMU664NL AMU664NLF	6.04	6.26	4.12	4.09	4.25	4.25	4.81	4.81	PL66 PLA66	4.00	6.88, 6.75	4.91	6.75	5.70	5.53	6.72	6.50
	153mm	159mm	105mm	103mm	108mm	108mm	122mm	122mm		102mm	175, 171mm	125mm	171mm	145mm	140mm	171mm	165mm
AMU864NL AMU864NLF	8.06	6.28	4.13	4.11	6.25	4.25	6.75	4.88	PL86 PLA86	4.00	8.88, 8.75	4.91	8.75	5.75	7.53	6.72	8.50
	205mm	160mm	105mm	104mm	159mm	108mm	171mm	124mm		102mm	222, 226mm	125mm	222mm	146mm	191mm	171mm	216mm
AMU1084NL AMU1084NLF	10.05	8.27	4.13	4.12	8.25	6.25	8.75	6.88	PL108 PLA108	6.00	10.75	6.91	10.75	7.75	9.53	8.72	10.50
	255mm	210mm	105mm	105mm	210mm	159mm	222mm	175mm		152mm	273mm	176mm	273mm	197mm	242mm	221mm	267mm
AMU1086NL AMU1086NLF	10.04	8.26	6.13	6.10	8.25	6.25	8.75	6.88	PL108 PLA108	6.00	10.75	6.91	10.75	7.75	9.53	8.72	10.50
	255mm	210mm	156mm	155mm	210mm	159mm	222mm	175mm		152mm	273mm	175mm	273mm	197mm	242mm	221mm	267mm
AMU1206NL AMU1206NLF	12.05	10.27	6.13	6.12	10.25	8.25	10.75	8.88	PL120 PLA120	8.00	12.75	8.82	12.70	9.75	11.53	10.72	12.50
	306mm	261mm	156mm	155mm	260mm	210mm	273mm	226mm		203mm	324mm	224mm	323mm	248mm	293mm	272mm	318mm
AMU1426NL AMU1426NLF	14.05	12.27	6.13	6.11	12.25	10.25	12.75	10.88	PL142 PLA142	10.01	14.75, 14.62	10.82	14.70	11.75	13.53	12.72	14.50
	357mm	312mm	156mm	155mm	311mm	260mm	324mm	276mm		254mm	375, 371mm	275mm	373mm	298mm	344mm	323mm	368mm
AMU1648NL AMU1648NLF	16.05	14.27	8.14	8.09	14.25	12.25	14.75	12.88	P164 PA164	12.00	16.75	11.47	16.91	13.75	15.53	14.72	16.50
	408mm	362mm	207mm	205mm	362mm	311mm	375mm	327mm		305mm	425mm	291mm	430mm	349mm	394mm	374mm	419mm
AMU1860NL AMU1860NLF	18.12	16.34	10.13	10.10	16.26	14.25	16.88	14.88	P186 PA186	12.00	18.88, 18.76	13.72	19.16	15.75	17.78	16.97	18.75
	460mm	415mm	257mm	257mm	413mm	362mm	429mm	378mm		305mm	480, 477mm	348mm	487mm	400mm	452mm	431mm	476mm
AMU2060NL AMU2060NLF	19.87	16.09	10.14	10.09	17.81	13.81	18.44	14.44	P206 PA206	10.00	21.28	13.16	20.53	15.75	19.53	16.72	20.50
	505mm	409mm	257mm	256mm	452mm	351mm	468mm	367mm		254mm	541mm	334mm	521mm	400mm	496mm	425mm	521mm

All dimensions are in inches unless otherwise noted  
 "I" dimensions with multiple numbers indicate slotted holes  
 Enclosure base part numbers come standard with 4 separately bagged feet (ex. AMU664NL)  
 Part numbers with "F" signify factory installed flanges (ex. AMU664NLF)

Data subject to change without notice



# AMU Series

## JIC SIZE JUNCTION BOXES

### Cover Type

Viewing Window

### Closure Type

Nonmetal Snap Latch  
Hinged Cover



### Application

Designed to insulate and protect controls and components in both indoor and outdoor applications often found in oil refineries, waste water treatment equipment, chemical plants, and many other applications

- Especially well suited for high temperature or corrosive environments
- Protects from dirt, dust, oil and water
- For use with industrial control equipment
- Clear polycarbonate viewing window, used in applications where critical electronic equipment must be visible and protected from the elements

### Standards

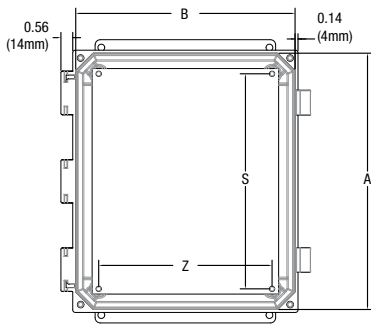
- UL 50 and UL 50E Types 1, 2, 3, 3R, 4, 4X, 12 and 13
- Complies with:
  - NEMA Types 1, 2, 3, 3R, 4, 4X, 12 and 13
  - IEC 60529 Type IP66
  - RoHS directive

### Construction

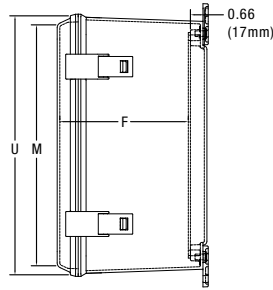
- Molded fiberglass reinforced polyester construction with flush, polycarbonate viewing window cover
- Allied Moulded ULTRAGUARD® fiberglass reinforced polyester material formulation - UV stabilized for outdoor use
- Opaque cover, base, feet, flanges — Light gray color (RAL 7035)  
Note: foot models mounting hardware supplied in a bag. Flanged models are pre-assembled
- 316 stainless steel hinge pin and polycarbonate snap latches with padlock hasp (.281" dia.)
- Formed-In-Place (FIP) polyurethane gasket system encased in continuous channel
- Polycarbonate foot/flange mounting brackets with 316 stainless steel fasteners
- #10-32 threaded brass inserts are installed for back panel mounting

### Accessories & Modifications

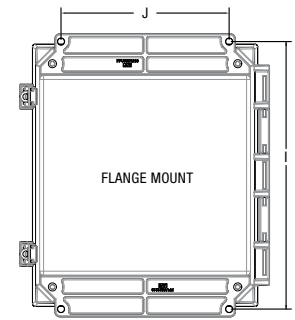
- Custom holes and cutouts
- Molded-in color matching
- EMI/RFI shielding
- Factory-supplied custom printing



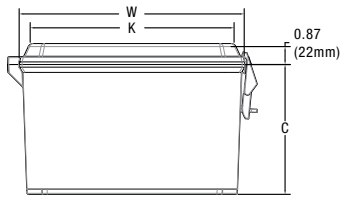
NOTE: COVER REMOVED FOR CLARITY



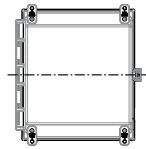
LATCH LOCATIONS



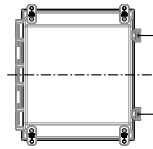
FLANGE MOUNT



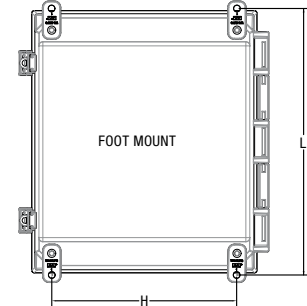
\*Nom. Wall Thickness: .13 (3mm)  
16" size: .16 (4mm)  
18" & 20" sizes: .19 (5mm)



FOR USE ON  
6x6x4  
8x6x4  
10x8x4



FOR USE ON  
12x10x6 D=7.50 (199mm)  
14x12x6 D=8.00 (203mm)  
16x14x8 D=9.00 (229mm)  
18x16x10 D=14.56 (370mm)  
20x16x10 D=16.81 (427mm)



FOOT MOUNT

Part No.	Box Size			Usable Depth	Panel Boss Centers			Back Panel Size			Flange Mount Centers		Foot Mount Centers		Cover Size				Window Dim. (H x W)
	A	B	C		F	S	Z	Ht.	Wid.	P/N	J	I	H	L	K	M	W	U	
AMU664NLW AMU664NLWF	6.04	6.26	4.13	3.87	4.25	4.25	4.81	4.81	PL66 PLA66	4.00	6.88, 6.75	4.91	6.75	5.70	5.53	6.72	6.50	3.50 x 3.50	
	153mm	159mm	105mm	98mm	108mm	108mm	122mm	122mm		102mm	175, 171mm	125mm	171mm	145mm	140mm	171mm	165mm	89mm x 89mm	
AMU864NLW AMU864NLWF	8.06	6.28	4.13	3.88	6.25	4.25	6.75	4.88	PL86 PLA86	4.00	8.88, 8.75	4.91	8.75	5.75	7.53	6.72	8.50	5.25 x 4.00	
	205mm	160mm	105mm	99mm	159mm	108mm	171mm	124mm		102mm	222, 226mm	125mm	222mm	146mm	191mm	171mm	216mm	133mm x 102mm	
AMU1084NLW AMU1084NLWF	10.05	8.27	4.13	3.88	8.25	6.25	8.75	6.88	PL108 PLA108	6.00	10.75	6.91	10.75	7.75	9.53	8.72	10.50	6.25 x 4.25	
	255mm	210mm	105mm	99mm	210mm	159mm	222mm	175mm		152mm	273mm	176mm	273mm	197mm	242mm	221mm	267mm	159mm x 108mm	
AMU1086NLW AMU1086NLWF	10.04	8.26	6.13	5.98	8.25	6.25	8.75	6.88	PL108 PLA108	6.00	10.75	6.91	10.75	7.75	9.53	8.72	10.50	6.25 x 4.25	
	255mm	210mm	156mm	152mm	210mm	159mm	222mm	175mm		152mm	273mm	175mm	273mm	197mm	242mm	221mm	267mm	159mm x 108mm	
AMU1206NLW AMU1206NLWF	12.05	10.27	6.13	5.88	10.25	8.25	10.75	8.88	PL120 PLA120	8.00	12.75	8.82	12.70	9.75	11.53	10.72	12.50	8.38 x 6.50	
	306mm	261mm	156mm	149mm	260mm	210mm	273mm	226mm		203mm	324mm	224mm	323mm	248mm	293mm	272mm	318mm	213mm x 165mm	
AMU1426NLW AMU1426NLWF	14.05	12.27	6.13	5.88	12.25	10.25	12.75	10.88	PL142 PLA142	10.01	14.75, 14.62	10.82	14.70	11.75	13.53	12.72	14.50	10.38 x 8.51	
	357mm	312mm	156mm	149mm	311mm	260mm	324mm	276mm		254mm	375, 371mm	275mm	373mm	298mm	344mm	323mm	368mm	264mm x 216mm	
AMU1648NLW AMU1648NLWF	16.05	14.27	8.14	7.87	14.25	12.25	14.75	12.88	P164 PA164	12.00	16.75	11.47	16.91	13.75	15.53	14.72	16.50	12.38 x 10.50	
	408mm	362mm	207mm	200mm	362mm	311mm	375mm	327mm		305mm	425mm	291mm	430mm	349mm	394mm	374mm	419mm	314mm x 267mm	
AMU1860NLW AMU1860NLWF	18.12	16.34	10.13	9.88	16.26	14.26	16.88	14.88	P186 PA186	12.00	18.88, 18.76	13.72	19.16	15.75	17.78	16.97	18.75	13.00 x 11.00	
	460mm	415mm	257mm	251mm	413mm	362mm	429mm	378mm		305mm	480, 477mm	348mm	487mm	400mm	452mm	431mm	476mm	330mm x 267mm	
AMU2060NLW AMU2060NLWF	19.87	16.09	10.14	9.87	17.81	13.81	18.44	14.44	P206 PA206	10.00	21.28	13.16	20.53	15.75	19.53	16.72	20.50	14.00 x 12.00	
	505mm	409mm	257mm	251mm	452mm	351mm	468mm	367mm		254mm	540mm	334mm	521mm	400mm	496mm	425mm	521mm	356mm x 305mm	

All dimensions are in inches unless otherwise noted  
 "I" dimensions with multiple numbers indicate slotted holes  
 Enclosure base part numbers come standard with 4 separately bagged feet (ex. AMU664NLW)  
 Part numbers with "F" signify factory installed flanges (ex. AMU664NLWF)

Data subject to change without notice



# AMU Series

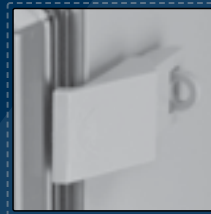
## JIC SIZE JUNCTION BOXES

### Cover Type

Clear Polycarbonate

### Closure Type

Nonmetal Snap Latch  
Hinged Cover



### Application

Designed to insulate and protect controls and components in both indoor and outdoor applications often found in oil refineries, waste water treatment equipment, chemical plants, and many other applications

- Especially well suited for high temperature or corrosive environments
- Protects from dirt, dust, oil and water
- For use with industrial control equipment
- Clear polycarbonate instrumentation cover, used in applications where critical electronic equipment must be visible and protected from the elements

### Standards

- UL 50 and UL 50E Types 1, 2, 3, 3R, 4, 4X, 12 and 13
- Complies with:
  - NEMA Types 1, 2, 3, 3R, 4, 4X, 12 and 13
  - IEC 60529 Type IP66
  - RoHS directive

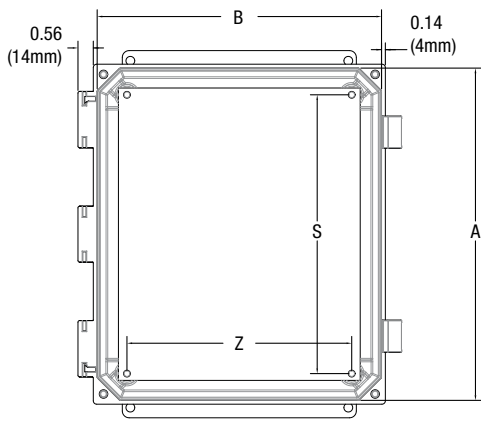
### Construction

- Molded fiberglass reinforced polyester construction with flush, clear polycarbonate cover
- Allied Moulded ULTRAGUARD<sup>®</sup> fiberglass reinforced polyester material formulation - UV stabilized for outdoor use
- Enclosure base, feet, flanges — Light gray color (RAL 7035)  
Note: foot models mounting hardware supplied in a bag. Flanged models are pre-assembled
- 316 stainless steel hinge pin and polycarbonate snap latches with padlock hasp (.281" dia.)
- Formed-In-Place (FIP) polyurethane gasket system encased in continuous channel
- Polycarbonate foot/flange mounting brackets with 316 stainless steel fasteners
- #10-32 threaded brass inserts are installed for back panel mounting

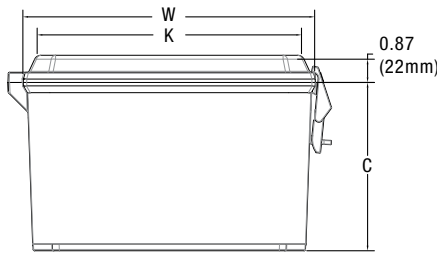
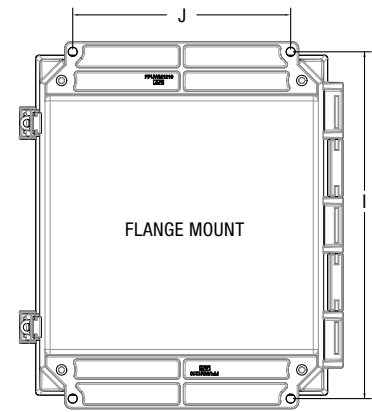
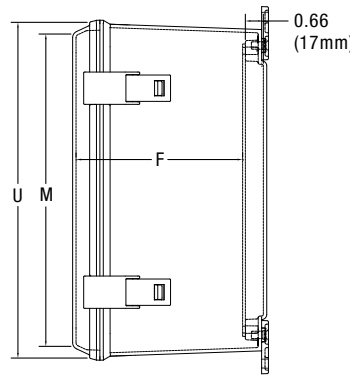
### Accessories & Modifications

- Custom holes and cutouts
- Molded-in color matching
- EMI/RFI shielding
- Factory-supplied custom printing

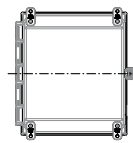




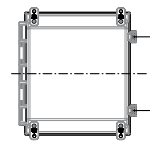
NOTE: COVER REMOVED FOR CLARITY



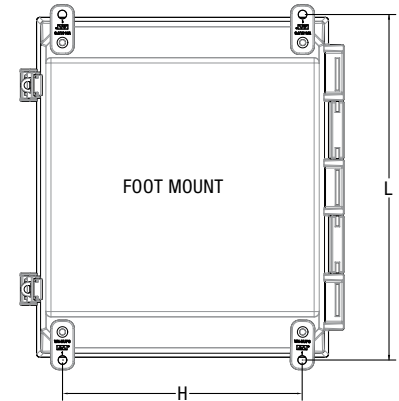
**LATCH LOCATIONS**



FOR USE ON  
6x6x4  
8x6x4  
10x8x4  
10x8x6



FOR USE ON  
12x10x6 D=7.50 (199mm)  
14x12x6 D=8.00 (203mm)  
16x14x8 D=9.00 (229mm)  
20x16x10 D=16.81 (427mm)



\*Nom. Wall Thickness: .13 (3mm)  
16" size: .16 (4mm)  
18" & 20" sizes: .19 (5mm)

Part No.	Box Size			Usable Depth	Panel Boss Centers			Back Panel Size			Flange Mount Centers		Foot Mount Centers		Cover Size			
	A	B	C		F	S	Z	Ht.	Wid.	P/N	J	I	H	L	K	M	W	U
AMU664CCNL AMU664CCNLF	6.04 153mm	6.26 159mm	4.12 105mm	4.09 103mm	4.25 108mm	4.25 108mm	4.81 122mm	4.81 122mm	PL66 PLA66	4.00 102mm	6.88, 6.75 175, 171mm	4.91 125mm	6.75 171mm	5.70 145mm	5.53 140mm	6.72 171mm	6.50 165mm	
AMU864CCNL AMU864CCNLF	8.06 205mm	6.28 160mm	4.13 105mm	4.11 104mm	6.25 159mm	4.25 108mm	6.75 171mm	4.88 124mm	PL86 PLA86	4.00 102mm	8.88, 8.75 222, 226mm	4.91 125mm	8.75 222mm	5.75 146mm	7.53 191mm	6.72 171mm	8.50 216mm	
AMU1084CCNL AMU1084CCNLF	10.05 255mm	8.27 210mm	4.13 105mm	4.12 105mm	8.25 210mm	6.25 159mm	8.75 222mm	6.88 175mm	PL108 PLA108	6.00 152mm	10.75 273mm	6.91 176mm	10.75 273mm	7.75 197mm	9.53 242mm	8.72 221mm	10.50 267mm	
AMU1086CCNL AMU1086CCNLF	10.04 255mm	8.26 210mm	6.13 156mm	6.10 155mm	8.25 210mm	6.25 159mm	8.75 222mm	6.88 175mm	PL108 PLA108	6.00 152mm	10.75 273mm	6.91 175mm	10.75 273mm	7.75 197mm	9.53 242mm	8.72 221mm	10.50 267mm	
AMU1206CCNL AMU1206CCNLF	12.05 306mm	10.27 261mm	6.13 156mm	6.12 155mm	10.25 260mm	8.25 210mm	10.75 273mm	8.88 226mm	PL120 PLA120	8.00 203mm	12.75 324mm	8.82 224mm	12.70 323mm	9.75 248mm	11.53 293mm	10.72 272mm	12.50 318mm	
AMU1426CCNL AMU1426CCNLF	14.05 357mm	12.27 312mm	6.13 156mm	6.11 155mm	12.25 311mm	10.25 260mm	12.75 324mm	10.88 276mm	PL142 PLA142	10.01 254mm	14.75, 14.62 375, 371mm	10.82 275mm	14.70 373mm	11.75 298mm	13.53 344mm	12.72 323mm	14.50 368mm	
AMU1648CCNL AMU1648CCNLF	16.05 408mm	14.27 362mm	8.14 207mm	8.09 205mm	14.25 362mm	12.25 311mm	14.75 375mm	12.88 327mm	P164 PA164	12.00 305mm	16.75 425mm	11.47 291mm	16.91 430mm	13.75 349mm	15.53 394mm	14.72 374mm	16.50 419mm	
AMU2060CCNL AMU2060CCNLF	19.87 505mm	16.09 409mm	10.14 257mm	10.09 256mm	17.81 452mm	13.81 351mm	18.44 468mm	14.44 367mm	P206 PA206	10.00 254mm	21.28 541mm	13.16 334mm	20.53 521mm	15.75 400mm	19.53 496mm	16.72 425mm	20.50 521mm	

All dimensions are in inches unless otherwise noted

"I" dimensions with multiple numbers indicate slotted holes

Enclosure base part numbers come standard with 4 separately bagged feet (ex. AMU664CCNL)

Part numbers with "F" signify factory installed flanges (ex. AMU664CCNLF)

Data subject to change without notice



# AMU Series

## JIC SIZE JUNCTION BOXES

### Cover Type

Solid/Opaque

### Closure Type

Twist Latch Hinged Cover



### Application

Designed to insulate and protect controls and components in both indoor and outdoor applications often found in oil refineries, waste water treatment equipment, chemical plants, and many other applications

- Especially well suited for high temperature or corrosive environments
- Protects from dirt, dust, oil and water
- For use with industrial control equipment

### Standards

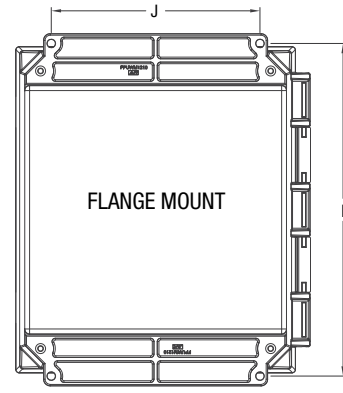
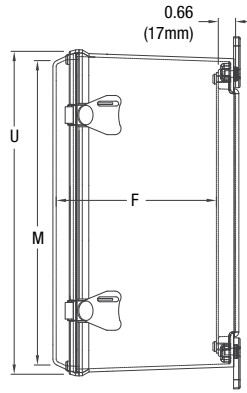
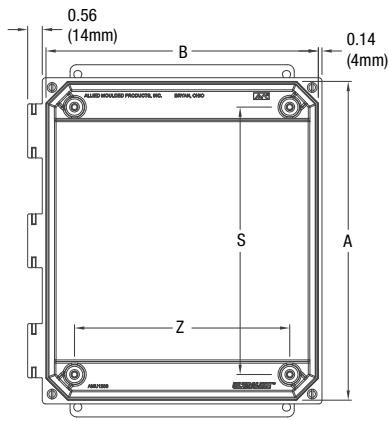
- UL 50 and UL 50E Types 1, 2, 3, 3R, 4, 4X, 12 and 13
- Complies with:
  - NEMA Types 1, 2, 3, 3R, 4, 4X, 12 and 13
  - IEC 60529 Type IP66
  - RoHS directive

### Construction

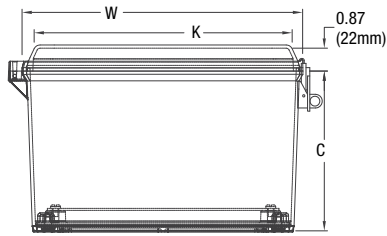
- Molded fiberglass reinforced polyester construction with flush, solid/opaque cover
- Allied Moulded ULTRAGUARD® fiberglass reinforced polyester material formulation - UV stabilized for outdoor use
- Opaque cover, base, feet, flanges — Light gray color (RAL 7035)  
Note: foot models mounting hardware supplied in a bag. Flanged models are pre-assembled
- 316 stainless steel hinge pin and twist latches with padlock hasp (.375" dia.)
- Formed-In-Place (FIP) polyurethane gasket system encased in continuous channel
- Polycarbonate foot/flange mounting brackets with 316 stainless steel fasteners
- #10-32 threaded brass inserts are installed for back panel mounting

### Accessories & Modifications

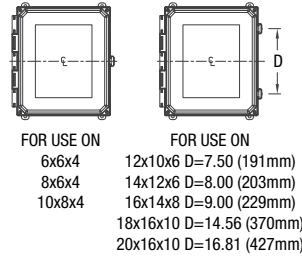
- Custom holes and cutouts
- Custom size polycarbonate viewing windows
- Molded-in color matching
- EMI/RFI shielding
- Factory-supplied custom printing



Note: Cover Removed for Clarity

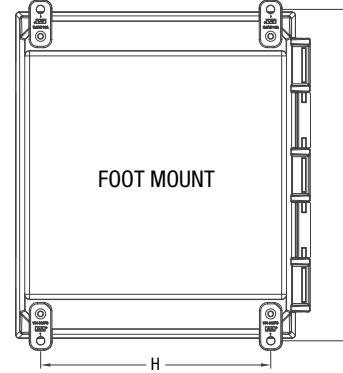


LATCH LOCATIONS



FOR USE ON  
 6x6x4  
 8x6x4  
 10x8x4

FOR USE ON  
 12x10x6 D=7.50 (191mm)  
 14x12x6 D=8.00 (203mm)  
 16x14x8 D=9.00 (229mm)  
 18x16x10 D=14.56 (370mm)  
 20x16x10 D=16.81 (427mm)



\*Nom. Wall Thickness: .13 (3mm)  
 16" size: .16 (4mm)  
 18" & 20" sizes: .19 (5mm)

Part No.	Box Size			Usable Depth	Panel Boss Centers		Back Panel Size			Flange Mount Centers		Foot Mount Centers		Cover Size			
	A	B	C		F	S	Z	Ht.	Wid.	P/N	J	I	H	L	K	M	W
AMU664T AMU664TF	6.04	6.26	4.12	4.09	4.25	4.25	4.81	4.81	PL66 PLA66	4.00	6.88, 6.75	4.91	6.75	5.70	5.53	6.72	6.50
	153mm	159mm	105mm	103mm	108mm	108mm	122mm	122mm		102mm	175, 171mm	125mm	171mm	145mm	140mm	171mm	165mm
AMU864T AMU864TF	8.06	6.28	4.13	4.11	6.25	4.25	6.75	4.88	PL86 PLA86	4.00	8.88, 8.75	4.91	8.75	5.75	7.53	6.72	8.50
	205mm	160mm	105mm	104mm	159mm	108mm	171mm	124mm		102mm	222, 226mm	125mm	222mm	146mm	191mm	171mm	216mm
AMU1084T AMU1084TF	10.05	8.27	4.13	4.12	8.25	6.25	8.75	6.88	PL108 PLA108	6.00	10.75	6.91	10.75	7.75	9.53	8.72	10.50
	255mm	210mm	105mm	105mm	210mm	159mm	222mm	175mm		152mm	273mm	176mm	273mm	197mm	242mm	221mm	267mm
AMU1086T AMU1086TF	10.04	8.26	6.13	6.10	8.25	6.25	8.75	6.88	PL108 PLA108	6.00	10.75	6.91	10.75	7.75	9.53	8.72	10.50
	255mm	210mm	156mm	155mm	210mm	159mm	222mm	175mm		152mm	273mm	175mm	273mm	197mm	242mm	221mm	267mm
AMU1206T AMU1206TF	12.05	10.27	6.13	6.12	10.25	8.25	10.75	8.88	PL120 PLA120	8.00	12.75	8.82	12.70	9.75	11.53	10.72	12.50
	306mm	261mm	156mm	155mm	260mm	210mm	273mm	226mm		203mm	324mm	224mm	323mm	248mm	293mm	272mm	318mm
AMU1426T AMU1426TF	14.05	12.27	6.13	6.11	12.25	10.25	12.75	10.88	PL142 PLA142	10.01	14.75, 14.62	10.82	14.70	11.75	13.53	12.72	14.50
	357mm	312mm	156mm	155mm	311mm	260mm	324mm	276mm		254mm	375, 371mm	275mm	373mm	298mm	344mm	323mm	368mm
AMU1648T AMU1648TF	16.05	14.27	8.14	8.09	14.25	12.25	14.75	12.88	P164 PA164	12.00	16.75	11.47	16.91	13.75	15.53	14.72	16.50
	408mm	362mm	207mm	205mm	362mm	311mm	375mm	327mm		305mm	425mm	291mm	430mm	349mm	394mm	374mm	419mm
AMU1860T AMU1860TF	18.12	16.34	10.13	10.10	16.26	14.25	16.88	14.88	P186 PA186	12.00	18.88, 18.76	13.72	19.16	15.75	17.78	16.97	18.75
	460mm	415mm	257mm	257mm	413mm	362mm	429mm	378mm		305mm	480, 477mm	348mm	487mm	400mm	452mm	431mm	476mm
AMU2060T AMU2060TF	19.87	16.09	10.14	10.09	17.81	13.81	18.44	14.44	P206 PA206	10.00	21.28	13.16	20.53	15.75	19.53	16.72	20.50
	505mm	409mm	257mm	256mm	452mm	351mm	468mm	367mm		254mm	541mm	334mm	521mm	400mm	496mm	425mm	521mm

All dimensions are in inches unless otherwise noted  
 "I" dimensions with multiple numbers indicate slotted holes  
 Enclosure base part numbers come standard with 4 separately bagged feet (ex. AMU664T)  
 Part numbers with "F" signify factory installed flanges (ex. AMU664TF)

Data subject to change without notice



# AMU Series

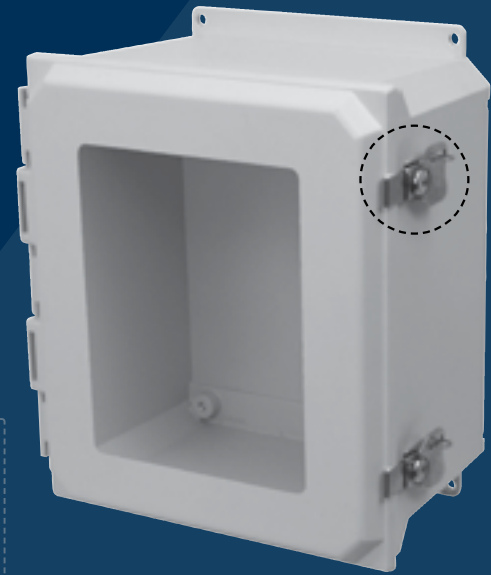
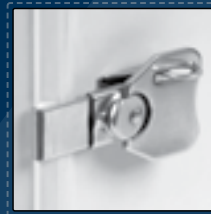
## JIC SIZE JUNCTION BOXES

### Cover Type

Viewing Window

### Closure Type

Twist Latch Hinged Cover



## Application

Designed to insulate and protect controls and components in both indoor and outdoor applications often found in oil refineries, waste water treatment equipment, chemical plants, and many other applications

- Especially well suited for high temperature or corrosive environments
- Protects from dirt, dust, oil and water
- For use with industrial control equipment
- Clear polycarbonate viewing window, used in applications where critical electronic equipment must be visible and protected from the elements

## Standards

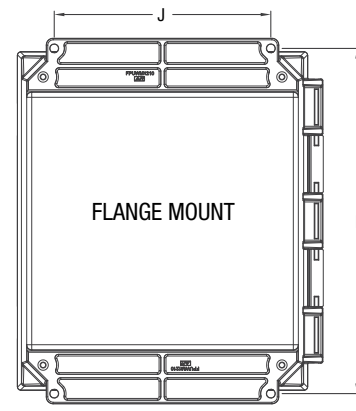
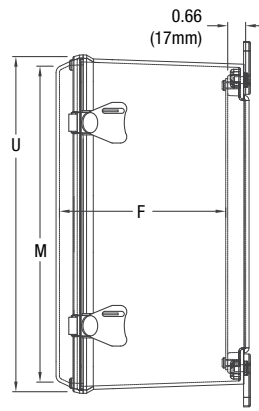
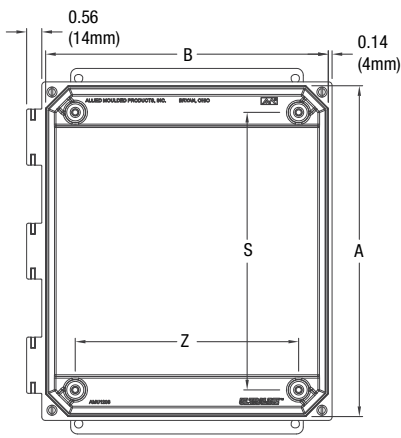
- UL 50 and UL 50E Types 1, 2, 3, 3R, 4, 4X, 12 and 13
- Complies with:
  - NEMA Types 1, 2, 3, 3R, 4, 4X, 12 and 13
  - IEC 60529 Type IP66
  - RoHS directive

## Construction

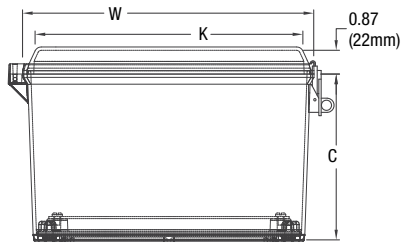
- Molded fiberglass reinforced polyester construction with flush, polycarbonate viewing window cover
- Allied Moulded ULTRAGUARD® fiberglass reinforced polyester material formulation - UV stabilized for outdoor use
- Opaque cover, base, feet, flanges — Light gray color (RAL 7035)  
Note: foot models mounting hardware supplied in a bag. Flanged models are pre-assembled
- 316 stainless steel hinge pin and twist latches with padlock hasp (.375" dia.)
- Formed-In-Place (FIP) polyurethane gasket system encased in continuous channel
- Polycarbonate foot/flange mounting brackets with 316 stainless steel fasteners
- #10-32 threaded brass inserts are installed for back panel mounting

## Accessories & Modifications

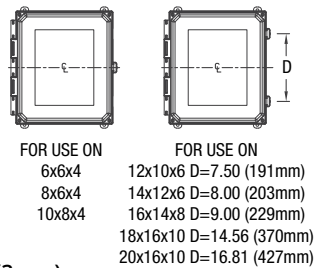
- Custom holes and cutouts
- Molded-in color matching
- EMI/RFI shielding
- Factory-supplied custom printing



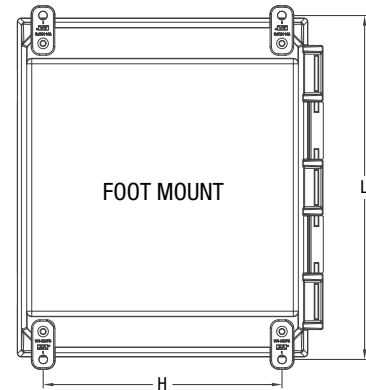
Note: Cover Removed for Clarity



LATCH LOCATIONS



\*Nom. Wall Thickness: .13 (3mm)  
16" size: .16 (4mm)  
18" & 20" sizes: .19 (5mm)



Part No.	Box Size			Usable Depth	Panel Boss Centers		Back Panel Size			Flange Mount Centers		Foot Mount Centers		Cover Size				Window Dim. (H x W)
	A	B	C		F	S	Z	Ht.	Wid.	P/N	J	I	H	L	K	M	W	
AMU664TW AMU664TWF	6.04	6.26	4.13	3.87	4.25	4.25	4.81	4.81	PL66 PLA66	4.00	6.88, 6.75	4.91	6.75	5.70	5.53	6.72	6.50	3.50 x 3.50
	153mm	159mm	105mm	98mm	108mm	108mm	122mm	122mm		102mm	175, 171mm	125mm	171mm	145mm	140mm	171mm	165mm	89mm x 89mm
AMU864TW AMU864TWF	8.06	6.28	4.13	3.88	6.25	4.25	6.75	4.88	PL86 PLA86	4.00	8.88, 8.75	4.91	8.75	5.75	7.53	6.72	8.50	5.25 x 4.00
	205mm	160mm	105mm	99mm	159mm	108mm	171mm	124mm		102mm	222, 226mm	125mm	222mm	146mm	191mm	171mm	216mm	133mm x 102mm
AMU1084TW AMU1084TWF	10.05	8.27	4.13	3.88	8.25	6.25	8.75	6.88	PL108 PLA108	6.00	10.75	6.91	10.75	7.75	9.53	8.72	10.50	6.25 x 4.25
	255mm	210mm	105mm	99mm	210mm	159mm	222mm	175mm		152mm	273mm	176mm	273mm	197mm	242mm	221mm	267mm	159mm x 108mm
AMU1086TW AMU1086TWF	10.04	8.26	6.13	5.98	8.25	6.25	8.75	6.88	PL108 PLA108	6.00	10.75	6.91	10.75	7.75	9.53	8.72	10.50	6.25 x 4.25
	255mm	210mm	156mm	152mm	210mm	159mm	222mm	175mm		152mm	273mm	175mm	273mm	197mm	242mm	221mm	267mm	159mm x 108mm
AMU1206TW AMU1206TWF	12.05	10.27	6.13	5.88	10.25	8.25	10.75	8.88	PL120 PLA120	8.00	12.75	8.82	12.70	9.75	11.53	10.72	12.50	8.38 x 6.50
	306mm	261mm	156mm	149mm	260mm	210mm	273mm	226mm		203mm	324mm	224mm	323mm	248mm	293mm	272mm	318mm	213mm x 165mm
AMU1426TW AMU1426TWF	14.05	12.27	6.13	5.88	12.25	10.25	12.75	10.88	PL142 PLA142	10.01	14.75, 14.62	10.82	14.70	11.75	13.53	12.72	14.50	10.38 x 8.51
	357mm	312mm	156mm	149mm	311mm	260mm	324mm	276mm		254mm	375, 371mm	275mm	373mm	298mm	344mm	323mm	368mm	264mm x 216mm
AMU1648TW AMU1648TWF	16.05	14.27	8.14	7.87	14.25	12.25	14.75	12.88	P164 PA164	12.00	16.75	11.47	16.91	13.75	15.53	14.72	16.50	12.38 x 10.50
	408mm	362mm	207mm	200mm	362mm	311mm	375mm	327mm		305mm	425mm	291mm	430mm	349mm	394mm	374mm	419mm	314mm x 267mm
AMU1860TW AMU1860TWF	18.12	16.34	10.13	9.88	16.26	14.26	16.88	14.88	P186 PA186	12.00	18.88, 18.76	13.72	19.16	15.75	17.78	16.97	18.75	13.00 x 11.00
	460mm	415mm	257mm	251mm	413mm	362mm	429mm	378mm		305mm	480, 477mm	348mm	487mm	400mm	452mm	431mm	476mm	330mm x 267mm
AMU2060TW AMU2060TWF	19.87	16.09	10.14	9.87	17.81	13.81	18.44	14.44	P206 PA206	10.00	21.28	13.16	20.53	15.75	19.53	16.72	20.50	14.00 x 12.00
	505mm	409mm	257mm	251mm	452mm	351mm	468mm	367mm		254mm	540mm	334mm	521mm	400mm	496mm	425mm	521mm	356mm x 305mm

All dimensions are in inches unless otherwise noted  
 "I" dimensions with multiple numbers indicate slotted holes  
 Enclosure base part numbers come standard with 4 separately bagged feet (ex. AMU664TW)  
 Part numbers with "F" signify factory installed flanges (ex. AMU664TWF)

Data subject to change without notice



# AMU Series

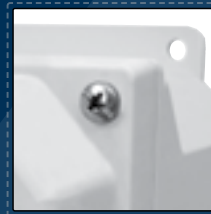
## JIC SIZE JUNCTION BOXES

### Cover Type

Clear Polycarbonate

### Closure Type

Twist Latch Hinged Cover



### Application

Designed to insulate and protect controls and components in both indoor and outdoor applications often found in oil refineries, waste water treatment equipment, chemical plants, and many other applications

- Especially well suited for high temperature or corrosive environments
- Protects from dirt, dust, oil and water
- For use with industrial control equipment
- Clear polycarbonate instrumentation cover, used in applications where critical electronic equipment must be visible and protected from the elements

### Standards

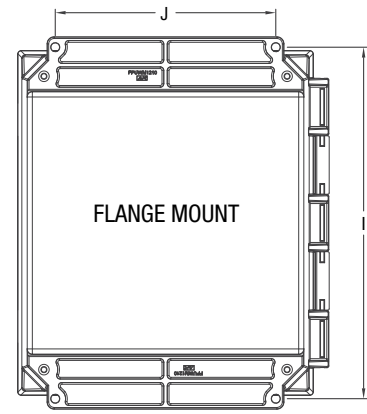
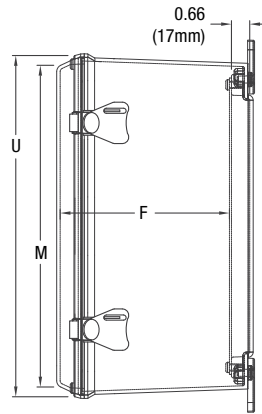
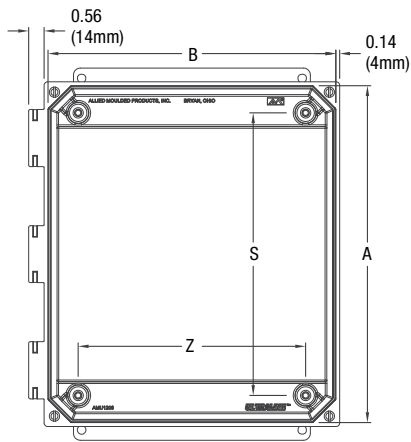
- UL 50 and UL 50E Types 1, 2, 3, 3R, 4, 4X, 12 and 13
- Complies with:
  - NEMA Types 1, 2, 3, 3R, 4, 4X, 12 and 13
  - IEC 60529 Type IP66
  - RoHS directive

### Construction

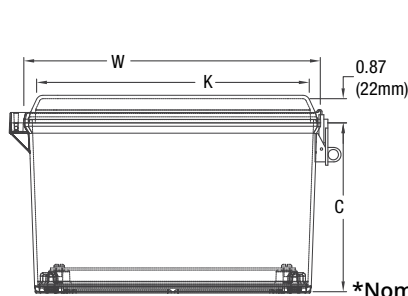
- Molded fiberglass reinforced polyester construction with flush, clear polycarbonate cover
- Allied Moulded ULTRAGUARD® fiberglass reinforced polyester material formulation - UV stabilized for outdoor use
- Enclosure base, feet, flanges — Light gray color (RAL 7035)  
Note: foot models mounting hardware supplied in a bag. Flanged models are pre-assembled
- 316 stainless steel hinge pin and twist latches with padlock hasp (.375" dia.)
- Formed-In-Place (FIP) polyurethane gasket system encased in continuous channel
- Polycarbonate foot/flange mounting brackets with 316 stainless steel fasteners
- #10-32 threaded brass inserts are installed for back panel mounting

### Accessories & Modifications

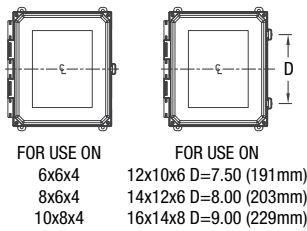
- Custom holes and cutouts
- Molded-in color matching
- EMI/RFI shielding
- Factory-supplied custom printing



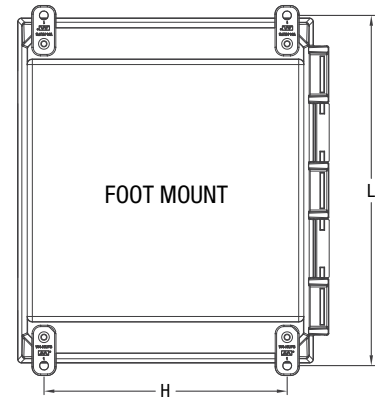
Note: Cover Removed for Clarity



LATCH LOCATIONS



\*Nom. Wall Thickness: .13 (3mm)  
16" size: .16 (4mm)  
18" & 20" sizes: .19 (5mm)



Part No.	Box Size			Usable Depth	Panel Boss Centers			Back Panel Size			Flange Mount Centers		Foot Mount Centers		Cover Size			
	A	B	C		F	S	Z	Ht.	Wid.	P/N	J	I	H	L	K	M	W	U
AMU664CCT AMU664CCTF	6.04	6.26	4.12	4.09	4.25	4.25	4.81	4.81	PL66 PLA66	4.00	6.88, 6.75	4.91	6.75	5.70	5.53	6.72	6.50	
	153mm	159mm	105mm	103mm	108mm	108mm	122mm	122mm		102mm	175, 171mm	125mm	171mm	145mm	140mm	171mm	165mm	
AMU864CCT AMU864CCTF	8.06	6.28	4.13	4.11	6.25	4.25	6.75	4.88	PL86 PLA86	4.00	8.88, 8.75	4.91	8.75	5.75	7.53	6.72	8.50	
	205mm	160mm	105mm	104mm	159mm	108mm	171mm	124mm		102mm	222, 226mm	125mm	222mm	146mm	191mm	171mm	216mm	
AMU1084CCT AMU1084CCTF	10.05	8.27	4.13	4.12	8.25	6.25	8.75	6.88	PL108 PLA108	6.00	10.75	6.91	10.75	7.75	9.53	8.72	10.50	
	255mm	210mm	105mm	105mm	210mm	159mm	222mm	175mm		152mm	273mm	176mm	273mm	197mm	242mm	221mm	267mm	
AMU1086CCT AMU1086CCTF	10.04	8.26	6.13	6.10	8.25	6.25	8.75	6.88	PL108 PLA108	6.00	10.75	6.91	10.75	7.75	9.53	8.72	10.50	
	255mm	210mm	156mm	155mm	210mm	159mm	222mm	175mm		152mm	273mm	175mm	273mm	197mm	242mm	221mm	267mm	
AMU1206CCT AMU1206CCTF	12.05	10.27	6.13	6.12	10.25	8.25	10.75	8.88	PL120 PLA120	8.00	12.75	8.82	12.70	9.75	11.53	10.72	12.50	
	306mm	261mm	156mm	155mm	260mm	210mm	273mm	226mm		203mm	324mm	224mm	323mm	248mm	293mm	272mm	318mm	
AMU1426CCT AMU1426CCTF	14.05	12.27	6.13	6.11	12.25	10.25	12.75	10.88	PL142 PLA142	10.01	14.75, 14.62	10.82	14.70	11.75	13.53	12.72	14.50	
	357mm	312mm	156mm	155mm	311mm	260mm	324mm	276mm		254mm	375, 371mm	275mm	373mm	298mm	344mm	323mm	368mm	
AMU1648CCT AMU1648CCTF	16.05	14.27	8.14	8.09	14.25	12.25	14.75	12.88	P164 PA164	12.00	16.75	11.47	16.91	13.75	15.53	14.72	16.50	
	408mm	362mm	207mm	205mm	362mm	311mm	375mm	327mm		305mm	425mm	291mm	430mm	349mm	394mm	374mm	419mm	
AMU2060CCT AMU2060CCTF	19.87	16.09	10.14	10.09	17.81	13.81	18.44	14.44	P206 PA206	10.00	21.28	13.16	20.53	15.75	19.53	16.72	20.50	
	505mm	409mm	257mm	256mm	452mm	351mm	468mm	367mm		254mm	541mm	334mm	521mm	400mm	496mm	425mm	521mm	

All dimensions are in inches unless otherwise noted

"I" dimensions with multiple numbers indicate slotted holes

Enclosure base part numbers come standard with 4 separately bagged feet (ex. AMU664CCTF)

Part numbers with "F" signify factory installed flanges (ex. AMU664CCTF)

Data subject to change without notice





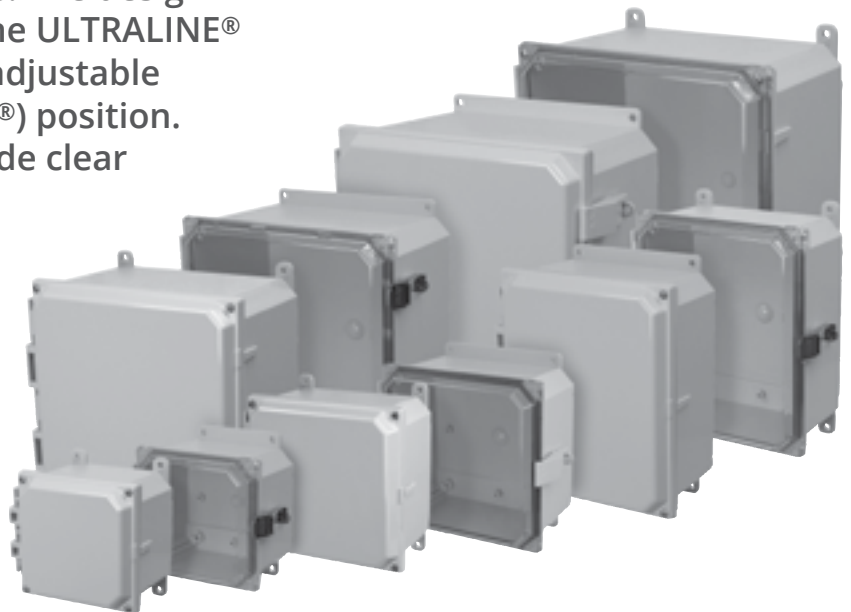
POLYLINE® SERIES

# POLYCARBONATE



U.S. Pat. No. 7,572,975

The AMP polycarbonate series was developed primarily for general purpose industrial applications as an alternative to steel enclosures. The design of this product group is similar to the ULTRALINE® series and includes a provision for adjustable HFPP (hinged front panel POLYLINE®) position. Additional POLYLINE® options include clear covers, nonmetallic snap latches, and patented multi-mounting capabilities. Available sizes include 6" x 6" x 4" (152mm x 152mm x 102mm) up through 20" x 16" x 10" (508mm x 406mm x 254mm).



Scan to learn more





## AMP Series Features & Benefits

- Engineering grade thermoplastic-injection molded polycarbonate
- Cover to base design - flush, aesthetically pleasing and more modern architecture
- Patented (US Pat. No. 7,572,975) multi-mounting capability
  - Out-of-the-box polycarbonate flange design (factory installed)
  - Optional polycarbonate foot mount brackets for multi-directional mounting (vertical or horizontal positioning)
  - 316 stainless steel foot/flange mounting screws
- Solid opaque or clear polycarbonate cover options
- Partial molded hinges, providing a secure cover-to-base closure with no wall penetrations
- Formed-In-Place (FIP) polyurethane gasket system
- Mounting panel inserts for optional back panel
- UV stabilized for outdoor use

## AMP Series Specifications

- Non-corrosive
- Non-conductive
- Standard RAL 7035 light gray color
- Temperature-resistant
- Fire-resistant
- Rated NEMA 1, 2, 3, 3R, 4, 4X, 12 and 13
- UL® listed
- Compliant with RoHS directive

## Accessories

- Optional hinged front panels
- ULTRAPLUG® hole plugs
- Pole mount kits
- HMI cover kits
- Inspection windows

## Modifications

We are pleased to modify any of our standard products to fit your needs with:

- Custom holes and cutouts
- EMI/RFI shielding
- Factory-supplied custom printing

*For complete details on factory modifications including a modification request form, see pages 1-3.*

[www.alliedmoulded.com](http://www.alliedmoulded.com)

MODS

TECHNICAL

STANDARDS

ULTRAGUARD®

FIBERGLASS

AM SERIES

AM-R

AMHD-R

CONTROL

EMPIRE

ULTRALINE®

POLYLINE®

ACCESSORIES

INDEX

# AMP Series

## JIC SIZE JUNCTION BOXES

### Cover Type

Solid/Opaque

### Closure Type

Lift-Off Screw Cover



### Application

Designed to insulate and protect controls and components in both indoor and outdoor applications often found in industrial control panels, pump controls/ waste water treatment, irrigation/water control, solar/wind, and chemical plants

- Light weight, impact resistant and good corrosion resistance for many industrial enclosure applications and a great alternative to metallic enclosures
- Protects from dirt, dust, and water

### Standards

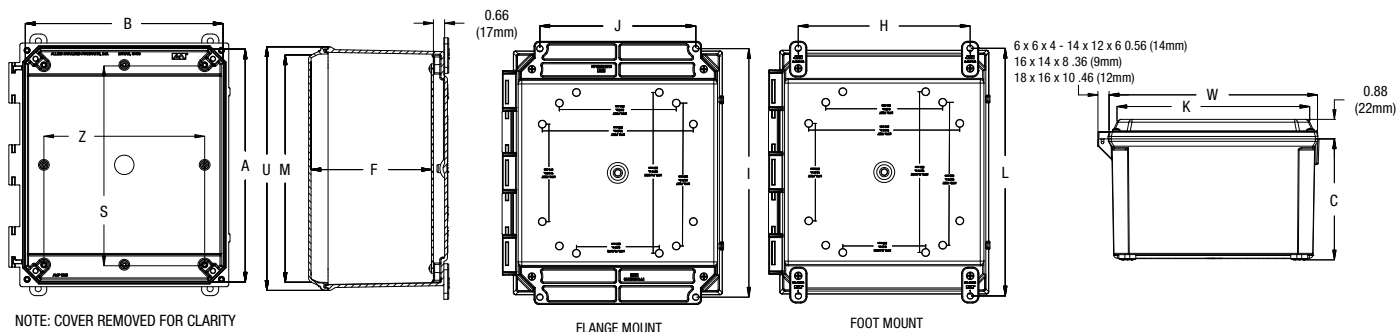
- UL 50 and UL 50E Types 1, 2, 3, 3R, 4, 4X, (6P for sizes 6"x6" up through 14"x12"), 12 and 13
- Complies with:
  - NEMA Types 1, 2, 3, 3R, 4, 4X, (6P for sizes 6"x6" up through 14"x12"), 12 and 13
  - IEC 60529 Type IP68 submersible up to 24 hours at a depth of 6 feet (1.8 meters)
  - RoHS directive

### Construction

- Injection molded polycarbonate thermoplastic construction with flush, solid/opaque cover
- Opaque cover, base, feet, flanges — Light gray color (RAL 7035)  
Note: foot models mounting hardware supplied in a bag. Flanged models are pre-assembled
- 316 stainless steel captive cover screws
- Formed-In-Place (FIP) polyurethane gasket system encased in continuous channel
- 316 stainless steel foot/flange mounting hardware
- Polycarbonate hinge clips (16" & 18" sizes)
- Molded-in hinge bosses removed for 6"x6", 8"x6", and 8"x8" enclosure sizes
- #10-32 threaded brass inserts are installed for back panel mounting

### Accessories & Modifications

- Custom holes and cutouts
- Optional foot/flange mounting hardware
- DIN rail mounting available with molded-in bosses using #10 sheet metal screws
- Factory-supplied custom printing



NOTE: COVER REMOVED FOR CLARITY

FLANGE MOUNT

FOOT MOUNT

\*Nom. Wall Thickness: .14 (4mm)  
 14" thru 18" sizes: .19 (5mm)  
 20" size: .24 (6mm)

Part No.	Box Size			Usable Depth	Panel Boss Centers		Back Panel Size			Flange Mount Centers		Foot Mount Centers		Cover Size			
	A	B	C		F	S	Z	Ht.	Wid.	P/N	J	I	H	L	K	M	W
AMP443 AMP443F	3.95	3.95	3.75	3.08	3.00	3.00	3.56	3.56	PL44 PLA44	N/A	N/A	2.63	4.69	4.43	4.43	4.63	4.63
	100mm	100mm	95mm	78mm	76mm	76mm	90mm	90mm				67mm	119mm	113mm	113mm	117mm	117mm
AMP664 AMP664F	6.03	6.26	4.08	4.06	4.25	4.25	4.81	4.81	PL66 PLA66	4.00	6.88, 6.75	4.91	6.75	5.67	5.45	6.72	6.50
	153mm	159mm	104mm	103mm	108mm	108mm	122mm	122mm		102mm	175, 171mm	125mm	171mm	144mm	139mm	171mm	165mm
AMP864 AMP864F	7.94	6.16	4.08	4.06	6.25	4.25	6.75	4.88	PL86 PLA86	4.00	8.88, 8.75	4.91	8.75	5.67	7.45	6.72	8.50
	202mm	156mm	104mm	103mm	159mm	108mm	171mm	124mm		102mm	226, 222mm	125mm	222mm	144mm	189mm	171mm	216mm
AMP884 AMP884F	7.94	8.16	4.08	4.06	6.25	6.25	6.75	6.88	PL88 PLA88	6.00	8.75	6.91	8.75	7.67	7.45	8.72	8.50
	202mm	207mm	104mm	103mm	159mm	159mm	171mm	175mm		152mm	222mm	175mm	222mm	195mm	189mm	221mm	216mm
AMP1082 AMP1082F	9.93	8.15	2.70	2.68	8.25	6.25	8.75	6.88	PL108 PLA108	6.00	10.75	6.91	10.75	7.75	9.67	8.72	10.50
	252mm	207mm	69mm	68mm	210mm	159mm	222mm	175mm		152mm	273mm	175mm	273mm	197mm	246mm	221mm	267mm
AMP1084 AMP1084F	9.93	8.15	4.08	4.06	8.25	6.25	8.75	6.88	PL108 PLA108	6.00	10.75	6.91	10.75	7.75	9.67	8.72	10.50
	252mm	207mm	104mm	103mm	210mm	159mm	222mm	175mm		152mm	273mm	175mm	273mm	197mm	246mm	221mm	267mm
AMP1086 AMP1086F	9.90	8.12	5.94	6.06	8.25	6.25	8.75	6.88	PL108 PLA108	6.00	10.75	6.91	10.75	7.75	9.67	8.72	10.50
	255mm	206mm	151mm	154mm	210mm	159mm	222mm	175mm		152mm	273mm	175mm	273mm	197mm	246mm	221mm	267mm
AMP1204 AMP1204F	11.93	10.15	4.08	4.16	10.25	8.25	10.75	8.88	PL120 PLA120	8.00	12.75	8.82	12.70	9.75	11.53	10.72	12.50
	303mm	258mm	104mm	106mm	260mm	210mm	273mm	225mm		203mm	324mm	224mm	323mm	248mm	293mm	272mm	318mm
AMP1206 AMP1206F	11.93	10.15	6.08	6.06	10.25	8.25	10.75	8.88	PL120 PLA120	8.00	12.75	8.82	12.70	9.75	11.53	10.72	12.50
	303mm	258mm	154mm	154mm	260mm	210mm	273mm	225mm		203mm	324mm	224mm	323mm	248mm	293mm	272mm	318mm
AMP1226 AMP1226F	12.15	12.15	6.13	5.99	10.19	10.06	10.75	10.75	PL122 PLA122	10.01	12.97, 12.84	10.82	12.92	11.35	11.35	12.72	12.72
	309mm	309mm	156mm	152mm	259mm	256mm	273mm	273mm		254mm	329mm, 326mm	275mm	328mm	288mm	288mm	323mm	323mm
AMP1426 AMP1426F	13.85	12.07	6.13	5.99	12.25	10.25	12.75	10.88	PL142 PLA142	10.01	14.75, 14.62	10.82	14.70	11.75	13.53	12.72	14.50
	352mm	307mm	156mm	152mm	311mm	260mm	324mm	276mm		254mm	375, 371mm	275mm	373mm	298mm	344mm	323mm	368mm
AMP1648 AMP1648F	15.98	13.98	8.00	8.27	14.25	12.25	14.75	12.88	P164 PA164	12.00	17.75	11.47	17.91	13.56	15.74	15.04	17.23
	406mm	355mm	203mm	210mm	362mm	311mm	375mm	327mm		305mm	451mm	291mm	455mm	344mm	400mm	382mm	438mm
AMP1860 AMP1860F	18.04	16.04	10.00	10.27	16.22	14.25	16.88	14.88	P186 PA186	12.00	19.63, 19.51	13.72	19.91	15.56	17.74	17.10	19.28
	458mm	407mm	254mm	261mm	412mm	362mm	429mm	378mm		305mm	499, 496mm	349mm	506mm	395mm	451mm	434mm	490mm
AMP2060 AMP2060F	19.76	15.98	10.13	9.96	17.81	13.81	18.44	14.44	PL206 PLA206	10.00	21.28	13.16	20.53	15.43	19.21	16.72	20.50
	502mm	406mm	257mm	253mm	452mm	351mm	468mm	367mm		254mm	541mm	334mm	521mm	392mm	488mm	425mm	521mm

All dimensions are in inches unless otherwise noted

"I" dimensions with multiple numbers indicate slotted holes

All sizes 6" x 6" x 4" up through 14" x 12" x 6" are rated 6P (IP68)

Enclosure base part numbers come standard with 4 separately bagged feet (ex. AMP664)

Part numbers with "F" signify factory installed flanges (ex. AMP664F)

Data subject to change without notice



# AMP Series

## JIC SIZE JUNCTION BOXES

### Cover Type

Clear Polycarbonate

### Closure Type

Lift-Off Screw Cover



### Application

Designed to insulate and protect controls and components in both indoor and outdoor applications often found in industrial control panels, pump controls/ waste water treatment, irrigation/water control, solar/wind, and chemical plants

- Light weight, impact resistant and good corrosion resistance for many industrial enclosure applications and a great alternative to metallic enclosures
- Protects from dirt, dust, and water
- Clear polycarbonate instrumentation cover, used in applications where critical electronic equipment must be visible and protected from the elements

### Standards

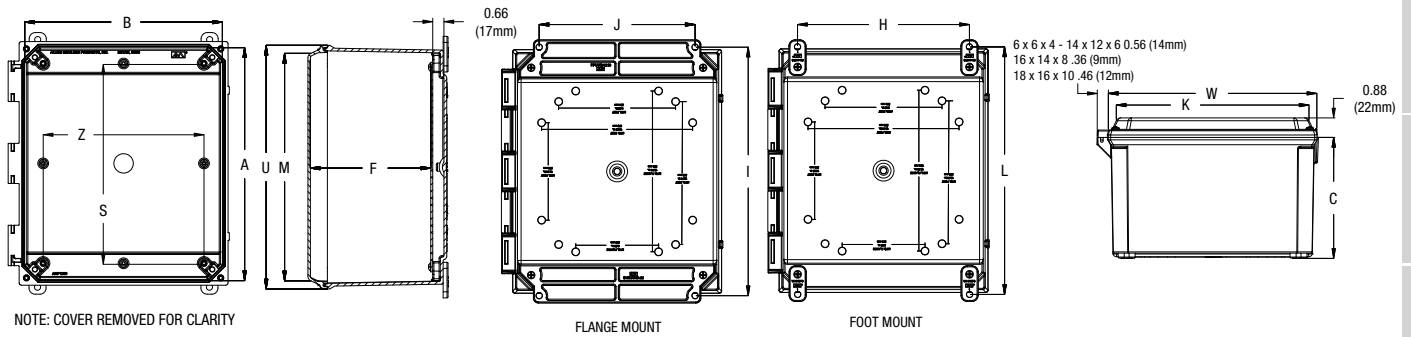
- UL 50 and UL 50E Types 1, 2, 3, 3R, 4, 4X, (6P for sizes 6"x6" up through 14"x12"), 12 and 13
- Complies with:
  - NEMA Types 1, 2, 3, 3R, 4, 4X, (6P for sizes 6"x6" up through 14"x12"), 12 and 13
  - IEC 60529 Type IP68 submersible up to 24 hours at a depth of 6 feet (1.8 meters)
  - RoHS directive

### Construction

- Injection molded polycarbonate thermoplastic construction with flush, clear polycarbonate cover
- Enclosure base, feet, flanges — Light gray color (RAL 7035)  
Note: foot models mounting hardware supplied in a bag. Flanged models are pre-assembled
- 316 stainless steel captive cover screws
- Formed-In-Place (FIP) polyurethane gasket system encased in continuous channel
- 316 stainless steel foot/flange mounting hardware
- Polycarbonate hinge clips (16" & 18" sizes)
- Molded-in hinge bosses removed for 6"x6", 8"x6", and 8"x8" enclosure sizes
- #10-32 threaded brass inserts are installed for back panel mounting

### Accessories & Modifications

- Custom holes and cutouts
- Optional foot/flange mounting hardware
- DIN rail mounting available with molded-in bosses using #10 sheet metal screws
- Factory-supplied custom printing



NOTE: COVER REMOVED FOR CLARITY

\*Nom. Wall Thickness: .14 (4mm)  
 14" thru 18" sizes: .19 (5mm)  
 20" size: .24 (6mm)

Part No.	Box Size			Usable Depth	Panel Boss Centers		Back Panel Size			Flange Mount Centers		Foot Mount Centers		Cover Size			
	A	B	C		F	S	Z	Ht.	Wid.	P/N	J	I	H	L	K	M	W
AMP443CC AMP443CCF	3.95	3.95	3.75	3.08	3.00	3.00	3.56	3.56	PL44 PLA44	N/A	N/A	2.63	4.69	4.43	4.43	4.63	4.63
	100mm	100mm	95mm	78mm	76mm	76mm	90mm	90mm				67mm	119mm	113mm	113mm	117mm	117mm
AMP664CC AMP664CCF	6.03	6.26	4.08	4.06	4.25	4.25	4.81	4.81	PL66 PLA66	4.00	6.88, 6.75	4.91	6.75	5.67	5.45	6.72	6.50
	153mm	159mm	104mm	103mm	108mm	108mm	122mm	122mm		102mm	175, 171mm	125mm	171mm	144mm	139mm	171mm	165mm
AMP864CC AMP864CCF	7.94	6.16	4.08	4.06	6.25	4.25	6.75	4.88	PL86 PLA86	4.00	8.88, 8.75	4.91	8.75	5.67	7.45	6.72	8.50
	202mm	156mm	104mm	103mm	159mm	108mm	171mm	124mm		102mm	226, 222mm	125mm	222mm	144mm	189mm	171mm	216mm
AMP884CC AMP884CCF	7.94	8.16	4.08	4.06	6.25	6.25	6.75	6.88	PL88 PLA88	6.00	8.75	6.91	8.75	7.67	7.45	8.72	8.50
	202mm	207mm	104mm	103mm	159mm	159mm	171mm	175mm		152mm	222mm	175mm	222mm	195mm	189mm	221mm	216mm
AMP1082CC AMP1082CCF	9.93	8.15	2.70	2.68	8.25	6.25	8.75	6.88	PL108 PLA108	6.00	10.75	6.91	10.75	7.75	9.67	8.72	10.50
	252mm	207mm	69mm	68mm	210mm	159mm	222mm	175mm		152mm	273mm	175mm	273mm	197mm	246mm	221mm	267mm
AMP1084CC AMP1084CCF	9.93	8.15	4.08	4.06	8.25	6.25	8.75	6.88	PL108 PLA108	6.00	10.75	6.91	10.75	7.75	9.67	8.72	10.50
	252mm	207mm	104mm	103mm	210mm	159mm	222mm	175mm		152mm	273mm	175mm	273mm	197mm	246mm	221mm	267mm
AMP1086CC AMP1086CCF	9.90	8.12	5.94	6.06	8.25	6.25	8.75	6.88	PL108 PLA108	6.00	10.75	6.91	10.75	7.75	9.67	8.72	10.50
	255mm	206mm	151mm	154mm	210mm	159mm	222mm	175mm		152mm	273mm	175mm	273mm	197mm	246mm	221mm	267mm
AMP1204CC AMP1204CCF	11.93	10.15	4.08	4.16	10.25	8.25	10.75	8.88	PL120 PLA120	8.00	12.75	8.82	12.70	9.75	11.53	10.72	12.50
	303mm	258mm	104mm	106mm	260mm	210mm	273mm	225mm		203mm	324mm	224mm	323mm	248mm	293mm	272mm	318mm
AMP1206CC AMP1206CCF	11.93	10.15	6.08	6.06	10.25	8.25	10.75	8.88	PL120 PLA120	8.00	12.75	8.82	12.70	9.75	11.53	10.72	12.50
	303mm	258mm	154mm	154mm	260mm	210mm	273mm	225mm		203mm	324mm	224mm	323mm	248mm	293mm	272mm	318mm
AMP1226CC AMP1226CCF	12.15	12.15	6.13	5.99	10.19	10.06	10.75	10.75	PL122 PLA122	10.01	12.97, 12.84	10.82	12.92	11.35	11.35	12.72	12.72
	309mm	309mm	156mm	152mm	259mm	256mm	273mm	273mm		254mm	329mm, 326mm	275mm	328mm	288mm	288mm	323mm	323mm
AMP1426CC AMP1426CCF	13.85	12.07	6.13	5.99	12.25	10.25	12.75	10.88	PL142 PLA142	10.01	14.75, 14.62	10.82	14.70	11.75	13.53	12.72	14.50
	352mm	307mm	156mm	152mm	311mm	260mm	324mm	276mm		254mm	375, 371mm	275mm	373mm	298mm	344mm	323mm	368mm
AMP1648CC AMP1648CCF	15.98	13.98	8.00	8.27	14.25	12.25	14.75	12.88	P164 PA164	12.00	17.75	11.47	17.91	13.56	15.74	15.04	17.23
	406mm	355mm	203mm	210mm	362mm	311mm	375mm	327mm		305mm	451mm	291mm	455mm	344mm	400mm	382mm	438mm
AMP1860CC AMP1860CCF	18.04	16.04	10.00	10.27	16.22	14.25	16.88	14.88	P186 PA186	12.00	19.63, 19.51	13.72	19.91	15.56	17.74	17.10	19.28
	458mm	407mm	254mm	261mm	412mm	362mm	429mm	378mm		305mm	499, 496mm	349mm	506mm	395mm	451mm	434mm	490mm
AMP2060CC AMP2060CCF	19.76	15.98	10.13	9.96	17.81	13.81	18.44	14.44	PL206 PLA206	10.00	21.28	13.16	20.53	15.43	19.21	16.72	20.50
	502mm	406mm	257mm	253mm	452mm	351mm	468mm	367mm		254mm	541mm	334mm	521mm	392mm	488mm	425mm	521mm

All dimensions are in inches unless otherwise noted  
 "I" dimensions with multiple numbers indicate slotted holes  
 All sizes 6" x 6" x 4" up through 14" x 12" x 6" are rated 6P (IP68)  
 Enclosure base part numbers come standard with 4 separately bagged feet (ex. AMP664CC)  
 Part numbers with "F" signify factory installed flanges (ex. AMP664CCF)

Data subject to change without notice



# AMP Series

## JIC SIZE JUNCTION BOXES

### Cover Type

Solid/Opaque

### Closure Type

Hinged Screw Cover



### Application

Designed to insulate and protect controls and components in both indoor and outdoor applications often found in industrial control panels, pump controls/ waste water treatment, irrigation/water control, solar/wind, and chemical plants

- Light weight, impact resistant and good corrosion resistance for many industrial enclosure applications and a great alternative to metallic enclosures
- Protects from dirt, dust, and water

### Standards

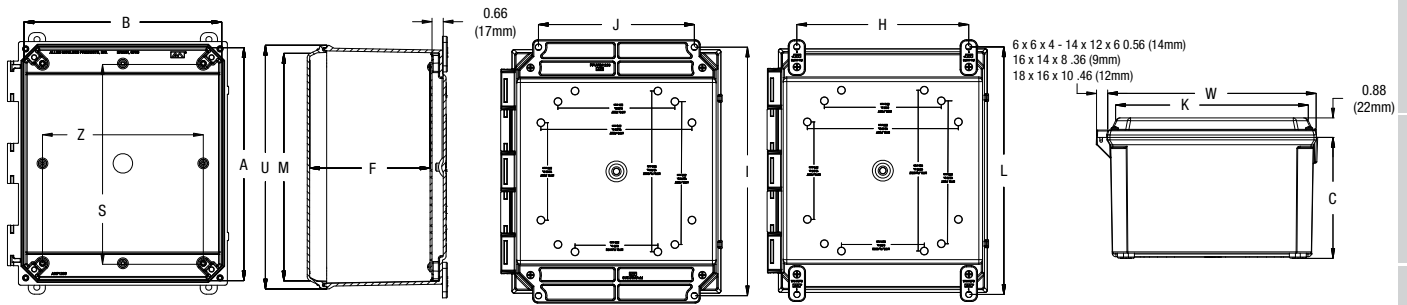
- UL 50 and UL 50E Types 1, 2, 3, 3R, 4, 4X, 12 and 13
- Complies with:
  - NEMA Types 1, 2, 3, 3R, 4, 4X, 12 and 13
  - IEC 60529 Type IP66
  - RoHS directive

### Construction

- Injection molded polycarbonate thermoplastic construction with flush, solid/opaque cover
- Opaque cover, base, feet, flanges — Light gray color (RAL 7035)  
Note: foot models mounting hardware supplied in a bag. Flanged models are pre-assembled
- 316 stainless steel captive cover screws
- Formed-In-Place (FIP) polyurethane gasket system encased in continuous channel
- 316 stainless steel foot/flange mounting hardware
- 316 stainless steel hinge pin (6"-14" sizes)
- Polycarbonate hinge clips (16" & 18" sizes)
- #10-32 threaded brass inserts are installed for back panel mounting

### Accessories & Modifications

- Custom holes and cutouts
- Optional foot/flange mounting hardware
- DIN rail mounting available with molded-in bosses using #10 sheet metal screws
- Factory-supplied custom printing



NOTE: COVER REMOVED FOR CLARITY

FLANGE MOUNT

FOOT MOUNT

\*Nom. Wall Thickness: .14 (4mm)  
 14" thru 18" sizes: .19 (5mm)  
 20" size: .24 (6mm)

Part No.	Box Size			Usable Depth	Panel Boss Centers		Back Panel Size			Flange Mount Centers		Foot Mount Centers		Cover Size			
	A	B	C		F	S	Z	Ht.	Wid.	P/N	J	I	H	L	K	M	W
AMP443H AMP443HF	3.95	3.95	3.75	3.08	3.00	3.00	3.56	3.56	PL44 PLA44	N/A	N/A	2.63	4.69	4.43	4.43	4.63	4.63
	100mm	100mm	95mm	78mm	76mm	76mm	90mm	90mm				67mm	119mm	113mm	113mm	117mm	117mm
AMP664H AMP664HF	6.03	6.26	4.08	4.06	4.25	4.25	4.81	4.81	PL66 PLA66	4.00	6.88, 6.75	4.91	6.75	5.67	5.45	6.72	6.50
	153mm	159mm	104mm	103mm	108mm	108mm	122mm	122mm		102mm	175, 171mm	125mm	171mm	144mm	139mm	171mm	165mm
AMP864H AMP864HF	7.94	6.16	4.08	4.06	6.25	4.25	6.75	4.88	PL86 PLA86	4.00	8.88, 8.75	4.91	8.75	5.67	7.45	6.72	8.50
	202mm	156mm	104mm	103mm	159mm	108mm	171mm	124mm		102mm	226, 222mm	125mm	222mm	144mm	189mm	171mm	216mm
AMP884H AMP884HF	7.94	8.16	4.08	4.06	6.25	6.25	6.75	6.88	PL88 PLA88	6.00	8.75	6.91	8.75	7.67	7.45	8.72	8.50
	202mm	207mm	104mm	103mm	159mm	159mm	171mm	175mm		152mm	222mm	175mm	222mm	195mm	189mm	221mm	216mm
AMP1082H AMP1082HF	9.93	8.15	2.70	2.68	8.25	6.25	8.75	6.88	PL108 PLA108	6.00	10.75	6.91	10.75	7.75	9.67	8.72	10.50
	252mm	207mm	69mm	68mm	210mm	159mm	222mm	175mm		152mm	273mm	175mm	273mm	197mm	246mm	221mm	267mm
AMP1084H AMP1084HF	9.93	8.15	4.08	4.06	8.25	6.25	8.75	6.88	PL108 PLA108	6.00	10.75	6.91	10.75	7.75	9.67	8.72	10.50
	252mm	207mm	104mm	103mm	210mm	159mm	222mm	175mm		152mm	273mm	175mm	273mm	197mm	246mm	221mm	267mm
AMP1086H AMP1086HF	9.90	8.12	5.94	6.06	8.25	6.25	8.75	6.88	PL108 PLA108	6.00	10.75	6.91	10.75	7.75	9.67	8.72	10.50
	255mm	206mm	151mm	154mm	210mm	159mm	222mm	175mm		152mm	273mm	175mm	273mm	197mm	246mm	221mm	267mm
AMP1204H AMP1204HF	11.93	10.15	4.08	4.16	10.25	8.25	10.75	8.88	PL120 PLA120	8.00	12.75	8.82	12.70	9.75	11.53	10.72	12.50
	303mm	258mm	104mm	106mm	260mm	210mm	273mm	225mm		203mm	324mm	224mm	323mm	248mm	293mm	272mm	318mm
AMP1206H AMP1206HF	11.93	10.15	6.08	6.06	10.25	8.25	10.75	8.88	PL120 PLA120	8.00	12.75	8.82	12.70	9.75	11.53	10.72	12.50
	303mm	258mm	154mm	154mm	260mm	210mm	273mm	225mm		203mm	324mm	224mm	323mm	248mm	293mm	272mm	318mm
AMP1226H AMP1226HF	12.15	12.15	6.13	5.99	10.19	10.06	10.75	10.75	PL122 PLA122	10.01	12.97, 12.84	10.82	12.92	11.35	11.35	12.72	12.72
	309mm	309mm	156mm	152mm	259mm	256mm	273mm	273mm		254mm	329mm, 326mm	275mm	328mm	288mm	288mm	323mm	323mm
AMP1426H AMP1426HF	13.85	12.07	6.13	5.99	12.25	10.25	12.75	10.88	PL142 PLA142	10.01	14.75, 14.62	10.82	14.70	11.75	13.53	12.72	14.50
	352mm	307mm	156mm	152mm	311mm	260mm	324mm	276mm		254mm	375, 371mm	275mm	373mm	298mm	344mm	323mm	368mm
AMP1648H AMP1648HF	15.98	13.98	8.00	8.27	14.25	12.25	14.75	12.88	P164 PA164	12.00	17.75	11.47	17.91	13.56	15.74	15.04	17.23
	406mm	355mm	203mm	210mm	362mm	311mm	375mm	327mm		305mm	451mm	291mm	455mm	344mm	400mm	382mm	438mm
AMP1860H AMP1860HF	18.04	16.04	10.00	10.27	16.22	14.25	16.88	14.88	P186 PA186	12.00	19.63, 19.51	13.72	19.91	15.56	17.74	17.10	19.28
	458mm	407mm	254mm	261mm	412mm	362mm	429mm	378mm		305mm	499, 496mm	349mm	506mm	395mm	451mm	434mm	490mm
AMP2060H AMP2060HF	19.76	15.98	10.13	9.96	17.81	13.81	18.44	14.44	PL206 PLA206	10.00	21.28	13.16	20.53	15.43	19.21	16.72	20.50
	502mm	406mm	257mm	253mm	452mm	351mm	468mm	367mm		254mm	541mm	334mm	521mm	392mm	488mm	425mm	521mm

All dimensions are in inches unless otherwise noted  
 "I" dimensions with multiple numbers indicate slotted holes  
 Enclosure base part numbers come standard with 4 separately bagged feet (ex. AMP664H)  
 Part numbers with "F" signify factory installed flanges (ex. AMP664HF)



MODS  
 TECHNICAL  
 STANDARDS  
 ULTRAGUARD®  
 FIBERGLASS  
 AM SERIES  
 AM-R  
 AMHD-R  
 CONTROL  
 EMPIRE  
 ULTRALINE®  
 POLYLINE®  
 ACCESSORIES  
 INDEX

# AMP Series

## JIC SIZE JUNCTION BOXES

### Cover Type

Clear Polycarbonate

### Closure Type

Hinged Screw Cover



### Application

Designed to insulate and protect controls and components in both indoor and outdoor applications often found in industrial control panels, pump controls/ waste water treatment, irrigation/water control, solar/wind, and chemical plants

- Light weight, impact resistant and good corrosion resistance for many industrial enclosure applications and a great alternative to metallic enclosures
- Protects from dirt, dust, and water
- Clear polycarbonate instrumentation cover, used in applications where critical electronic equipment must be visible and protected from the elements

### Standards

- UL 50 and UL 50E Types 1, 2, 3, 3R, 4, 4X, 12 and 13
- Complies with:
  - NEMA Types 1, 2, 3, 3R, 4, 4X, 12 and 13
  - IEC 60529 Type IP66
  - RoHS directive

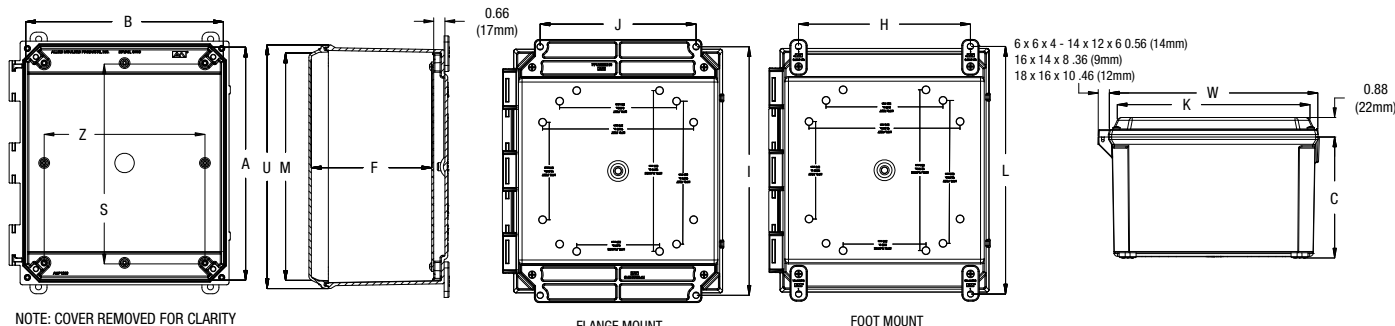
### Construction

- Injection molded polycarbonate thermoplastic construction with flush, clear polycarbonate cover
- Enclosure base, feet, flanges —  
Light gray color (RAL 7035)  
Note: foot models mounting hardware supplied in a bag. Flanged models are pre-assembled
- 316 stainless steel captive cover screws
- Formed-In-Place (FIP) polyurethane gasket system encased in continuous channel
- 316 stainless steel foot/flange mounting hardware
- 316 stainless steel hinge pin (6"-14" sizes)
- Polycarbonate hinge clips (16" & 18" sizes)
- #10-32 threaded brass inserts are installed for back panel mounting

### Accessories & Modifications

- Custom holes and cutouts
- Optional foot/flange mounting hardware
- DIN rail mounting available with molded-in bosses using #10 sheet metal screws
- Factory-supplied custom printing





NOTE: COVER REMOVED FOR CLARITY

FLANGE MOUNT

FOOT MOUNT

\*Nom. Wall Thickness: .14 (4mm)  
 14" thru 18" sizes: .19 (5mm)  
 20" size: .24 (6mm)

Part No.	Box Size			Usable Depth	Panel Boss Centers			Back Panel Size			Flange Mount Centers		Foot Mount Centers		Cover Size			
	A	B	C		F	S	Z	Ht.	Wid.	P/N	J	I	H	L	K	M	W	U
AMP443CCH AMP443CCHF	3.95 100mm	3.95 100mm	3.75 95mm	3.08 78mm	3.00 76mm	3.00 76mm	3.56 90mm	3.56 90mm	PL44 PLA44	N/A	N/A	2.63 67mm	4.69 119mm	4.43 113mm	4.43 113mm	4.63 117mm	4.63 117mm	
AMP664CCH AMP664CCHF	6.03 153mm	6.26 159mm	4.08 104mm	4.06 103mm	4.25 108mm	4.25 108mm	4.81 122mm	4.81 122mm	PL66 PLA66	4.00 102mm	6.88, 6.75 175, 171mm	4.91 125mm	6.75 171mm	5.67 144mm	5.45 139mm	6.72 171mm	6.50 165mm	
AMP864CCH AMP864CCHF	7.94 202mm	6.16 156mm	4.08 104mm	4.06 103mm	6.25 159mm	4.25 108mm	6.75 171mm	4.88 124mm	PL86 PLA86	4.00 102mm	8.88, 8.75 226, 222mm	4.91 125mm	8.75 222mm	5.67 144mm	7.45 189mm	6.72 171mm	8.50 216mm	
AMP884CCH AMP884CCHF	7.94 202mm	8.16 207mm	4.08 104mm	4.06 103mm	6.25 159mm	6.25 159mm	6.75 171mm	6.88 175mm	PL88 PLA88	6.00 152mm	8.75 222mm	6.91 175mm	8.75 222mm	7.67 195mm	7.45 189mm	8.72 221mm	8.50 216mm	
AMP1082CCH AMP1082CCHF	9.93 252mm	8.15 207mm	2.70 69mm	2.68 68mm	8.25 210mm	6.25 159mm	8.75 222mm	6.88 175mm	PL108 PLA108	6.00 152mm	10.75 273mm	6.91 175mm	10.75 273mm	7.75 197mm	9.67 246mm	8.72 221mm	10.50 267mm	
AMP1084CCH AMP1084CCHF	9.93 252mm	8.15 207mm	4.08 104mm	4.06 103mm	8.25 210mm	6.25 159mm	8.75 222mm	6.88 175mm	PL108 PLA108	6.00 152mm	10.75 273mm	6.91 175mm	10.75 273mm	7.75 197mm	9.67 246mm	8.72 221mm	10.50 267mm	
AMP1086CCH AMP1086CCHF	9.90 255mm	8.12 206mm	5.94 151mm	6.06 154mm	8.25 210mm	6.25 159mm	8.75 222mm	6.88 175mm	PL108 PLA108	6.00 152mm	10.75 273mm	6.91 175mm	10.75 273mm	7.75 197mm	9.67 246mm	8.72 221mm	10.50 267mm	
AMP1204CCH AMP1204CCHF	11.93 303mm	10.15 258mm	4.08 104mm	4.16 106mm	10.25 260mm	8.25 210mm	10.75 273mm	8.88 225mm	PL120 PLA120	8.00 203mm	12.75 324mm	8.82 224mm	12.70 323mm	9.75 248mm	11.53 293mm	10.72 272mm	12.50 318mm	
AMP1206CCH AMP1206CCHF	11.93 303mm	10.15 258mm	6.08 154mm	6.06 154mm	10.25 260mm	8.25 210mm	10.75 273mm	8.88 225mm	PL120 PLA120	8.00 203mm	12.75 324mm	8.82 224mm	12.70 323mm	9.75 248mm	11.53 293mm	10.72 272mm	12.50 318mm	
AMP1226CCH AMP1226CCHF	12.15 309mm	12.15 309mm	6.13 156mm	5.99 152mm	10.19 259mm	10.06 256mm	10.75 273mm	10.75 273mm	PL122 PLA122	10.01 254mm	12.97, 12.84 329mm, 326mm	10.82 275mm	12.92 328mm	11.35 288mm	11.35 288mm	12.72 323mm	12.72 323mm	
AMP1426CCH AMP1426CCHF	13.85 352mm	12.07 307mm	6.13 156mm	5.99 152mm	12.25 311mm	10.25 260mm	12.75 324mm	10.88 276mm	PL142 PLA142	10.01 254mm	14.75, 14.62 375, 371mm	10.82 275mm	14.70 373mm	11.75 298mm	13.53 344mm	12.72 323mm	14.50 368mm	
AMP1648CCH AMP1648CCHF	15.98 406mm	13.98 355mm	8.00 203mm	8.27 210mm	14.25 362mm	12.25 311mm	14.75 375mm	12.88 327mm	P164 PA164	12.00 305mm	17.75 451mm	11.47 291mm	17.91 455mm	13.56 344mm	15.74 400mm	15.04 382mm	17.23 438mm	
AMP1860CCH AMP1860CCHF	18.04 458mm	16.04 407mm	10.00 254mm	10.27 261mm	16.22 412mm	14.25 362mm	16.88 429mm	14.88 378mm	P186 PA186	12.00 305mm	19.63, 19.51 499, 496mm	13.72 349mm	19.91 506mm	15.56 395mm	17.74 451mm	17.10 434mm	19.28 490mm	
AMP2060CCH AMP2060CCHF	19.76 502mm	15.98 406mm	10.13 257mm	9.96 253mm	17.81 452mm	13.81 351mm	18.44 468mm	14.44 367mm	PL206 PLA206	10.00 254mm	21.28 541mm	13.16 334mm	20.53 521mm	15.43 392mm	19.21 488mm	16.72 425mm	20.50 521mm	

All dimensions are in inches unless otherwise noted  
 "I" dimensions with multiple numbers indicate slotted holes  
 Enclosure base part numbers come standard with 4 separately bagged feet (ex. AMP664CCH)  
 Part numbers with "F" signify factory installed flanges (ex. AMP664CCHF)



# AMP Series

## JIC SIZE JUNCTION BOXES

### Cover Type

Solid/Opaque

### Closure Type

Nonmetal Snap Latch  
Hinged Cover



### Application

Designed to insulate and protect controls and components in both indoor and outdoor applications often found in industrial control panels, pump controls/ waste water treatment, irrigation/water control, solar/wind, and chemical plants

- Light weight, impact resistant and good corrosion resistance for many industrial enclosure applications and a great alternative to metallic enclosures
- Protects from dirt, dust, and water

### Standards

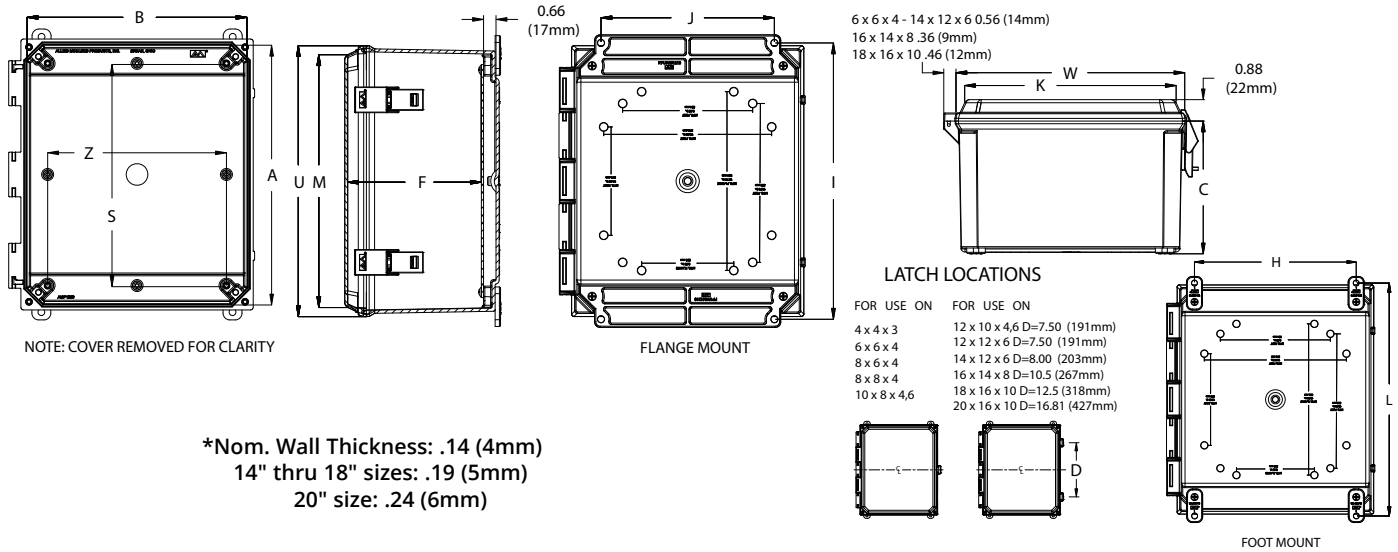
- UL 50 and UL 50E Types 1, 2, 3, 3R, 4, 4X, 12 and 13
- Complies with:
  - NEMA Types 1, 2, 3, 3R, 4, 4X, 12 and 13
  - IEC 60529 Type IP66
  - RoHS directive

### Construction

- Injection molded polycarbonate thermoplastic construction with flush, solid/opaque cover
- Opaque cover, base, snap latches, feet, flanges — Light gray color (RAL 7035)  
Note: foot models mounting hardware supplied in a bag. Flanged models are pre-assembled
- Polycarbonate snap latches feature padlock hasp (.281" dia.)—(AMP1082 not available)
- Formed-In-Place (FIP) polyurethane gasket system encased in continuous channel
- 316 stainless steel foot/flange mounting hardware
- 316 stainless steel hinge pin (6"-14" sizes)
- Polycarbonate hinge clips (16" & 18" sizes)
- #10-32 threaded brass inserts are installed for back panel mounting

### Accessories & Modifications

- Custom holes and cutouts
- Optional foot/flange mounting hardware
- DIN rail mounting available with molded-in bosses using #10 sheet metal screws
- Factory-supplied custom printing



\*Nom. Wall Thickness: .14 (4mm)  
 14" thru 18" sizes: .19 (5mm)  
 20" size: .24 (6mm)

Part No.	Box Size			Usable Depth	Panel Boss Centers		Back Panel Size			Flange Mount Centers		Foot Mount Centers		Cover Size			
	A	B	C		F	S	Z	Ht.	Wid.	P/N	J	I	H	L	K	M	W
AMP443NL AMP443NLF	3.95	3.95	3.75	3.08	3.00	3.00	3.56	3.56	PL44 PLA44	N/A	N/A	2.63	4.69	4.43	4.43	4.63	4.63
	100mm	100mm	95mm	78mm	76mm	76mm	90mm	90mm				67mm	119mm	113mm	113mm	117mm	117mm
AMP664NL AMP664NLF	6.03	6.26	4.08	4.06	4.25	4.25	4.81	4.81	PL66 PLA66	4.00	6.88, 6.75	4.91	6.75	5.67	5.45	6.72	6.50
	153mm	159mm	104mm	103mm	108mm	108mm	122mm	122mm		102mm	175, 171mm	125mm	171mm	144mm	139mm	171mm	165mm
AMP864NL AMP864NLF	7.94	6.16	4.08	4.06	6.25	4.25	6.75	4.88	PL86 PLA86	4.00	8.88, 8.75	4.91	8.75	5.67	7.45	6.72	8.50
	202mm	156mm	104mm	103mm	159mm	108mm	171mm	124mm		102mm	226, 222mm	125mm	222mm	144mm	189mm	171mm	216mm
AMP884NL AMP884NLF	7.94	8.16	4.08	4.06	6.25	6.25	6.75	6.88	PL88 PLA88	6.00	8.75	6.91	8.75	7.67	7.45	8.72	8.50
	202mm	207mm	104mm	103mm	159mm	159mm	171mm	175mm		152mm	222mm	175mm	222mm	195mm	189mm	221mm	216mm
AMP1082NL AMP1082NLF	9.93	8.15	2.70	2.68	8.25	6.25	8.75	6.88	PL108 PLA108	6.00	10.75	6.91	10.75	7.75	9.67	8.72	10.50
	252mm	207mm	69mm	68mm	210mm	159mm	222mm	175mm		152mm	273mm	175mm	273mm	197mm	246mm	221mm	267mm
AMP1084NL AMP1084NLF	9.93	8.15	4.08	4.06	8.25	6.25	8.75	6.88	PL108 PLA108	6.00	10.75	6.91	10.75	7.75	9.67	8.72	10.50
	252mm	207mm	104mm	103mm	210mm	159mm	222mm	175mm		152mm	273mm	175mm	273mm	197mm	246mm	221mm	267mm
AMP1086NL AMP1086NLF	9.90	8.12	5.94	6.06	8.25	6.25	8.75	6.88	PL108 PLA108	6.00	10.75	6.91	10.75	7.75	9.67	8.72	10.50
	255mm	206mm	151mm	154mm	210mm	159mm	222mm	175mm		152mm	273mm	175mm	273mm	197mm	246mm	221mm	267mm
AMP1204NL AMP1204NLF	11.93	10.15	4.08	4.16	10.25	8.25	10.75	8.88	PL120 PLA120	8.00	12.75	8.82	12.70	9.75	11.53	10.72	12.50
	303mm	258mm	104mm	106mm	260mm	210mm	273mm	225mm		203mm	324mm	224mm	323mm	248mm	293mm	272mm	318mm
AMP1206NL AMP1206NLF	11.93	10.15	6.08	6.06	10.25	8.25	10.75	8.88	PL120 PLA120	8.00	12.75	8.82	12.70	9.75	11.53	10.72	12.50
	303mm	258mm	154mm	154mm	260mm	210mm	273mm	225mm		203mm	324mm	224mm	323mm	248mm	293mm	272mm	318mm
AMP1226NL AMP1226NLF	12.15	12.15	6.13	5.99	10.19	10.06	10.75	10.75	PL122 PLA122	10.01	12.97, 12.84	10.82	12.92	11.35	11.35	12.72	12.72
	309mm	309mm	156mm	152mm	259mm	256mm	273mm	273mm		254mm	329mm, 326mm	275mm	328mm	288mm	288mm	323mm	323mm
AMP1426NL AMP1426NLF	13.85	12.07	6.13	5.99	12.25	10.25	12.75	10.88	PL142 PLA142	10.01	14.75, 14.62	10.82	14.70	11.75	13.53	12.72	14.50
	352mm	307mm	156mm	152mm	311mm	260mm	324mm	276mm		254mm	375, 371mm	275mm	373mm	298mm	344mm	323mm	368mm
AMP1648NL AMP1648NLF	15.98	13.98	8.00	8.27	14.25	12.25	14.75	12.88	P164 PA164	12.00	17.75	11.47	17.91	13.56	15.74	15.04	17.23
	406mm	355mm	203mm	210mm	362mm	311mm	375mm	327mm		305mm	451mm	291mm	455mm	344mm	400mm	382mm	438mm
AMP1860NL AMP1860NLF	18.04	16.04	10.00	10.27	16.22	14.25	16.88	14.88	P186 PA186	12.00	19.63, 19.51	13.72	19.91	15.56	17.74	17.10	19.28
	458mm	407mm	254mm	261mm	412mm	362mm	429mm	378mm		305mm	499, 496mm	349mm	506mm	395mm	451mm	434mm	490mm
AMP2060NL AMP2060NLF	19.76	15.98	10.13	9.96	17.81	13.81	18.44	14.44	PL206 PLA206	10.00	21.28	13.16	20.53	15.43	19.21	16.72	20.50
	502mm	406mm	257mm	253mm	452mm	351mm	468mm	367mm		254mm	541mm	334mm	521mm	392mm	488mm	425mm	521mm

All dimensions are in inches unless otherwise noted  
 "I" dimensions with multiple numbers indicate slotted holes  
 Enclosure base part numbers come standard with 4 separately bagged feet (ex. AMP664NL)  
 Part numbers with "F" signify factory installed flanges (ex. AMP664NLF)

Data subject to change without notice



# AMP Series

## JIC SIZE JUNCTION BOXES

### Cover Type

Clear Polycarbonate

### Closure Type

Nonmetal Snap Latch  
Hinged Cover



### Application

Designed to insulate and protect controls and components in both indoor and outdoor applications often found in industrial control panels, pump controls/ waste water treatment, irrigation/water control, solar/wind, and chemical plants

- Light weight, impact resistant and good corrosion resistance for many industrial enclosure applications and a great alternative to metallic enclosures
- Protects from dirt, dust, and water
- Clear polycarbonate instrumentation cover, used in applications where critical electronic equipment must be visible and protected from the elements

### Standards

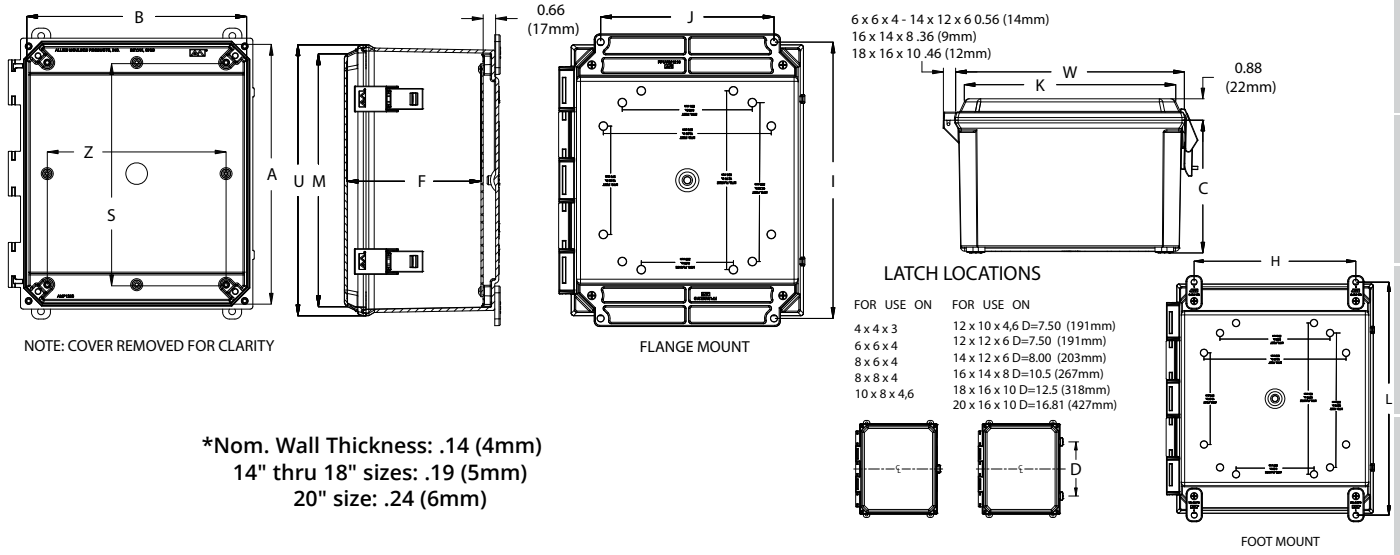
- UL 50 and UL 50E Types 1, 2, 3, 3R, 4, 4X, 12 and 13
- Complies with:
  - NEMA Types 1, 2, 3, 3R, 4, 4X, 12 and 13
  - IEC 60529 Type IP66
  - RoHS directive

### Construction

- Injection molded polycarbonate thermoplastic construction with flush, clear polycarbonate cover
- Enclosure base, feet, flanges — Light gray color (RAL 7035)  
Note: foot models mounting hardware supplied in a bag. Flanged models are pre-assembled
- Polycarbonate snap latches feature padlock hasp (.281" dia.)—(AMP1082 not available)
- Formed-In-Place (FIP) polyurethane gasket system encased in continuous channel
- 316 stainless steel foot/flange mounting hardware
- 316 stainless steel hinge pin (6"-14" sizes)
- Polycarbonate hinge clips (16" & 18" sizes)
- #10-32 threaded brass inserts are installed for back panel mounting

### Accessories & Modifications

- Custom holes and cutouts
- Optional foot/flange mounting hardware
- DIN rail mounting available with molded-in bosses using #10 sheet metal screws
- Factory-supplied custom printing



\*Nom. Wall Thickness: .14 (4mm)  
 14" thru 18" sizes: .19 (5mm)  
 20" size: .24 (6mm)

Part No.	Box Size			Usable Depth	Panel Boss Centers			Back Panel Size			Flange Mount Centers		Foot Mount Centers		Cover Size			
	A	B	C		F	S	Z	Ht.	Wid.	P/N	J	I	H	L	K	M	W	U
AMP443CCNL AMP443CCNLF	3.95 100mm	3.95 100mm	3.75 95mm	3.08 78mm	3.00 76mm	3.00 76mm	3.56 90mm	3.56 90mm	PL44 PLA44	N/A	N/A	2.63 67mm	4.69 119mm	4.43 113mm	4.43 113mm	4.63 117mm	4.63 117mm	4.63 117mm
AMP664CCNL AMP664CCNLF	6.03 153mm	6.26 159mm	4.08 104mm	4.06 103mm	4.25 108mm	4.25 108mm	4.81 122mm	4.81 122mm	PL66 PLA66	4.00 102mm	6.88, 6.75 175, 171mm	4.91 125mm	6.75 171mm	5.67 144mm	5.45 139mm	6.72 171mm	6.50 165mm	
AMP864CCNL AMP864CCNLF	7.94 202mm	6.16 156mm	4.08 104mm	4.06 103mm	6.25 159mm	4.25 108mm	6.75 171mm	4.88 124mm	PL86 PLA86	4.00 102mm	8.88, 8.75 226, 222mm	4.91 125mm	8.75 222mm	5.67 144mm	7.45 189mm	6.72 171mm	8.50 216mm	
AMP884CCNL AMP884CCNLF	7.94 202mm	8.16 207mm	4.08 104mm	4.06 103mm	6.25 159mm	6.25 159mm	6.75 171mm	6.88 175mm	PL88 PLA88	6.00 152mm	8.75 222mm	6.91 175mm	8.75 222mm	7.67 195mm	7.45 189mm	8.72 221mm	8.50 216mm	
AMP1082CCNL AMP1082CCNLF	9.93 252mm	8.15 207mm	2.70 69mm	2.68 68mm	8.25 210mm	6.25 159mm	8.75 222mm	6.88 175mm	PL108 PLA108	6.00 152mm	10.75 273mm	6.91 175mm	10.75 273mm	7.75 197mm	9.67 246mm	8.72 221mm	10.50 267mm	
AMP1084CCNL AMP1084CCNLF	9.93 252mm	8.15 207mm	4.08 104mm	4.06 103mm	8.25 210mm	6.25 159mm	8.75 222mm	6.88 175mm	PL108 PLA108	6.00 152mm	10.75 273mm	6.91 175mm	10.75 273mm	7.75 197mm	9.67 246mm	8.72 221mm	10.50 267mm	
AMP1086CCNL AMP1086CCNLF	9.90 255mm	8.12 206mm	5.94 151mm	6.06 154mm	8.25 210mm	6.25 159mm	8.75 222mm	6.88 175mm	PL108 PLA108	6.00 152mm	10.75 273mm	6.91 175mm	10.75 273mm	7.75 197mm	9.67 246mm	8.72 221mm	10.50 267mm	
AMP1204CCNL AMP1204CCNLF	11.93 303mm	10.15 258mm	4.08 104mm	4.16 106mm	10.25 260mm	8.25 210mm	10.75 273mm	8.88 225mm	PL120 PLA120	8.00 203mm	12.75 324mm	8.82 224mm	12.70 323mm	9.75 248mm	11.53 293mm	10.72 272mm	12.50 318mm	
AMP1206CCNL AMP1206CCNLF	11.93 303mm	10.15 258mm	6.08 154mm	6.06 154mm	10.25 260mm	8.25 210mm	10.75 273mm	8.88 225mm	PL120 PLA120	8.00 203mm	12.75 324mm	8.82 224mm	12.70 323mm	9.75 248mm	11.53 293mm	10.72 272mm	12.50 318mm	
AMP1226CCNL AMP1226CCNLF	12.15 309mm	12.15 309mm	6.13 156mm	5.99 152mm	10.19 259mm	10.06 256mm	10.75 273mm	10.75 273mm	PL122 PLA122	10.01 254mm	12.97, 12.84 329mm, 326mm	10.82 275mm	12.92 328mm	11.35 288mm	11.35 288mm	12.72 323mm	12.72 323mm	
AMP1426CCNL AMP1426CCNLF	13.85 352mm	12.07 307mm	6.13 156mm	5.99 152mm	12.25 311mm	10.25 260mm	12.75 324mm	10.88 276mm	PL142 PLA142	10.01 254mm	14.75, 14.62 375, 371mm	10.82 275mm	14.70 373mm	11.75 298mm	13.53 344mm	12.72 323mm	14.50 368mm	
AMP1648CCNL AMP1648CCNLF	15.98 406mm	13.98 355mm	8.00 203mm	8.27 210mm	14.25 362mm	12.25 311mm	14.75 375mm	12.88 327mm	P164 PA164	12.00 305mm	17.75 451mm	11.47 291mm	17.91 455mm	13.56 344mm	15.74 400mm	15.04 382mm	17.23 438mm	
AMP1860CCNL AMP1860CCNLF	18.04 458mm	16.04 407mm	10.00 254mm	10.27 261mm	16.22 412mm	14.25 362mm	16.88 429mm	14.88 378mm	P186 PA186	12.00 305mm	19.63, 19.51 499, 496mm	13.72 349mm	19.91 506mm	15.56 395mm	17.74 451mm	17.10 434mm	19.28 490mm	
AMP2060CCNL AMP2060CCNLF	19.76 502mm	15.98 406mm	10.13 257mm	9.96 253mm	17.81 452mm	13.81 351mm	18.44 468mm	14.44 367mm	PL206 PLA206	10.00 254mm	21.28 541mm	13.16 334mm	20.53 521mm	15.43 392mm	19.21 488mm	16.72 425mm	20.50 521mm	

All dimensions are in inches unless otherwise noted

"I" dimensions with multiple numbers indicate slotted holes

Enclosure base part numbers come standard with 4 separately bagged feet (ex. AMP664CCNL)

Part numbers with "F" signify factory installed flanges (ex. AMP664CCNLF)

Data subject to change without notice



# AMP Series

## JIC SIZE JUNCTION BOXES

### Cover Type

Solid/Opaque

### Closure Type

Snap Latch Hinged Cover



### Application

Designed to insulate and protect controls and components in both indoor and outdoor applications often found in industrial control panels, pump controls/ waste water treatment, irrigation/water control, solar/wind, and chemical plants

- Light weight, impact resistant and good corrosion resistance for many industrial enclosure applications and a great alternative to metallic enclosures
- Protects from dirt, dust, and water

### Standards

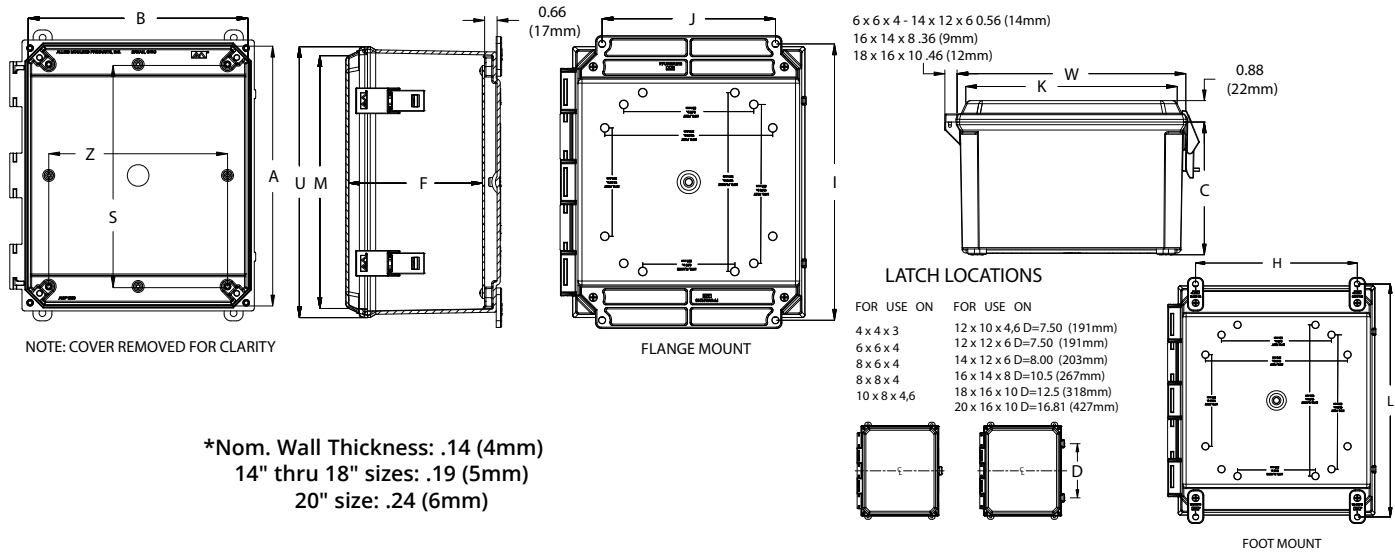
- UL 50 and UL 50E Types 1, 2, 3, 3R, 4, 4X, 12 and 13
- Complies with:
  - NEMA Types 1, 2, 3, 3R, 4, 4X, 12 and 13
  - IEC 60529 Type IP66
  - RoHS directive

### Construction

- Injection molded polycarbonate thermoplastic construction with flush, solid/opaque cover
- Opaque cover, base, feet, flanges — Light gray color (RAL 7035)  
Note: foot models mounting hardware supplied in a bag. Flanged models are pre-assembled
- 316 stainless steel snap latches feature padlock hasp (.375" dia.)—(AMP1082 .354" dia.)
- Formed-In-Place (FIP) polyurethane gasket system encased in continuous channel
- 316 stainless steel foot/flange mounting hardware
- 316 stainless steel hinge pin (6"-14" sizes)
- Polycarbonate hinge clips (16" & 18" sizes)
- #10-32 threaded brass inserts are installed for back panel mounting

### Accessories & Modifications

- Custom holes and cutouts
- Optional foot/flange mounting hardware
- DIN rail mounting available with molded-in bosses using #10 sheet metal screws
- Factory-supplied custom printing



\*Nom. Wall Thickness: .14 (4mm)  
 14" thru 18" sizes: .19 (5mm)  
 20" size: .24 (6mm)

Part No.	Box Size			Usable Depth	Panel Boss Centers			Back Panel Size			Flange Mount Centers		Foot Mount Centers		Cover Size			
	A	B	C		F	S	Z	Ht.	Wid.	P/N	J	I	H	L	K	M	W	U
AMP443L AMP443LF	3.95	3.95	3.75	3.08	3.00	3.00	3.56	3.56	PL44 PLA44	N/A	N/A	2.63	4.69	4.43	4.43	4.63	4.63	
	100mm	100mm	95mm	78mm	76mm	76mm	90mm	90mm				67mm	119mm	113mm	113mm	117mm	117mm	
AMP664L AMP664LF	6.03	6.26	4.08	4.06	4.25	4.25	4.81	4.81	PL66 PLA66	4.00	6.88, 6.75	4.91	6.75	5.67	5.45	6.72	6.50	
	153mm	159mm	104mm	103mm	108mm	108mm	122mm	122mm		102mm	175, 171mm	125mm	171mm	144mm	139mm	171mm	165mm	
AMP864L AMP864LF	7.94	6.16	4.08	4.06	6.25	4.25	6.75	4.88	PL86 PLA86	4.00	8.88, 8.75	4.91	8.75	5.67	7.45	6.72	8.50	
	202mm	156mm	104mm	103mm	159mm	108mm	171mm	124mm		102mm	226, 222mm	125mm	222mm	144mm	189mm	171mm	216mm	
AMP884L AMP884LF	7.94	8.16	4.08	4.06	6.25	6.25	6.75	6.88	PL88 PLA88	6.00	8.75	6.91	8.75	7.67	7.45	8.72	8.50	
	202mm	207mm	104mm	103mm	159mm	159mm	171mm	175mm		152mm	222mm	175mm	222mm	195mm	189mm	221mm	216mm	
AMP1082L AMP1082LF	9.93	8.15	2.70	2.68	8.25	6.25	8.75	6.88	PL108 PLA108	6.00	10.75	6.91	10.75	7.75	9.67	8.72	10.50	
	252mm	207mm	69mm	68mm	210mm	159mm	222mm	175mm		152mm	273mm	175mm	273mm	197mm	246mm	221mm	267mm	
AMP1084L AMP1084LF	9.93	8.15	4.08	4.06	8.25	6.25	8.75	6.88	PL108 PLA108	6.00	10.75	6.91	10.75	7.75	9.67	8.72	10.50	
	252mm	207mm	104mm	103mm	210mm	159mm	222mm	175mm		152mm	273mm	175mm	273mm	197mm	246mm	221mm	267mm	
AMP1086L AMP1086LF	9.90	8.12	5.94	6.06	8.25	6.25	8.75	6.88	PL108 PLA108	6.00	10.75	6.91	10.75	7.75	9.67	8.72	10.50	
	255mm	206mm	151mm	154mm	210mm	159mm	222mm	175mm		152mm	273mm	175mm	273mm	197mm	246mm	221mm	267mm	
AMP1204L AMP1204LF	11.93	10.15	4.08	4.16	10.25	8.25	10.75	8.88	PL120 PLA120	8.00	12.75	8.82	12.70	9.75	11.53	10.72	12.50	
	303mm	258mm	104mm	106mm	260mm	210mm	273mm	225mm		203mm	324mm	224mm	323mm	248mm	293mm	272mm	318mm	
AMP1206L AMP1206LF	11.93	10.15	6.08	6.06	10.25	8.25	10.75	8.88	PL120 PLA120	8.00	12.75	8.82	12.70	9.75	11.53	10.72	12.50	
	303mm	258mm	154mm	154mm	260mm	210mm	273mm	225mm		203mm	324mm	224mm	323mm	248mm	293mm	272mm	318mm	
AMP1226L AMP1226LF	12.15	12.15	6.13	5.99	10.19	10.06	10.75	10.75	PL122 PLA122	10.01	12.97, 12.84	10.82	12.92	11.35	11.35	12.72	12.72	
	309mm	309mm	156mm	152mm	259mm	256mm	273mm	273mm		254mm	329mm, 326mm	275mm	328mm	288mm	288mm	323mm	323mm	
AMP1426L AMP1426LF	13.85	12.07	6.13	5.99	12.25	10.25	12.75	10.88	PL142 PLA142	10.01	14.75, 14.62	10.82	14.70	11.75	13.53	12.72	14.50	
	352mm	307mm	156mm	152mm	311mm	260mm	324mm	276mm		254mm	375, 371mm	275mm	373mm	298mm	344mm	323mm	368mm	
AMP1648L AMP1648LF	15.98	13.98	8.00	8.27	14.25	12.25	14.75	12.88	P164 PA164	12.00	17.75	11.47	17.91	13.56	15.74	15.04	17.23	
	406mm	355mm	203mm	210mm	362mm	311mm	375mm	327mm		305mm	451mm	291mm	455mm	344mm	400mm	382mm	438mm	
AMP1860L AMP1860LF	18.04	16.04	10.00	10.27	16.22	14.25	16.88	14.88	P186 PA186	12.00	19.63, 19.51	13.72	19.91	15.56	17.74	17.10	19.28	
	458mm	407mm	254mm	261mm	412mm	362mm	429mm	378mm		305mm	499, 496mm	349mm	506mm	395mm	451mm	434mm	490mm	
AMP2060L AMP2060LF	19.76	15.98	10.13	9.96	17.81	13.81	18.44	14.44	PL206 PLA206	10.00	21.28	13.16	20.53	15.43	19.21	16.72	20.50	
	502mm	406mm	257mm	253mm	452mm	351mm	468mm	367mm		254mm	541mm	334mm	521mm	392mm	488mm	425mm	521mm	

All dimensions are in inches unless otherwise noted  
 "I" dimensions with multiple numbers indicate slotted holes  
 Enclosure base part numbers come standard with 4 separately bagged feet (ex. AMP664L)  
 Part numbers with "F" signify factory installed flanges (ex. AMP664LF)

Data subject to change without notice



# AMP Series

## JIC SIZE JUNCTION BOXES

### Cover Type

Clear Polycarbonate

### Closure Type

Snap Latch Hinged Cover



### Application

Designed to insulate and protect controls and components in both indoor and outdoor applications often found in industrial control panels, pump controls/ waste water treatment, irrigation/water control, solar/wind, and chemical plants

- Light weight, impact resistant and good corrosion resistance for many industrial enclosure applications and a great alternative to metallic enclosures
- Protects from dirt, dust, and water
- Clear polycarbonate instrumentation cover, used in applications where critical electronic equipment must be visible and protected from the elements

### Standards

- UL 50 and UL 50E Types 1, 2, 3, 3R, 4, 4X, 12 and 13
- Complies with:
  - NEMA Types 1, 2, 3, 3R, 4, 4X, 12 and 13
  - IEC 60529 Type IP66
  - RoHS directive

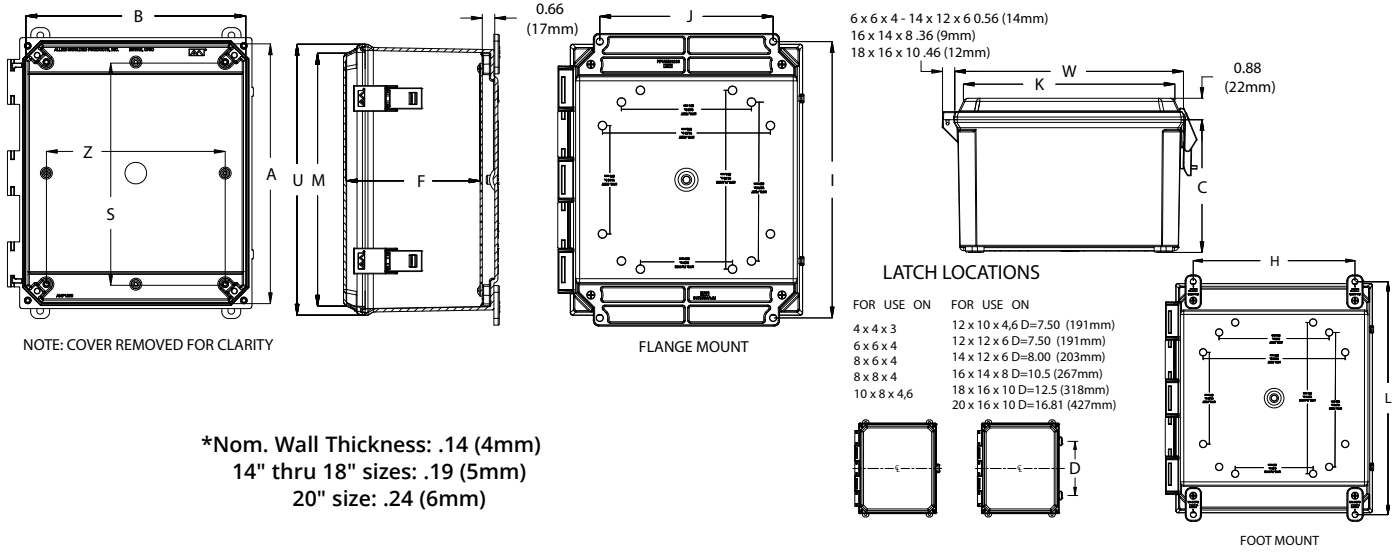
### Construction

- Injection molded polycarbonate thermoplastic construction with flush, clear polycarbonate cover
- Enclosure base, feet, flanges — Light gray color (RAL 7035)  
Note: foot models mounting hardware supplied in a bag. Flanged models are pre-assembled
- 316 stainless steel snap latches feature padlock hasp (.375" dia.)—(AMP1082 .354" dia.)
- Formed-In-Place (FIP) polyurethane gasket system encased in continuous channel
- 316 stainless steel foot/flange mounting hardware
- 316 stainless steel hinge pin (6"-14" sizes)
- Polycarbonate hinge clips (16" & 18" sizes)
- #10-32 threaded brass inserts are installed for back panel mounting

### Accessories & Modifications

- Custom holes and cutouts
- Optional foot/flange mounting hardware
- DIN rail mounting available with molded-in bosses using #10 sheet metal screws
- Factory-supplied custom printing





\*Nom. Wall Thickness: .14 (4mm)  
 14" thru 18" sizes: .19 (5mm)  
 20" size: .24 (6mm)

Part No.	Box Size			Usable Depth	Panel Boss Centers			Back Panel Size			Flange Mount Centers		Foot Mount Centers		Cover Size			
	A	B	C		F	S	Z	Ht.	Wid.	P/N	J	I	H	L	K	M	W	U
AMP443CCL AMP443CCLF	3.95 100mm	3.95 100mm	3.75 95mm	3.08 78mm	3.00 76mm	3.00 76mm	3.56 90mm	3.56 90mm	PL44 PLA44	N/A	N/A	2.63 67mm	4.69 119mm	4.43 113mm	4.43 113mm	4.63 117mm	4.63 117mm	
AMP664CCL AMP664CCLF	6.03 153mm	6.26 159mm	4.08 104mm	4.06 103mm	4.25 108mm	4.25 108mm	4.81 122mm	4.81 122mm	PL66 PLA66	4.00 102mm	6.88, 6.75 175, 171mm	4.91 125mm	6.75 171mm	5.67 144mm	5.45 139mm	6.72 171mm	6.50 165mm	
AMP864CCL AMP864CCLF	7.94 202mm	6.16 156mm	4.08 104mm	4.06 103mm	6.25 159mm	4.25 108mm	6.75 171mm	4.88 124mm	PL86 PLA86	4.00 102mm	8.88, 8.75 226, 222mm	4.91 125mm	8.75 222mm	5.67 144mm	7.45 189mm	6.72 171mm	8.50 216mm	
AMP884CCL AMP884CCLF	7.94 202mm	8.16 207mm	4.08 104mm	4.06 103mm	6.25 159mm	6.25 159mm	6.75 171mm	6.88 175mm	PL88 PLA88	6.00 152mm	8.75 222mm	6.91 175mm	8.75 222mm	7.67 195mm	7.45 189mm	8.72 221mm	8.50 216mm	
AMP1082CCL AMP1082CCLF	9.93 252mm	8.15 207mm	2.70 69mm	2.68 68mm	8.25 210mm	6.25 159mm	8.75 222mm	6.88 175mm	PL108 PLA108	6.00 152mm	10.75 273mm	6.91 175mm	10.75 273mm	7.75 197mm	9.67 246mm	8.72 221mm	10.50 267mm	
AMP1084CCL AMP1084CCLF	9.93 252mm	8.15 207mm	4.08 104mm	4.06 103mm	8.25 210mm	6.25 159mm	8.75 222mm	6.88 175mm	PL108 PLA108	6.00 152mm	10.75 273mm	6.91 175mm	10.75 273mm	7.75 197mm	9.67 246mm	8.72 221mm	10.50 267mm	
AMP1086CCL AMP1086CCLF	9.90 255mm	8.12 206mm	5.94 151mm	6.06 154mm	8.25 210mm	6.25 159mm	8.75 222mm	6.88 175mm	PL108 PLA108	6.00 152mm	10.75 273mm	6.91 175mm	10.75 273mm	7.75 197mm	9.67 246mm	8.72 221mm	10.50 267mm	
AMP1204CCL AMP1204CCLF	11.93 303mm	10.15 258mm	4.08 104mm	4.16 106mm	10.25 260mm	8.25 210mm	10.75 273mm	8.88 225mm	PL120 PLA120	8.00 203mm	12.75 324mm	8.82 224mm	12.70 323mm	9.75 248mm	11.53 293mm	10.72 272mm	12.50 318mm	
AMP1206CCL AMP1206CCLF	11.93 303mm	10.15 258mm	6.08 154mm	6.06 154mm	10.25 260mm	8.25 210mm	10.75 273mm	8.88 225mm	PL120 PLA120	8.00 203mm	12.75 324mm	8.82 224mm	12.70 323mm	9.75 248mm	11.53 293mm	10.72 272mm	12.50 318mm	
AMP1226CCL AMP1226CCLF	12.15 309mm	12.15 309mm	6.13 156mm	5.99 152mm	10.19 259mm	10.06 256mm	10.75 273mm	10.75 273mm	PL122 PLA122	10.01 254mm	12.97, 12.84 329mm, 326mm	10.82 275mm	12.92 328mm	11.35 288mm	11.35 288mm	12.72 323mm	12.72 323mm	
AMP1426CCL AMP1426CCLF	13.85 352mm	12.07 307mm	6.13 156mm	5.99 152mm	12.25 311mm	10.25 260mm	12.75 324mm	10.88 276mm	PL142 PLA142	10.01 254mm	14.75, 14.62 375, 371mm	10.82 275mm	14.70 373mm	11.75 298mm	13.53 344mm	12.72 323mm	14.50 368mm	
AMP1648CCL AMP1648CCLF	15.98 406mm	13.98 355mm	8.00 203mm	8.27 210mm	14.25 362mm	12.25 311mm	14.75 375mm	12.88 327mm	P164 PA164	12.00 305mm	17.75 451mm	11.47 291mm	17.91 455mm	13.56 344mm	15.74 400mm	15.04 382mm	17.23 438mm	
AMP1860CCL AMP1860CCLF	18.04 458mm	16.04 407mm	10.00 254mm	10.27 261mm	16.22 412mm	14.25 362mm	16.88 429mm	14.88 378mm	P186 PA186	12.00 305mm	19.63, 19.51 499, 496mm	13.72 349mm	19.91 506mm	15.56 395mm	17.74 451mm	17.10 434mm	19.28 490mm	
AMP2060CCL AMP2060CCLF	19.76 502mm	15.98 406mm	10.13 257mm	9.96 253mm	17.81 452mm	13.81 351mm	18.44 468mm	14.44 367mm	PL206 PLA206	10.00 254mm	21.28 541mm	13.16 334mm	20.53 521mm	15.43 392mm	19.21 488mm	16.72 425mm	20.50 521mm	

All dimensions are in inches unless otherwise noted  
 "I" dimensions with multiple numbers indicate slotted holes  
 Enclosure base part numbers come standard with 4 separately bagged feet (ex. AMP664CCL)  
 Part numbers with "F" signify factory installed flanges (ex. AMP664CCLF)

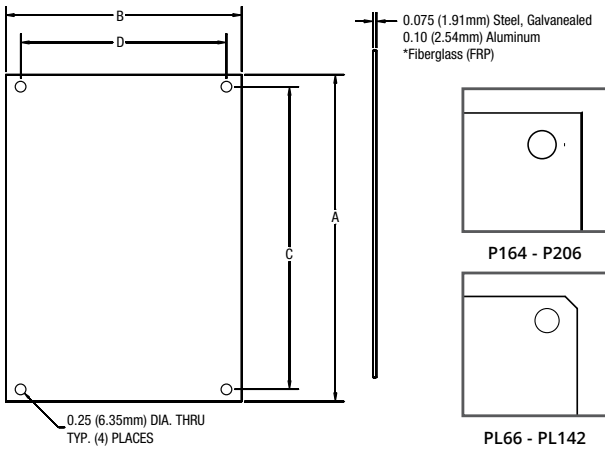
Data subject to change without notice



## Back Panels

Small Junction Boxes		
Optional Aluminum / Fiberglass Back Panel		
Part No.	Height	Width
PA74, PF74	4.00	3.13
	102mm	80mm
PA94, PF94	6.25	3.13
	159mm	80mm

All dimensions are in inches unless otherwise noted.  
 "PA" denotes aluminum, "PF" denotes fiberglass  
 Thickness; "PA" (.100) "PF" (.125)

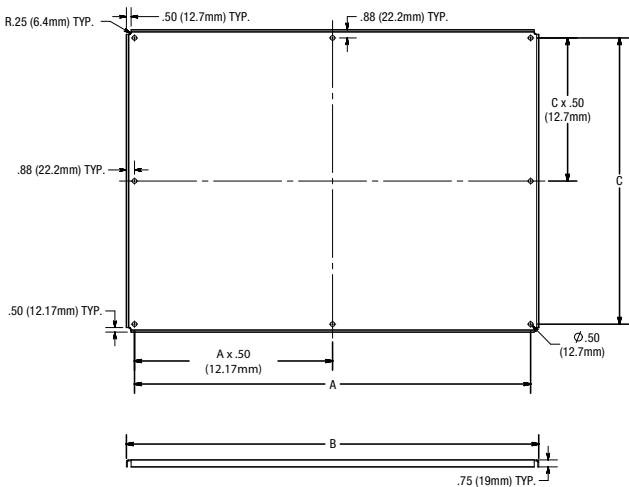
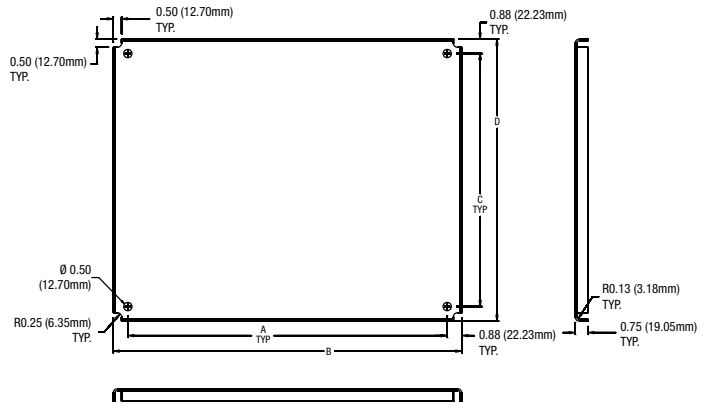


Optional Back Panel Base Part #'s	
Prefix	Material Description
P, PL	White Painted Carbon Steel
PA, PLA	Aluminum
PF	Fiberglass
PG	Galvannealed

AM, AMHD, AMU, AM-R Series (JIC Sizes)							
Steel	Alum	FRP	Galv	A	B	C	D
PL66 (Replaces P66)	PLA66 (Replaces PA66)	PF66	PG66	4.81	4.81	4.25	4.25
				122mm	122mm	108mm	108mm
PL86 (Replaces P86)	PLA86 (Replaces PA86)	PF86	PG86	6.75	4.88	6.25	4.25
				171mm	124mm	159mm	108mm
PL108 (Replaces P108)	PLA108 (Replaces PA108)	PF108	PG108	8.75	6.88	8.25	6.25
				222mm	175mm	210mm	159mm
PL120 (Replaces P120)	PLA120 (Replaces PA120)	PF120	PG120	10.75	8.88	10.25	8.25
				273mm	226mm	260mm	210mm
PL122	PLA122	PF122	PG122	10.75	10.75	10.25	10.25
				273mm	273mm	260mm	260mm
PL142 (Replaces P142)	PLA142 (Replaces PA142)	PF142	PG142	12.75	10.88	12.25	10.25
				324mm	276mm	311mm	260mm
P164	PA164	PF164	PG164	14.75	12.88	14.25	12.25
				375mm	327mm	362mm	311mm
P186	PA186	PF186	PG186	16.88	14.88	16.25	14.25
				429mm	378mm	413mm	362mm
P206	PA206	PF206	PG206	18.44	14.44	17.81	13.81
				468mm	367mm	452mm	351mm

Fiberglass panel thickness: (0.125") PF66, PF86, PF108; (0.187") PF120, PF142, PF164; (0.250") PF186, PF206

Control Series							
Steel	Alum	FRP	Galv	A	B	C	D
P2420	PA2420	PF2420	PG2420	19.25	21.00	15.25	17.00
				489mm	533mm	387mm	432mm
P2424	PA2424	PF2424	PG2424	19.25	21.00	19.25	21.00
				489mm	533mm	489mm	533mm
P3024	PA3024	PF3024	PG3024	25.25	27.00	19.25	21.00
				641mm	686mm	489mm	533mm



Empire Series				
Steel	A	B	C	D
P3630CS	31.24	33.00	25.24	27.00
	793mm	838mm	641mm	686mm
P3636CS	31.24	33.00	31.24	33.00
	793mm	838mm	793mm	838mm
P4836CS	43.24	45.00	31.24	33.00
	1,098mm	1,143mm	793mm	838mm
P6036CS	55.24	57.00	31.24	33.00
	1,403mm	1,448mm	793mm	838mm

Refer to key above for back panel material type

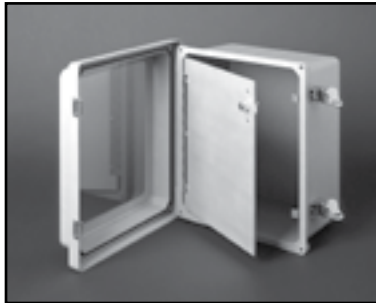
# AM-R Series: Aluminum Hinged Front Panels

*HFP – Used with raised cover only*

## FEATURES:

- Panels designed to offer both a professional instrumentation display and a protective covering for electric wiring inside the enclosure
- Completely field-installable panel design with no required enclosure modifications
- Latch design secures panel in place with one-quarter turn
- One-half-inch adjustability up or down
- For use with raised cover enclosures from 6" x 6" through 30" x 24"
- Panel modifications available include: cut-in holes and screen printing
- Compliant with RoHS directive

AM-R Control Series	
Part No.	Panel Dim. (H x W x D)
HFP2420	23.25 x 19.375 x .09
	591mm x 492mm x 2.3mm
HFP2424	23.38 x 23.25 x .09
	594mm x 591mm x 2.3mm
HFP3024	29.25 x 23.38 x .09
	743mm x 594mm x 2.3mm
HFP4032	37.00 x 28.50 x .09
	940mm x 724mm x 2.3mm



Note: Please refer to website [www.alliedmoulded.com](http://www.alliedmoulded.com) for installed HFP drawings and dimensional information.

AM-R JIC Series	
Part No.	Panel Dim. (H x W x D)
HFP66	5.60 x 5.60 x .09
	142mm x 142mm x 2.3mm
HFP86	7.50 x 5.63 x .09
	191mm x 143mm x 2.3mm
HFP108	9.50 x 7.50 x .09
	241mm x 191mm x 2.3mm
HFP120	11.50 x 9.50 x .09
	292mm x 241mm x 2.3mm
HFP122	11.50 x 11.50 x .09
	292mm x 292mm x 2.3mm
HFP142	13.50 x 11.50 x .09
	343mm x 292mm x 2.3mm
HFP164	15.50 x 13.50 x .09
	394mm x 343mm x 2.3mm
HFP186*	17.63 x 15.63 x .09
	448mm x 397mm x 2.3mm
HFP206	19.25 x 15.25 x .09
	489mm x 387mm x 2.3mm

\*Standard HFP186 doesn't fit in AMHD product.

# AMU Series: Aluminum Hinged Front Panels

*HFPU*

## FEATURES:

- Panels designed to offer both a professional instrumentation display and a safety divider for electric wiring inside the enclosure
- Completely field-installable panel design. Installation instruction sheet included.
- Latch design secures panel in place with one-quarter turn
- For use with enclosures from 6" x 6" through 20" x 16"
- Panel modifications available include: cut-in holes and screen printing
- Compliant with RoHS directive



Note: Please refer to website [www.alliedmoulded.com](http://www.alliedmoulded.com) for installed HFPU drawings and dimensional information.

AMU JIC Series	
Part No.	Panel Dim. (H x W x D)
HFPU66	5.64 x 5.87 x .09
	143mm x 149mm x 2.3mm
HFPU86	7.74 x 5.91 x .09
	197mm x 150mm x 2.3mm
HFPU108	9.64 x 7.87 x .09
	245mm x 200mm x 2.3mm
HFPU120	11.50 x 9.61 x .09
	292mm x 244mm x 2.3mm
HFPU142	13.49 x 11.60 x .09
	343mm x 295mm x 2.3mm
HFPU164	15.46 x 13.58 x .09
	393mm x 345mm x 2.3mm
HFPU186	17.62 x 15.72 x .09
	448mm x 399mm x 2.3mm
HFPU206	19.38 x 15.44 x .09
	492mm x 392mm x 2.3mm

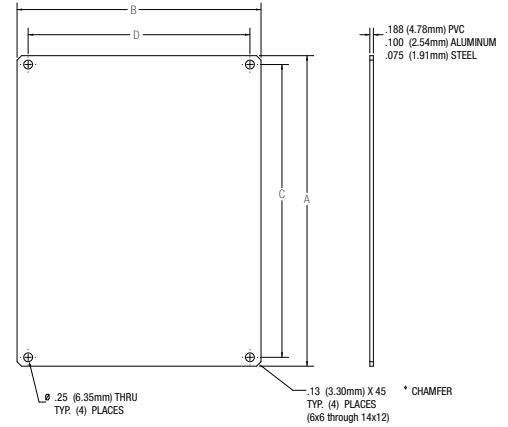
Note: Empire series panels are 0.1046" in thickness.



## POLYLINE® Series Optional Back Panels:

“PL” Painted White Carbon Steel or “PLA” Aluminum

POLYLINE® Series						
STEEL (P/N)	ALUM (P/N)	PVC (P/N)	A	B	C	D
PL44	PLA44	PLPVC44	3.56	3.56	3.00	3.00
			90mm	90mm	76mm	76mm
PL66	PLA66	PLPVC66	4.81	4.81	4.25	4.25
			122mm	122mm	108mm	108mm
PL86	PLA86	PLPVC86	6.75	4.88	6.25	4.25
			171mm	124mm	159mm	108mm
PL88	PLA88	PLPVC88	6.75	6.88	6.25	6.25
			171mm	175mm	159mm	159mm
PL108	PLA108	PLPVC108	8.75	6.88	8.25	6.25
			222mm	175mm	210mm	159mm
PL120	PLA120	PLPVC120	10.75	8.88	10.25	8.25
			273mm	226mm	260mm	210mm
PL122	PLA122	PLPVC122	10.75	10.75	10.19	10.06
			273mm	273mm	259mm	256mm
PL142	PLA142	PLPVC142	12.75	10.88	12.25	10.25
			324mm	276mm	311mm	260mm
P164	PA164	PLPVC164	14.75	12.88	14.25	12.25
			375mm	327mm	362mm	311mm
P186	PA186	PLPVC186	16.88	14.88	16.25	14.25
			429mm	378mm	413mm	362mm
PL206	PLA206	PLPVC206	18.44	14.44	17.81	13.81
			468mm	367mm	452mm	351mm

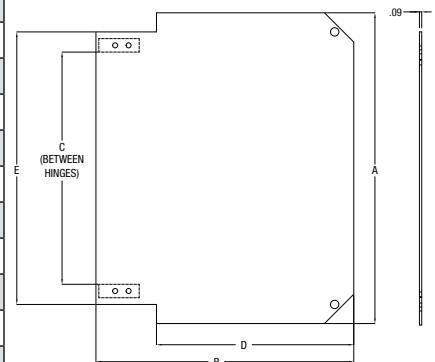


All dimensions are in inches unless otherwise noted.

## POLYLINE® Series Optional Adjustable Hinged Front Panels:

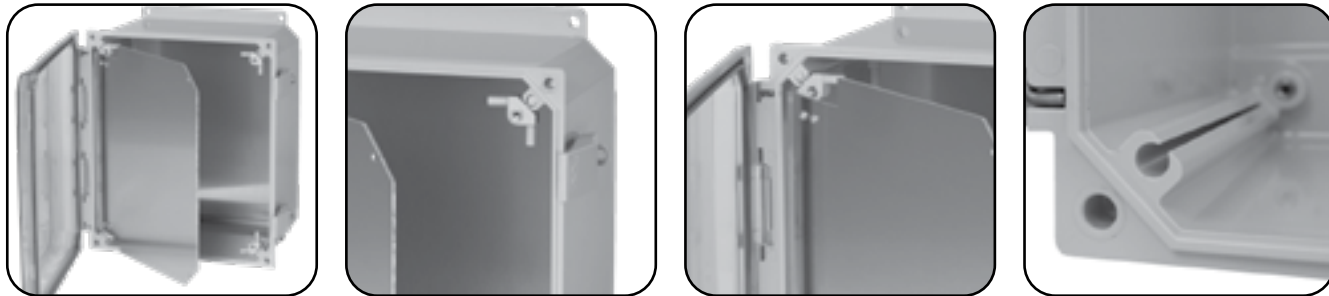
“HFPP” Aluminum Panel Systems

HFPP Kit (P/N)	Enc. Base (P/N)	A	B	C	D	E
HFPP66	AMP664	5.44	5.61	2.64	3.36	4.19
		138mm	142mm	67mm	85mm	106mm
HFPP86	AMP864	7.44	5.61	4.67	3.36	6.19
		189mm	142mm	119mm	85mm	157mm
HFPP88	AMP884	7.44	7.63	4.64	5.38	6.19
		189mm	194mm	118mm	137mm	157mm
HFPP108	AMP1084 AMP1086	9.43	7.63	6.63	5.38	8.18
		239mm	194mm	168mm	137mm	208mm
HFPP120	AMP1204 AMP1206	11.55	9.58	8.63	7.33	10.13
		293mm	243mm	219mm	186mm	257mm
HFPP1212	AMP1226	11.77	11.58	7.64	9.33	9.64
		298.96mm	294.13mm	194.06mm	236.98mm	244.86mm
HFPP142	AMP1426	13.10	11.25	10.61	9.00	11.75
		333mm	286mm	269mm	229mm	298mm
HFPP164	AMP1648	14.75	12.88	12.23	12.13	13.44
		375mm	327mm	245mm	289mm	339mm
HFPP186	AMP1860	16.88	14.88	14.19	14.13	15.44
		429mm	378mm	295mm	340mm	393mm
HFPP206	AMP2060	18.44	14.55	15.74	13.80	16.94
		468.30mm	369.49mm	399.80mm	350.44mm	430.20mm

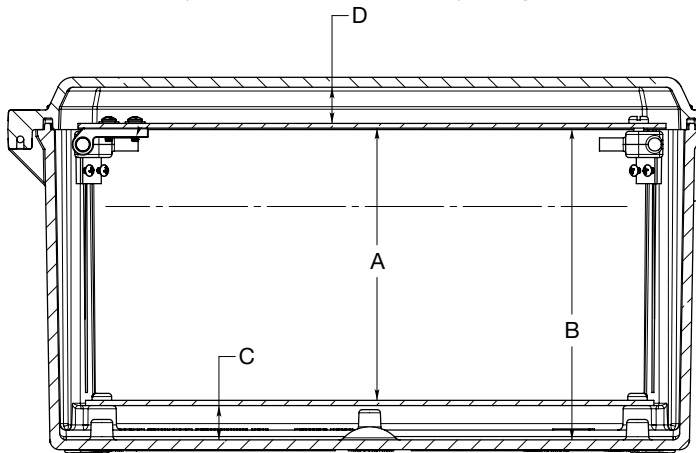


All dimensions are in inches unless otherwise noted.

# POLYLINE® Series Adjustable Hinged Front Panels Installed:



Pictures represent enclosure sizes 6"x6" up through 14"x12".



	Enclosure Used With	Optional Aluminum Back Panel	Optional Aluminum Back Panel	Optional Steel Back Panel	Optional Steel Back Panel	Without Optional Back Panel	Without Optional Back Panel	C=BOTTOM to Panel Mount Bosses	D=Hinged Front Panel to Inside Cover	D=Hinged Front Panel to Inside Cover
	(Base P/N)	A (MAX.)	A (MIN.)	A (MAX.)	A (MIN.)	B (MAX.)	B (MIN.)		(MIN.)	(MAX.)
HFPP66	AMP664	3.21 82mm	1.71 43mm	3.24 82mm	1.74 44mm	3.96 101mm	2.47 63mm	.66 17mm	.76 19mm	2.26 57mm
HFPP86	AMP864	3.22 82mm	1.72 44mm	3.25 83mm	1.75 44mm	3.96 101mm	2.46 62mm	.66 17mm	.76 19mm	2.26 57mm
HFPP88	AMP884	3.21 82mm	1.71 43mm	3.24 82mm	1.74 44mm	3.96 101mm	2.46 62mm	.66 17mm	.76 19mm	2.26 57mm
HFPP108	AMP1082	1.81 46mm	.31 8mm	1.84 47mm	.34 9mm	2.56 65mm	1.06 27mm	.66 17mm	.76 19mm	2.26 57mm
HFPP108 HFPP120 HFPP1212	AMP1084 AMP1204	3.21 82mm	1.71 43mm	3.24 82mm	1.74 44mm	3.96 101mm	2.46 62mm	.66 17mm	.76 19mm	2.26 57mm
HFPP108 HFPP120 HFPP1212	AMP1086 AMP1206 AMP1226	5.21 132mm	3.71 94mm	5.24 133mm	3.74 95mm	5.96 151mm	4.47 114mm	.66 17mm	.76 19mm	2.38 60mm
HFPP142	AMP1426	5.21 132mm	3.71 94mm	5.24 133mm	3.74 95mm	5.96 151mm	4.47 114mm	.66 17mm	.76 19mm	2.19 56mm
HFPP164	AMP1648	6.95 177mm	1.25 32mm	6.98 177mm	1.28 33mm	7.72 196mm	2.02 51mm	.66 17mm	1.19 30mm	6.89 175mm
HFPP186 HFPP206	AMP1860 AMP2060	8.95 227mm	1.25 32mm	8.98 228mm	1.28 33mm	9.72 247mm	2.02 51mm	.66 17mm	1.19 30mm	8.89 226mm

All dimensions are in inches unless otherwise noted  
Data subject to change without notice



# Inspection Windows

## INSPECTION WINDOW KIT

Allied Moulded's new inspection window kits are designed to provide visibility and easy viewing access to equipment and components installed in an enclosure, while maintaining ratings up through NEMA Type 4X. The window kit features a strong and rigid design, securely mounting to the outside of most enclosure designs. The window kit is available in three convenient sizes to allow for sufficient viewing space in any required application.

BASE P/N AMHMI



### Application

Ideal for providing a convenient viewable area not accessible to equipment and components installed inside an enclosure

- Especially well suited for high temperature or corrosive environments
- Includes mounting hole pattern for easy window installation
- Protects from UV, dirt, dust, oil, and water

### Standards

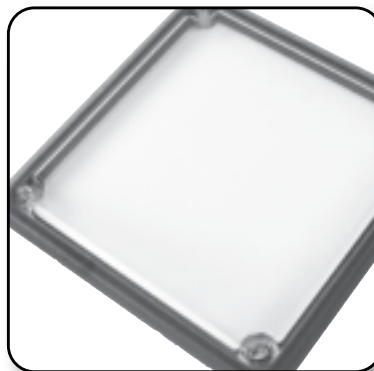
- Recognized component for use with enclosures rated NEMA Types 1, 3, 3R, 4, 4X, 12 or 13

### Construction

- Clear polycarbonate thermoplastic
- UV stabilized for outdoor use
- Formed-In-Place (FIP) polyurethane gasket encased in continuous channel
- Designed for use with wall thicknesses from 16 gauge through 1/4"
- #10-32 threaded brass inserts with plated steel mounting fasteners
- Convenient sizes for easy viewing access to a variety of enclosure applications



**Formed-In-Place (FIP) Gasket**

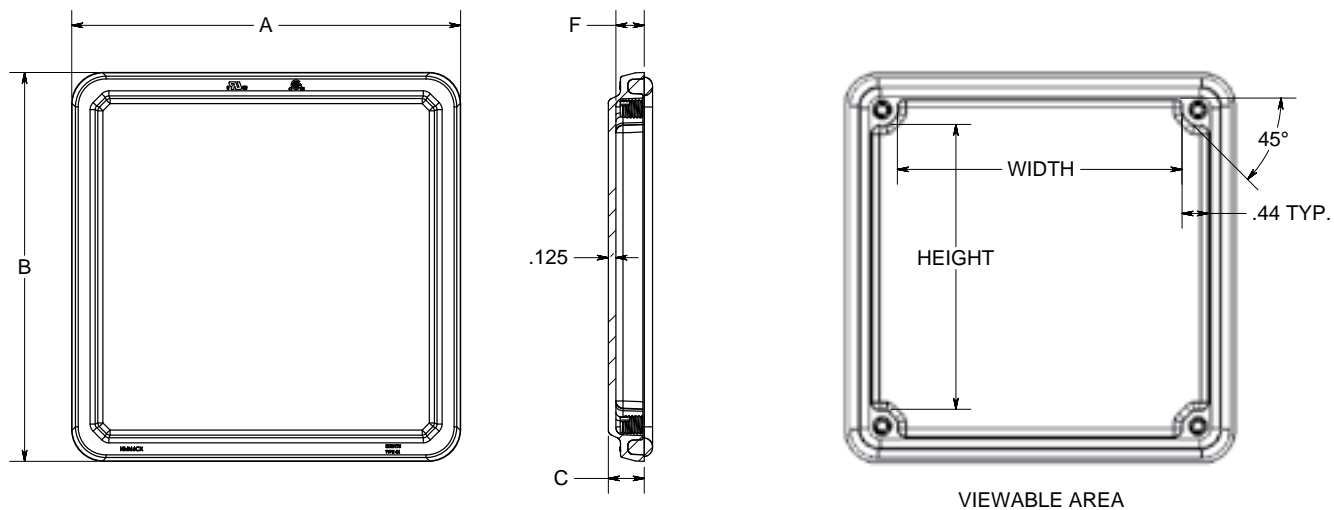


**Aesthetically Pleasing Design**



**Threaded Brass Inserts**

For a full description of features and benefits, visit our website at [www.AlliedMoulded.com](http://www.AlliedMoulded.com)



Note: For use on flat surfaces of NEMA Types 1, 3, 3R, 4, 4X, 12 or 13 enclosures

Part No.	Frame Size Inside Dimensions			Usable Depth F	Max Viewing Area		Nom. Wall Thickness
	A	B	C		Width	Height	
AMHMI66CX	6.5	6.5	0.6	0.47	5.64	5.64	0.125
	165mm	165mm	15mm	12mm	143mm	143mm	3mm
AMHMI95CX	7.25	10	0.6	0.47	5.55	9.14	0.125
	184mm	254mm	15mm	12mm	141mm	232mm	3mm
AMHMI138CX	9.7	14.7	0.6	0.47	8	13	0.125
	246mm	373mm	15mm	12mm	203mm	330mm	3mm

All dimensions are in inches unless otherwise noted



# HMI Cover Kits

## HUMAN MACHINE INTERFACE

Allied Moulded's new HMI cover kits are designed to provide protection for instruments or electronics requiring routine attention or detail. The cover kit features a strong and rigid design, mounting securely to the outside of any enclosure option, and makes accessibility to electronic components easy!

HMI cover kits are UL<sup>®</sup> recognized and maintain a NEMA 4X seal with the use of our Formed-In-Place (FIP) polyurethane gasket system, and is well suited for outdoor applications. Multiple cover latching options are also available, including a hinge screw, tamper proof screw, and snap latch model. All are available in solid opaque or polycarbonate thermoplastic clear covers.



BASE P/N AMHMI

### Application

Ideal for covering and protecting instruments or electronics through an enclosure wall, while maintaining all applicable standards and classifications

- No need to open the enclosure to view electronics or perform maintenance, decreasing arc flash risks and safety hazards
- Includes mounting hole pattern for easy cover kit installation
- Protects from UV, dirt, dust, oil, and water

### Standards

- Recognized component for use with enclosures rated NEMA Types 1, 3, 3R, 4, 4X, 12 or 13

### Construction

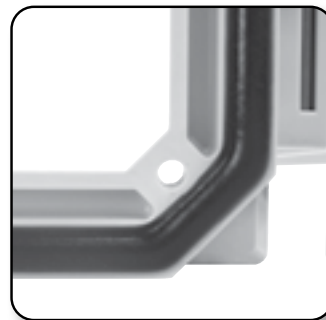
- Clear polycarbonate thermoplastic, or polycarbonate for opaque covers
- 316 stainless steel external cover latching hardware and hinge pin
- 316 stainless steel snap latches feature padlock hasp (.354" dia.)
- UV stabilized for outdoor use
- Formed-In-Place (FIP) polyurethane gasket in continuous channel
- Designed for use with wall thicknesses from 16 gauge through 1/4"
- #10-32 threaded brass inserts with plated steel mounting fasteners



Cover Latching Options



Secure Hinge Pin



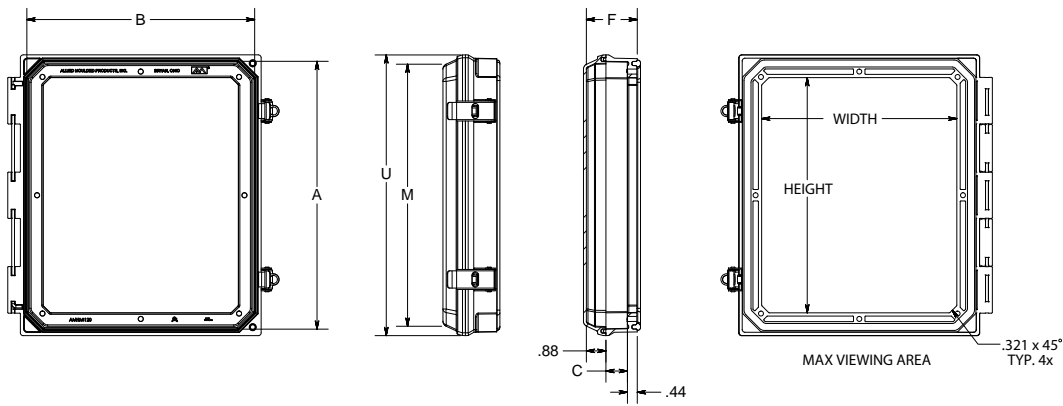
Formed-In-Place (FIP) Gasket



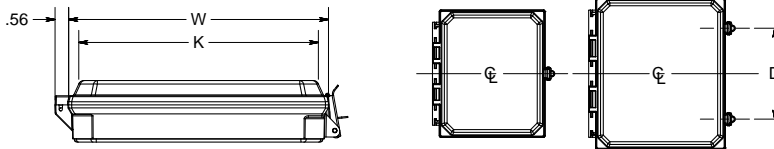
Prop Arm Accessory

For a full description of features and benefits, visit our website at [www.AlliedMoulded.com](http://www.AlliedMoulded.com)





LATCH LOCATIONS



Note: For use on flat smooth surfaces of NEMA Types 1, 3, 3R, 4, 4X, 12 or 13 enclosures

FOR USE ON	FOR USE ON
6X6	12x10 D=7.5 (191mm)
8X6	14x12 D=8.00 (203mm)
8X8	16x14 D=9.00 (229mm)
10X8	20x16 D=16.81 (427mm)

Part No. Configuration Options	
Part No. Suffix	Description
CCH	Clear Cover Hinge / 2 Screws
CCHTP	Clear Cover Hinge Tamper Proof Screw
CCL	Clear Cover Hinge Snap Latch
H	Opaque Cover Hinge / 2 Screws
HTP	Opaque Cover Hinge Tamper Proof Screw
L	Opaque Cover Hinge Snap Latch

Prop Arm Size Configuration	
HMI Size	Part No.
6" x 6"	AMHMIPROP66
8" x 6"	AMHMIPROP86
8" x 8"	AMHMIPROP88
10" x 8"	AMHMIPROP108
12" x 10"	AMHMIPROP120
14" x 12"	AMHMIPROP142
16" x 14"	AMHMIPROP164
20" x 16"	AMHMIPROP206

Base Part No.	Frame Size Inside Dimensions			Usable Depth	Cover Size				Max Viewing Area		Nom. Wall Thickness
	A	B	C		F	K	M	W	U	Width	
AMHMI66	5.93	6.15	0.96	2.27	5.43	5.21	6.72	6.50	4.69	4.47	0.14
	151mm	156mm	24mm	58mm	138mm	132mm	171mm	165mm	119mm	114mm	4mm
AMHMI86	7.93	6.15	0.96	2.27	5.43	7.21	6.72	8.50	4.69	6.47	0.14
	201mm	156mm	24mm	58mm	138mm	183mm	171mm	216mm	119mm	164mm	4mm
AMHMI88	7.93	8.15	0.96	2.27	7.75	7.53	8.72	8.5	6.69	6.47	0.14
	201mm	207mm	24mm	58mm	197mm	191mm	221mm	216mm	170mm	164mm	4mm
AMHMI108	9.93	8.15	0.96	2.27	7.89	9.67	8.72	10.5	6.69	8.47	0.14
	252mm	207mm	24mm	58mm	200mm	246mm	221mm	267mm	170mm	215mm	4mm
AMHMI120	11.93	10.15	0.96	2.27	9.89	11.67	10.72	12.5	8.69	10.47	0.14
	303mm	258mm	24mm	58mm	251mm	296mm	272mm	318mm	221mm	266mm	4mm
AMHMI142	13.95	12.07	0.96	2.2	11.89	13.67	12.72	14.5	10.71	12.49	0.19
	354mm	307mm	24mm	56mm	302mm	347mm	323mm	368mm	272mm	317mm	5mm
AMHMI164	15.87	14.07	0.96	2.2	13.89	14.72	14.72	16.5	12.71	14.49	0.19
	403mm	357mm	24mm	56mm	353mm	374mm	374mm	419mm	323mm	368mm	5mm
AMHMI206	19.85	16.07	0.96	2.27	15.75	19.53	16.72	20.5	14.71	18.49	0.19
	504mm	408mm	24mm	58mm	400mm	496mm	425mm	521mm	374mm	470mm	5mm

All dimensions are in inches unless otherwise noted  
 Base part number listed only. To complete part number, refer to the "Part # Suffix" chart above  
 Add the "Part No. Suffix" to the base part number to create a complete HMI cover kit (ex. AMHMI120CCL is a 12" x 10" with a clear cover and latch)  
 Refer to website for complete mounting hole pattern configuration

Data subject to change without notice



# Hole Plug Assemblies

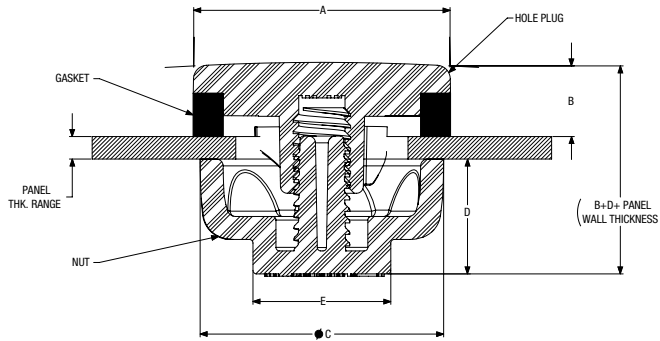
## ULTRAPLUG® HOLE PLUGS

- Plug "Fins": self centering, anti-rotational design for fast & easy one person plug assembly and no-tools tightening
- Plug fits wide range of hole sizes without the use of restrictive hole centering spacers
- Patented design: US Patent No. 9,045,932
- Recognized component for use with UL listed enclosure products
- Molded material of construction for a wide range of chemical compatible applications (polycarbonate with neoprene/EPDM gasket)
- Assembly designed to maintain applicable NEMA/UL enclosure ratings  
Note: For use on flat surfaces of a Type 1, 3R, 4, 4X or 12 enclosure
- Designed for use with wall thicknesses from 16 gauge through 1/4"
- Designed for use with all metallic and nonmetallic enclosure materials
- Low profile interior nut and exterior plug saves valuable panel space
- Capable of sealing unused holes ranging in size from 1/2" to 4-3/4"



### Simple Install

- 1) Push/Plug
- 2) Twist-lock/Fins
- 3) Screw-tight/Nut



Note: For use on flat surface of NEMA Types 1, 3R, 4, 4X and 12 enclosures.

P/N General Purpose Polycarbonate RAL 7035 Light Gray	P/N General Purpose Polycarbonate ANSI 61 Dark Gray	Trade Size Ref. (nom. In.)	Plugged Hole Dia. Range (In.)	Wall Thickness Range (In.)	A Plug Diameter (In.)	B Plug Head Height (In.)	C Nut Diameter (In.)	D Nut Height (In.)	E Across Flats (In.)
AMHSPL-S	AMHSPL-SGY	Pilot Light (.500)	.500-.624	.059-.250	1.120	0.235	1.060	0.500	0.545
AMHSPL	AMHSPL-GY	Pilot Light (.625)	.625-.812	.059-.250	1.120	0.235	1.060	0.500	0.545
AMHS050	AMHS050-GY	1/2" Conduit (.875) 22mm PB (.886)	.812-.937	.059-.250	1.245	0.235	1.185	0.500	0.605
AMHS075	AMHS075-GY	3/4" Conduit (1.109) 30mm PB (1.210)	1.000-1.312	.059-.250	1.620	0.235	1.560	0.500	0.945
AMHS100	AMHS100-GY	1" Conduit (1.375)	1.375-1.625	.059-.250	1.923	0.235	1.873	0.500	0.945
AMHS125	AMHS125-GY	1-1/4" Conduit (1.734)	1.687-1.875	.059-.250	2.183	0.235	2.123	0.500	1.195
AMHS150	AMHS150-GY	1-1/2" Conduit (1.984)	2.000-2.187	.059-.250	2.495	0.235	2.435	0.500	1.195
AMHS200	AMHS200-GY	2" Conduit (2.469)	2.500-2.75	.059-.250	3.120	0.235	3.060	0.750	1.291
AMHS250	AMHS250-GY	2-1/2" Conduit (2.969)	2.875-3.125	.059-.250	3.495	0.235	3.435	0.750	1.491
AMHS300	AMHS300-GY	3" Conduit (3.594)	3.500-3.750	.059-.250	4.120	0.235	4.060	0.750	1.491
AMHS350	AMHS350-GY	3-1/2" Conduit (4.125)	4.000-4.250	.059-.250	4.620	0.235	4.560	0.750	1.491
AMHS400	AMHS400-GY	4" Conduit (4.641)	4.500-4.750	.059-.250	5.120	0.235	5.060	0.750	1.491

Polycarbonate (PC) can be used as a substitute for carbon steel plug applications plus many stainless steel and other nonmetallic plug applications. Please check industry standard corrosion guides for additional application assistance.

# Pole Mount Kits

## ENCLOSURE POLE MOUNT

Allied Moulded's Pole Mount Kit offers the ability to mount enclosures including sizes 6" x 6" x 4" through 60" x 36" x 16" to any wood, plastic, or steel pole securely without excessive materials and labor.

Manufactured with the electrical contractor in mind, Allied Moulded's Pole Mount Kit provides an easy solution for all enclosures. Not only is it designed for round poles, but the pole mount kits have the capability to mount enclosures to square and rectangular pole shapes as well.



### Application

- Nine sizes covering AM JIC, AMU JIC, AMP, and Control Series enclosures
- Steel band design allows for adjustable mounting capability on pole sizes up through 15 inches in diameter
- Allied Moulded pole mount kits have the capability to mount enclosures to round, square, and rectangular pole shapes
- Fewer parts are used so minimal assembly is required for installation
- Pole mount kits offer corrosion protection for outdoor use

### Construction

- Pole mount flange: galvanized steel; 14 gauge (.075")
- Pole mount band clamps: 316 stainless steel (48")
- Flange fasteners (screws, washers, and lock nuts): 316 stainless steel (#10-32)



ENCLOSURE POLE MOUNT KITS ARE USED WITH			
Kit Number	AM Series Units <sup>1</sup>		AMU & AMP Flange Mount Units <sup>2</sup>
	Standard Mount	Rotated 90 Degrees	Standard Mount
AMPOLEMNT6	AM664, AM864	None	AMU(P)664, AMU(P)864
AMPOLEMNT8	AM1084, AM1086	AM864	AMP884, AMP1082, AMU(P)1084, AMU(P)1086
AMPOLEMNT10	AM1206	AM1084, AM1086	AMP1204, AMU(P)1206
AMPOLEMNT12	AM1224, AM1226, AM1426	AM1206	AMU(P)1426, AMP1226
AMPOLEMNT14	AM1648	AM1224, AM1226, AM1426	AMU1648
AMPOLEMNT16	AM1868, AM2068	AM1648	AMU(P)1860, AMHD1860, AMU(P)2060
AMPOLEMNT20	AM2420	None	None
AMPOLEMNT24	AM2424, AM3024	AM2420	None
AMPOLEMNTMP	AMEC363012, AM363016, AM363612, AM363616, AM483612, AM483616, AM603612, AM603616		

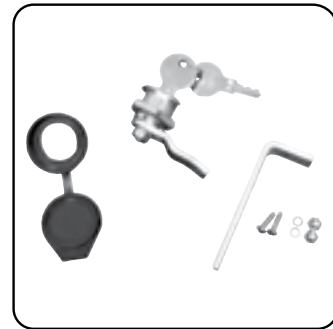
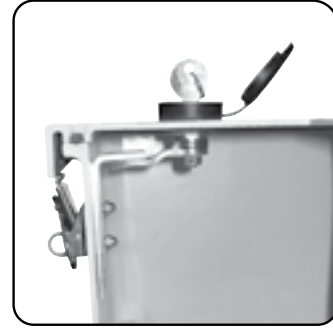
<sup>1</sup> Pole mount brackets are directly mounted to the back of these enclosures.

<sup>2</sup> Enclosure flange is bolted through and attached to the pole mount bracket on these enclosures.

# Enclosure Keylock Kits

**PART NO.: AMKEYLOCKFC, AMKEYLOCKRC, and AMKEYLOCKRCHFP**

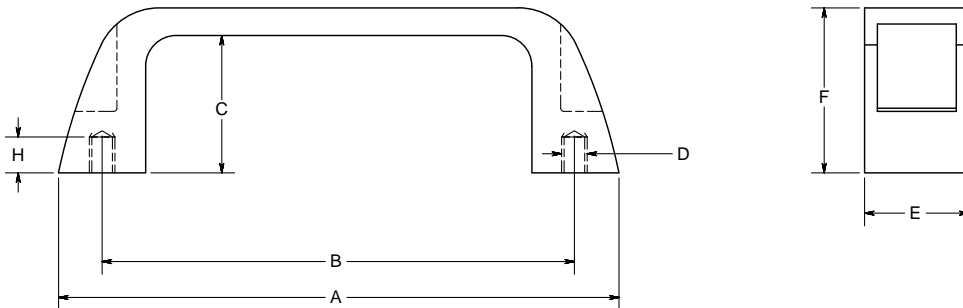
- AMKEYLOCKFC keylock assembly kit for (F)flat (C)cover enclosures 6x6 through 20x16 (AM Series)
- AMKEYLOCLKRC keylock assembly kit for (R)raised (C)cover enclosures 6x6 through 30x24 (AM-R Series)
- AMKEYLOCKRCHFP keylock assembly kit for (R)raised (C)cover enclosures with a (H)hinge (F)front (P)panel installed in enclosures 10x8 through 30x24 (AM-R Series)
- Kits include: Two keys, keylock assembly, cam, dust cover, lock bracket, and hardware
- Field installable while requiring only a round hole to be cut into the cover
- Keylocks are sold with a self locking nut for tight and secure assembly
- Just a 1/4 turn rotation is required to lock the enclosure cover
- Installed keylock assemblies have been tested and pass the NEMA 4X watertight test
- Manufactured components are RoHS compliant (Restriction of Hazardous Substances)



# Pull Type Handle

**PART NO.: AMHDL001**

- Handle: Glass fiber reinforced nylon
- Finish: Black matte
- Screws and lock washers included



Part No.	A	B	C	D	E	F	H
AMHDL001	5.47	4.61	1.34	1/4 - 20	1.02	1.61	0.35
	139mm	117mm	34mm	---	26mm	41mm	9mm

## Enclosure Print Pocket

### PART NO.: AMPRINTPOCKET

- Easy to install in the field
- Store prints or other important documents inside the enclosure
- Gray polystyrene print pocket for large JIC Series, Control Series, and Empire Series enclosures
- Two-sided adhesive tape pre-applied to print pocket
- Size: 9.375 in (H) x 10.375 in (W) x 1.045 in (D)  
238 mm (H) x 264 mm (W) x 27 mm (D)



## Enclosure Ventilation Kit

### PART NO.: AMVENTSM, AMVENTLG & AMVENT4XLG

- Gray polyamide material (4X vent kit made from polycarbonate)
- Use with JIC Series enclosures - install two per enclosure
- Installation instruction sheet included
- Seal included in kit to ensure raintight enclosure protection (4X - FIP gasket)
- Two vents per kit for field installation allows for sufficient air circulation and prevents condensation and moisture
- 4X vent kit maintains enclosures NEMA 4X rating with the use of innovative vent baffles, allowing air flow while reducing condensation and heat within the enclosure



#### Overall Dimensions:

AMVENTSM; 1 in (25 mm) x 1.125 in (29 mm) and requires .75 in (19mm) through hole  
AMVENTLG; 2 in (51 mm) x 2.675 in (68 mm) and requires 1.156 in (29 mm) through hole  
AMVENT4XLG; 4 in (106mm) x 3 in (75mm) and requires 1 in (25mm) through hole



## Enclosure Filter Kit

### PART NO.: AMPFA1000, AMPFA2000, and AMPFA3000

- Three sizes covering large JIC Series, Control Series, and Empire Series enclosures
- Nonmetallic made from strong ABS-FR, self-extinguishing material (UL 94 VO)
- Snap-in design allows for hardware-free installation
- Gaskets included provide a NEMA 12 seal against the enclosure
- Filter cover comes standard in light gray RAL 7035 color
- Installation instruction sheet included
- Replaceable filter material provides for 73% filtration efficiency
- Filter density is standard 150 (g/m2)



#### Size Information:

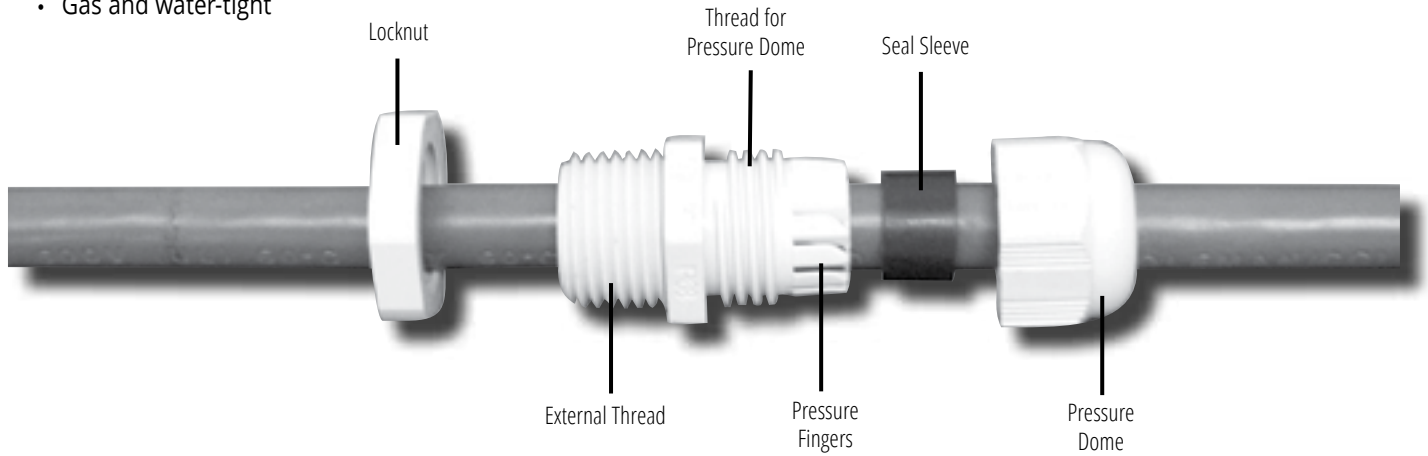
- AMPFA1000; 4.133 in (105mm) x 4.133 in (105mm) x 0.39 in (10mm)
- AMPFA2000; 5.905 in (150mm) x 5.905 in (150mm) x 1.06 in (27mm)
- AMPFA3000; 9.842 in (250mm) x 9.842 in (250mm) x 1.18 in (30mm)

*Note: There are other thermal management accessories available upon request. These include: Fans, replacement filters, heaters, air-conditioners, and thermostats. Please contact factory for more information.*

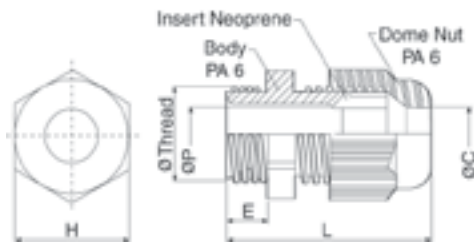


## Cord Grips

- Body: Polyamide 6
- Seal: Neoprene
- Lock Nut: 25% glass fiber reinforced Polyamide 6
- Color: Light Gray
- Maximum strain relief through clamping range
- IP68 achieved without seal rings
- Trapezoidal thread with high torque guarantees tight and permanent fit of the dome nut
- Gas and water-tight
- UL listed
- Temp range: PA 6 -40°C to 100°C (-40°F to 212°F)  
Neoprene -25°C to 100°C (-13 to 212°F)
- Recommended enclosure hole size for external thread:  
**NPT 1/2"** 21.8mm (.8594 in); **NPT 3/4"** 27.4mm (1.0781 in);  
**NPT 1"** 34.1mm (1.3438 in)



## Cord Grip Dimensions



Thread Size	Part Number	Clamping Range (mm)	Package Quantity	H (mm)	E (mm)	L (mm)	Dia. C (mm)	Dia. P (mm)	Dia. NPT/M (mm)
NPT 1/2"	5308901	5 to 12	50	24	14	44	12.5	12.5	21.2
NPT 3/4"	5308902	9 to 18	50	33	15	54	18.5	18.5	26.7
NPT 1"	5308903	14 to 25	50	42	18	60	25.5	25.5	33.3

### LOCK NUT DIMENSIONS

Thread Size	Part Number	Package Quantity	Thickness E (mm)	SW (mm)
NPT 1/2"	7211486-50	50	6	27
NPT 3/4"	7211487	20	7	36
NPT 1"	7211488	20	7	41



# ACCESSORY KITS

## LATCH HARDWARE KITS

- Used with AM, AM-R, AMP, and AMU Series enclosures, and HMI cover kits
- Feature a multitude of snap and twist latch mechanisms
- Available for both flat and raised cover enclosures
- Nonmetallic latches match standard RAL 7035 color



LLRS-H



LLPN-H



LLKR-H316



LTPS-H

Size Range	Used With	Kit Description	Part #
6x6 thru 20x16	AM Series	316 stainless steel snap latch with keeper and hardware kit (rivot)	LLK-H316
6x6 thru 20x16	AM Series	316 stainless steel twist latch with keeper and hardware kit (rivot)	LTK-H316
6x6 thru 30x24	AM-R Series	316 stainless steel snap latch kit for raised cover (rivot, screw)	LLKR-H316
6x6 thru 30x24	AM-R Series	316 twist latch for raised cover with keeper and hardware kit (rivot, screw)	LTKR-H316
10x8x2	AMP Series	316 stainless steel reverse snap latch kit (slip-on)	LLRS-H
8x8 thru 20x16	HMI Series	316 stainless steel reverse snap latch kit (slip-on)	LLRS-H
6x6 thru 20x16	AMP / AMU Series	Polycarbonate snap latch kit (slip-on)	LLPN-H
6x6 thru 20x16	AMP / AMU Series	316 stainless steel snap latch kit (slip-on)	LLPS-H
6x6 thru 20x16	AMP / AMU Series	316 stainless steel twist latch kit (slip-on)	LTPS-H

## MOUNTING FOOT / BRACKET KITS

- Used with small junction boxes, AM, AM-R, Control Series, AMU, and AMP series enclosures
- 4 screws and 4 feet per pack
- Nonmetallic feet match standard RAL 7035 color

Size Range	Used With	Kit Description	Part #
AM743 and AM943	AM743 and AM943	316 stainless steel foot kit with 4 screws, 4 washers, and 4 screws	AM4-PFSN
6x6 thru 20x16	AM / AM-R	316 stainless steel foot kit with 4 screws and 4 feet	AM4-NFS
24x20 thru 30x24	Control Series	316 stainless steel foot kit with 4 screws and 4 feet	AM4-NLFS
6x6 thru 14x12	AMU / AMP	Polycarbonate foot kit with 4 screws and 4 feet	AM4-NUFS
16x14 thru 20x10	AMU / AMP	Polycarbonate foot kit with 4 screws and 4 feet	AM4-NULFS
42"	Control XL	Fiberglass (FRP) foot kit with 4 screws and 4 feet	AM4-NXLFS



AM4-NUFS



AM4-NLFS

## PANEL SCREW KITS / NONMETALLIC HINGE CLIPS

- Used with all enclosure options featuring back panel options
- Four (4) plated carbon steel screws with universal panheads
- POLYLINE® nonmetallic hinge clips available in 2-pack, and are field installable

Size Range	Used With	Kit Description	Part #
6x6 thru 20x16	JIC	Plated carbon steel back panel screw kit (#10-32)	AM4-NPS
24x20 thru 30x24	Control	Plated carbon steel back panel 4 screw kit (3/8-16)	AM4-NLPS
24x20 thru 30x24	Control	Plated carbon steel back panel 6 screw kit (3/8-16)	AM6-NLPS
16" thru 18"	Polyline®	Polycarbonate hinge clip kit (2 pack)	AMPHINGECLIP



AM4-NPS



AMPHINGECLIP

# PART NUMBER INDEX

\*\*Blue text indicates new part number

Catalog #	Page	Catalog #	Page	Catalog #	Page	Catalog #	Page	Catalog #	Page
5308901	148	AM1224RLW	55	AM1868RW	47	AM4-NFS	149	AMHMI120HTP	143
5308902	148	AM1224RT	57	AM1868T	39	AM4-NLFS	149	AMHMI120L	143
5308903	148	AM1224RTW	59	AM1868TW	41	AM4-NLPS	149	AMHMI138CX	141
7211487	148	AM1224RW	47	AM1868W	29	AM4-NPS	149	AMHMI142CCH	143
7211488	148	AM1224T	39	AM1PB	21	AM4-NUFS	149	AMHMI142CCHTP	143
7211486-50	148	AM1224TW	41	AM1PB22	21	AM4-NULFS	149	AMHMI142CCL	143
AM1084	27	AM1224W	29	AM2068	27	AM4-NXLFS	149	AMHMI142H	143
AM1084H	31	AM1226	27	AM2068H	31	AM4PB	21	AMHMI142HTP	143
AM1084HP9	25	AM1226H	31	AM2068HW	33	AM4PB22	21	AMHMI142L	143
AM1084HW	33	AM1226HW	33	AM2068L	35	AM4-PFSN	149	AMHMI164CCH	143
AM1084L	35	AM1226L	35	AM2068LW	37	AM603612L	77	AMHMI164CCHTP	143
AM1084LW	37	AM1226LW	37	AM2068R	45	AM603612L3PT	79	AMHMI164CCL	143
AM1084P9	23	AM1226R	45	AM2068RH	49	AM603616L	77	AMHMI164H	143
AM1084R	45	AM1226RH	49	AM2068RHW	51	AM603616L3PT	79	AMHMI164HTP	143
AM1084RH	49	AM1226RHW	51	AM2068RL	53	AM664	27	AMHMI164L	143
AM1084RHW	51	AM1226RL	53	AM2068RLW	55	AM664H	31	AMHMI66CX	141
AM1084RL	53	AM1226RLW	55	AM2068RT	57	AM664HP4	25	AMHMI95CX	141
AM1084RLW	55	AM1226RT	57	AM2068RTW	59	AM664HW	33	AMHMIPROP108	143
AM1084RT	57	AM1226RTW	59	AM2068RW	47	AM664L	35	AMHMIPROP120	143
AM1084RTW	59	AM1226RW	47	AM2068T	39	AM664LW	37	AMHMIPROP142	143
AM1084RW	47	AM1226T	39	AM2068TW	41	AM664P4	23	AMHMIPROP164	143
AM1084T	39	AM1226TW	47	AM2068W	29	AM664R	45	AMHMIPROP206	143
AM1084TW	41	AM1226W	29	AM24200R3PT	65	AM664RH	49	AMHMIPROP88	143
AM1084W	29	AM1426	27	AM24200RL	65	AM664RHW	51	AMHS050	144
AM1086	27	AM1426H	31	AM24200RLW	67	AM664RL	53	AMHS050-GY	144
AM1086H	31	AM1426HP25	25	AM24200RQT	65	AM664RLW	55	AMHS075	144
AM1086HP12	25	AM1426HW	33	AM24200RT	65	AM664RT	57	AMHS075-GY	144
AM1086HP9	25	AM1426L	35	AM24200RTW	71	AM664RTW	59	AMHS100	144
AM1086HW	33	AM1426LW	37	AM24208R3PT	65	AM664RW	47	AMHS100-GY	144
AM1086L	35	AM1426P25	23	AM24208RL	65	AM664T	39	AMHS125	144
AM1086LW	37	AM1426R	45	AM24208RLW	67	AM664TW	41	AMHS125-GY	144
AM1086P12	23	AM1426RH	49	AM24208RQT	65	AM664W	29	AMHS150	144
AM1086P9	23	AM1426RHW	51	AM24208RT	69	AM6-NLPS	149	AMHS150-GY	144
AM1086R	45	AM1426RL	53	AM24208RTW	71	AM722525FS	83	AMHS200	144
AM1086RH	49	AM1426RLW	55	AM24240R3PT	65	AM724925FSDD	85	AMHS200-GY	144
AM1086RHW	51	AM1426RT	57	AM24240RL	65	AM743	19	AMHS250	144
AM1086RL	53	AM1426RTW	59	AM24240RLW	67	AM743SF	19	AMHS250-GY	144
AM1086RLW	55	AM1426RW	47	AM24240RQT	65	AM864	27	AMHS300	144
AM1086RT	57	AM14240T	39	AM24240RT	69	AM864H	31	AMHS300-GY	144
AM1086RTW	59	AM1426TW	41	AM24240RTW	71	AM864HP6	25	AMHS350	144
AM1086RW	47	AM1426W	29	AM24248R3PT	65	AM864HW	33	AMHS350-GY	144
AM1086T	39	AM1648	27	AM24248RL	65	AM864L	35	AMHS400	144
AM1086TW	41	AM1648H	31	AM24248RLW	67	AM864LW	37	AMHS400-GY	144
AM1086W	29	AM1648HP30	25	AM24248RQT	65	AM864P6	23	AMHSPL	144
AM1206	27	AM1648HW	33	AM24248RT	69	AM864R	45	AMHSPL-GY	144
AM1206H	31	AM1648L	35	AM24248RTW	71	AM864RH	49	AMHSPL-S	144
AM1206HP16	25	AM1648LW	37	AM2PB	21	AM864RHW	51	AMHSPL-SGY	144
AM1206HP20	25	AM1648P30	23	AM2PB22	21	AM864RL	53	AMKEYLOCKFC	146
AM1206HW	33	AM1648R	45	AM30240R3PT	65	AM864RLW	55	AMKEYLOCKRC	146
AM1206L	35	AM1648RH	49	AM30240RL	65	AM864RT	57	AMKEYLOCKRCHFP	146
AM1206LW	37	AM1648RHW	51	AM30240RLW	67	AM864RTW	59	AMP1082	121
AM1206P16	23	AM1648RL	53	AM30240RQT	65	AM864RW	47	AMP1082CC	123
AM1206P20	23	AM1648RLW	55	AM30240RT	69	AM864T	39	AMP1082CCF	123
AM1206R	45	AM1648RT	57	AM30240RTW	71	AM864TW	41	AMP1082CCH	127
AM1206RH	49	AM1648RTW	59	AM30248R3PT	61	AM864W	29	AMP1082CCHF	127
AM1206RHW	51	AM1648RW	47	AM30248R3PT	69	AM943	19	AMP1082CCL	135
AM1206RL	53	AM1648T	39	AM30248RL	65	AM943SF	19	AMP1082CCLF	135
AM1206RLW	55	AM1648TW	41	AM30248RLW	67	AMEC3630123PT	81	AMP1082F	121
AM1206RT	57	AM1648W	29	AM30248RQT	65	AMEC3630123PTW	81	AMP1082H	125
AM1206RtW	59	AM1868	27	AM30248RT	69	AMEC363012T	81	AMP1082HF	125
AM1206RW	47	AM1868H	31	AM30248RTW	71	AMEC363012TW	81	AMP1082L	133
AM1206T	39	AM1868HP42	25	AM363016L	77	AMHD1860RLF	61	AMP1082LF	133
AM1206TW	41	AM1868HW	33	AM363016L3PT	79	AMHDL001	146	AMP1084	121
AM1206W	29	AM1868L	35	AM363612L	77	AMHMI108CCH	143	AMP1084CC	123
AM1224	27	AM1868LW	37	AM363612L3PT	79	AMHMI108CCHTP	143	AMP1084CCF	123
AM1224H	31	AM1868P42	23	AM363616L	77	AMHMI108CCL	143	AMP1084CCH	127
AM1224HW	33	AM1868R	45	AM363616L3PT	79	AMHMI108H	143	AMP1084CCHF	127
AM1224L	35	AM1868RH	49	AM3PB	21	AMHMI108HTP	143	AMP1084CCL	135
AM1224LW	37	AM1868RHW	51	AM3PB22	21	AMHMI108L	143	AMP1084CCLF	135
AM1224R	45	AM1868RL	53	AM483612L	77	AMHMI120CCH	143	AMP1084CCNL	131
AM1224RH	49	AM1868RLW	55	AM483612L3PT	79	AMHMI120CCHTP	143	AMP1084CCNLF	131
AM1224RHW	51	AM1868RT	57	AM483616L	77	AMHMI120CCL	143	AMP1084F	121
AM1224RL	53	AM1868RTW	59	AM483616L3PT	79	AMHMI120H	143	AMP1084H	125





\*\*Blue text indicates new part number

Catalog #	Page	Catalog #	Page	Catalog #	Page	Catalog #	Page	Catalog #	Page
AMP1084HF	125	AMP1648CCHF	127	AMP884LF	133	AMU1086TW	115	AMU1648CCT	117
AMP1084L	133	AMP1648CCL	135	AMP884NL	129	AMU1086TWF	115	AMU1648CCTF	117
AMP1084LF	133	AMP1648CCLF	135	AMP884NLF	129	AMU1086W	91	AMU1648F	89
AMP1084NL	129	AMP1648CCNL	131	AMPFA1000	147	AMU1086WF	91	AMU1648H	95
AMP1084NLF	129	AMP1648CCNLF	131	AMPFA2000	147	AMU1206	89	AMU1648HF	95
AMP1086	121	AMP1648F	121	AMPFA3000	147	AMU1206CC	93	AMU1648HW	97
AMP1086CC	123	AMP1648H	125	AMPHINGECLIP	149	AMU1206CCF	93	AMU1648HWF	97
AMP1086CCF	123	AMP1648HF	125	AMPOLEMNT10	145	AMU1206CCH	101	AMU1648L	101
AMP1086CCH	127	AMP1648L	133	AMPOLEMNT12	145	AMU1206CCHF	101	AMU1648LF	101
AMP1086CCHF	127	AMP1648LF	133	AMPOLEMNT14	145	AMU1206CCL	105	AMU1648LW	103
AMP1086CCL	135	AMP1648NL	129	AMPOLEMNT16	145	AMU1206CCLF	105	AMU1648LWF	103
AMP1086CCLF	135	AMP1648NLF	129	AMPOLEMNT20	145	AMU1206CCNL	111	AMU1648NL	107
AMP1086CCNL	131	AMP1860	121	AMPOLEMNT24	145	AMU1206CCNLF	111	AMU1648NLF	107
AMP1086CCNLF	131	AMP1860CC	123	AMPOLEMNT6	145	AMU1206CCT	117	AMU1648NLW	109
AMP1086F	121	AMP1860CCF	123	AMPOLEMNT8	145	AMU1206CCTF	117	AMU1648NLWF	109
AMP1086H	125	AMP1860CCH	127	AMPOLEMNTTEMP	145	AMU1206F	89	AMU1648T	113
AMP1086HF	125	AMP1860CCHF	127	AMPREINTPOCKET	147	AMU1206H	95	AMU1648TF	113
AMP1086L	133	AMP1860CCL	135	AMU1084	89	AMU1206HF	95	AMU1648TW	115
AMP1086LF	133	AMP1860CCLF	135	AMU1084CC	93	AMU1206HW	97	AMU1648TWF	115
AMP1086NL	129	AMP1860CCNL	131	AMU1084CCF	93	AMU1206HWF	97	AMU1648W	91
AMP1086NLF	129	AMP1860CCNLF	131	AMU1084CCH	99	AMU1206L	101	AMU1648WF	91
AMP1204	121	AMP1860F	121	AMU1084CCHF	99	AMU1206LF	101	AMU1860	89
AMP1204CC	123	AMP1860H	125	AMU1084CCL	105	AMU1206LW	103	AMU1860F	89
AMP1204CCF	123	AMP1860HF	125	AMU1084CCLF	105	AMU1206LWF	103	AMU1860H	95
AMP1204CCH	127	AMP1860L	133	AMU1084CCNL	111	AMU1206NL	107	AMU1860HF	95
AMP1204CCHF	127	AMP1860LF	133	AMU1084CCNLF	111	AMU1206NLF	107	AMU1860HW	97
AMP1204CCL	135	AMP1860NL	129	AMU1084CCT	117	AMU1206NLW	109	AMU1860HWF	97
AMP1204CCLF	135	AMP1860NLF	129	AMU1084CCTF	117	AMU1206NLWF	109	AMU1860L	101
AMP1204CCNL	131	AMP664	121	AMP664	89	AMU1206T	113	AMU1860LF	101
AMP1204CCNLF	131	AMP664CC	123	AMU1084H	95	AMU1206TF	113	AMU1860LW	103
AMP1204F	121	AMP664CCF	123	AMU1084HF	95	AMU1206TW	115	AMU1860LWF	103
AMP1204H	125	AMP664CCH	127	AMU1084HW	97	AMU1206TWF	115	AMU1860NL	107
AMP1204HF	125	AMP664CCHF	127	AMU1084HWF	97	AMU1206W	91	AMU1860NLF	107
AMP1204L	133	AMP664CCL	135	AMU1084L	101	AMU1206WF	91	AMU1860NLW	109
AMP1204LF	133	AMP664CCLF	135	AMU1084LF	101	AMU1426	89	AMU1860NLWF	109
AMP1204NL	129	AMP664CCNL	131	AMU1084LW	103	AMU1426CC	93	AMU1860T	113
AMP1204NLF	129	AMP664CCNLF	131	AMU1084LWF	103	AMU1426CCF	93	AMU1860TF	113
AMP1206	121	AMP664F	121	AMU1084NL	103	AMU1426CCH	99	AMU1860TW	115
AMP1206CC	123	AMP664H	125	AMU1084NLF	103	AMU1426CCHF	99	AMU1860TWF	115
AMP1206CCF	123	AMP664HF	125	AMU1084NLW	108	AMU1426CCL	105	AMU1860W	91
AMP1206CCH	127	AMP664L	133	AMU1084NLWF	108	AMU1426CCLF	105	AMU1860WF	91
AMP1206CCHF	127	AMP664LF	133	AMU1084T	113	AMU1426CCNL	111	AMU2060	89
AMP1206CCL	135	AMP664NL	129	AMU1084TF	113	AMU1426CCNLF	111	AMU2060CC	103
AMP1206CCLF	135	AMP664NLF	129	AMU1084TW	115	AMU1426CCT	117	AMU2060CCF	103
AMP1206CCNL	131	AMP864	121	AMU1084TWF	115	AMU1426CCTF	117	AMU2060CCH	99
AMP1206CCNLF	131	AMP864CC	123	AMU1084W	91	AMU1426F	89	AMU2060CCHF	99
AMP1206F	121	AMP864CCF	123	AMU1084WF	91	AMU1426H	95	AMU2060CCL	105
AMP1206H	125	AMP864CCH	127	AMU1086	89	AMU1426HF	95	AMU2060CCLF	105
AMP1206HF	125	AMP864CCHF	127	AMU1086CC	93	AMU1426HW	97	AMU2060CCNL	111
AMP1206L	133	AMP864CCL	135	AMU1086CCF	93	AMU1426HWF	97	AMU2060CCNLF	111
AMP1206LF	133	AMP864CCLF	135	AMU1086CCH	99	AMU1426L	101	AMU2060CCT	117
AMP1206NL	129	AMP864CCNL	131	AMU1086CCHF	99	AMU1426LF	101	AMU2060CCTF	117
AMP1206NLF	129	AMP864CCNLF	131	AMU1086CCL	105	AMU1426LW	103	AMU2060F	89
AMP1426	121	AMP864F	121	AMU1086CCLF	105	AMU1426LWF	103	AMU2060H	95
AMP1426CC	123	AMP864H	125	AMU1086CCNL	111	AMU1426NL	107	AMU2060HF	95
AMP1426CCF	123	AMP864HF	125	AMU1086CCNLF	111	AMU1426NLF	107	AMU2060HW	97
AMP1426CCH	127	AMP864L	133	AMU1086CCT	117	AMU1426NLW	109	AMU2060HWF	97
AMP1426CCHF	127	AMP864LF	133	AMU1086CCTF	117	AMU1426NLWF	109	AMU2060L	101
AMP1426CCL	135	AMP864NL	129	AMU1086F	89	AMU1426T	113	AMU2060LF	101
AMP1426CCLF	135	AMP864NLF	129	AMU1086H	95	AMU1426TF	113	AMU2060LW	103
AMP1426CCNL	131	AMP884	121	AMU1086HF	95	AMU1426TW	115	AMU2060LWF	103
AMP1426CCNLF	131	AMP884CC	123	AMU1086HW	97	AMU1426TWF	115	AMU2060NL	107
AMP1426F	121	AMP884CCF	123	AMU1086HWF	97	AMU1426W	91	AMU2060NLF	107
AMP1426H	125	AMP884CCH	127	AMU1086L	101	AMU1426WF	91	AMU2060NLW	109
AMP1426HF	125	AMP884CCHF	127	AMU1086LF	101	AMU1648	89	AMU2060NLWF	109
AMP1426L	133	AMP884CCL	135	AMU1086LW	103	AMU1648CC	93	AMU2060T	113
AMP1426LF	133	AMP884CCLF	135	AMU1086LWF	103	AMU1648CCF	93	AMU2060TF	113
AMP1426NL	129	AMP884CCNL	131	AMU1086NL	107	AMU1648CCH	99	AMU2060TW	115
AMP1426NLF	129	AMP884CCNLF	131	AMU1086NLF	107	AMU1648CCHF	99	AMU2060TWF	115
AMP1648	121	AMP884F	121	AMU1086NLW	109	AMU1648CCL	105	AMU2060W	91
AMP1648CC	123	AMP884H	125	AMU1086NLWF	109	AMU1648CCLF	105	AMU2060WF	91
AMP1648CCF	123	AMP884HF	125	AMU1086T	113	AMU1648CCNL	111	AMU664	89
AMP1648CCH	127	AMP884L	133	AMU1086TF	113	AMU1648CCNLF	111	AMU664CC	93

MODS  
TECHNICAL  
STANDARDS  
ULTRAGUARD®  
FIBERGLASS  
AM SERIES  
AM-R  
AMHD-R  
CONTROL  
EMPIRE  
ULTRALINE®  
POLYLINE®  
ACCESSORIES

INDEX

# PART NUMBER INDEX

\*\*Blue text indicates new part number

Catalog #	Page	Catalog #	Page	Catalog #	Page	Catalog #	Page	Catalog #	Page
AMU664CCF	93	HFP86	137	PL122	136				
AMU664CCH	99	HFP108	138, 139	PL142	136, 138				
AMU664CCHF	99	HFP120	138, 139	PL66	136, 138				
AMU664CCL	105	HFP142	138, 139	PL86	136, 138				
AMU664CCLF	105	HFP164	138, 139	PL88	138				
AMU664CCNL	111	HFP186	138, 139	PLA108	136, 138				
AMU664CCNLF	111	HFP66	138, 139	PLA120	136, 138				
AMU664CCT	117	HFP86	138, 139	PLA122	136				
AMU664CCTF	117	HFP88	138, 139	PLA142	136, 138				
AMU664F	89	HFP108	137	PLA66	136, 138				
AMU664H	95	HFP120	137	PLA86	136, 138				
AMU664HF	95	HFP142	137	PLA88	138				
AMU664HW	97	HFP164	137	PLPVC108	138				
AMU664HWF	97	HFP186	137	PLPVC120	138				
AMU664L	101	HFP206	137	PLPVC142	138				
AMU664LF	101	HFP66	137	PLPVC164	138				
AMU664LW	103	HFP86	137	PLPVC188	138				
AMU664LWF	103	LLK-H316	149	PLPVC66	138				
AMU664NL	107	LLKR-H316	149	PLPVC86	138				
AMU664NLF	107	LLPN-H	149	PLPVC88	138				
AMU664NLW	109	LLPS-H	149						
AMU664NLWF	109	LLRS-H	149						
AMU664T	113	LTK-H316	149						
AMU664TF	113	LTKR-H316	149						
AMU664TW	115	LTPS-H	149						
AMU664TWF	115	P164	136						
AMU664W	91	P186	136						
AMU664WF	91	P206	136						
AMU864	89	P2420	136						
AMU864CC	93	P2424	136						
AMU864CCF	93	P3024	136						
AMU864CCH	99	P3630CS	136						
AMU864CCHF	99	P3636CS	136						
AMU864CCL	105	P4836CS	136						
AMU864CCLF	105	P6036CS	136						
AMU864CCNL	111	P7225CS	83						
AMU864CCNLF	111	P7249CS	85						
AMU864CCT	117	PA164	136						
AMU864CCTF	117	PA186	136						
AMU864F	89	PA206	136						
AMU864H	95	PA2420	136						
AMU864HF	95	PA2424	136						
AMU864HW	97	PA3024	136						
AMU864HWF	97	PA74	136						
AMU864L	101	PA94	136						
AMU864LF	101	PF108	136						
AMU864LW	103	PF120	136						
AMU864LWF	103	PF122	136						
AMU864NL	107	PF142	136						
AMU864NLF	107	PF164	136						
AMU864NLW	109	PF186	136						
AMU864NLWF	109	PF206	136						
AMU864T	113	PF2420	136						
AMU864TF	113	PF2424	136						
AMU864TW	115	PF3024	136						
AMU864TWF	115	PF66	136						
AMU864W	91	PF74	136						
AMU864WF	91	PF86	136						
AMVENT4XLG	147	PF94	136						
AMVENTLG	147	PG108	136						
AMVENTSM	147	PG120	136						
AMXL403212L3PT	73	PG122	136						
HFP108	137	PG142	136						
HFP120	137	PG164	136						
HFP122	137	PG186	136						
HFP142	137	PG206	136						
HFP164	137	PG2420	136						
HFP186	137	PG2424	136						
HFP206	137	PG3024	136						
HFP2420	137	PG66	136						
HFP2424	137	PG86	136						
HFP3024	137	PL108	136, 138						
HFP66	137	PL120	136, 138						



**ALLIED  
MOULDED  
PRODUCTS, Inc.**

**YOUR TRUSTED SOURCE**  
NONMETALLIC ENCLOSURES & ACCESSORIES

# Share Your Success

We are looking to feature your successes in our customer success stories program, wall calendar, social media, and future Industrial Catalogs. If you have a picture of an Allied Moulded Enclosure being installed, already installed, or in a unique location please send it to [marketing@alliedmoulded.com](mailto:marketing@alliedmoulded.com) with a few details about the project. You can also share your photos with us on any social media platform using **#alliedmoulded**



## *Secure Enclosure for Fiber Optic Installer*

*Allied Moulded Success Story*



# Your Trusted Source

Allied Moulded Products, Inc. manufactures a complete line of corrosion and UV resistant NEMA Type 4X nonmetallic (fiberglass and polycarbonate) enclosures for indoor or outdoor industrial applications. The fiberglass reinforced polyester enclosures are manufactured with ULTRAGUARD®, a proprietary material formulation offering all the advantages of nonmetallic materials including: UL® listed, RoHS compliance, increased strength, reduced weight, corrosion resistance, non-conductivity, UV resistance and ease of installation. The polycarbonate enclosures are injection-molded with polycarbonate thermoplastic, offering many of the same great features as the fiberglass enclosures, with the option of a clear cover.

Allied Moulded Brand Names: POLYLINE®, ULTRALINE®, ULTRAGUARD®, ULTRAPLUG®

Enclosure Ratings: NEMA 4X, 6P, IP66, and IP68

Enclosure Series:

Pushbutton & JIC Sizes — AM, AMHD-R, AMP, AM-R, AMU

Cabinets & Freestanding Units — Control, Control XL & Empire



[www.alliedmoulded.com](http://www.alliedmoulded.com)



**ALLIED  
MOULDED  
PRODUCTS, Inc.**

222 North Union Street  
Bryan, OH 43506

Phone: 1-800-722-2679

Email: [sales@alliedmoulded.com](mailto:sales@alliedmoulded.com)

[www.alliedmoulded.com](http://www.alliedmoulded.com)

Follow us on social media!



Available Through: